



US00D625385S

(12) **United States Design Patent**
Rush

(10) **Patent No.:** **US D625,385 S**
(45) **Date of Patent:** **** Oct. 12, 2010**

(54) **FOOTBALL BAIT**

(76) Inventor: **Brad Rush**, 1803 Ruhl Rd., Kokomo, IN
(US) 46902

(**) Term: **14 Years**

(21) Appl. No.: **29/348,965**

(22) Filed: **Feb. 25, 2010**

(51) **LOC (9) Cl.** **22-05**

(52) **U.S. Cl.** **D22/132**

(58) **Field of Classification Search** D22/126-133;
43/42.13, 42.15, 42.16, 42.11, 42.24, 42.34,
43/42.28, 42.2, 42.17, 42.19, 42.39

See application file for complete search history.

(56) **References Cited**

U.S. PATENT DOCUMENTS

- 4,864,766 A 9/1989 Bohn
- 5,157,859 A 10/1992 Wirkus
- 5,245,783 A 9/1993 Cumiskey
- 5,983,554 A 11/1999 Storey
- D425,962 S * 5/2000 Tognacci et al. D22/132

- 6,772,553 B2 10/2004 Phillips et al.
- D498,287 S * 11/2004 West D22/132
- D540,417 S * 4/2007 Kunz D22/130

* cited by examiner

Primary Examiner—Catherine R Oliver
(74) *Attorney, Agent, or Firm*—Frank Lachenmaier

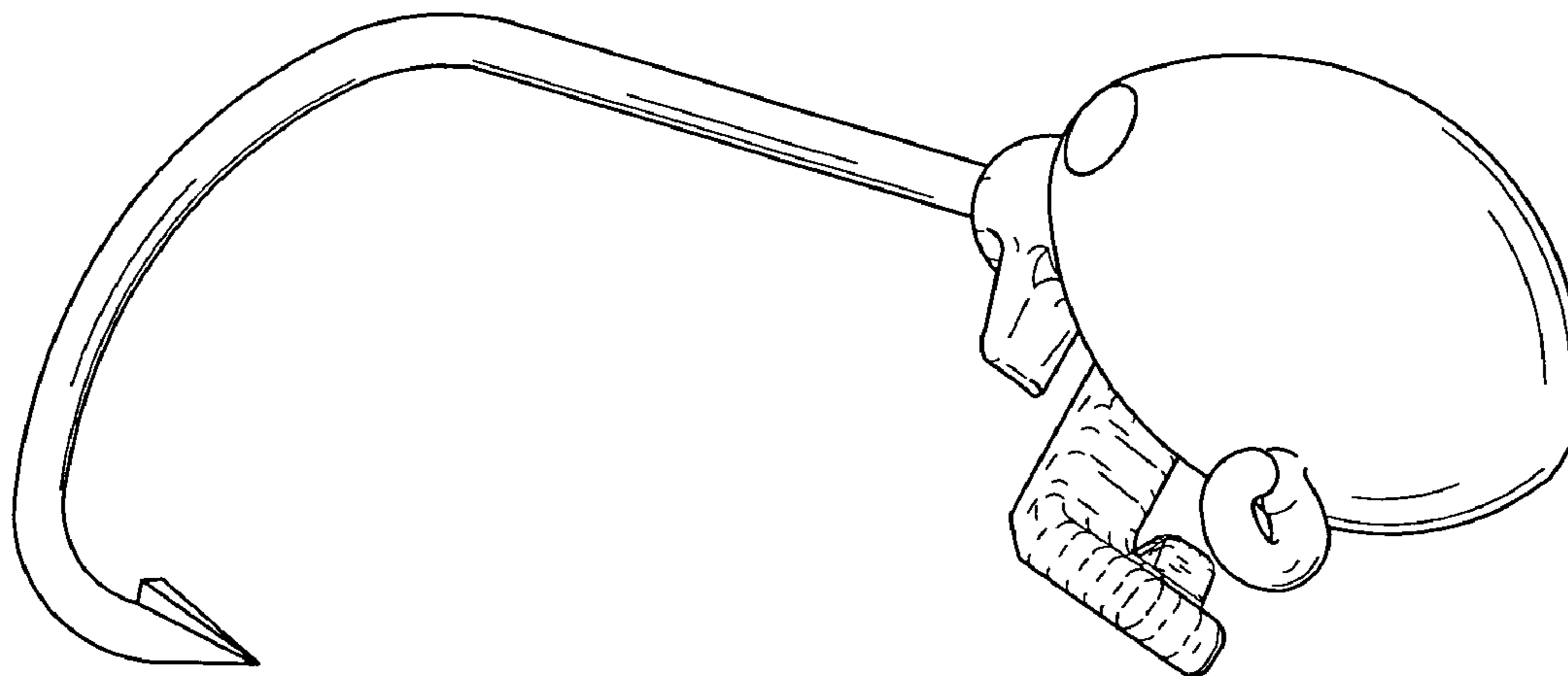
(57) **CLAIM**

The ornamental design for a football bait, as shown and described.

DESCRIPTION

FIG. 1 is a front bottom perspective view of football bait;
FIG. 2 is a right side view thereof where the left side is a mirror image of the right side;
FIG. 3 is a bottom view thereof;
FIG. 4 is a rear bottom perspective view thereof;
FIG. 5 is a front view thereof; and,
FIG. 6 is a rear view thereof.

1 Claim, 2 Drawing Sheets



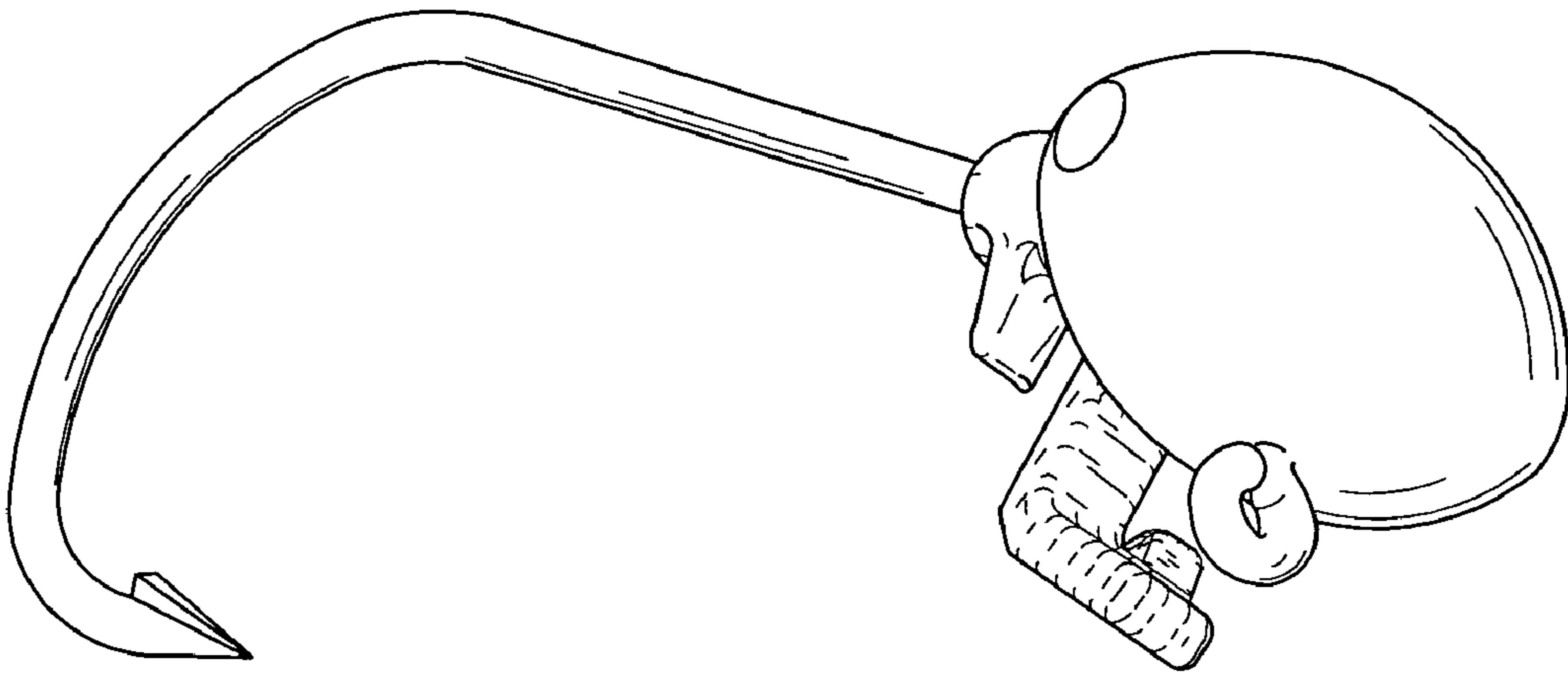


FIG 1

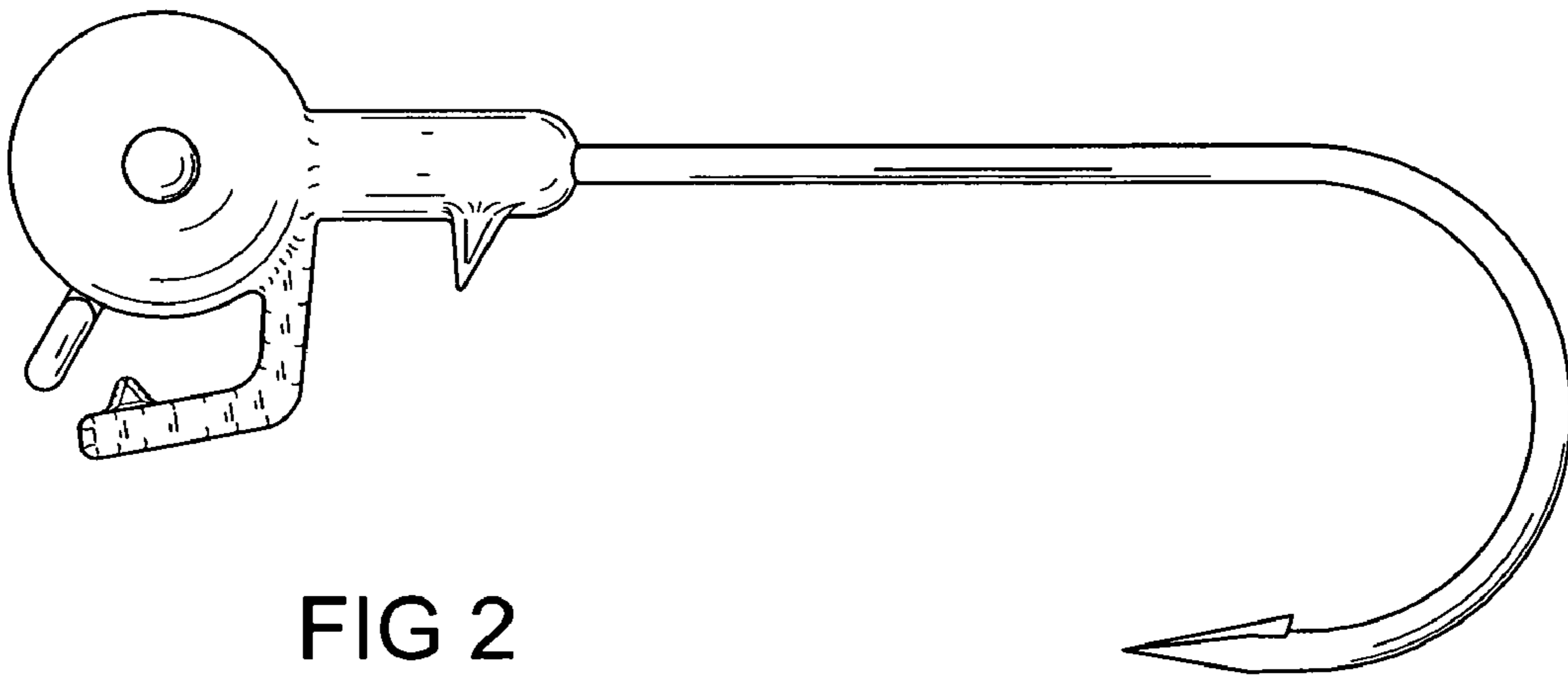


FIG 2

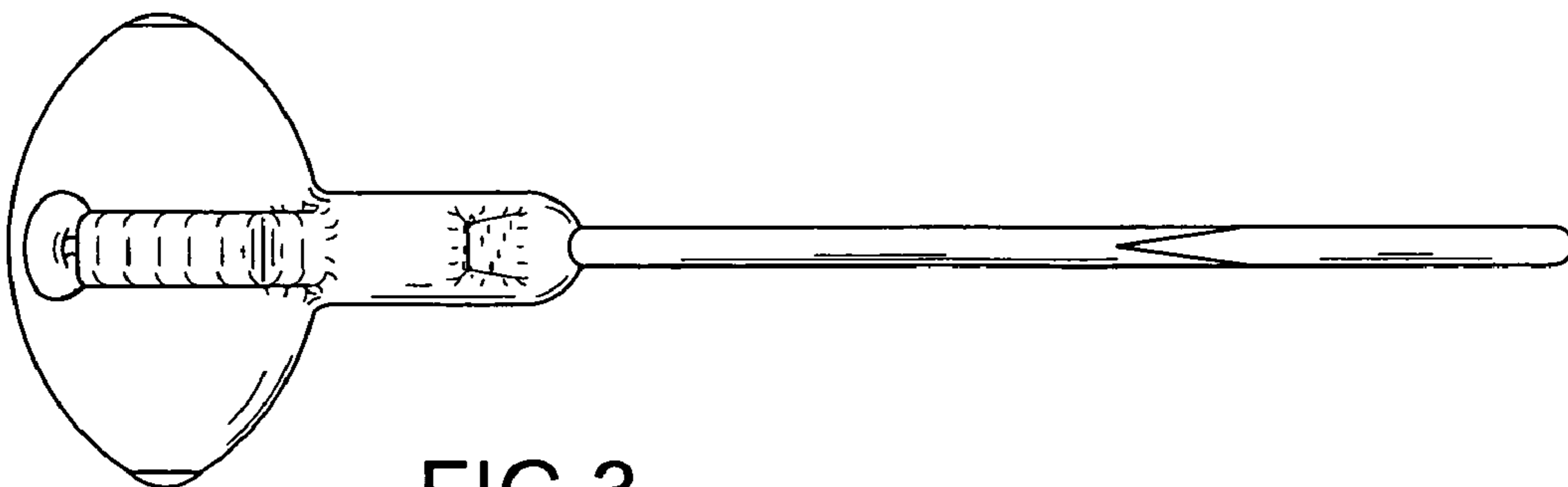


FIG 3

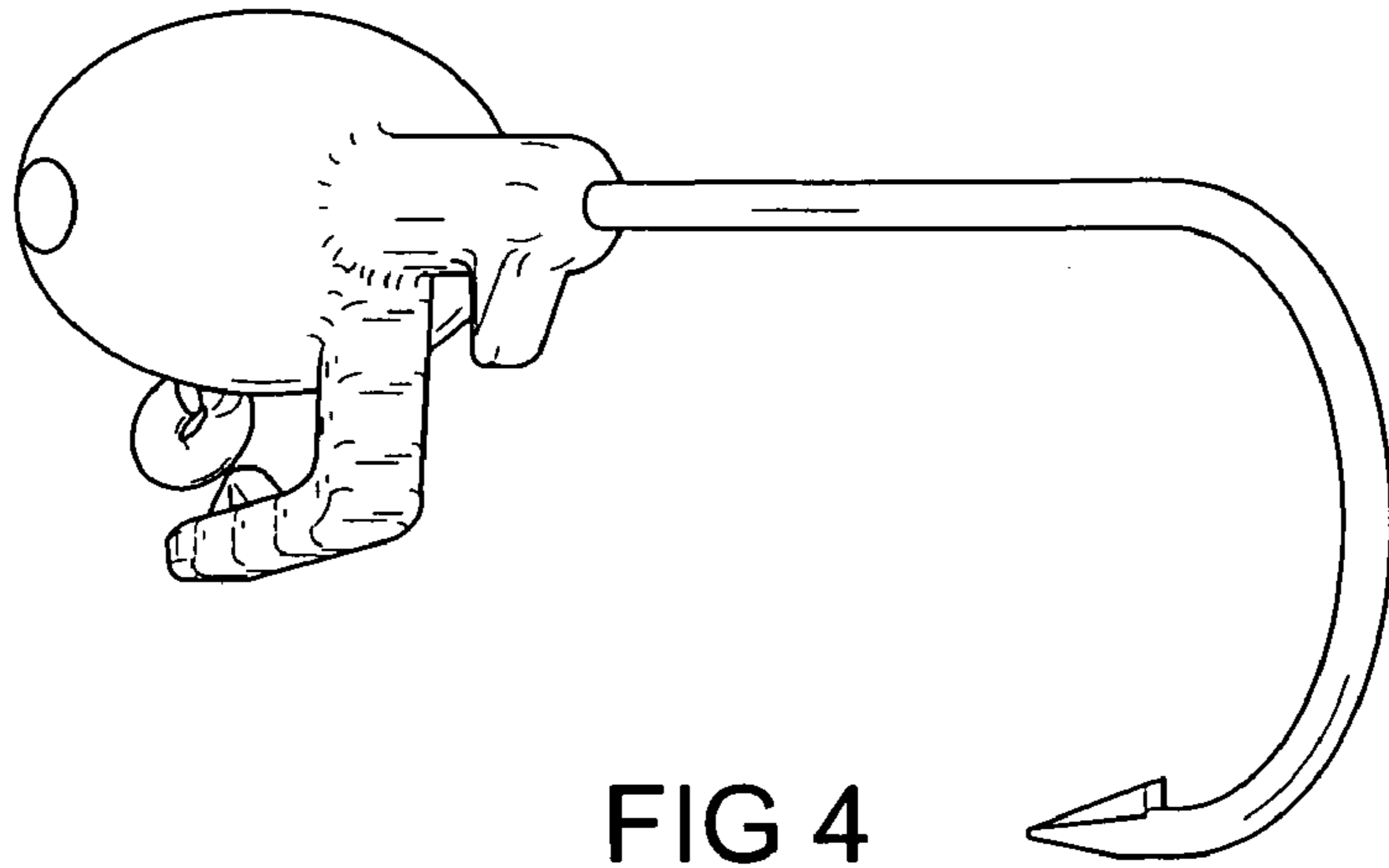


FIG 4

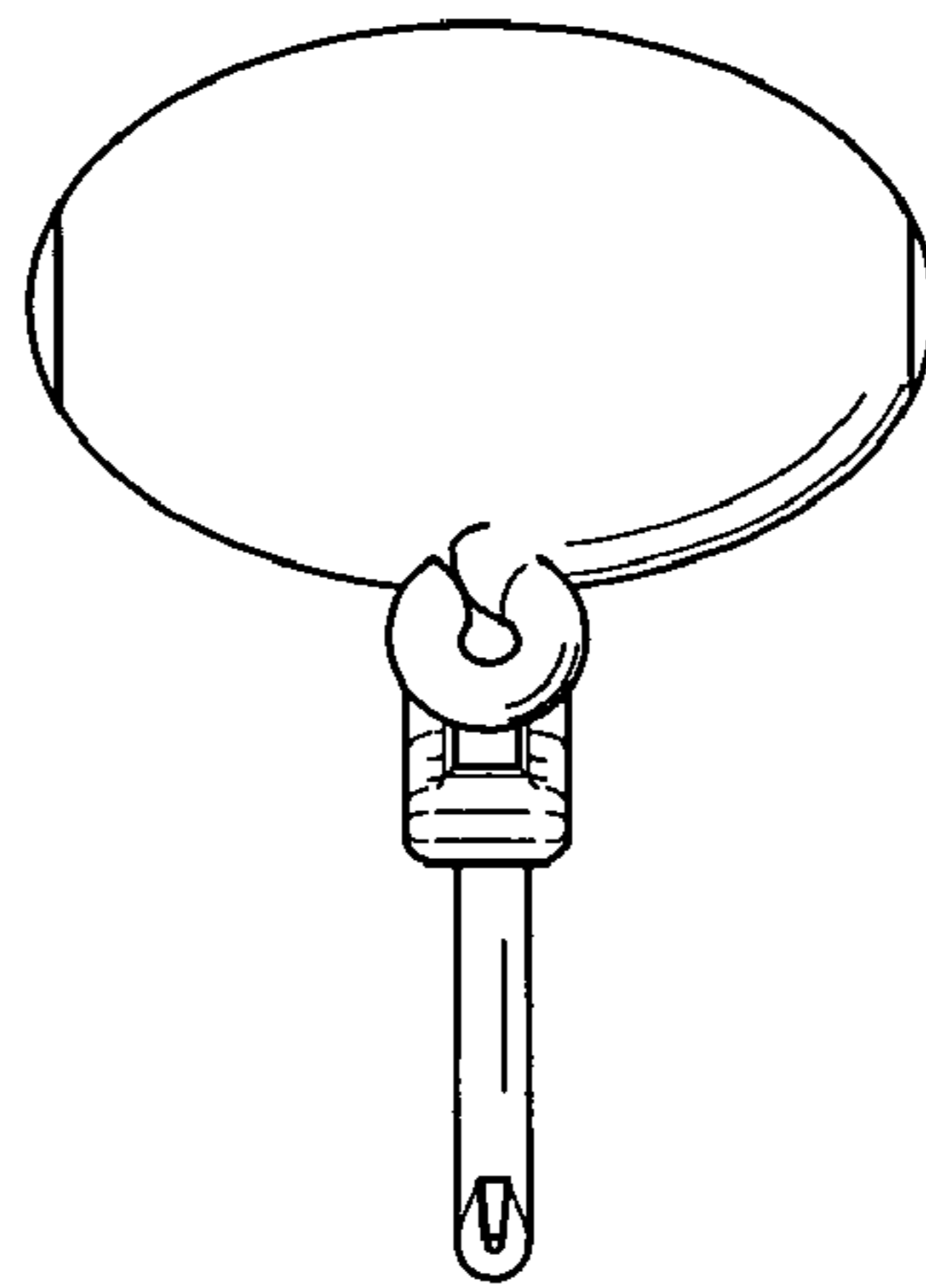


FIG 5

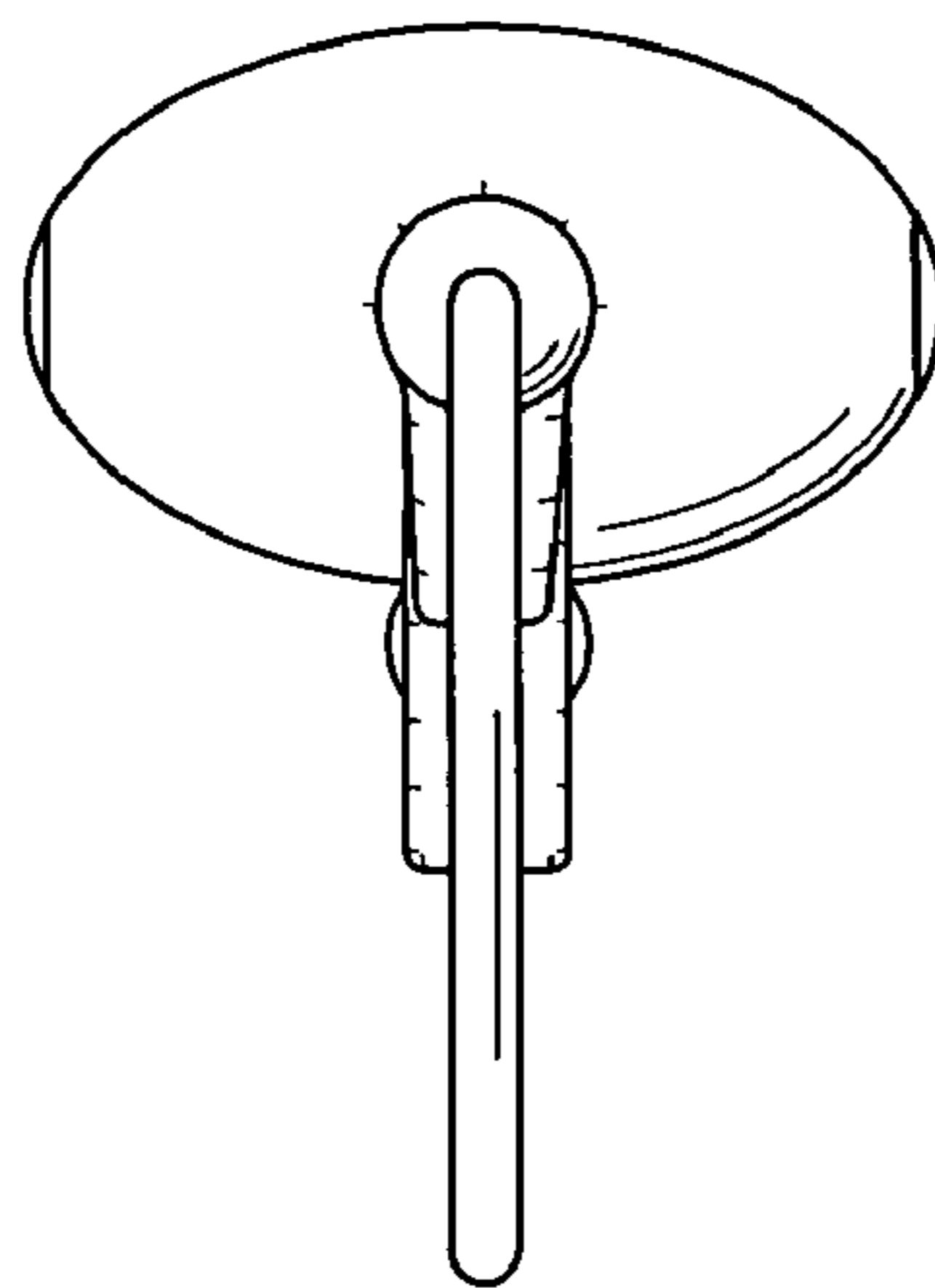


FIG 6