



US00D625381S

(12) **United States Design Patent**  
**Asaoka**

(10) **Patent No.:** **US D625,381 S**  
(45) **Date of Patent:** **\*\* Oct. 12, 2010**

(54) **BIRD REPELLING DEVICE**

**DESCRIPTION**

(76) Inventor: **Keiichiro Asaoka**, 8-8 Izumi-Cho,  
Atsugi City, KA (JP)

(\*\*) Term: **14 Years**

(21) Appl. No.: **29/312,648**

(22) Filed: **Nov. 3, 2008**

(51) **LOC (9) Cl.** ..... **22-06**

(52) **U.S. Cl.** ..... **D22/120**

(58) **Field of Classification Search** ..... D22/119-124;  
43/1-2, 58; 119/537, 713, 963, 174; D21/445;  
52/101; 174/138 R, 135; D11/165, 171-172  
See application file for complete search history.

(56) **References Cited**

**U.S. PATENT DOCUMENTS**

D388,151 S *	12/1997	Shaw	.....	D22/120
D404,107 S *	1/1999	Dimston	.....	D22/120
D534,236 S *	12/2006	Zecher	.....	D22/120
D546,410 S *	7/2007	Wiesener et al.	.....	D22/120
7,243,465 B2 *	7/2007	Donoho	.....	52/101
7,671,280 B1 *	3/2010	Fairchild	.....	174/138 R

\* cited by examiner

*Primary Examiner*—Catherine R Oliver

(74) *Attorney, Agent, or Firm*—Kirk A. Buhler; Buhler &  
Associates

(57) **CLAIM**

The ornamental design for a bird repelling device, as shown  
and described.

The patent or application file contains at least one drawing  
executed in color. Copies of this patent or patent application  
publication with color drawing(s) will be provided by the  
Office upon request and payment of the necessary fee.

FIG. 1 is a top, view for a bird repelling device shown in  
yellow and black showing my new design;

FIG. 2 is a top, view for said bird repelling device shown in  
black and white thereof;

FIG. 3 is a side view thereof with the remaining side views  
being the same;

FIG. 4 is a view with the device formed in a triangular bar  
thereof;

FIG. 5 is a view with the device formed in a half circle bar  
thereof;

FIG. 6 is a view with the device formed in a full circle bar with  
a hem thereof;

FIG. 7 is a view with the device formed in a windmill thereof;

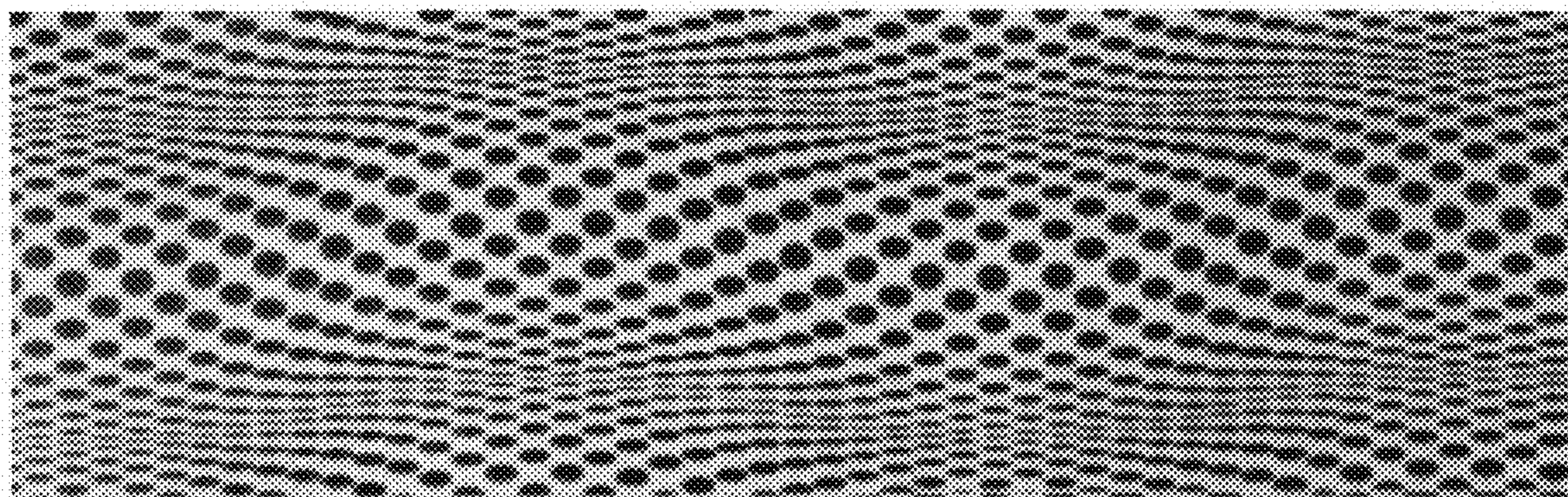
FIG. 8 is a perspective view of the device formed in a wind-  
sock thereof;

FIG. 9 is a perspective view of the device formed in a collec-  
tion of ribbon streamers thereof; and,

FIG. 10 is a perspective view of the device formed in a half  
circle on an "I" beam thereof.

The broken lines and or broken image(s) in FIGS. 4, 5, 6, 7, 8,  
9 and 10 depict environmental subject matter only and form  
no part of the claimed design.

**1 Claim, 4 Drawing Sheets**  
**(4 of 4 Drawing Sheet(s) Filed in Color)**



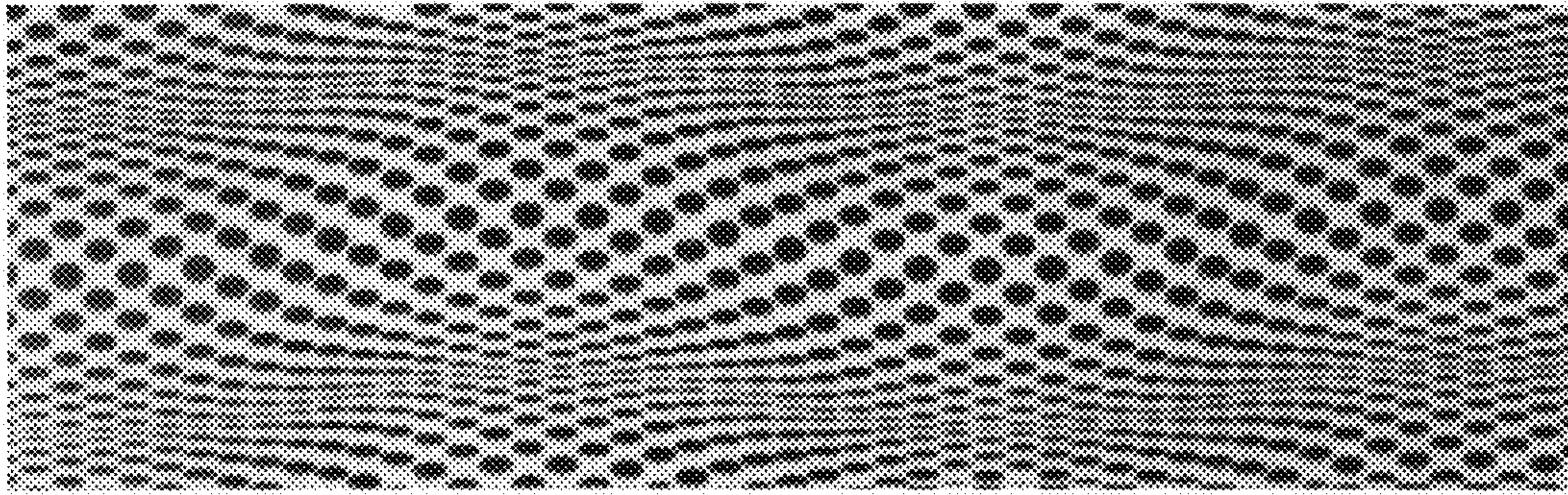


FIG. 1

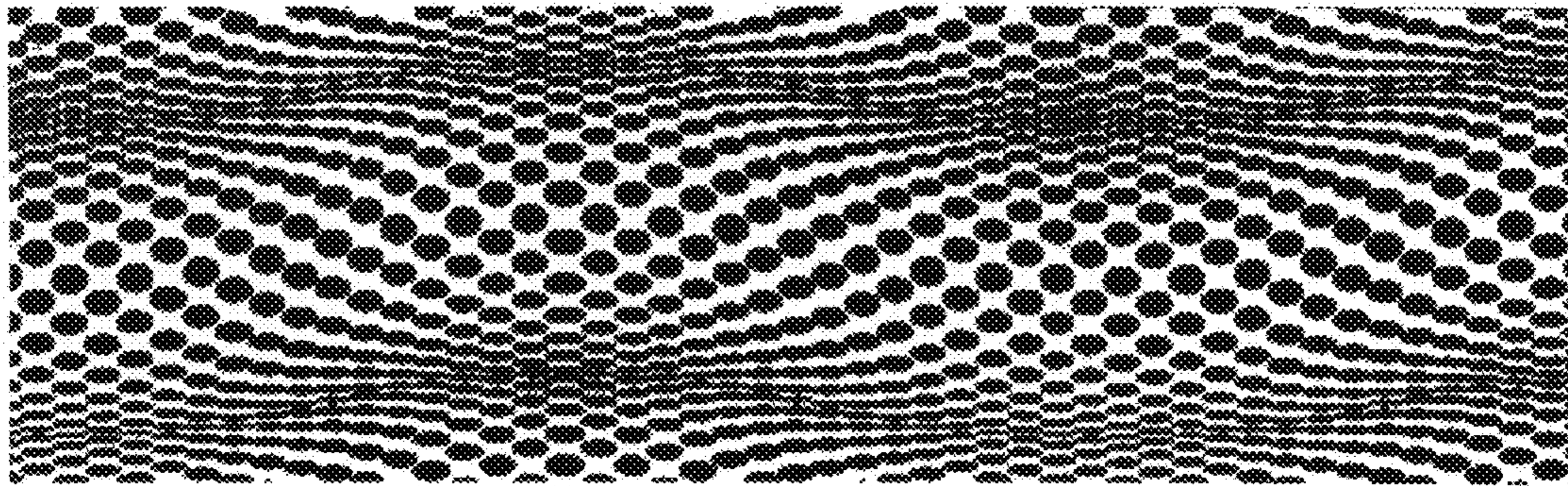
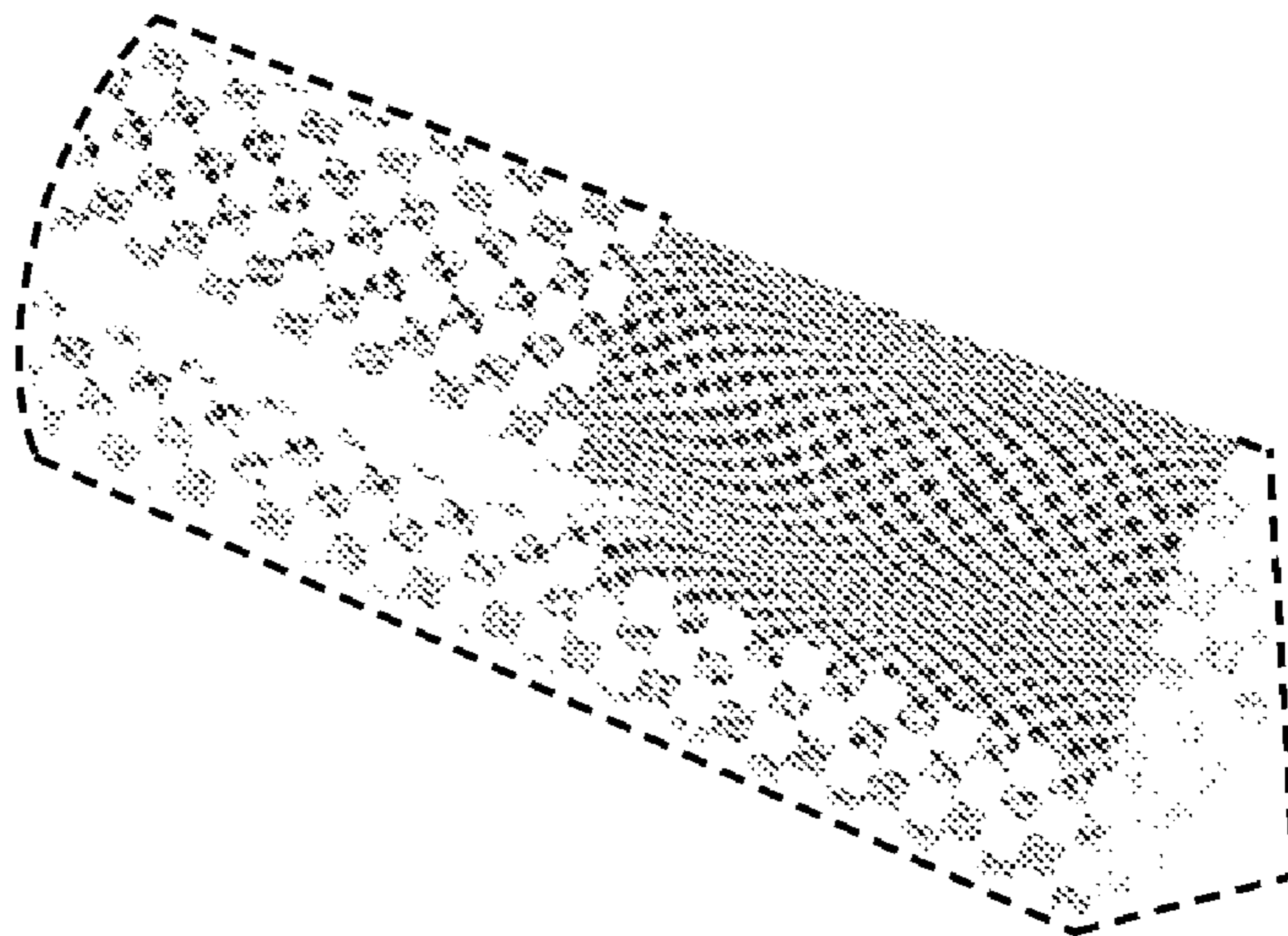


FIG. 2

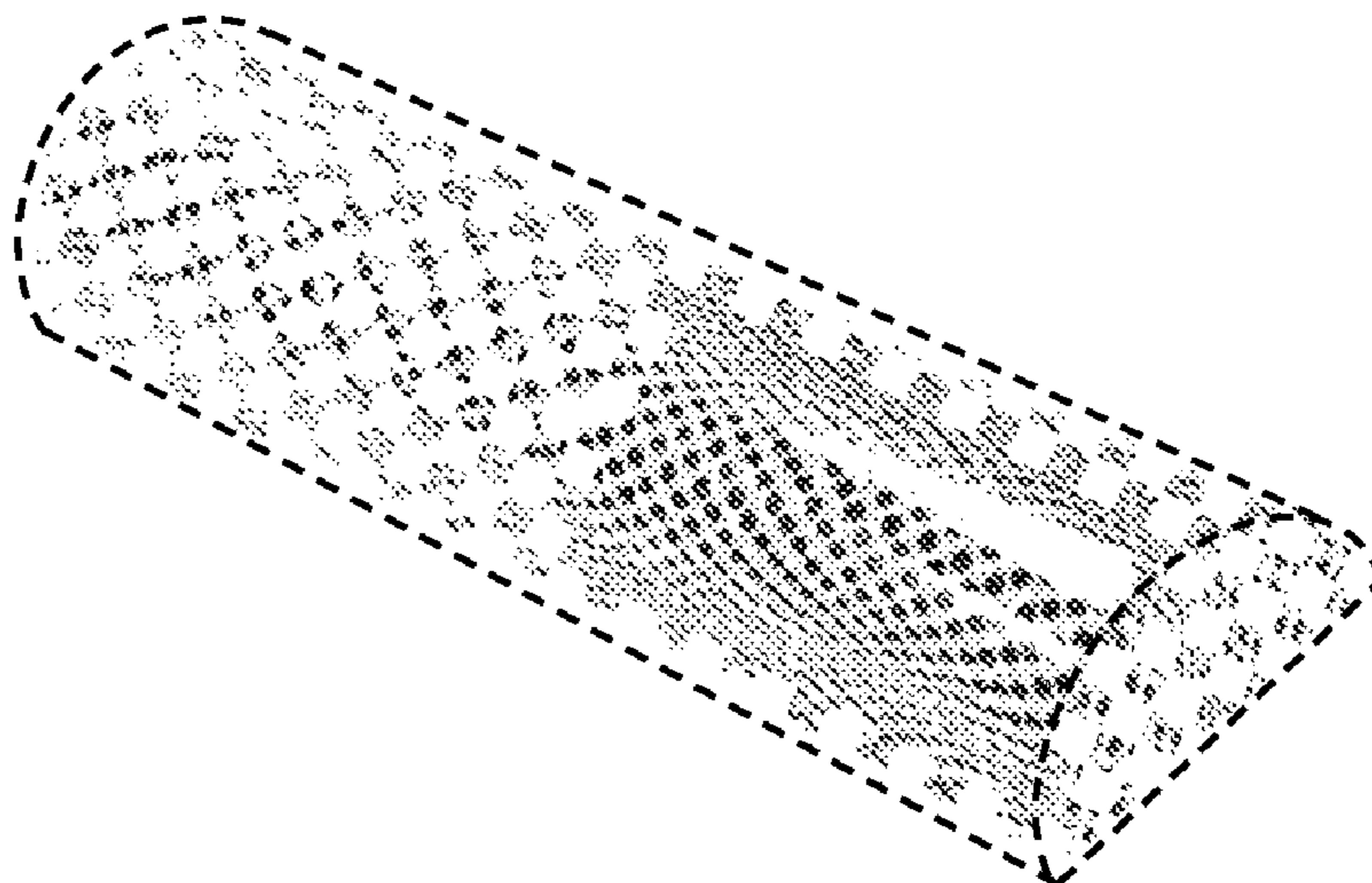
---

FIG. 3

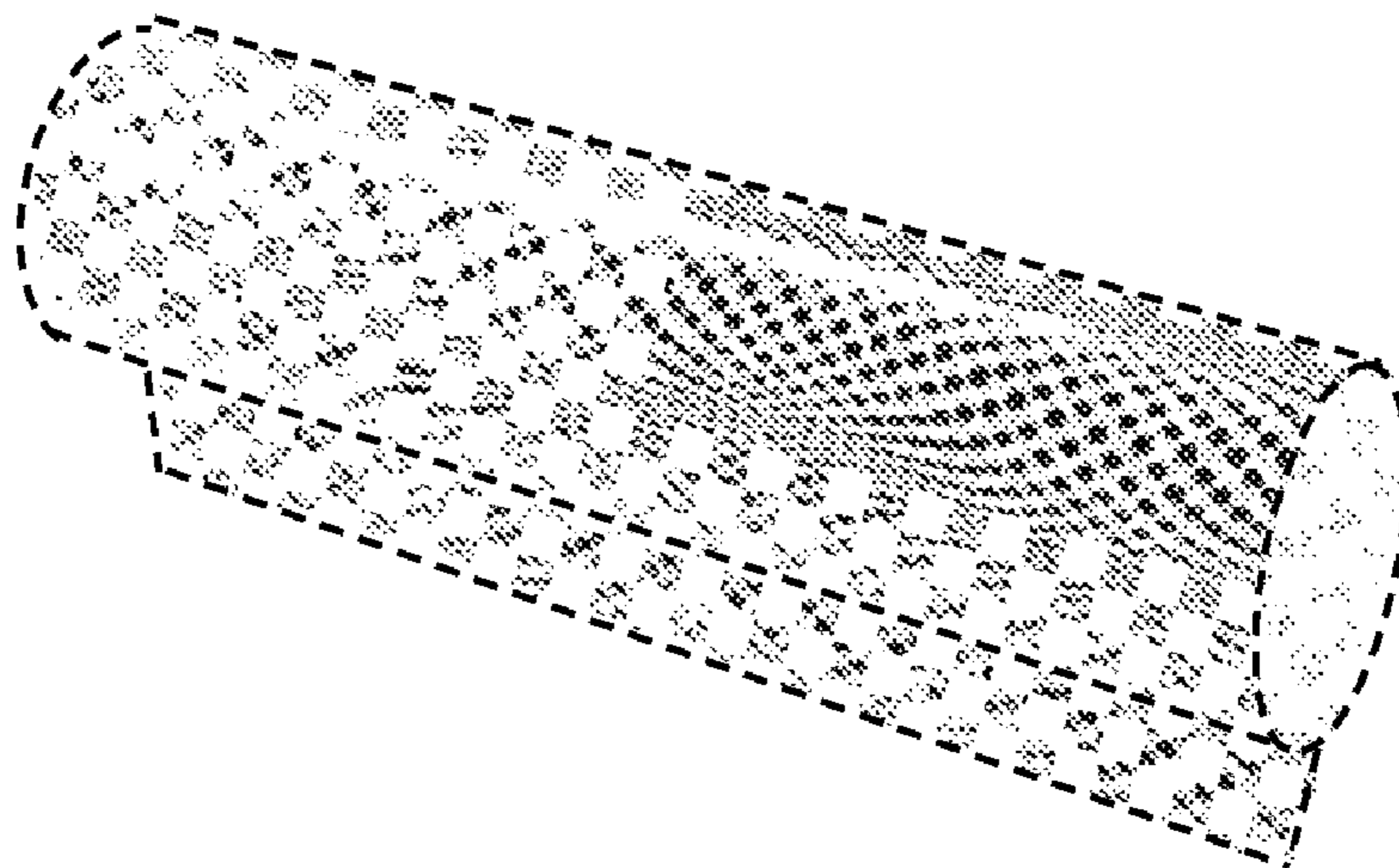
**FIG. 4**



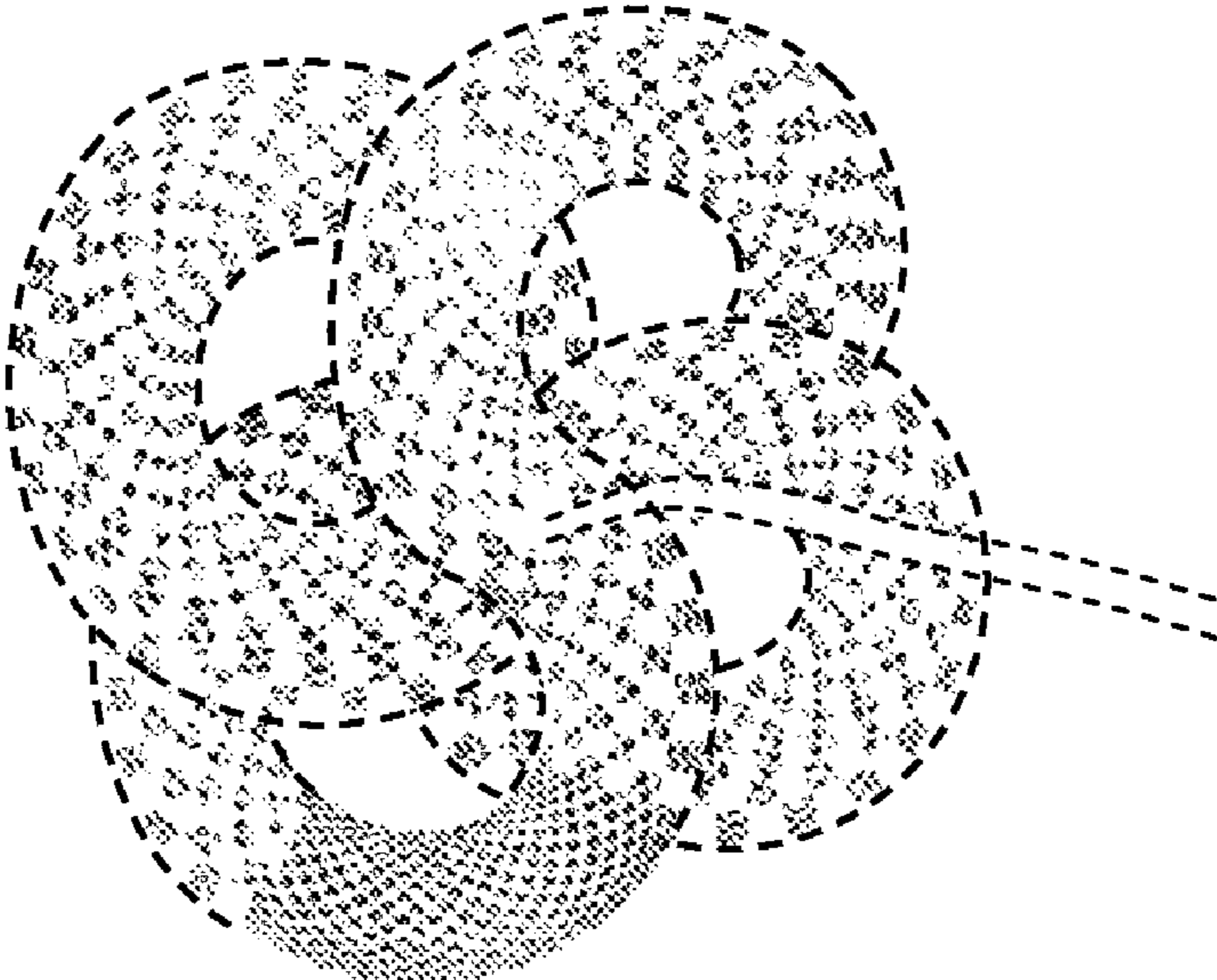
**FIG. 5**



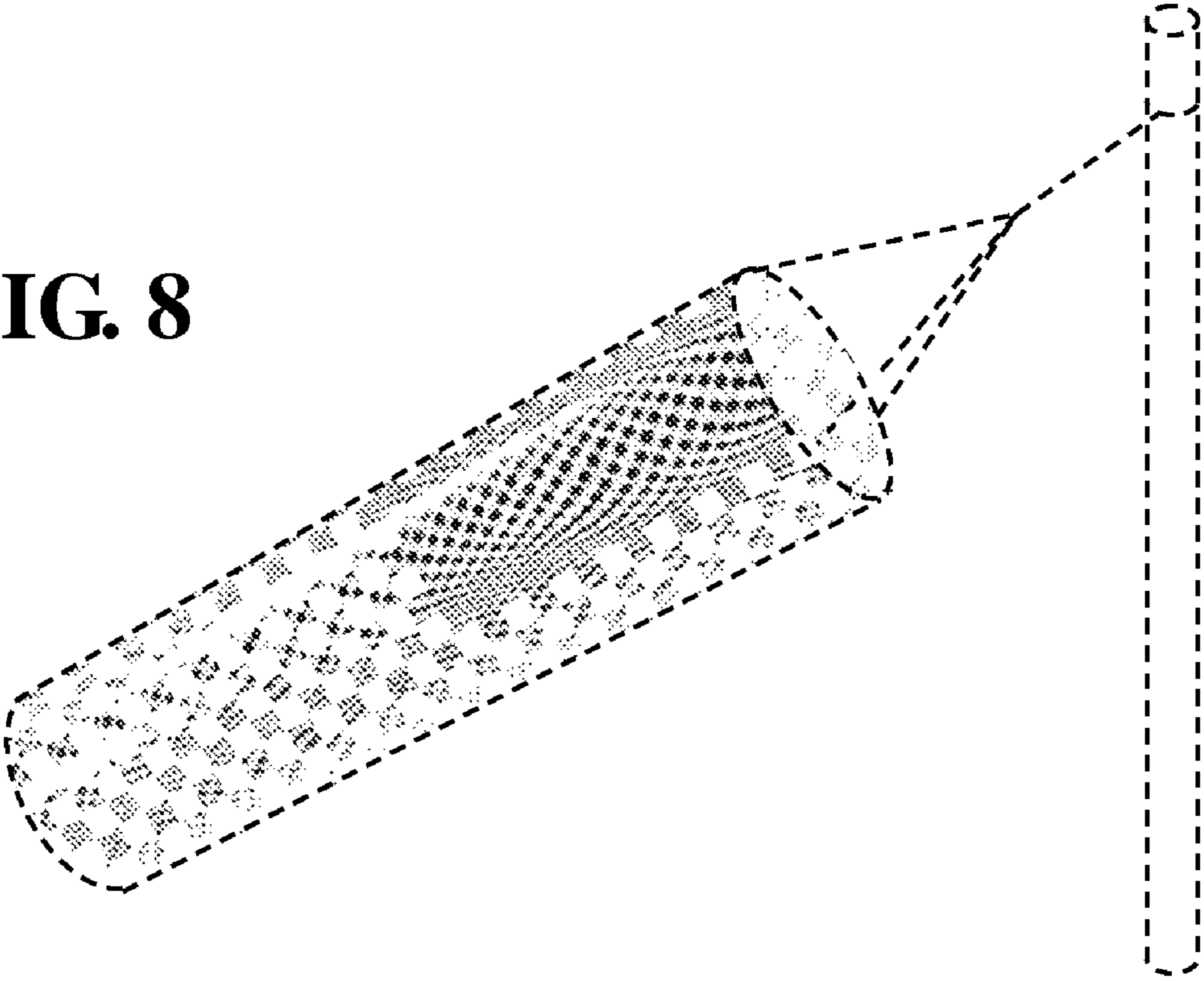
**FIG. 6**

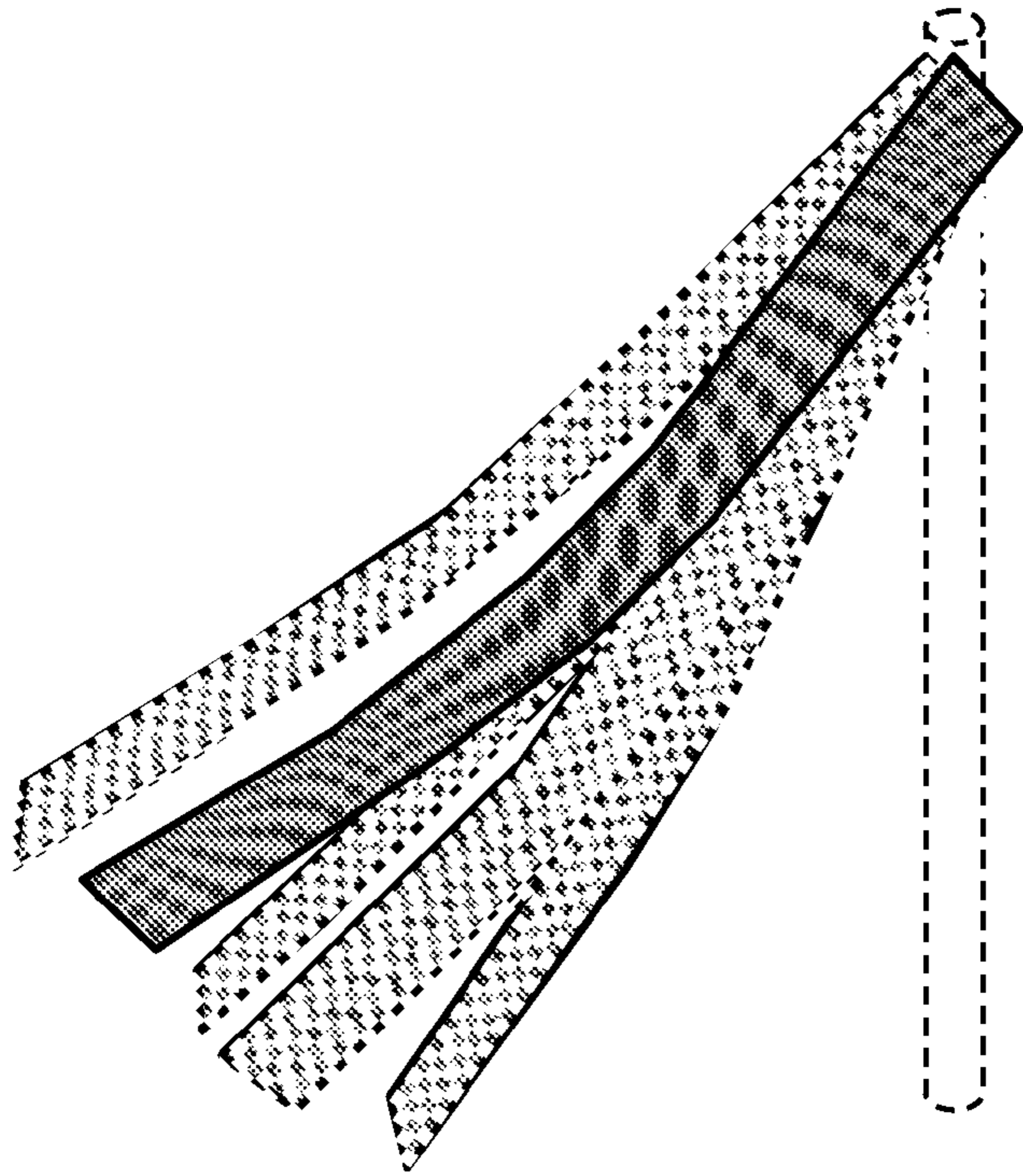


**FIG. 7**

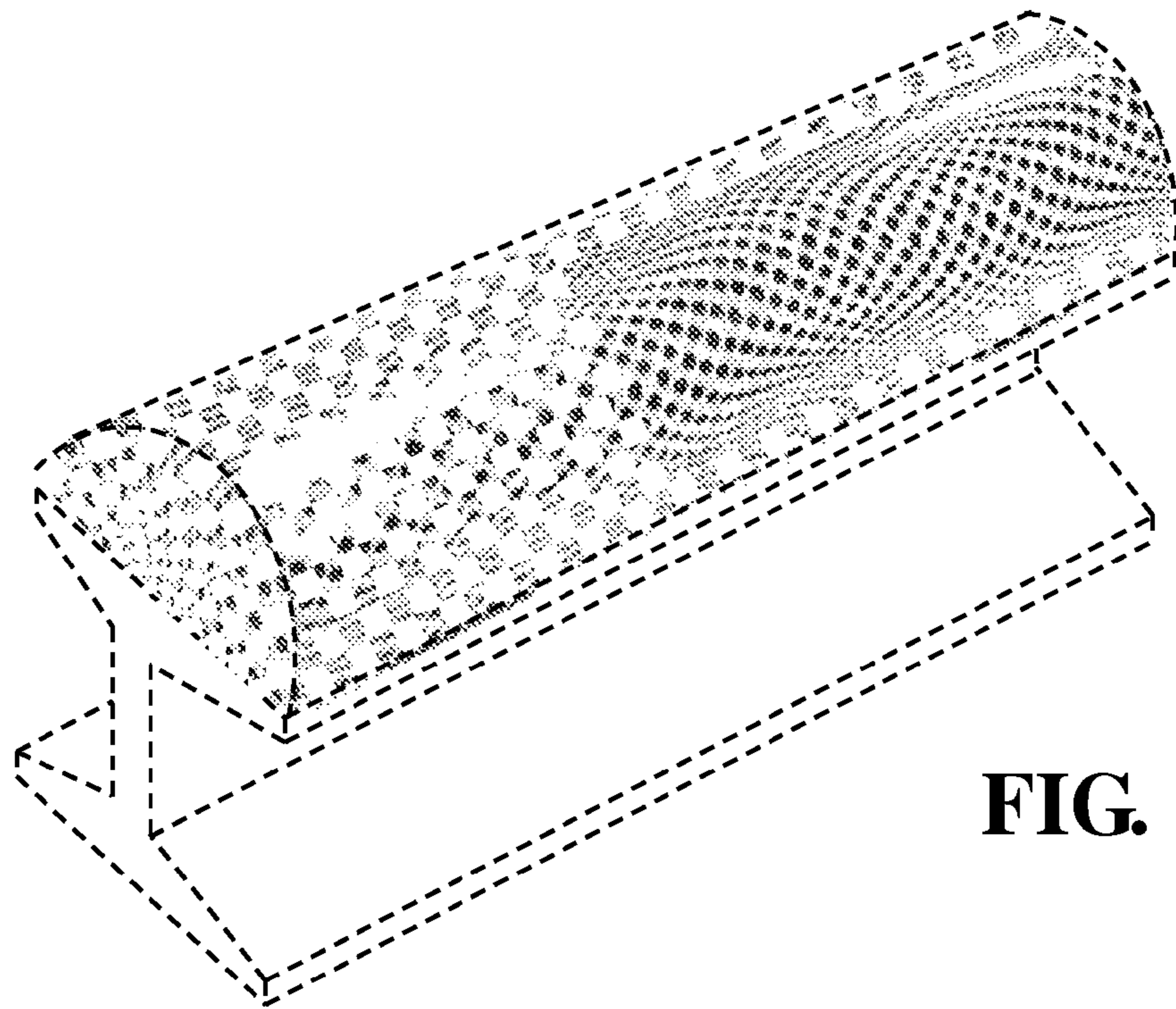


**FIG. 8**





**FIG. 9**



**FIG. 10**