



US00D625380S

(12) **United States Design Patent**  
**Walter et al.**

(10) **Patent No.:** **US D625,380 S**  
(45) **Date of Patent:** **\*\* Oct. 12, 2010**

(54) **AMMUNITION HAVING CASING WITH FINS**

D566,805 S \* 4/2008 Earl ..... D22/115

(75) Inventors: **Robert E. Walter**, Elk Grove Village, IL (US); **John Whitworth Engel**, Smithville, TX (US)

\* cited by examiner

*Primary Examiner*—T. Chase Nelson

*Assistant Examiner*—Michael A Pratt

(74) *Attorney, Agent, or Firm*—David O. Simmons

(73) Assignee: **Engel Ballistic Research**, Smithville, TX (US)

(57) **CLAIM**

(\*\*) Term: **14 Years**

The ornamental design for ammunition having casing with fins, substantially as shown and described.

(21) Appl. No.: **29/348,861**

(22) Filed: **Feb. 16, 2010**

**DESCRIPTION**

(51) **LOC (9) Cl.** ..... **22-03**

FIG. 1 is a perspective view of ammunition having casing with fins in accordance with the present invention;

(52) **U.S. Cl.** ..... **D22/116**

FIG. 2 is a rear view of the ammunition shown in FIG. 1;

(58) **Field of Classification Search** ..... D22/115, D22/116; 463/2; 102/501–510, 520; 86/19.5, 86/51–54

FIG. 3 is a front view of the ammunition shown in FIG. 1;

FIG. 4 is a top view of the ammunition shown in FIG. 1, the bottom view being substantially identical to the top view as shown in FIG. 4; and,

See application file for complete search history.

FIG. 5 is a left side view of the ammunition shown in FIG. 1, the right side view being substantially identical to the left side view as shown in FIG. 5.

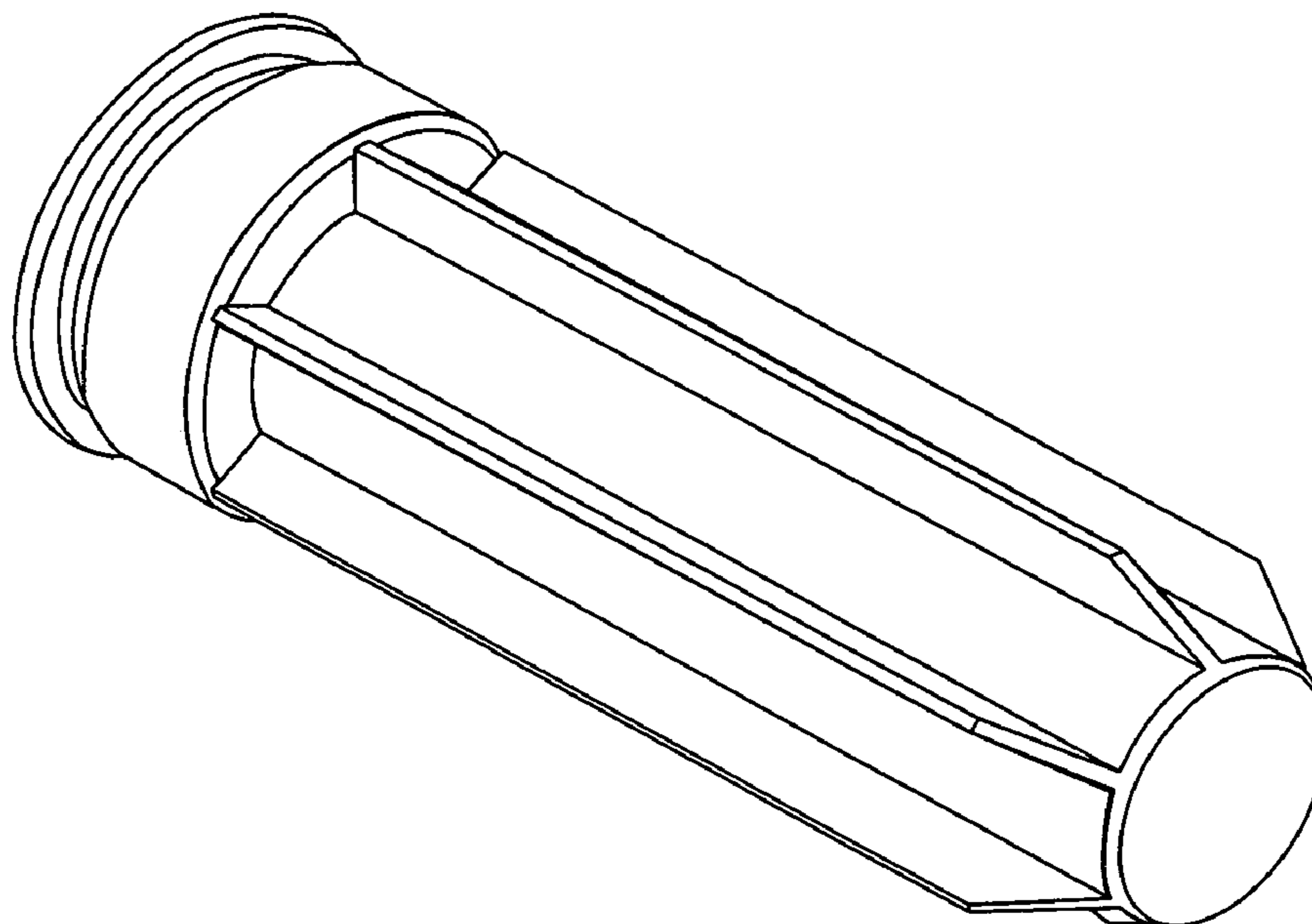
(56) **References Cited**

**U.S. PATENT DOCUMENTS**

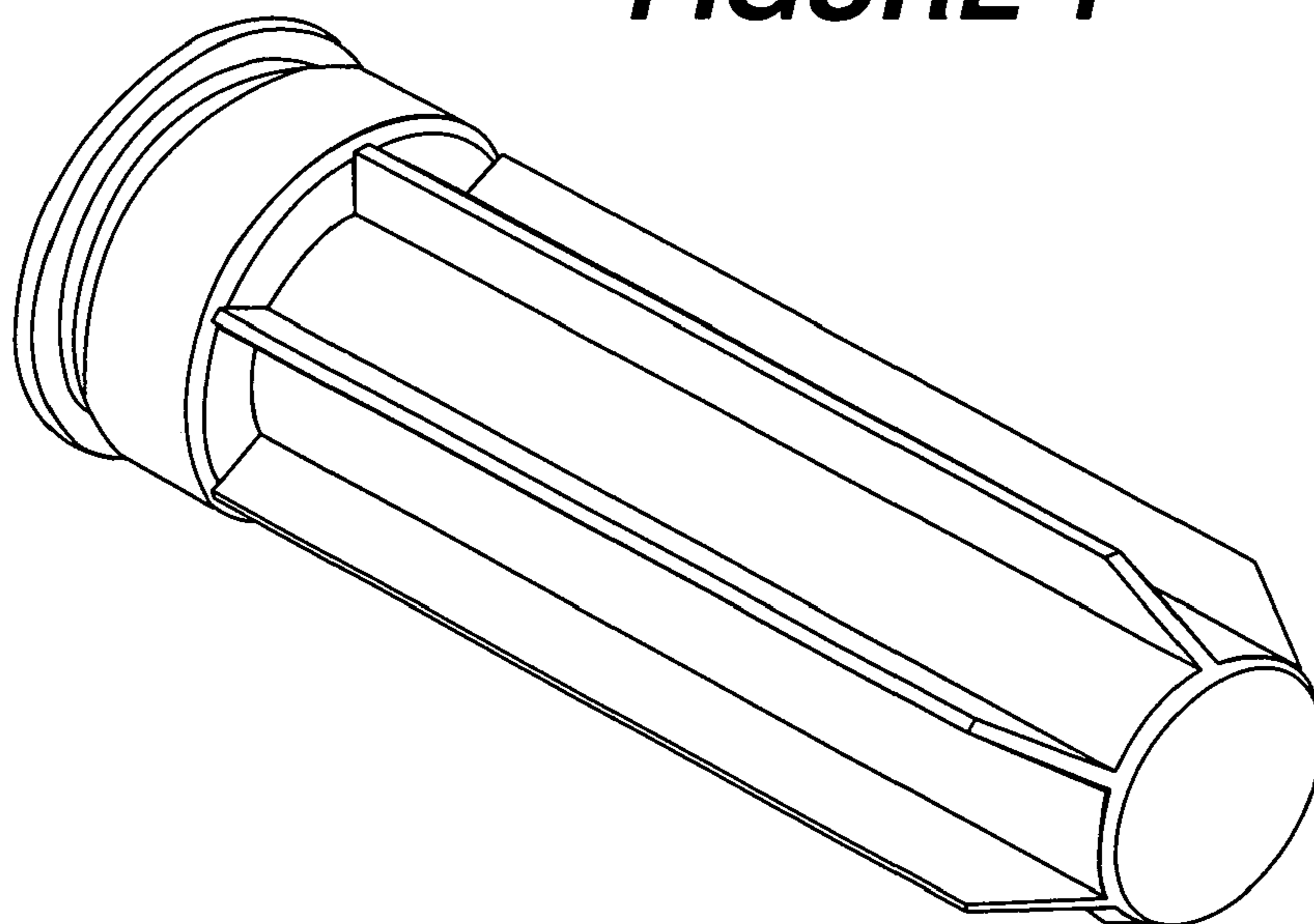
- D138,288 S \* 7/1944 Clair ..... D22/116
- 3,138,102 A \* 6/1964 Meyer et al. .... 102/509
- D271,609 S \* 11/1983 Brown ..... D22/116
- 4,742,776 A \* 5/1988 Scuto ..... 102/509

The broken line showing of portions of the ammunition having casing with fins in FIG. 2 forms no part of the claimed design.

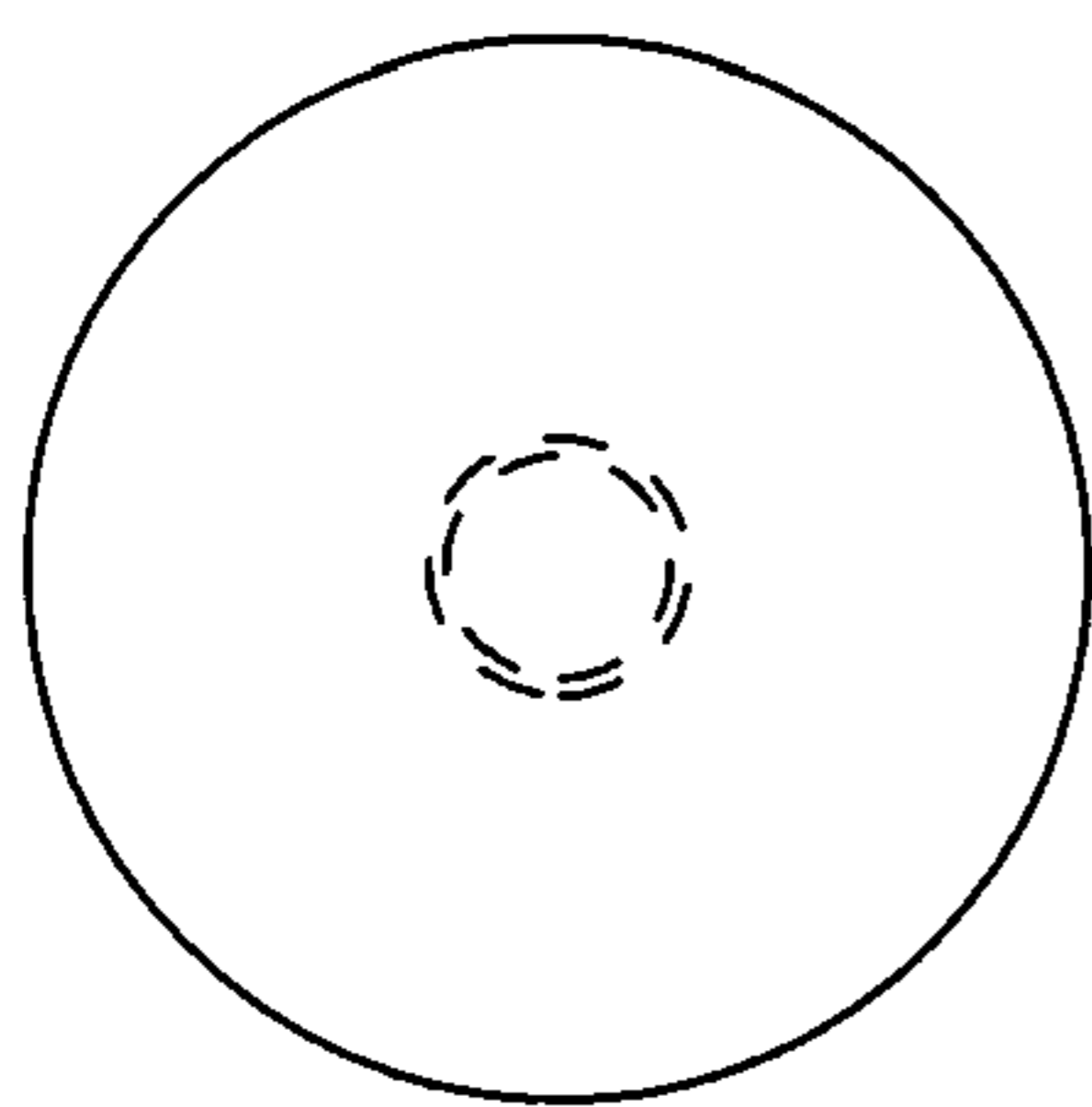
**1 Claim, 2 Drawing Sheets**



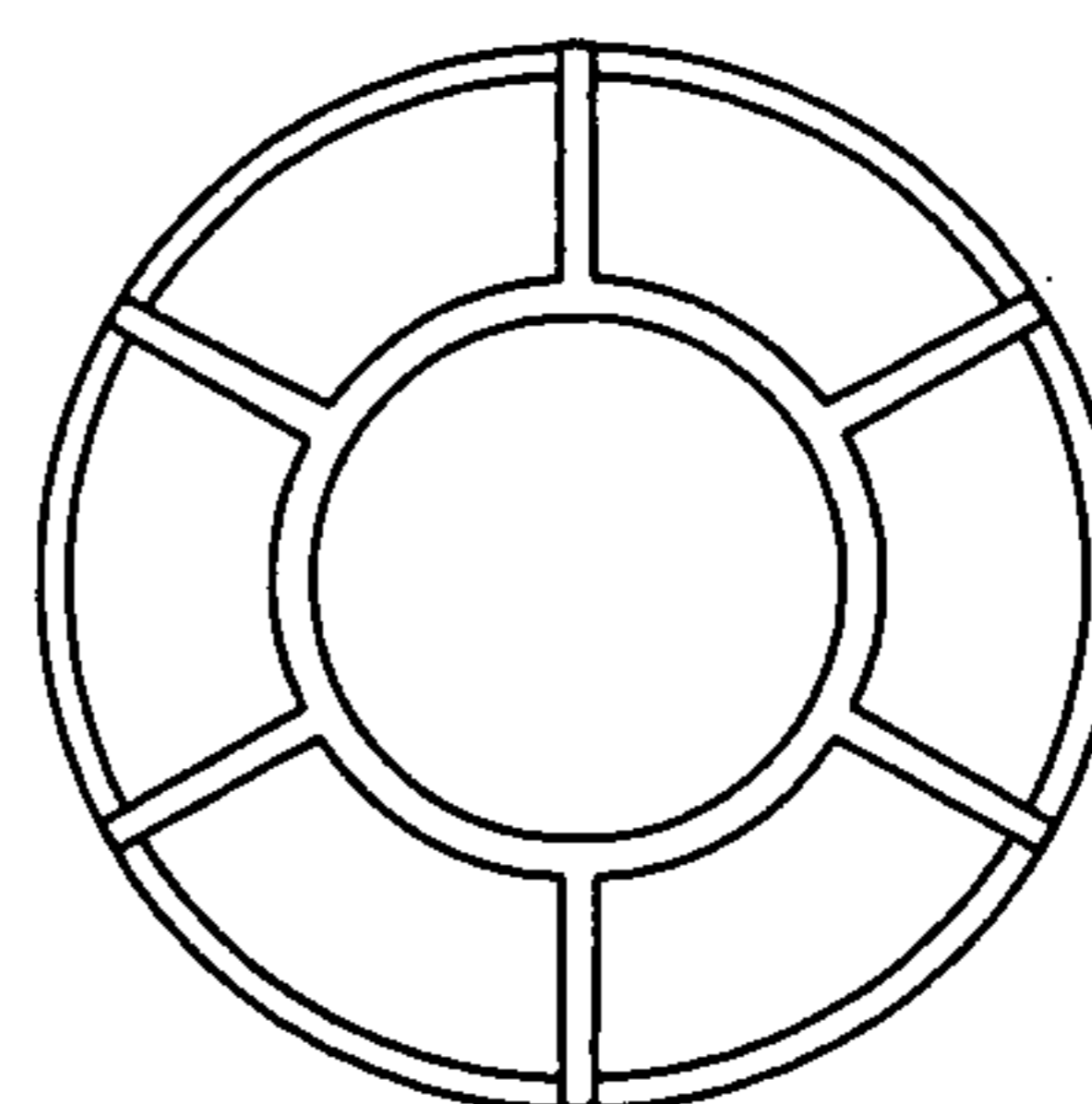
**FIGURE 1**



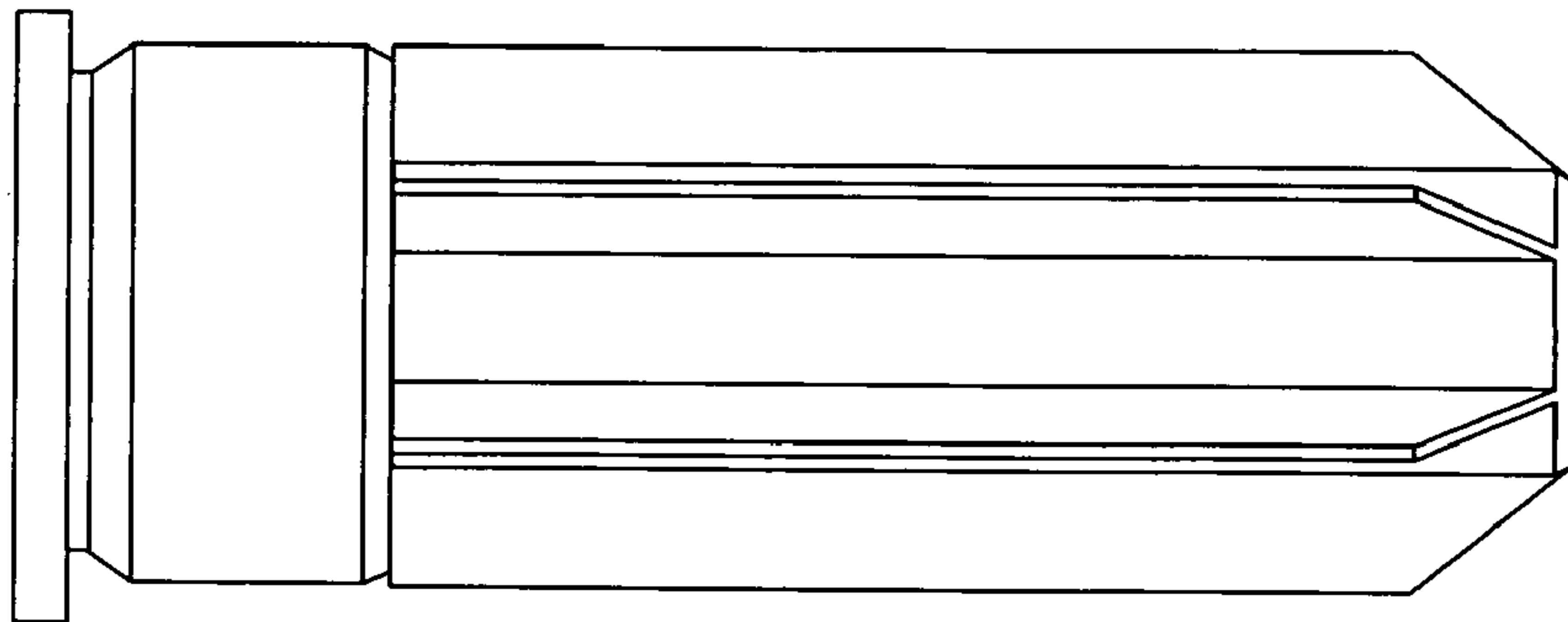
**FIGURE 2**



**FIGURE 3**



**FIGURE 4**



**FIGURE 5**

