

US00D625379S

(12) **United States Design Patent**
Trbovich, Jr. et al.

(10) **Patent No.:** **US D625,379 S**
(45) **Date of Patent:** **** Oct. 12, 2010**

(54) **BAYONET**

(76) Inventors: **Nicholas D. Trbovich, Jr.**, 28
Tanglewood Dr., West, Orchard Park, NY
(US) 14127; **Kathlyn Susan Green**,
3236 Gulf Hill Rd., Machias, NY (US)
14101

(**) Term: **14 Years**

(21) Appl. No.: **29/339,098**

(22) Filed: **Jun. 24, 2009**

(51) **LOC (9) Cl.** **22-01**

(52) **U.S. Cl.** **D22/108**

(58) **Field of Classification Search** D22/118;
D7/401, 649; D8/98, 99, 107; 30/160, 151-154,
30/355, 294, 340; 7/134-135, 158
See application file for complete search history.

(56) **References Cited**

U.S. PATENT DOCUMENTS

4,821,356	A *	4/1989	Finn	7/134
5,568,888	A *	10/1996	Seber	224/232
D476,394	S	6/2003	Trbovich, Jr.	
D498,285	S *	11/2004	Trbovich et al.	D22/118
D502,527	S *	3/2005	Trbovich et al.	D22/118
6,915,540	B2	7/2005	Trbovich, Jr. et al.	
D509,880	S *	9/2005	Trbovich et al.	D22/118

6,981,290	B2 *	1/2006	Terzuola	7/158
D515,171	S *	2/2006	Castrati	D22/118
D515,654	S *	2/2006	Trbovich, Jr.	D22/118
2005/0015998	A1	1/2005	Trbovich, Jr. et al.	
2006/0265884	A1 *	11/2006	Trbovich, Jr.	30/296.1
2010/0011593	A1 *	1/2010	Trbovich et al.	30/340

* cited by examiner

Primary Examiner—T. Chase Nelson
Assistant Examiner—Michael A Pratt
(74) *Attorney, Agent, or Firm*—Woods Oviatt Gilman LLP

(57) **CLAIM**

The bayonet, as shown and described.

DESCRIPTION

FIG. 1 is a side elevational view of a bayonet according to the invention;

FIG. 2 is a top plan view thereof;

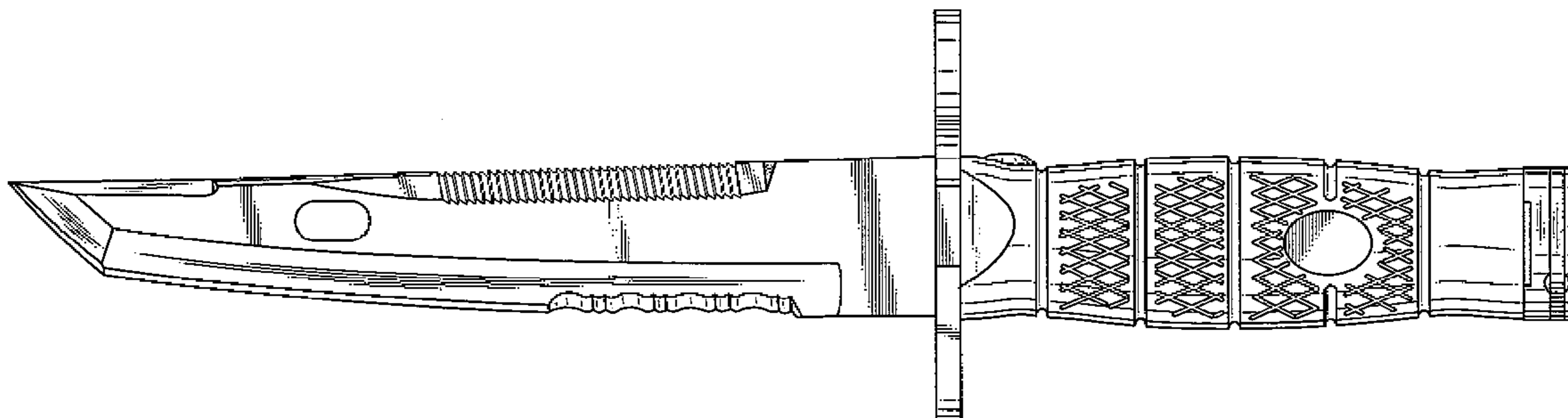
FIG. 3 is a bottom plan view thereof;

FIG. 4 is a side elevational view thereof opposite of side of FIG. 1;

FIG. 5 is an end view thereof as viewed from the left end looking toward the right of FIGS. 1-4; and,

FIG. 6 is an end view thereof as viewed from the right end looking toward the left of FIGS. 1-4.

1 Claim, 2 Drawing Sheets



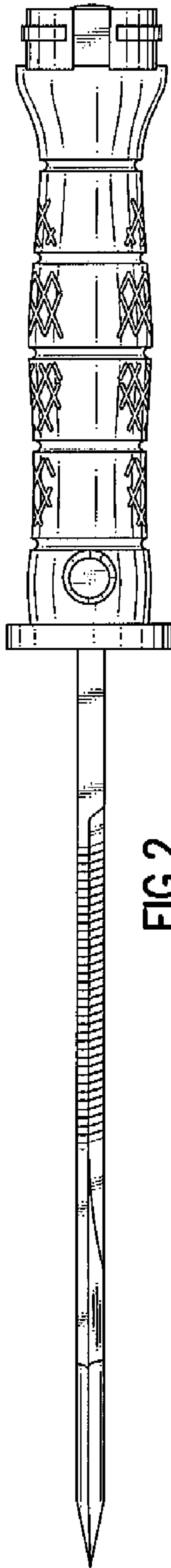


FIG. 2

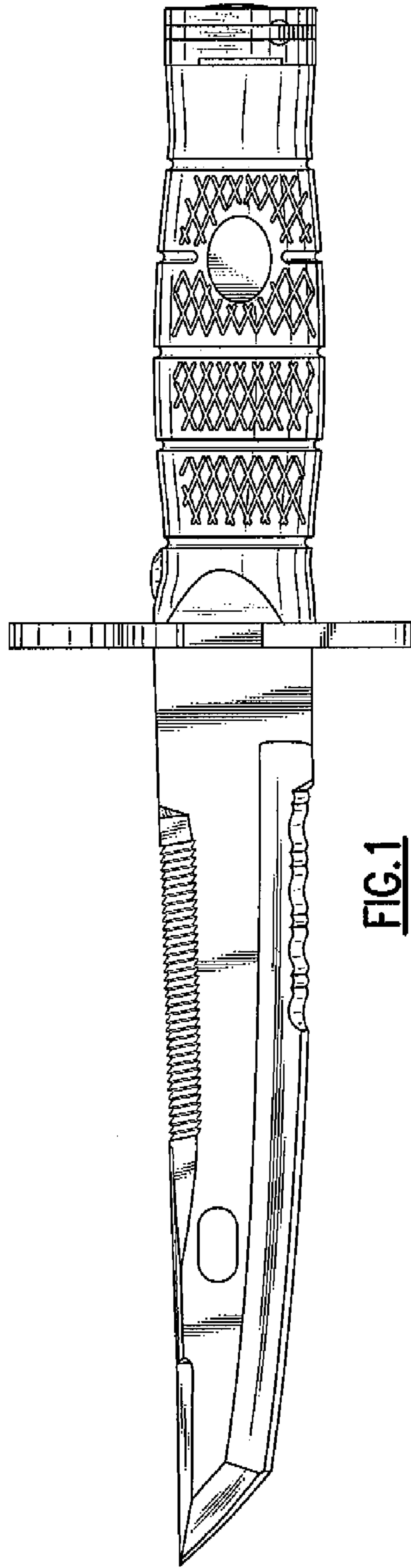


FIG. 1

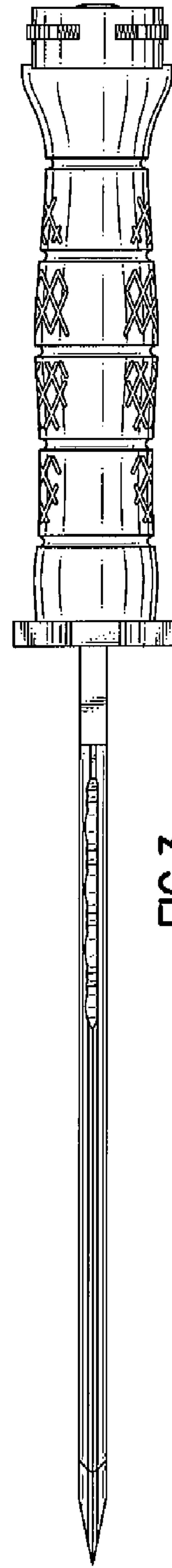


FIG. 3

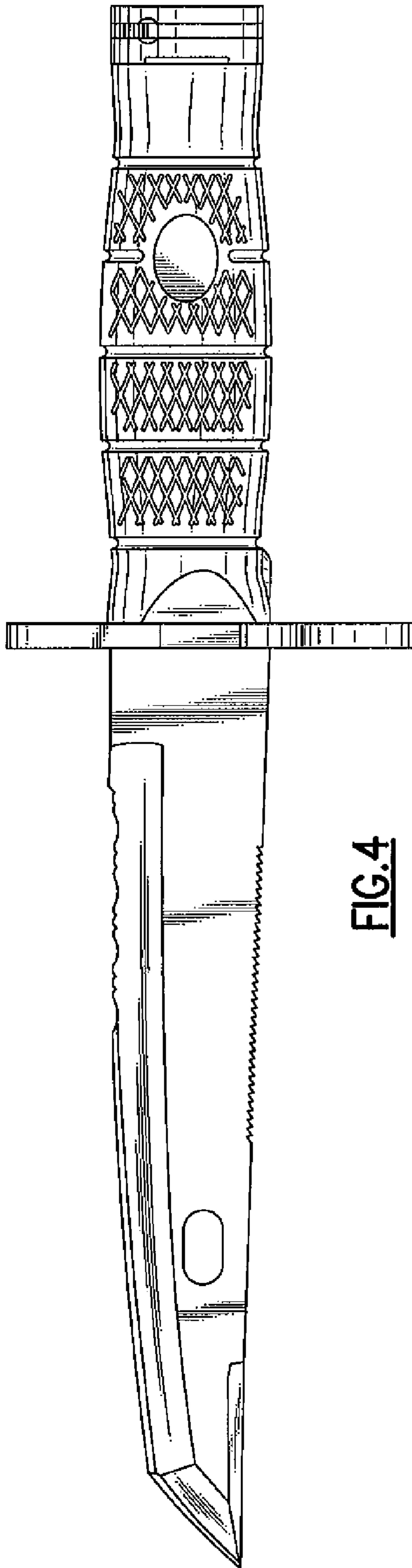


FIG. 4

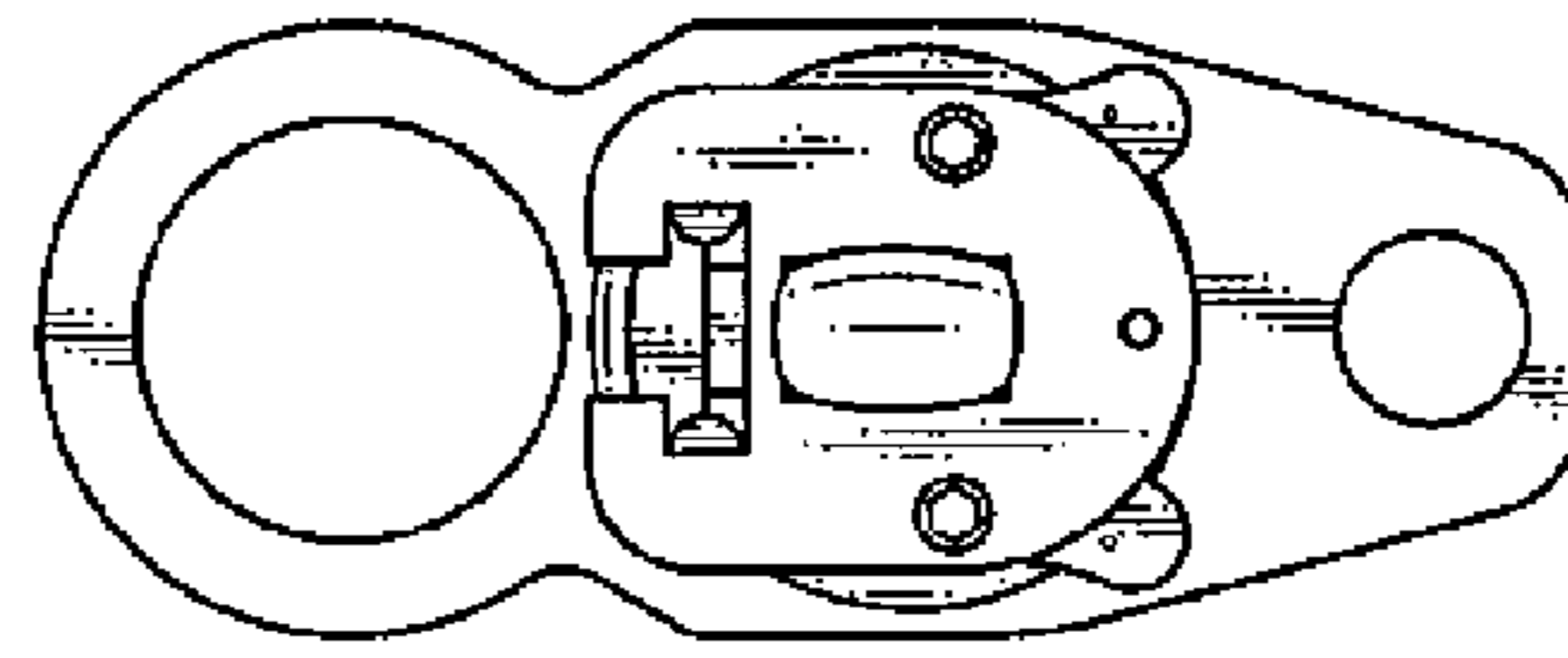


FIG. 6

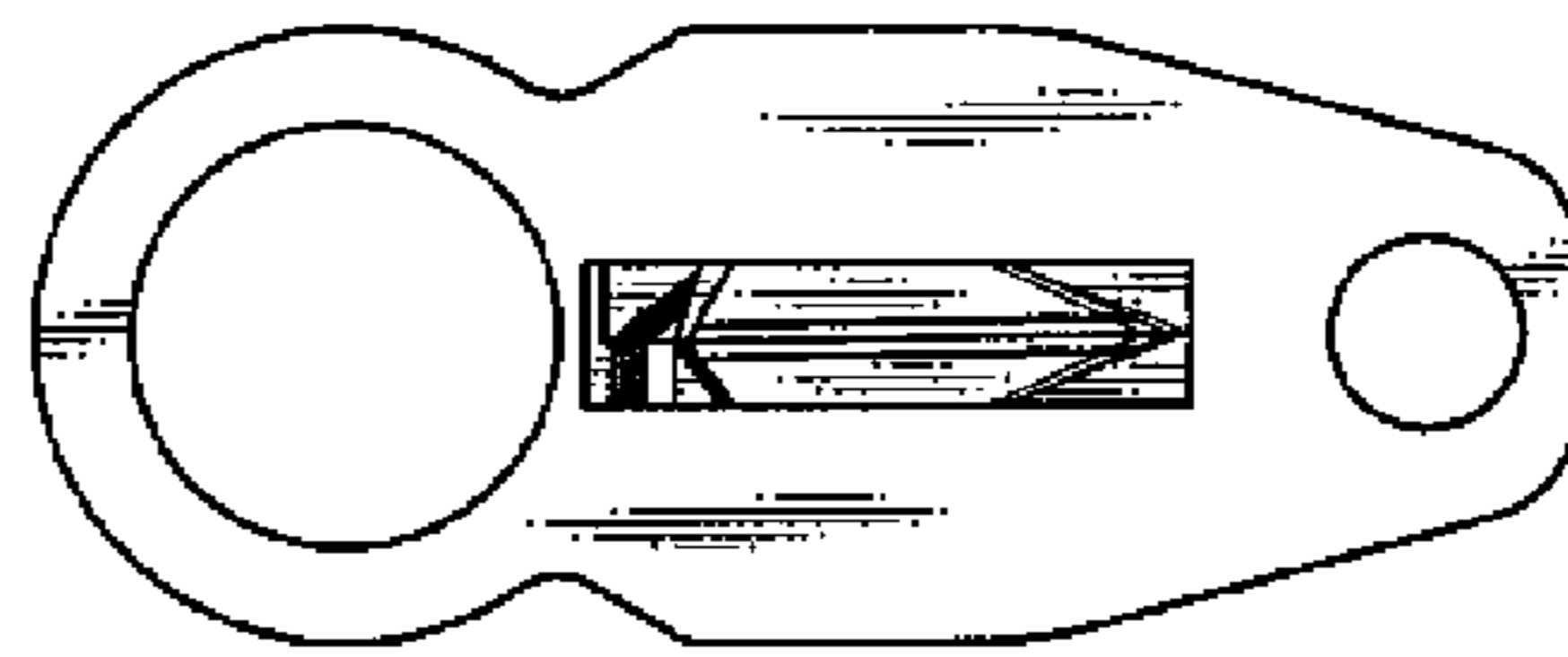


FIG. 5