



US00D625378S

(12) **United States Design Patent**
Fitzpatrick et al.

(10) **Patent No.:** **US D625,378 S**

(45) **Date of Patent:** **** Oct. 12, 2010**

(54) **RAIL COVER**

(75) Inventors: **Richard Fitzpatrick**, Longmont, CO (US); **Michael T Mayberry**, Denver, CO (US); **Eric Christopher Burt**, Broomfield, CO (US); **Mike J Baranello**, Denver, CO (US)

(73) Assignee: **Magpul Industries Corporation**, Boulder, CO (US)

(**) Term: **14 Years**

(21) Appl. No.: **29/331,379**

(22) Filed: **Jan. 23, 2009**

(51) **LOC (9) Cl.** **22-01**

(52) **U.S. Cl.** **D22/108**

(58) **Field of Classification Search** D22/100, D22/108, 109, 110, 199; 42/11, 113, 116, 42/119, 124, 125, 127, 90, 145, 128, 72, 42/106, 114, 85, 75.02, 71.01; 248/205.1, 248/201

See application file for complete search history.

(56) **References Cited**

U.S. PATENT DOCUMENTS

6,725,594 B2 * 4/2004 Hines 42/90

2003/0106252 A1 * 6/2003 Hines 42/90
2004/0064994 A1 * 4/2004 Luke 42/85
2009/0241397 A1 * 10/2009 Fitzpatrick et al. 42/90

* cited by examiner

Primary Examiner—T. Chase Nelson

Assistant Examiner—Michael A Pratt

(74) *Attorney, Agent, or Firm*—Swanson & Bratschun, L.L.C.

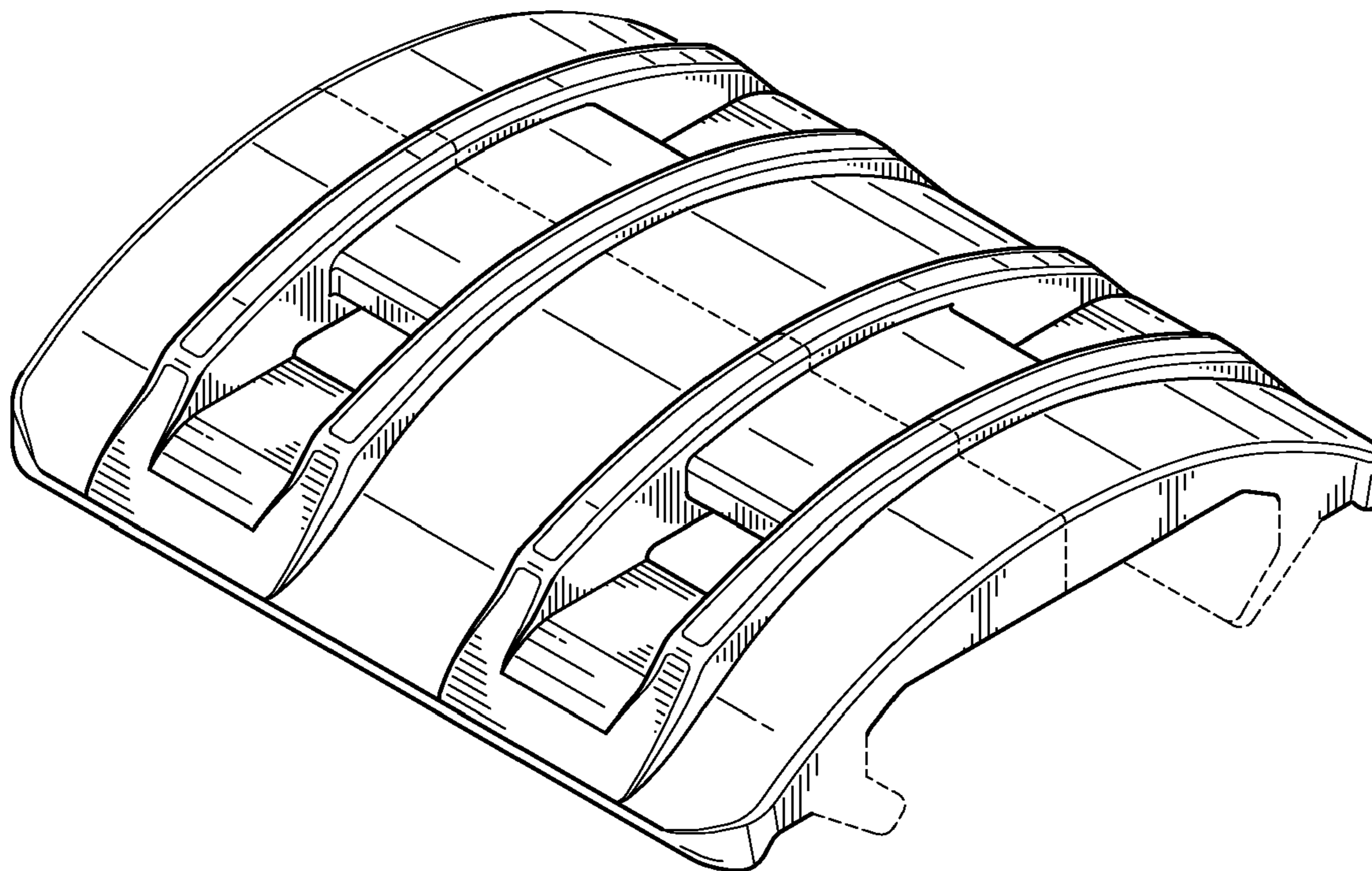
(57) **CLAIM**

The ornamental design for a rail cover, as shown and described.

DESCRIPTION

FIG. 1 is a top perspective view of a rail cover for a firearm; FIG. 2 is a front elevation view of the rail cover of FIG. 1; FIG. 3 is a side elevation view of the rail cover of FIG. 1; FIG. 4 is a top plan view of the rail cover of FIG. 1; FIG. 5 is a bottom plan view of the rail cover of FIG. 1; and, FIG. 6 is bottom perspective view of the rail cover of FIG. 1. Portions of the design shown in broken/dashed lines are included for the purpose of illustrating environment and form no part of the claimed design.

1 Claim, 3 Drawing Sheets



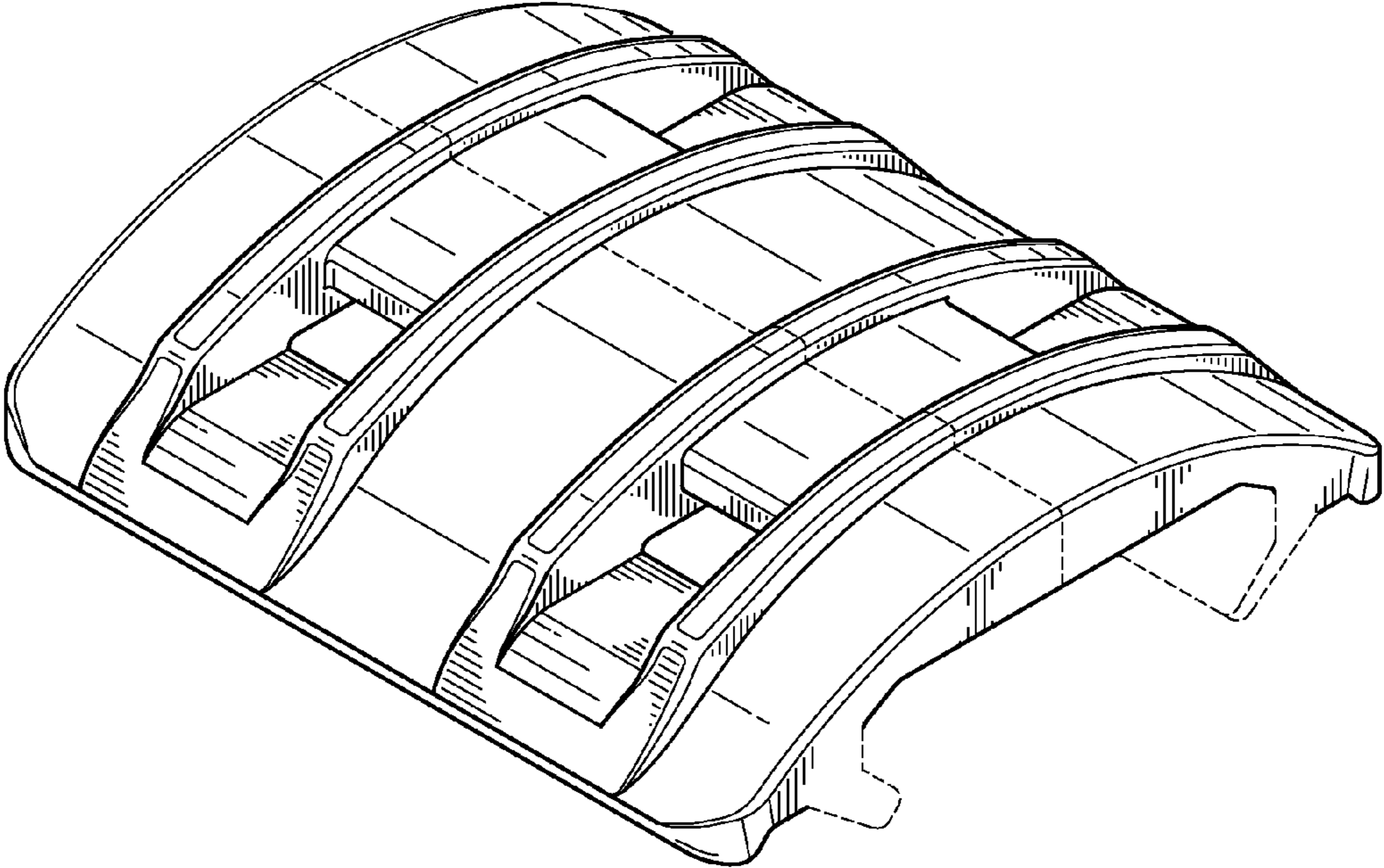


FIG. 1

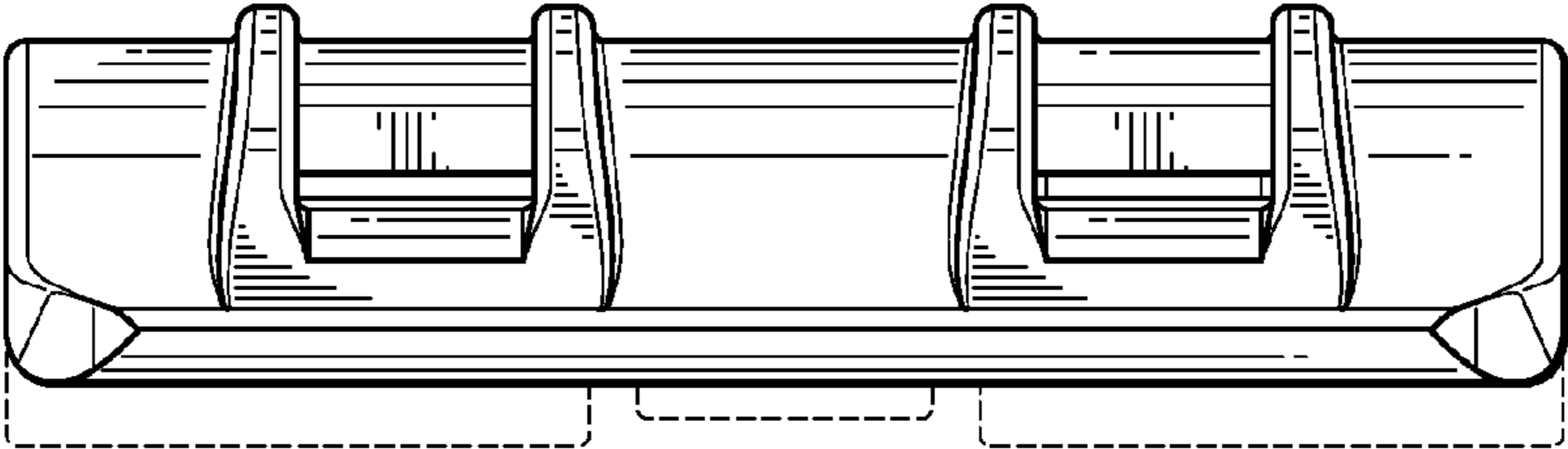


FIG. 2

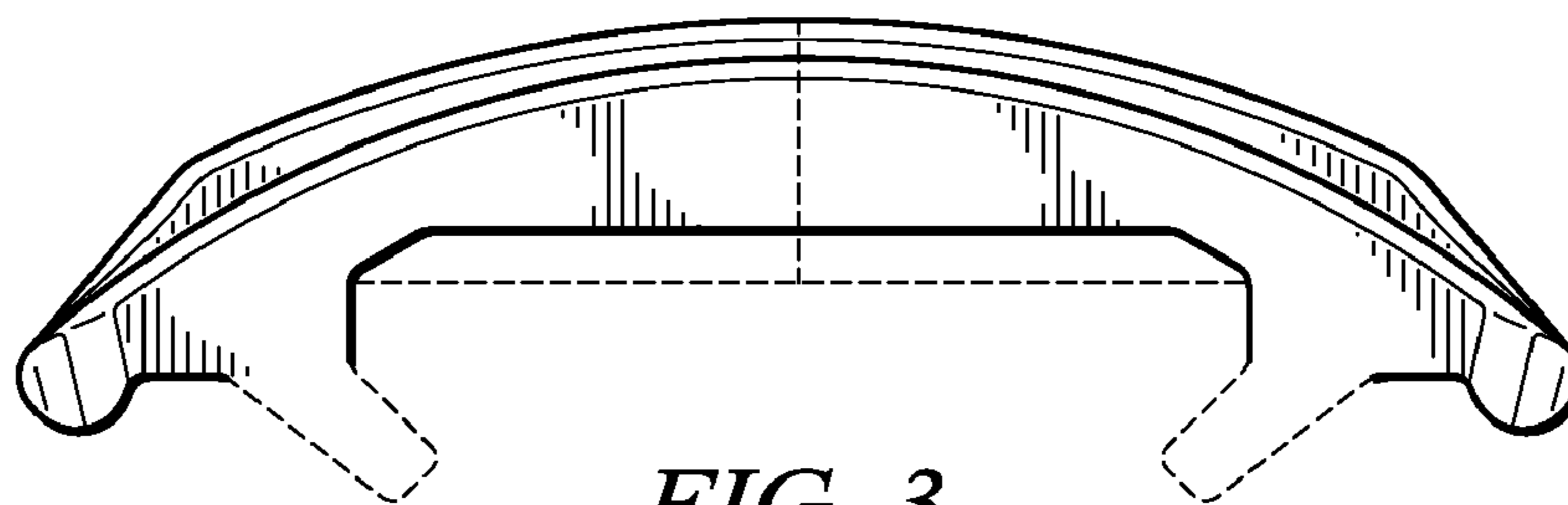


FIG. 3

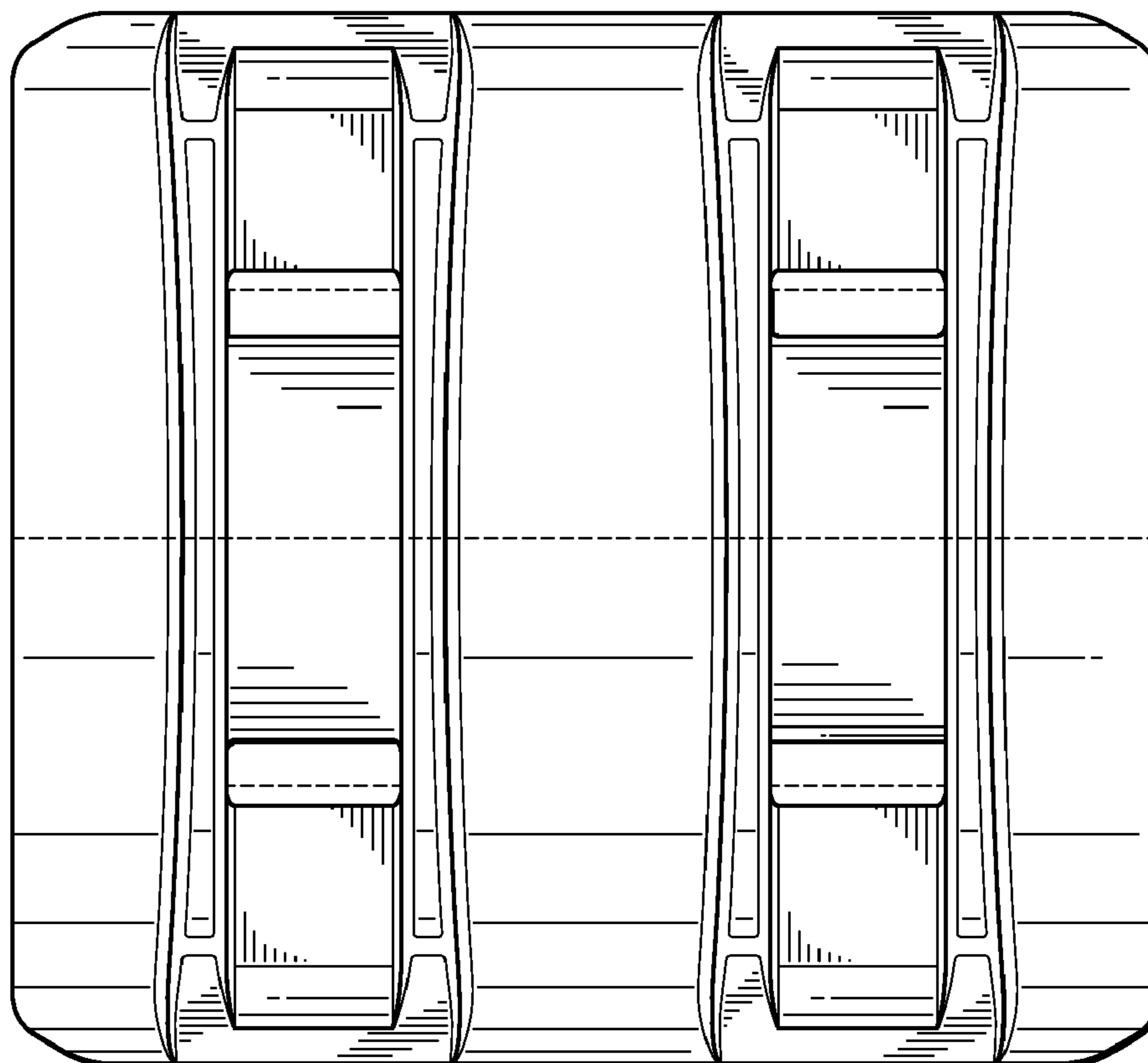


FIG. 4

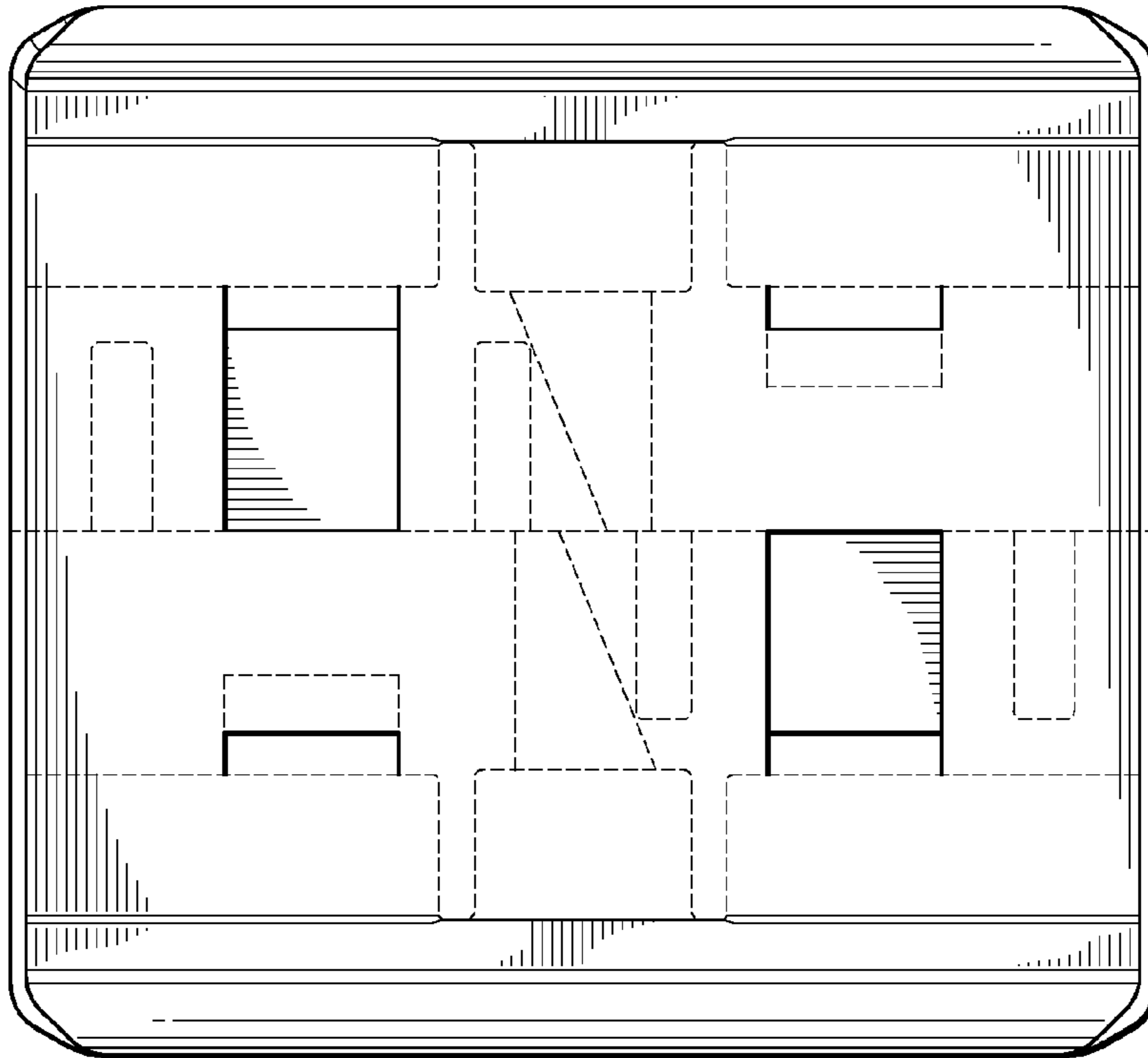


FIG. 5

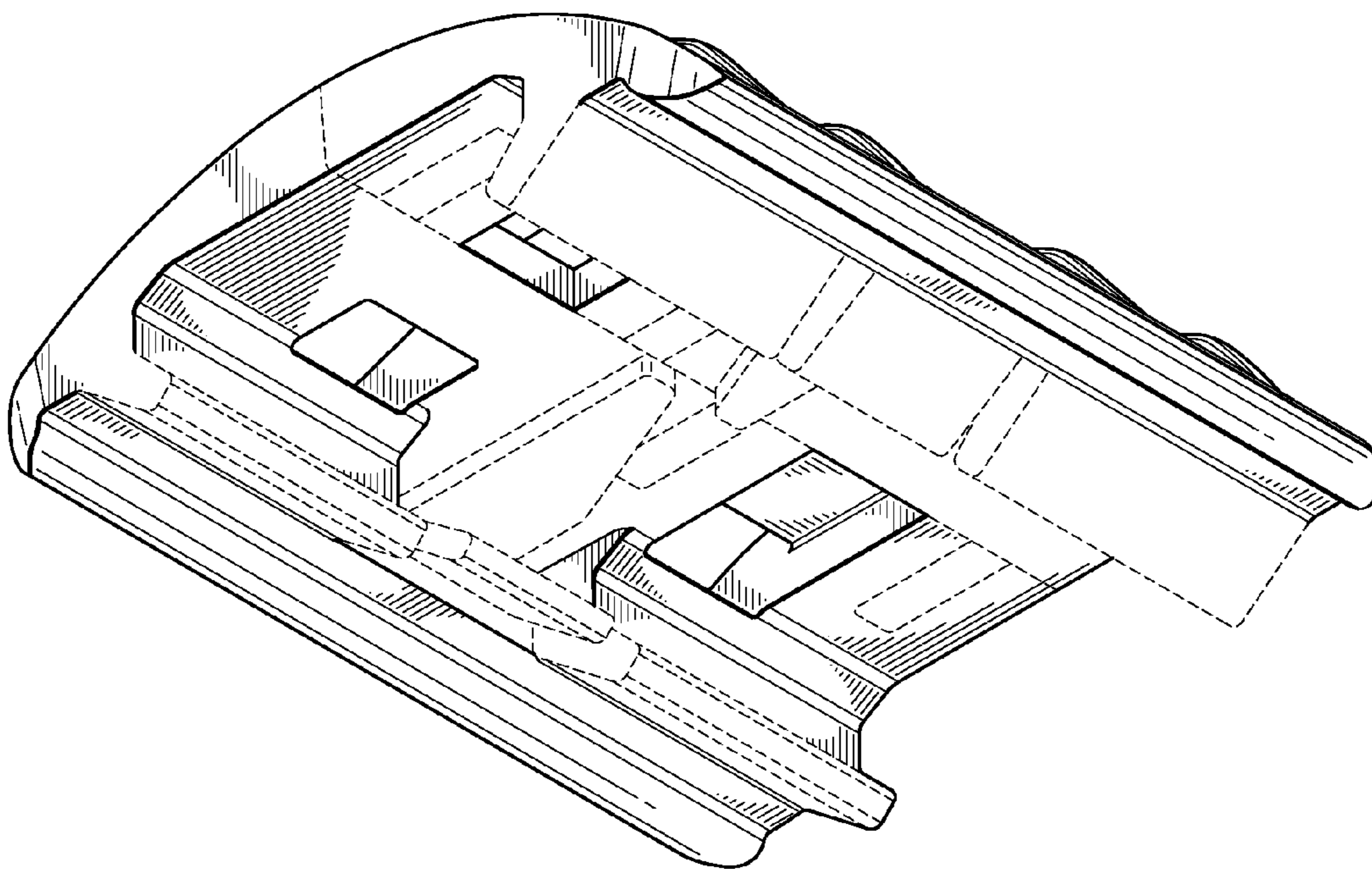


FIG. 6