

US00D625372S

(12) **United States Design Patent**
Foley et al.

(10) **Patent No.:** **US D625,372 S**

(45) **Date of Patent:** **** Oct. 12, 2010**

(54) **HANDLE**

(75) Inventors: **Jason Foley**, Millis, MA (US); **John W. Meincke, II**, Medway, MA (US); **Bill Pacheco**, Bridgewater, MA (US); **Whitey Kellerman**, Sandwich, MA (US)

(73) Assignee: **Cybox International, Inc.**, Medway, MA (US)

(**) Term: **14 Years**

(21) Appl. No.: **29/346,269**

(22) Filed: **Oct. 29, 2009**

(51) **LOC (9) Cl.** **21-02**

(52) **U.S. Cl.** **D21/694**

(58) **Field of Classification Search** D21/662-663,
D21/668-670, 694, 696-697; 482/51-54,
482/57, 100, 112, 136-137, 139-140
See application file for complete search history.

(56) **References Cited**

U.S. PATENT DOCUMENTS

5,725,463	A *	3/1998	Colonello et al.	482/140
D403,034	S *	12/1998	Moon et al.	D21/669
5,935,049	A *	8/1999	Hamm	482/140
D437,900	S *	2/2001	Dick et al.	D21/669
D465,250	S *	11/2002	San-Ching	D21/694
6,508,746	B1 *	1/2003	Jacobs et al.	482/71
D476,046	S *	6/2003	Wang et al.	D21/694

D505,170	S *	5/2005	Buechel et al.	D21/691
D554,715	S *	11/2007	Giannelli et al.	D21/694
D557,359	S *	12/2007	Olason et al.	D21/696
7,413,529	B2 *	8/2008	Lee et al.	482/54
2004/0138030	A1 *	7/2004	Wang et al.	482/54
2005/0233867	A1 *	10/2005	Fan	482/57
2007/0281831	A1 *	12/2007	Wang	482/54
2008/0176718	A1 *	7/2008	Wang	482/54

* cited by examiner

Primary Examiner—Susan E Krakower

(74) *Attorney, Agent, or Firm*—Rissman Hendricks & Oliverio

(57) **CLAIM**

The ornamental design for a handle, as shown and described.

DESCRIPTION

FIG. 1 is a left side perspective view of a handle according to the new design;

FIG. 2 is a side view of the handle of FIG. 1;

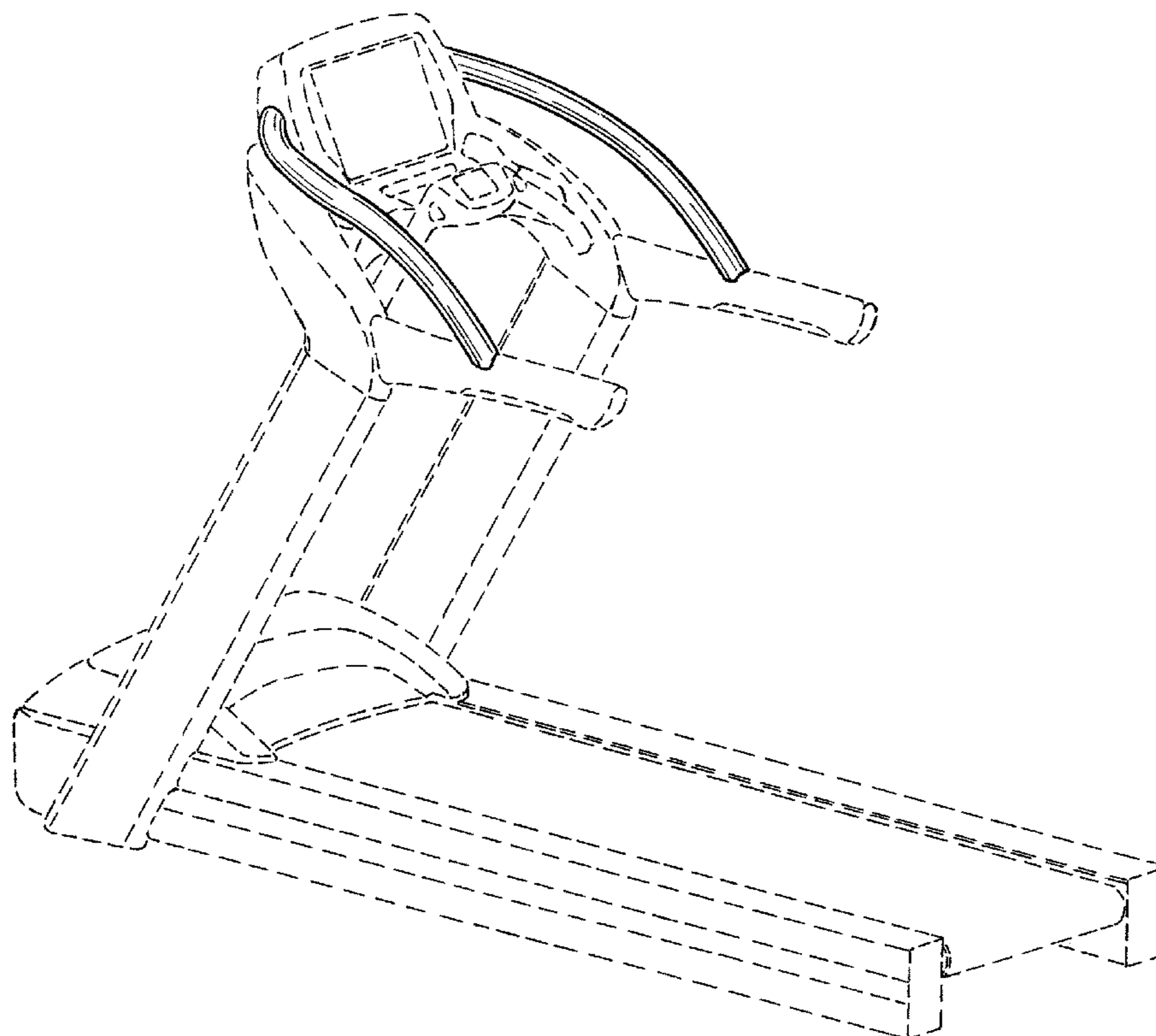
FIG. 3 is a rear view of the handle of FIG. 1;

FIG. 4 is a front view of the handle of FIG. 1; and,

FIG. 5 is a top plan view of the handle of FIG. 1.

The broken lines showing a treadmill exercise machine illustrates environmental structure and forms no part of the claimed design.

1 Claim, 5 Drawing Sheets



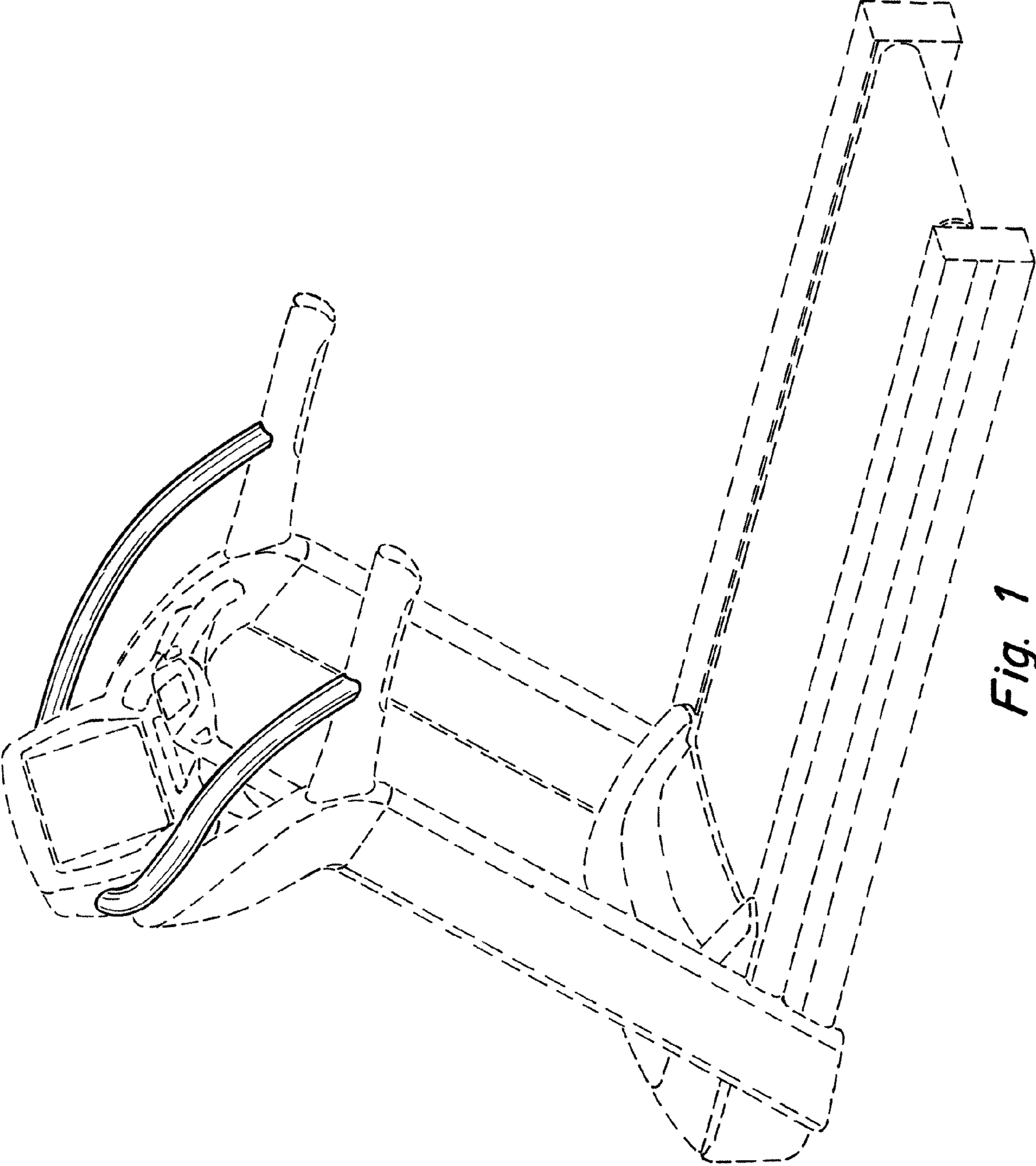


Fig. 1

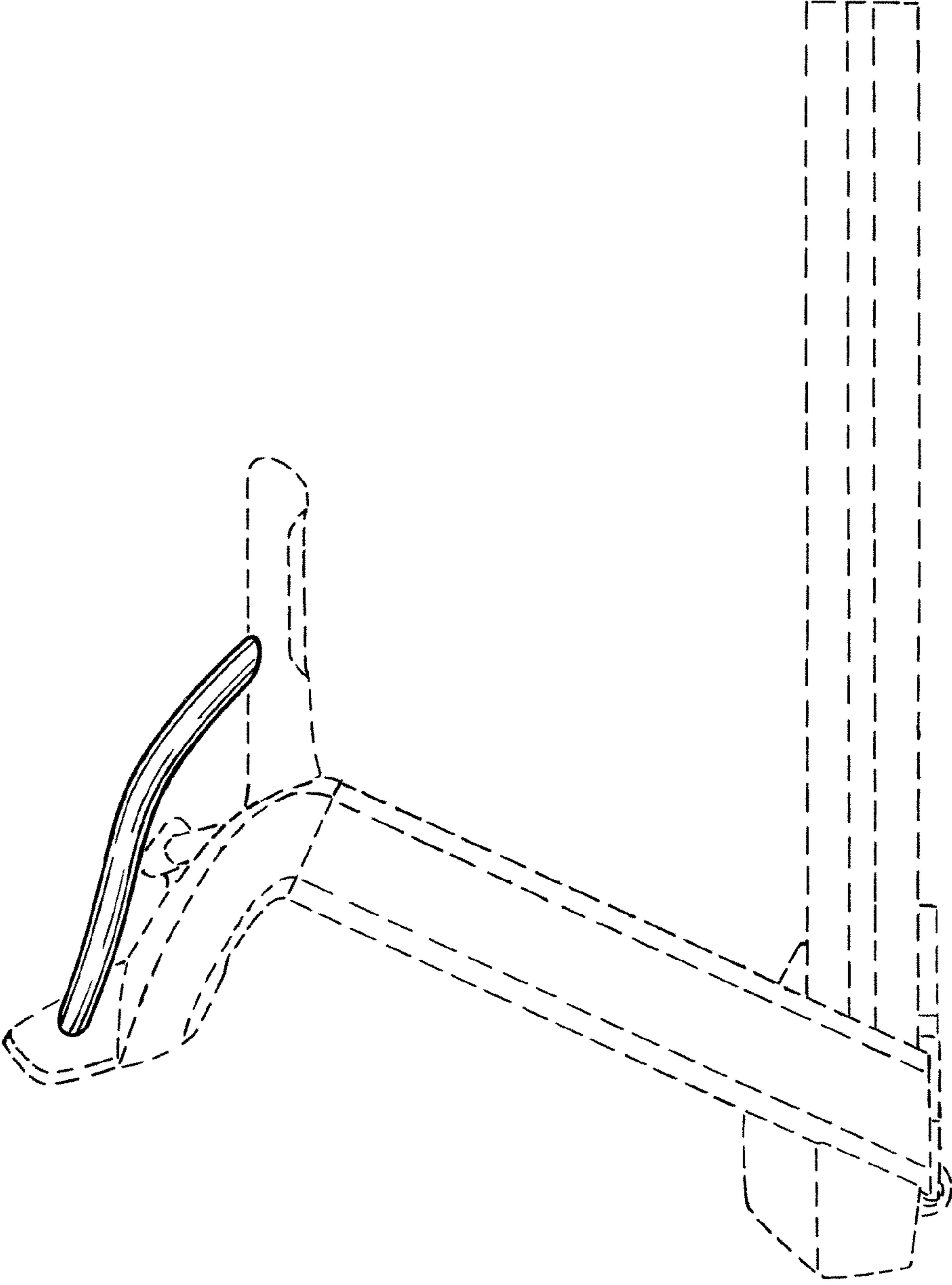


Fig. 2

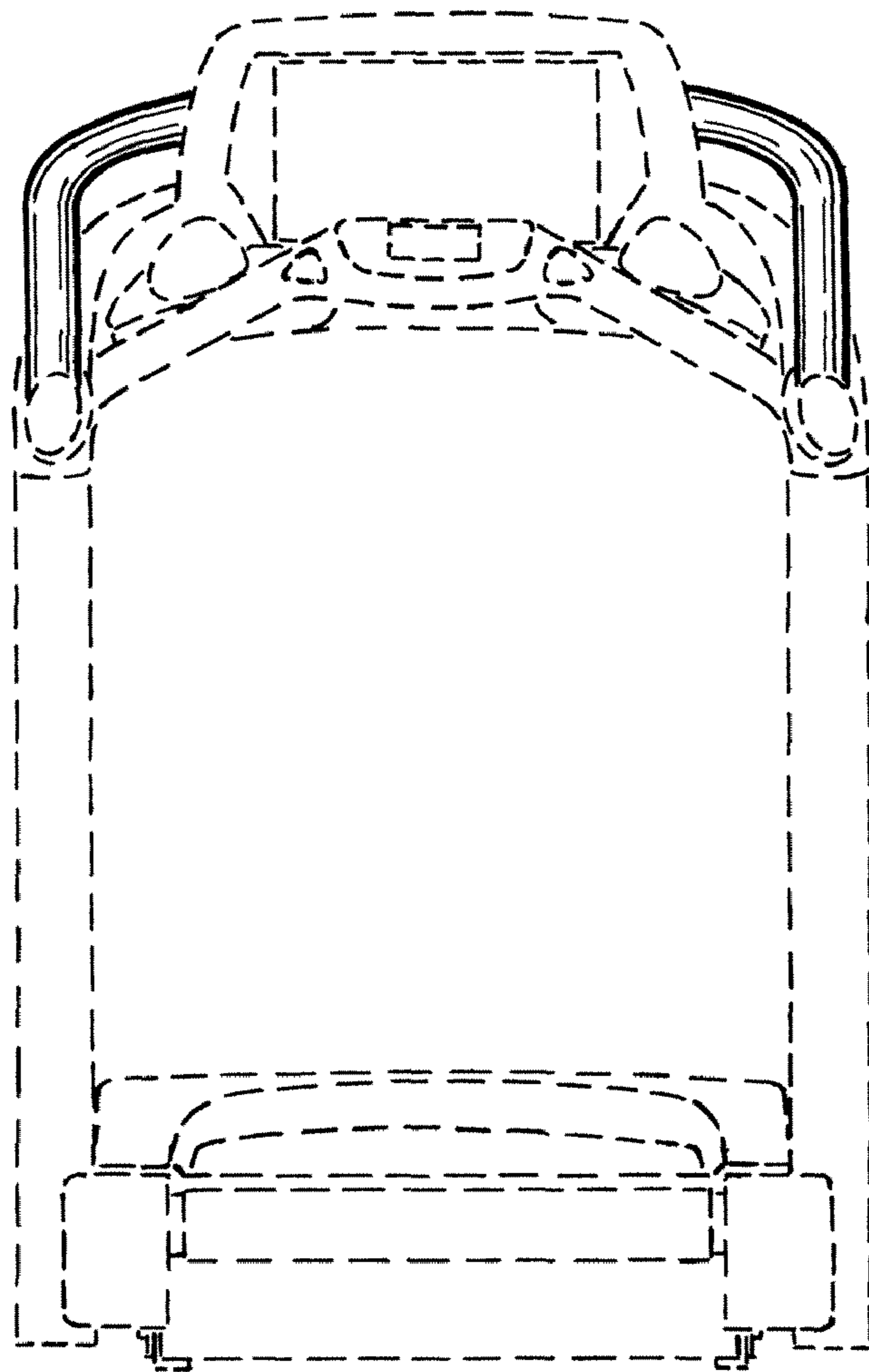


Fig. 3

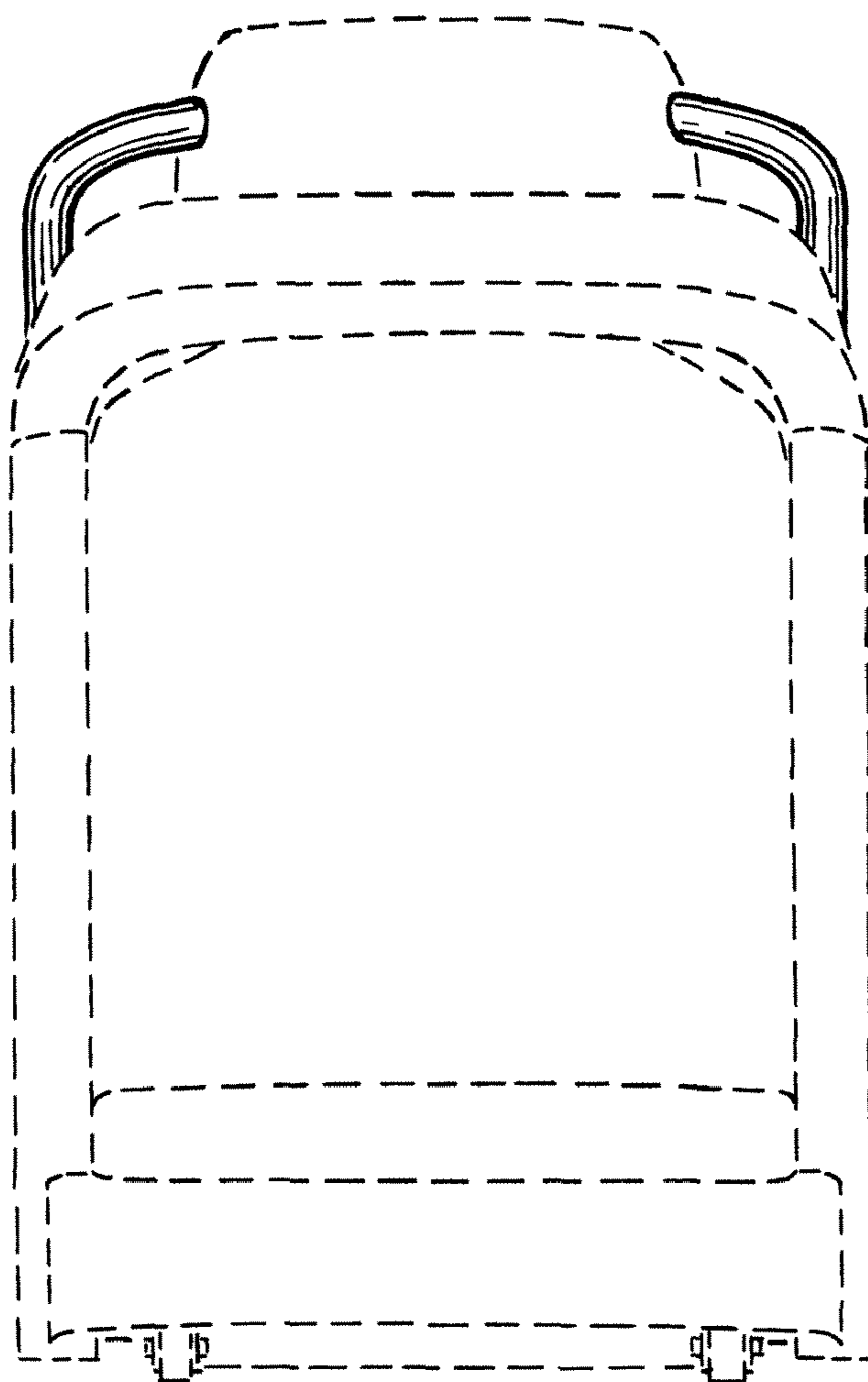


Fig. 4

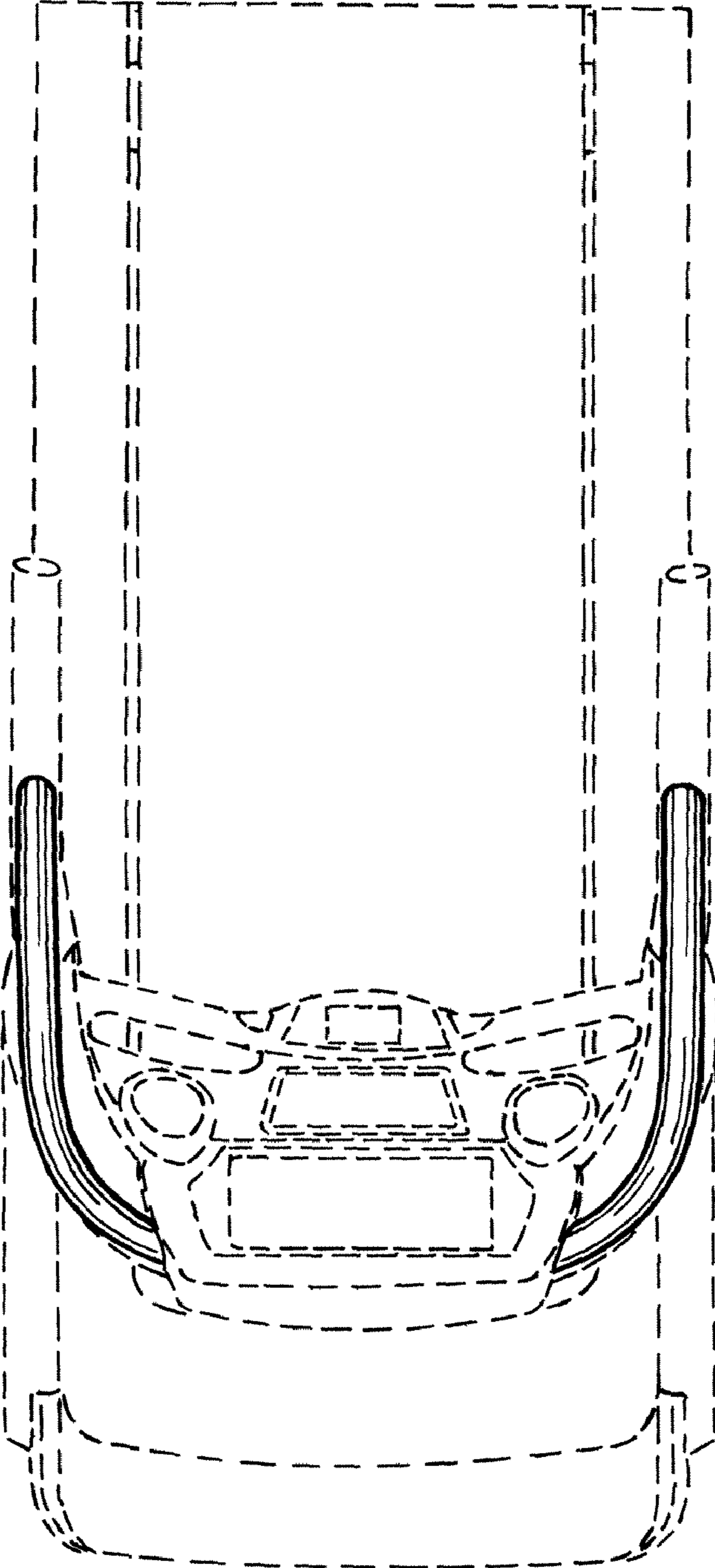


Fig. 5