



US00D625370S

(12) **United States Design Patent**
Huber et al.

(10) **Patent No.:** **US D625,370 S**
(45) **Date of Patent:** **** Oct. 12, 2010**

(54) **STATIONARY EXERCISE BICYCLE**

(75) Inventors: **Aaron D. Huber**, Louisville, OH (US);
Richard A. Huber, Washingtonville, OH (US);
Julius Toth, Akron, OH (US);
Richard A. Suarez, Massillon, OH (US)

(73) Assignee: **Cordio, LLC**, Massillon, OH (US)

(**) Term: **14 Years**

(21) Appl. No.: **29/352,258**

(22) Filed: **Dec. 18, 2009**

(51) **LOC (9) Cl.** **21-02**
(52) **U.S. Cl.** **D21/662**; D21/695
(58) **Field of Classification Search** D21/662-670,
D21/694-695; 482/51, 77, 121, 123, 126,
482/130, 132, 140-142, 907; D6/352, 366;
297/452.41, 217.1, 440.1; 434/258; 472/95,
472/134

See application file for complete search history.

(56) **References Cited**

U.S. PATENT DOCUMENTS

- 4,126,326 A * 11/1978 Phillips 280/205
- D330,237 S 10/1992 Miller
- D362,699 S 9/1995 Heaton et al.
- 5,690,389 A 11/1997 Ekman et al.
- 5,833,587 A 11/1998 Strong et al.
- D403,034 S * 12/1998 Moon et al. D21/669
- D410,712 S 6/1999 Giger et al.
- D418,893 S * 1/2000 Peng D21/801
- 6,070,943 A 6/2000 Guery-Strahm
- 6,375,601 B1 4/2002 Johnson
- 6,447,070 B1 9/2002 Ekman et al.
- 6,461,284 B1 10/2002 Francavilla
- 6,478,721 B1 11/2002 Hunter
- 6,520,578 B1 * 2/2003 Jospa et al. 297/217.1
- D471,025 S * 3/2003 Chiu D6/366
- D471,371 S * 3/2003 Chiu D6/366
- 6,547,706 B1 4/2003 Chek
- D476,705 S 7/2003 Dillard
- 6,616,238 B1 9/2003 Guery-Strahm

- 6,689,026 B2 2/2004 Almada
- 6,746,372 B2 6/2004 Hsu
- 6,832,817 B1 12/2004 Chiu
- D503,553 S * 4/2005 Chiu D6/352
- D503,756 S * 4/2005 Chiang D21/662
- D509,548 S 9/2005 Heitzman et al.
- D513,421 S 1/2006 Nagano
- D521,084 S * 5/2006 Huang D21/662

(Continued)

FOREIGN PATENT DOCUMENTS

GB 2 226 769 7/1990

OTHER PUBLICATIONS

<http://www.lastchancefitness.com/sdsf-b803.html>; Stationary Bikes; Magnetic Upright Stationary Bike—Last Chance Fitness & Healthy Living; document is undated but printed from the pertinent website on May 1, 2009.

(Continued)

Primary Examiner—Susan E Krakower
(74) *Attorney, Agent, or Firm*—Sand & Sebolt

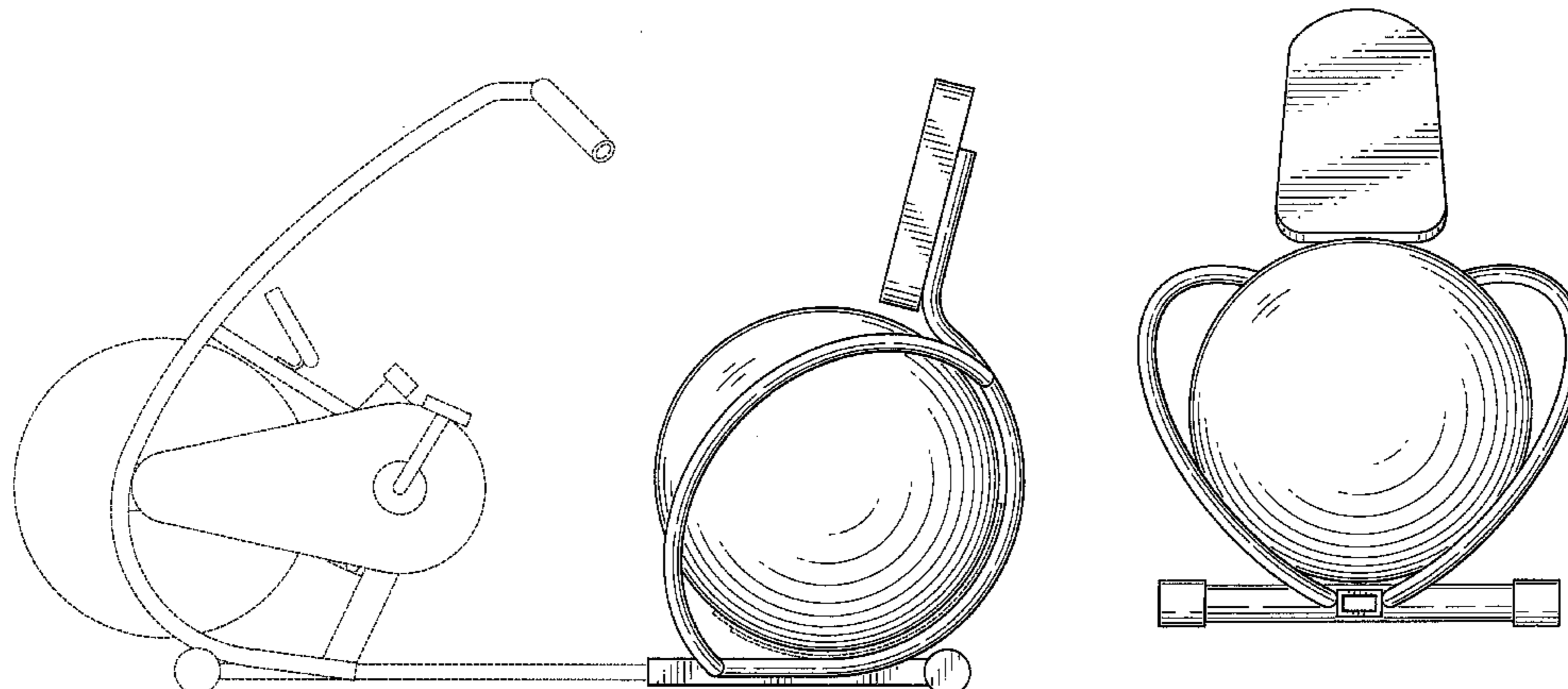
(57) **CLAIM**

The ornamental design for a stationary exercise bicycle, as shown and described.

DESCRIPTION

FIG. 1 is a left side elevational view of the stationary exercise bicycle of the present invention;
FIG. 2 is a right side elevational view thereof;
FIG. 3 is a rear elevational view thereof;
FIG. 4 is a front elevational view thereof;
FIG. 5 is a top plan view thereof; and,
FIG. 6 is a bottom plan view thereof.
The broken lines illustrate portions of the stationary exercise bicycle which form no part of the claimed design.

1 Claim, 6 Drawing Sheets



U.S. PATENT DOCUMENTS

7,044,558	B2	5/2006	Chiu	
7,060,015	B2	6/2006	Acher	
D528,172	S	9/2006	Bingham, Jr. et al.	
7,118,517	B1	10/2006	Hale	
7,141,011	B2 *	11/2006	Williams et al.	482/148
D536,542	S *	2/2007	Chiu	D6/352
D552,696	S *	10/2007	Hallar	D21/662
7,341,548	B2 *	3/2008	Heitzman et al.	482/142
7,344,487	B2 *	3/2008	Carter et al.	482/142
D610,635	S *	2/2010	Hildebrandt et al.	D21/670
7,674,216	B1 *	3/2010	Bolling	482/142
7,713,180	B2 *	5/2010	Wickens et al.	482/140
2005/0107229	A1 *	5/2005	Wickens	482/140
2006/0040808	A1	2/2006	Riazi	
2006/0063653	A1 *	3/2006	Wickens et al.	482/142
2007/0117682	A1	5/2007	Deola	
2009/0098520	A1 *	4/2009	Wilson	434/258
2009/0325770	A1 *	12/2009	Baschnagel	482/142

OTHER PUBLICATIONS

<http://www.lastchancefitness.com/be185p-3.html>; Stationary Bikes; Pursuit E 25 Stationary Bike—Last Chance Fitness & Healthy Living; document is undated but printed from the pertinent website on May 1, 2009.

http://www.nordictrack.com/webapp/wcs/stores/servlet/Product2_12401_10301_96153-1; Equipment>>Exercise Bikes>>C3 si; document is undated but printed from the pertinent website on May 1, 2009.

<http://www.lastchancefitness.com/sdsfrb-801.html>; Deluxe Sunny Recumbent Stationary Bike—Last Chance Fitness & Healthy Living; document is undated but printed from the pertinent website on May 1, 2009.

<http://www.amazon.com/Stamina-Magnetic-Resistance-Recumbent...>; Amazon.com: Stamina Magnetic Resistance Recumbent Bike; document is undated but printed from the pertinent website on Apr. 29, 2008.

<http://www.amazon.com/LifeSpan-Fitness-R3-Recumbent-Bike/dp/...>; Amazon.com: LifeSpan Fitness R3 Recumbent Bike; document is undated but printed from the pertinent website on Apr. 29, 2008.

<http://kozy.com/itemdetails.cfm?ID=5157>; Schwinn 213 Recumbent Exercise Bike—Kozy's bike shop; document is undated but printed from the pertinent website on Apr. 29, 2008.

<http://www.dickssportinggoods.com/largeImage/index.jsp?LargeImage>; document is undated but printed from the pertinent website on Apr. 29, 2008.

<http://www.walmart.com/catalog/detail.gsp?image=http://i.walmart...>; document is undated but printed from the pertinent website on Apr. 29, 2008.

<http://www.amazon.com/Schwinn-230-Recumbent-Exercise-Bike/dp/...>; Amazon.com; Schwinn 230 Recumbent Exercise Bike; document is undated but printed from the pertinent website on Apr. 29, 2008.

<http://www.amazon.com/gp/product/B000MXL5SQ>; Schwinn 231 Recumbent Exercise Bike; document is undated but printed from the pertinent website on Apr. 29, 2008.

http://www.shapeupshop.com/fitness/abs/versa_core.htm; Versa Core Exercise Ball & Base Trainer; document is undated but printed from the pertinent website on Mar. 27, 2008.

<http://www.nextag.com/Deluxe-Bal-Chair-582241015/prices.html?...>; Deluxe Ball Chair; document is undated but printed from the pertinent website on Mar. 27, 2008.

<http://www.nextag.com/Ball-Dynamics-FitBALL-Chair-545633419/...>; BallDynamics FitBALL Chair w/ pump and 55cm silver ball; document is undated but printed from the pertinent website on Mar. 27, 2008.

<http://www.amazon.com/dp/B0010XIFNU?smid=A39CQND6C2Z>; Zenathletics ZenZu Exercise Ball Chair; document is undated but printed from the pertinent website on Mar. 27, 2008.

* cited by examiner

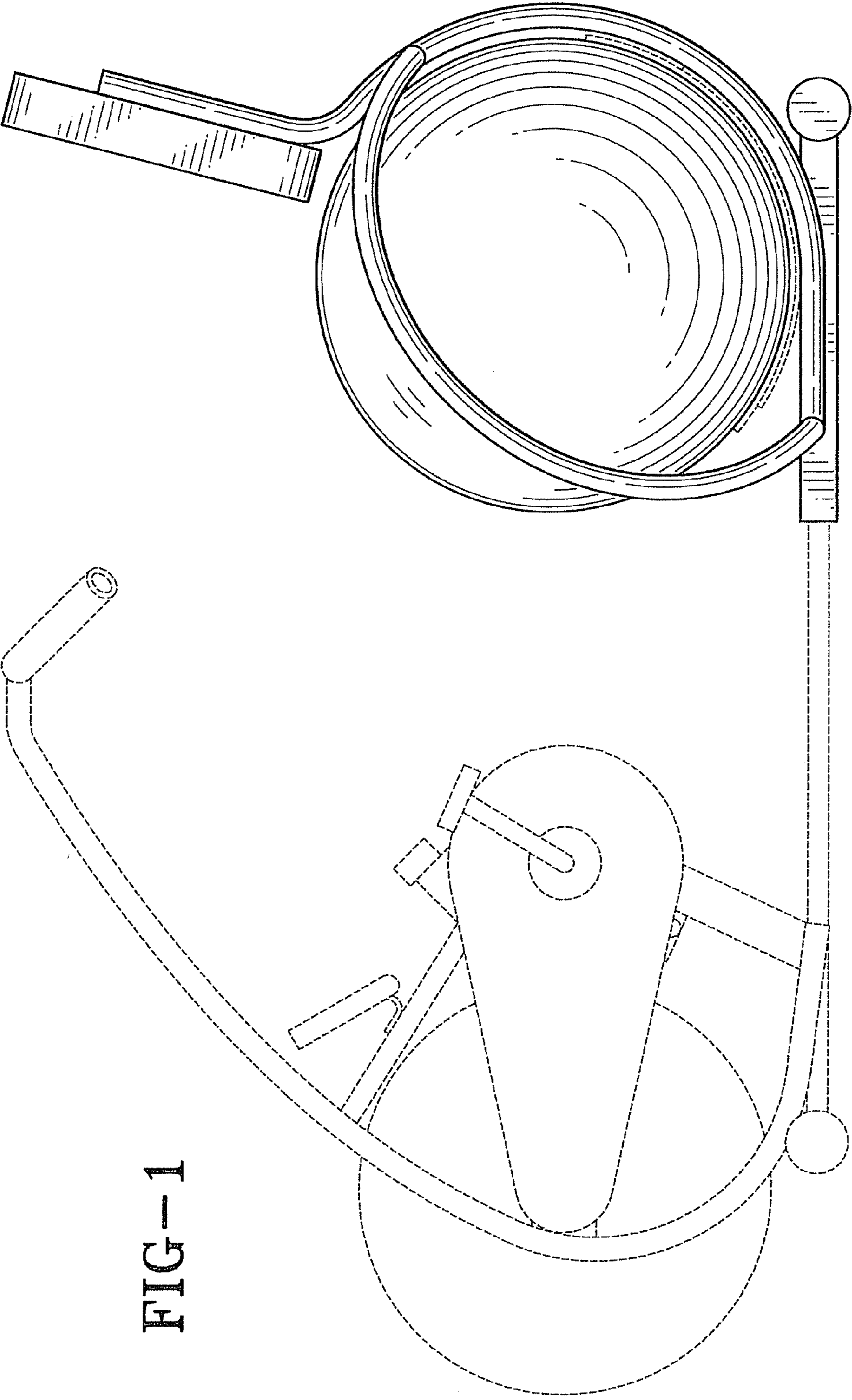
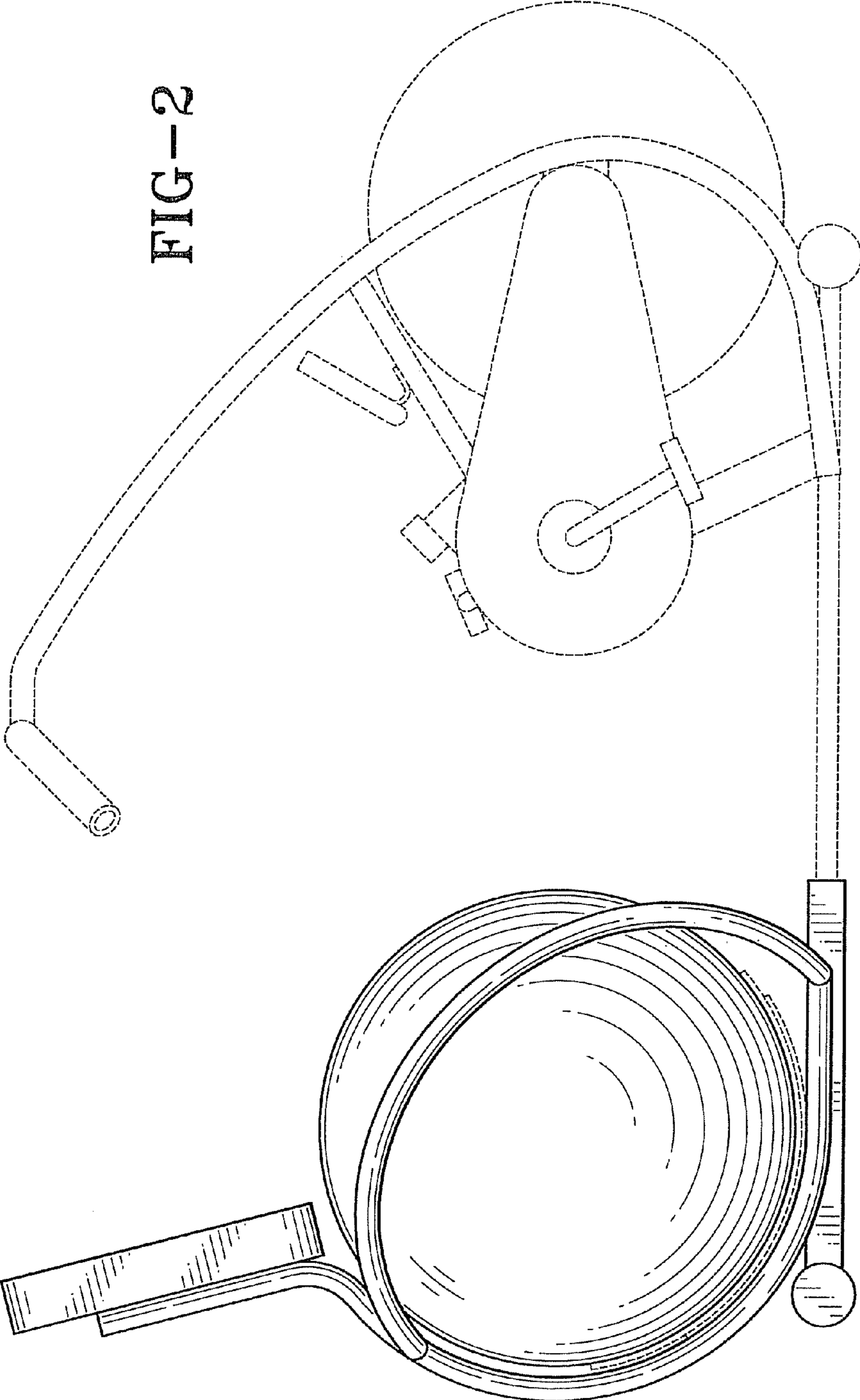


FIG-1

FIG-2



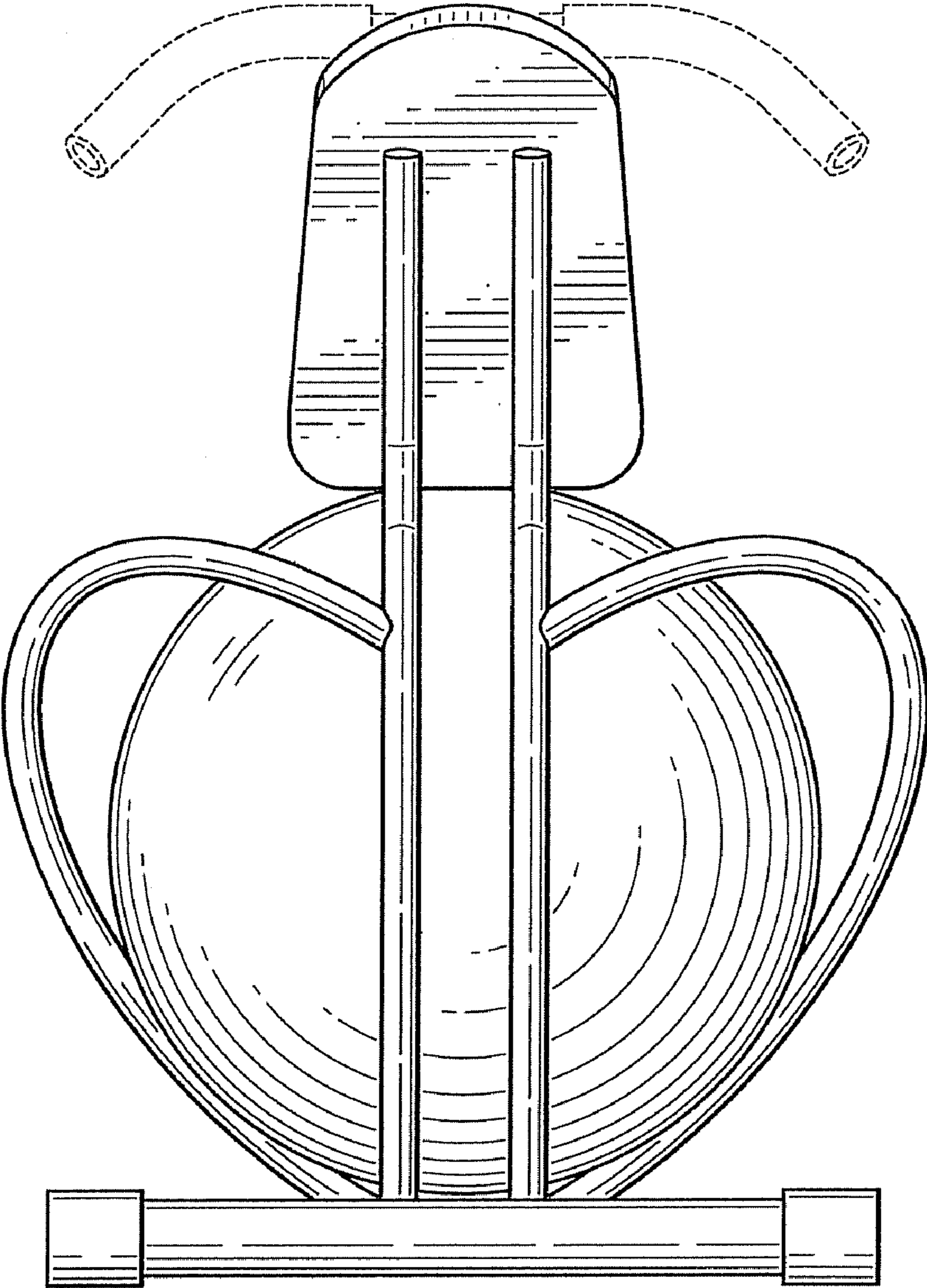


FIG-3

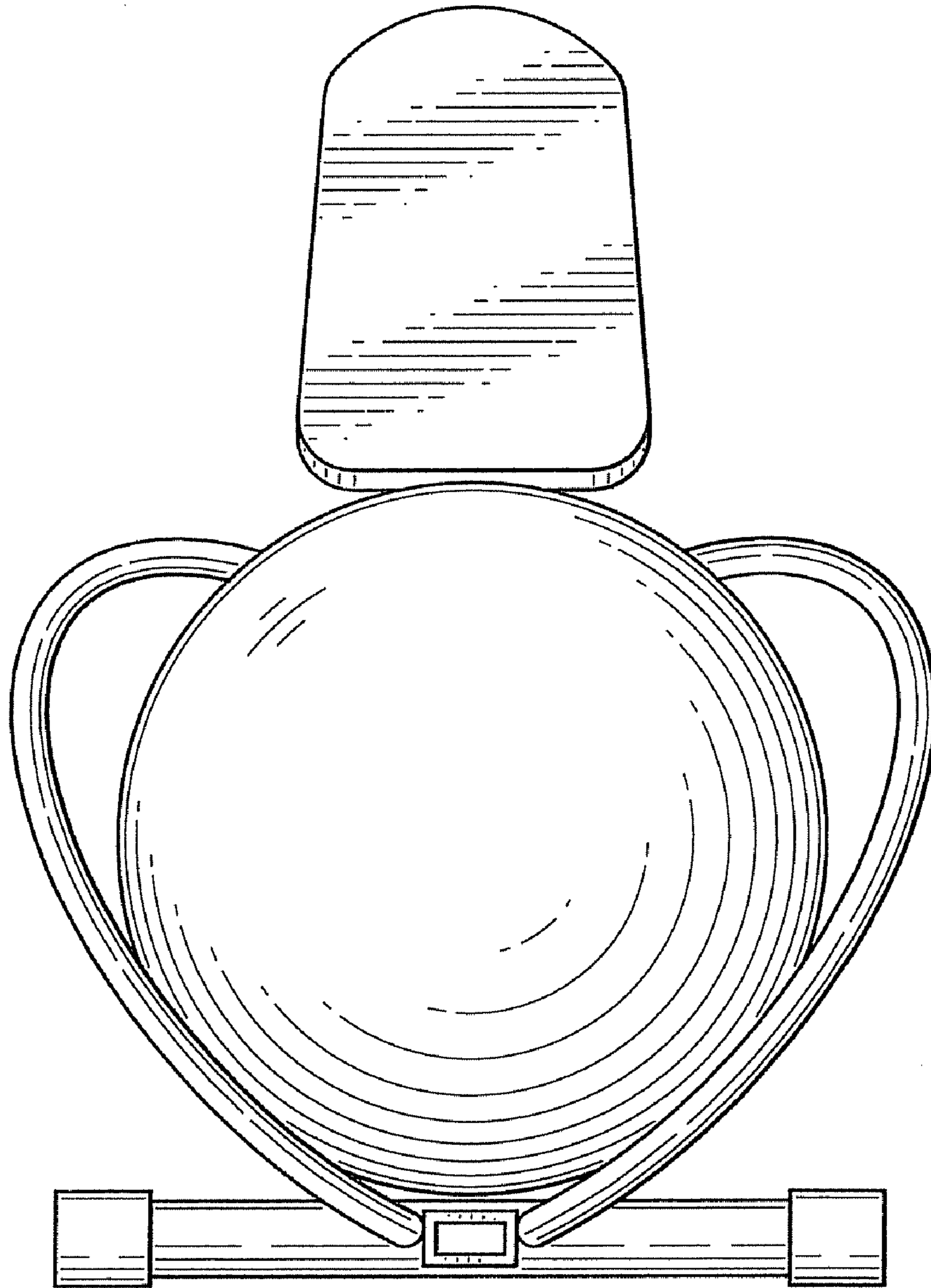


FIG-4

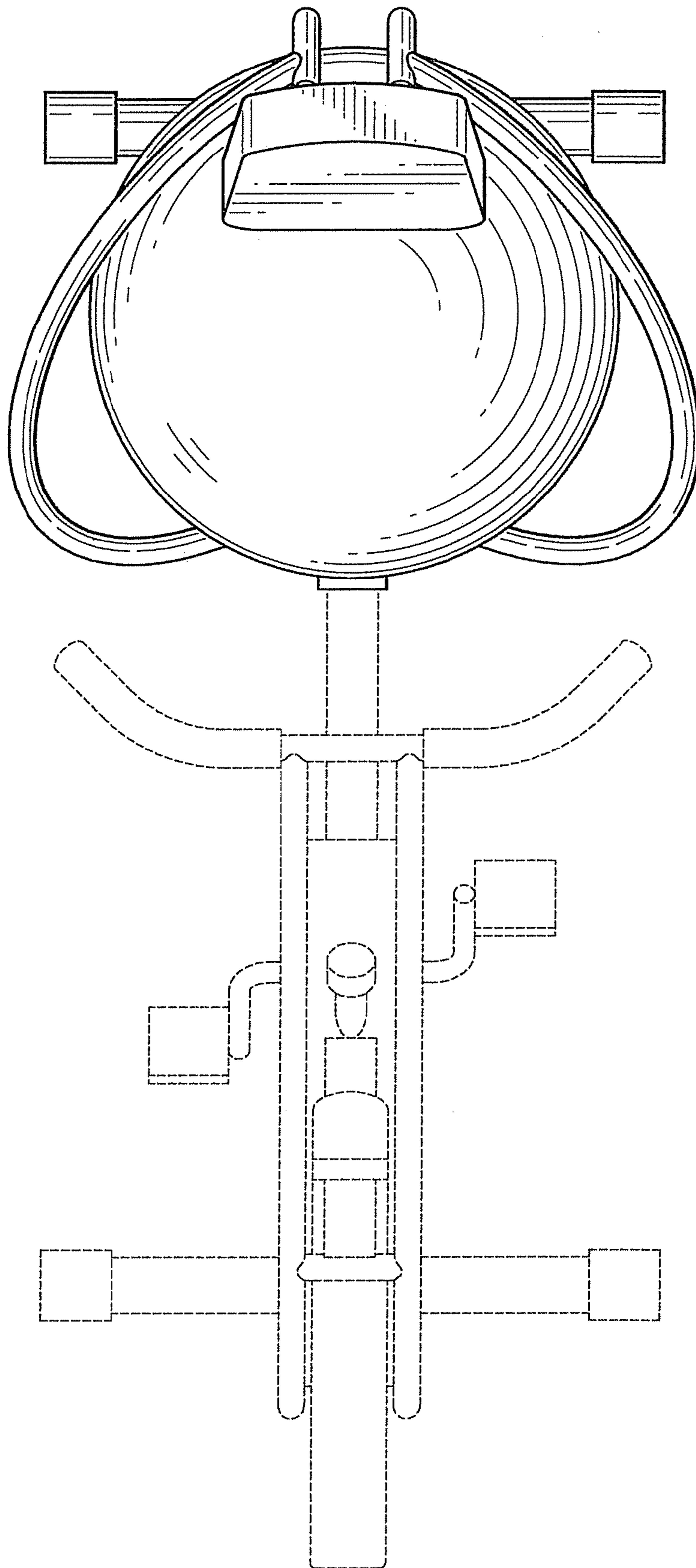


FIG-5

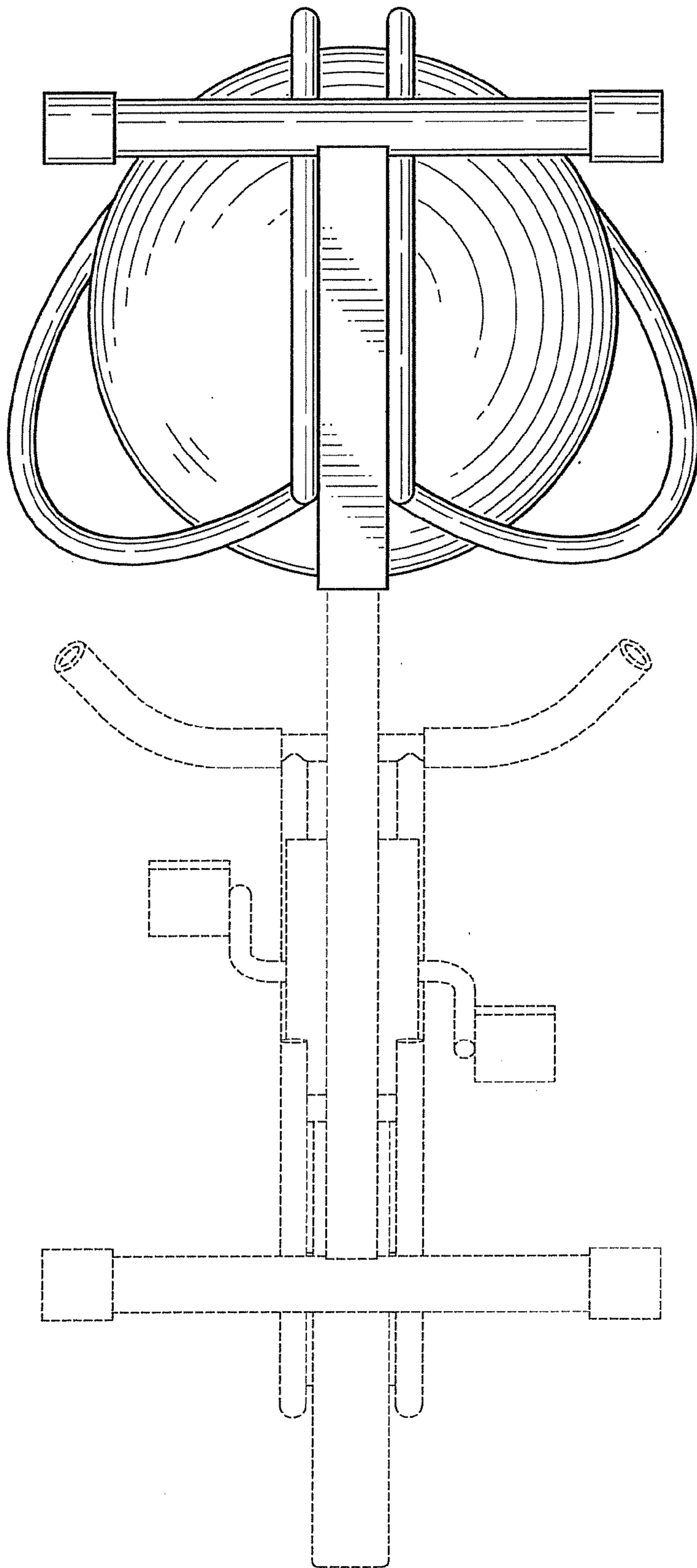


FIG-6

UNITED STATES PATENT AND TRADEMARK OFFICE
Certificate

Patent No. D. 625,370 S

Patented: October 12, 2010

On petition requesting issuance of a certificate for correction of inventorship pursuant to 35 U.S.C. 256, it has been found that the above identified patent, through error and without any deceptive intent, improperly sets forth the inventorship.

Accordingly, it is hereby certified that the correct inventorship of this patent is: Aaron D. Huber, Louisville, OH (US).

Signed and Sealed this Third Day of January 2012.

PHILIP S. HYDER
Supervisory Patent Examiner
Art Unit 2917
Technology Center 2900