



US00D625367S

(12) **United States Design Patent**
Shoui

(10) **Patent No.:** **US D625,367 S**
(45) **Date of Patent:** **** Oct. 12, 2010**

(54) **BLOCK FOR GAME DEVICE**

(75) Inventor: **Naoaki Shoui**, Tokyo (JP)

(73) Assignee: **Kabushiki Kaisha Sega**, Tokyo (JP)

(**) Term: **14 Years**

(21) Appl. No.: **29/332,779**

(22) Filed: **Feb. 25, 2009**

(30) **Foreign Application Priority Data**

Jan. 28, 2009 (JP) 2009-001585

(51) **LOC (9) Cl.** **21-01**

(52) **U.S. Cl.** **D21/385**

(58) **Field of Classification Search** D21/324-329,
D21/369-370, 385; 273/309; 463/16-17,
463/46-47

See application file for complete search history.

(56) **References Cited**

U.S. PATENT DOCUMENTS

D277,686 S *	2/1985	Chatani et al.	D21/501
D330,055 S *	10/1992	Jarnros	D21/500
D363,513 S *	10/1995	Frederiksen	D21/500
D371,398 S *	7/1996	Glynn	D21/500
D467,288 S *	12/2002	Sorensen	D21/500

* cited by examiner

Primary Examiner—Sandra Morris
(74) *Attorney, Agent, or Firm*—Dickstein Shapiro LLP

(57) **CLAIM**

The ornamental design for the block for game device, as shown and described.

DESCRIPTION

FIG. 1 is a front, top and right side perspective view of my new design for a block for game device;

FIG. 2 is a front elevational view of the block for game device of FIG. 1;

FIG. 3 is a rear elevational view of the block for game device of FIG. 1;

FIG. 4 is a top plan view of the block for game device of FIG. 1;

FIG. 5 is a bottom plan view of the block for game device of FIG. 1;

FIG. 6 is a right side elevational view of the block for game device of FIG. 1;

FIG. 7 is a left side elevational view of the block for game device of FIG. 1; and,

FIG. 8 is an end elevational view of the cut section of the block for game device of FIG. 1 taken along the line 8—8 in FIG. 2 in which internal structure is omitted.

1 Claim, 8 Drawing Sheets

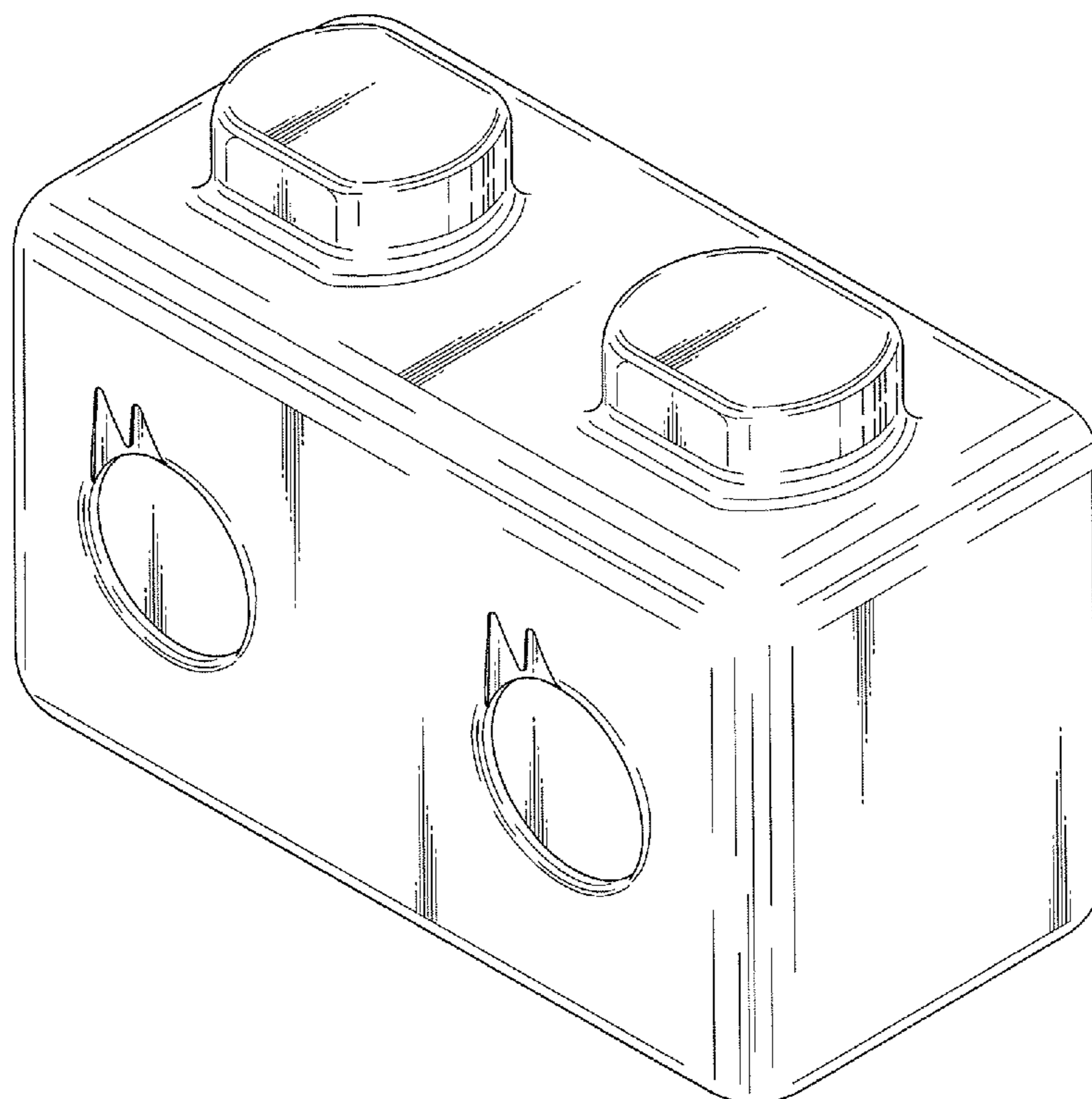


FIG.1

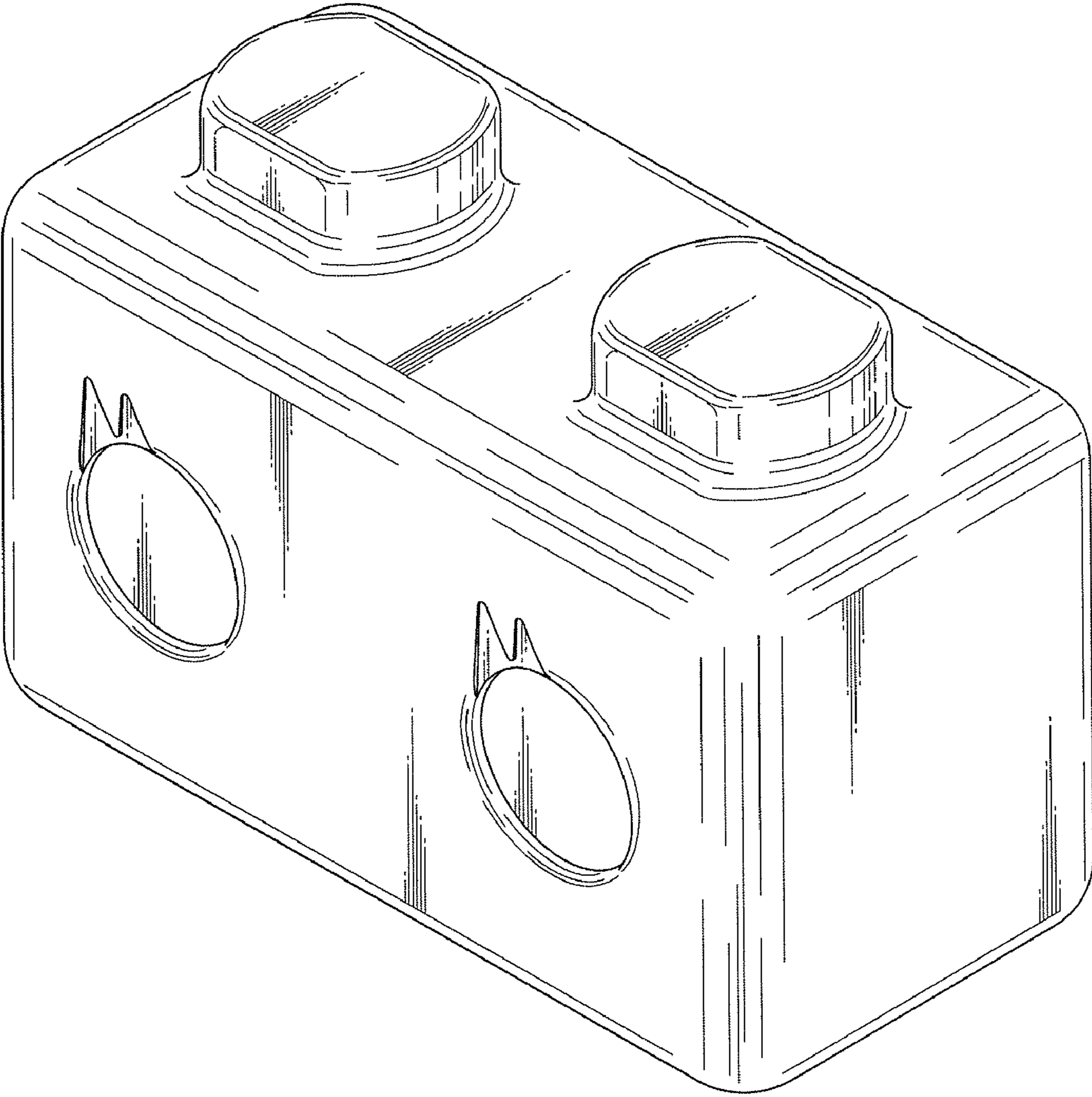


FIG.2

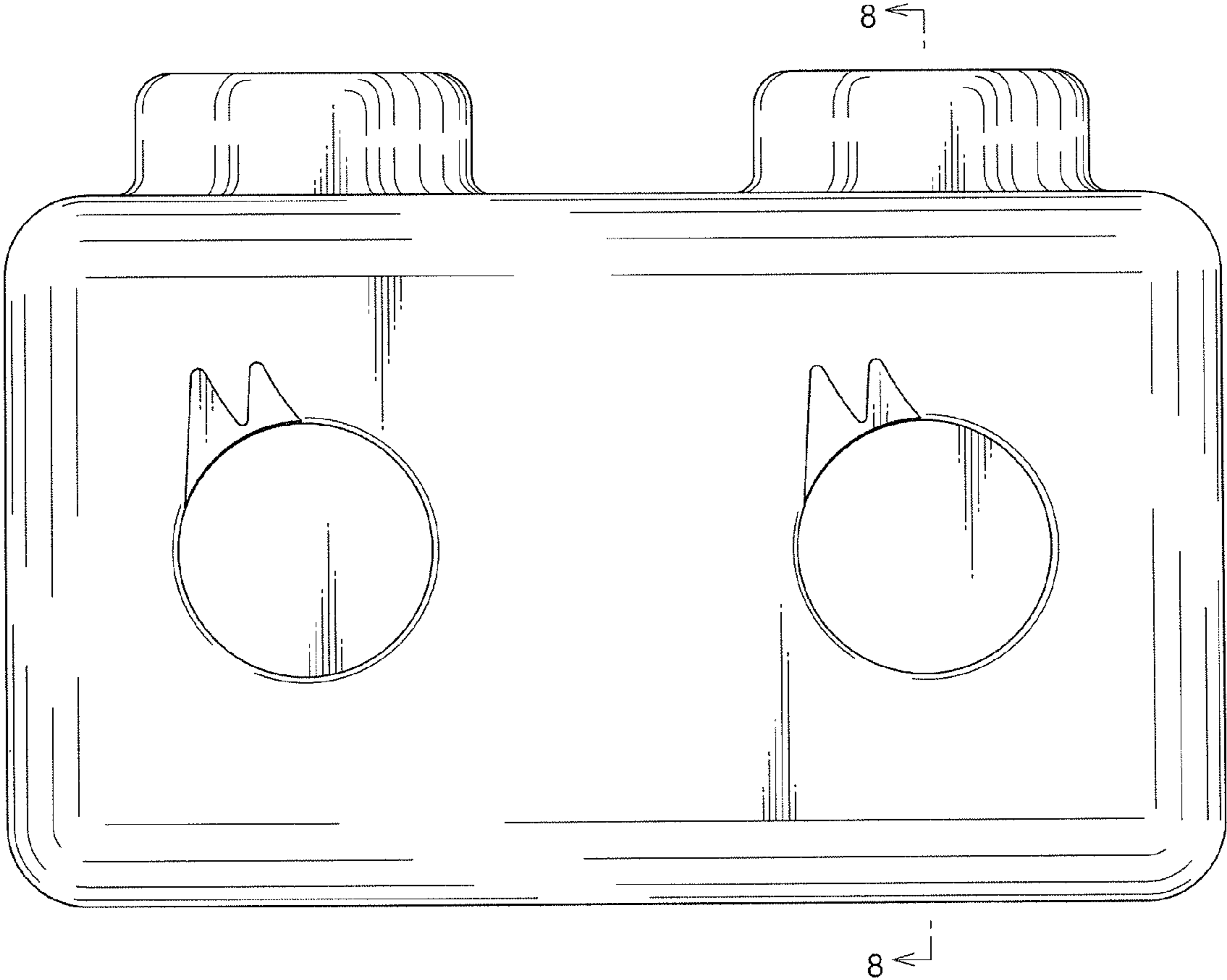


FIG.3

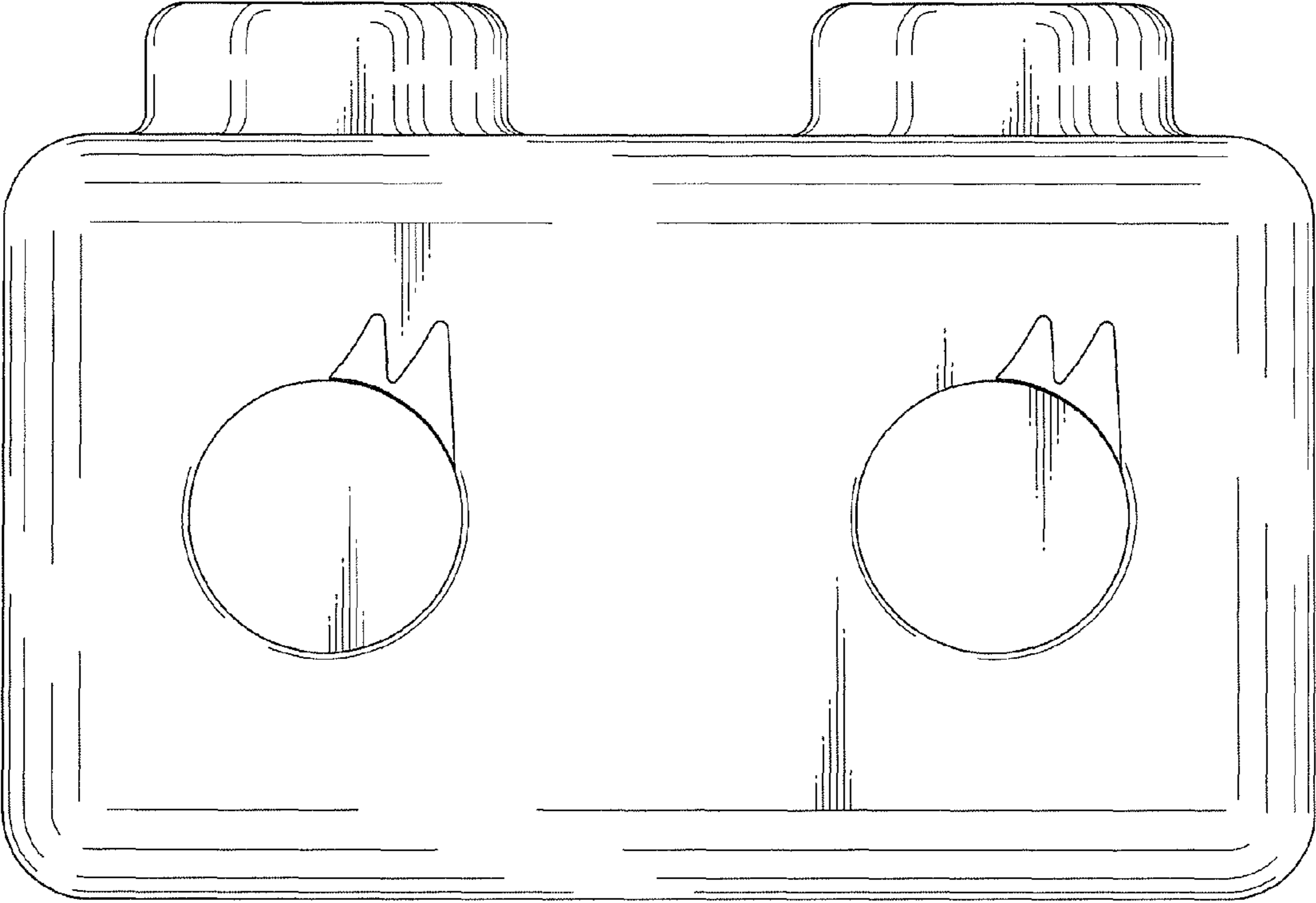


FIG.4

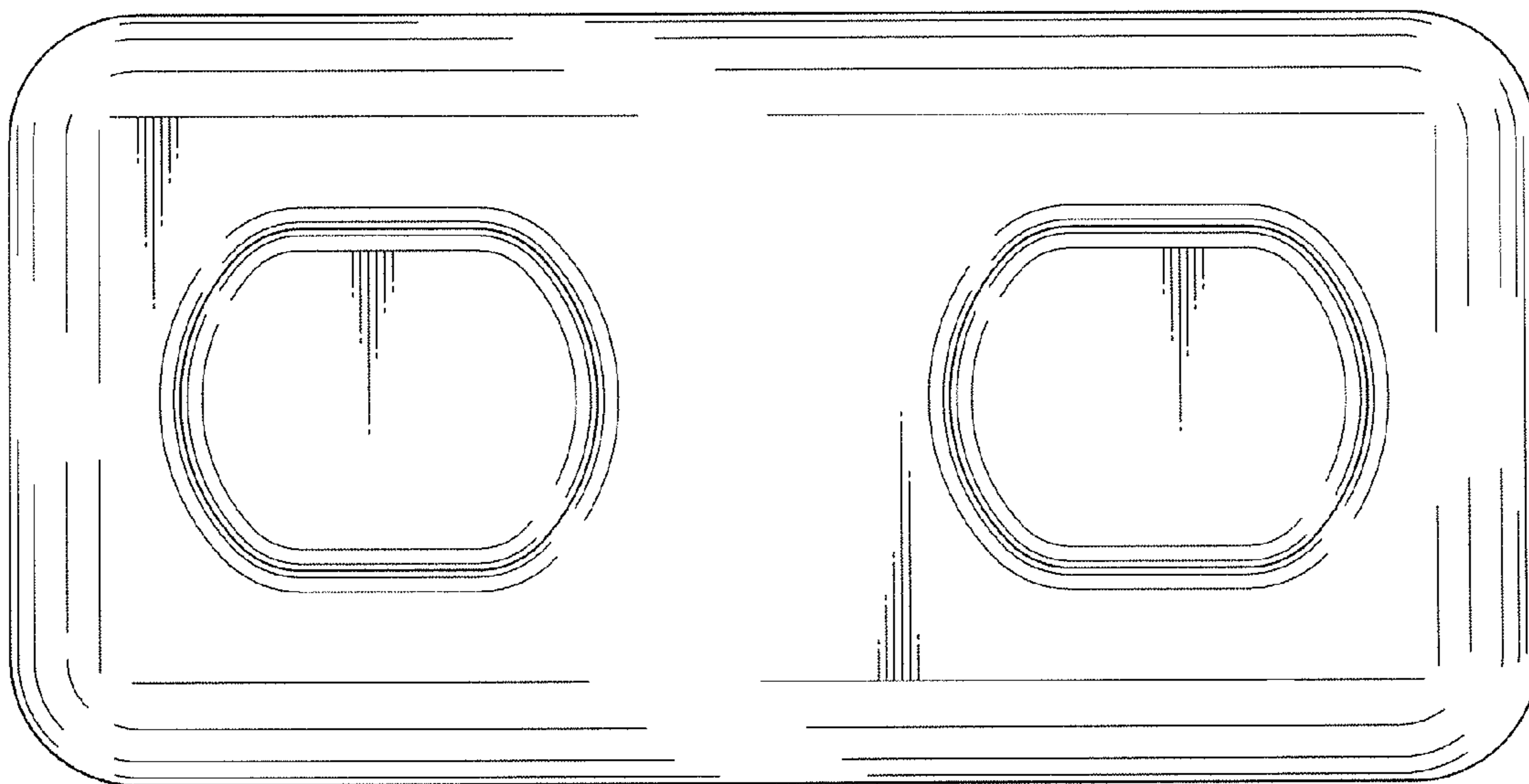


FIG.5

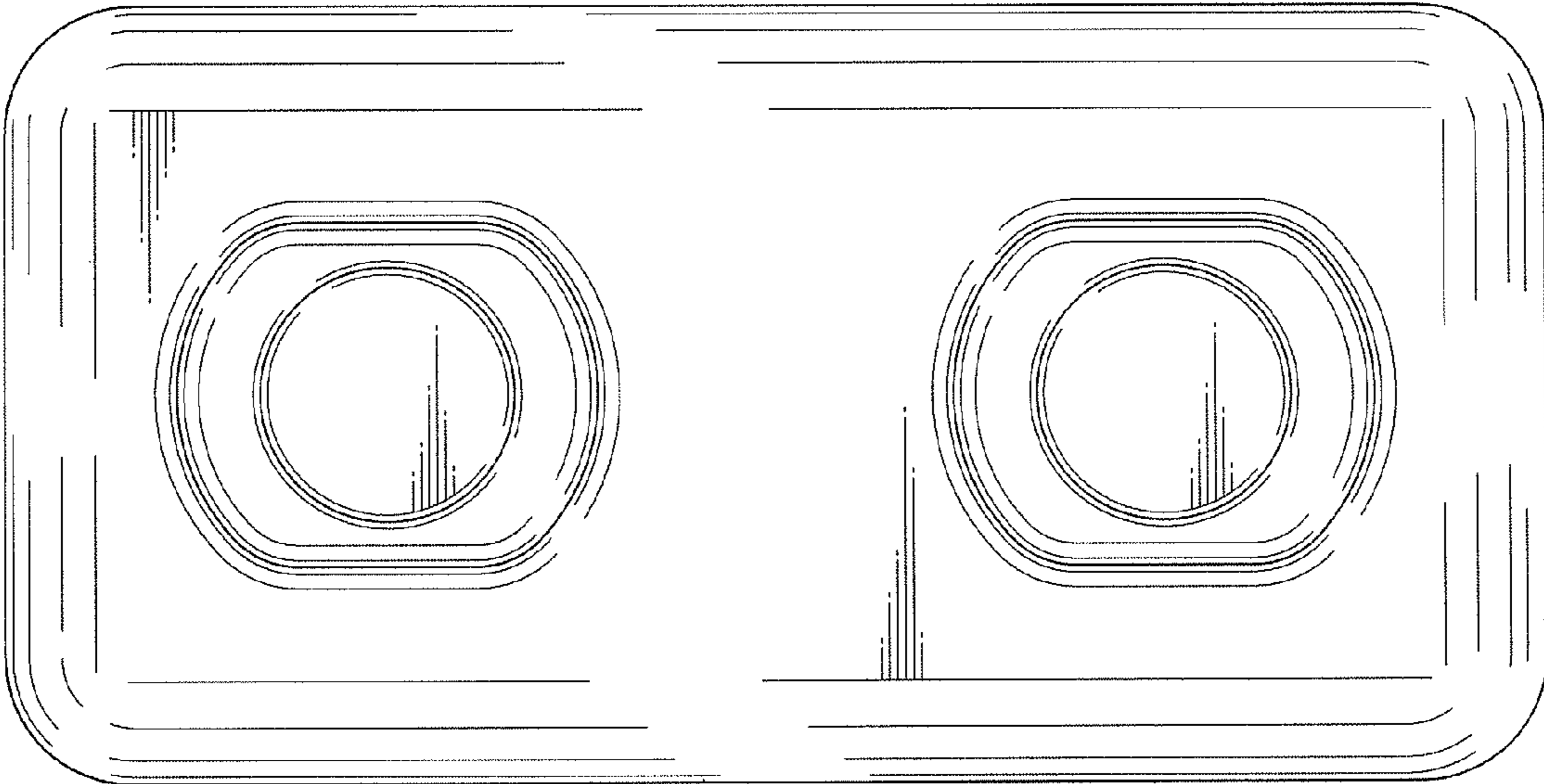


FIG.6

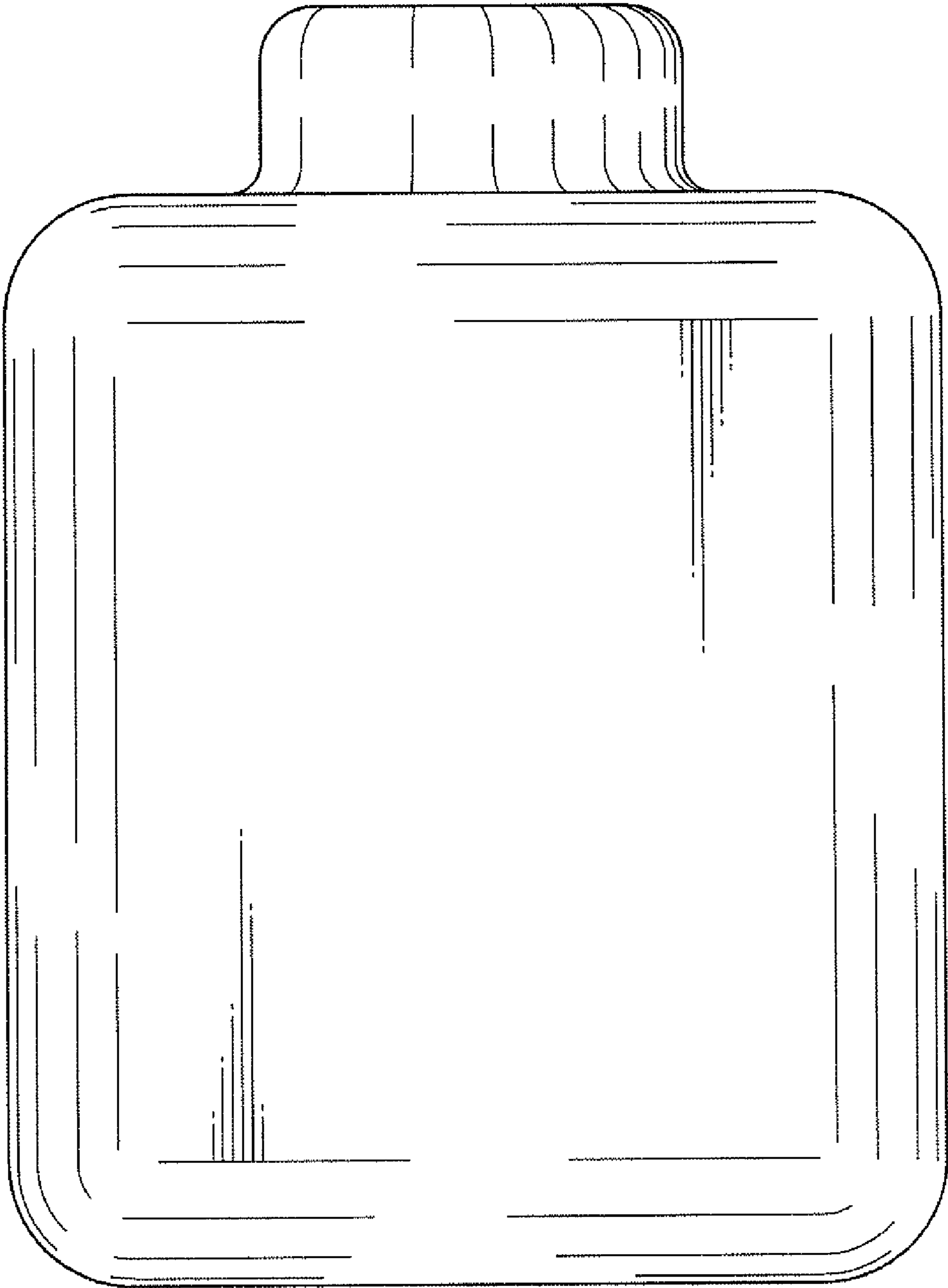


FIG.7

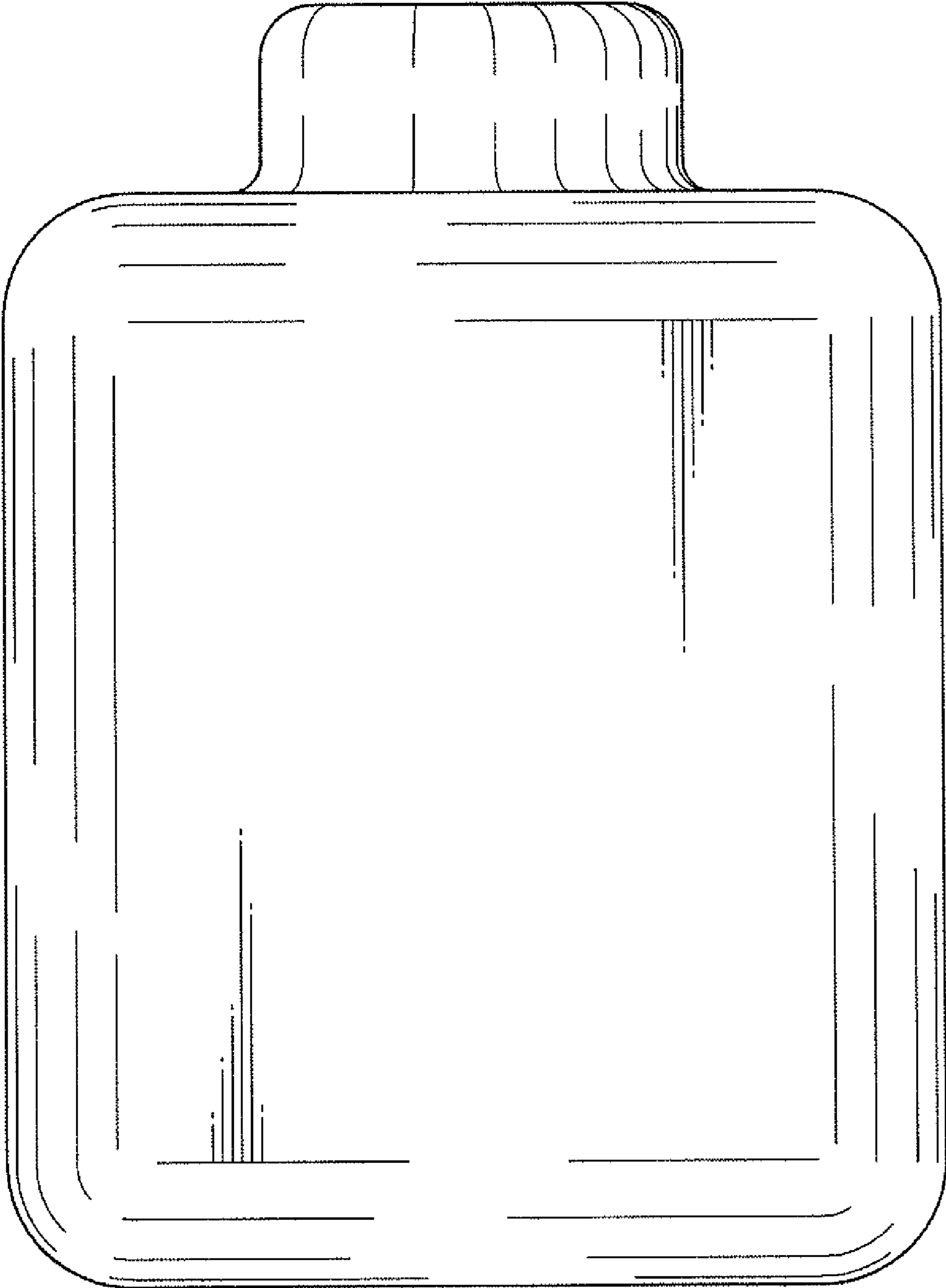


FIG.8

