



US00D625366S

(12) **United States Design Patent**  
**Shoui et al.**

(10) **Patent No.:** **US D625,366 S**  
(45) **Date of Patent:** **\*\* Oct. 12, 2010**

(54) **ELECTRONIC DARTS GAME DEVICE**

D455,461 S \* 4/2002 Huang ..... D21/307  
6,805,354 B2 \* 10/2004 Martin et al. .... 273/378  
6,974,133 B2 \* 12/2005 Martin et al. .... 273/378  
2002/0135131 A1 \* 9/2002 Martin et al. .... 273/371  
2002/0171204 A1 \* 11/2002 Martin et al. .... 273/378

(75) Inventors: **Naoaki Shoui**, Tokyo (JP); **Gendai Komatsu**, Tokyo (JP)

(73) Assignee: **Kabushiki Kaisha Sega**, Tokyo (JP)

\* cited by examiner

(\*\*) Term: **14 Years**

*Primary Examiner*—Prabhakar Deshmukh  
(74) *Attorney, Agent, or Firm*—Dickstein Shapiro LLP

(21) Appl. No.: **29/309,570**

(22) Filed: **Sep. 5, 2008**

(57) **CLAIM**

The ornamental design for an electronic darts game device, as shown and described.

(30) **Foreign Application Priority Data**

Mar. 7, 2008 (JP) ..... 2008-005734

**DESCRIPTION**

(51) **LOC (9) Cl.** ..... **21-01**

FIG. 1 is a front elevational view of our new design for an electronic darts game device;

(52) **U.S. Cl.** ..... **D21/307; D21/325**

FIG. 2 is a rear elevational view of the electronic darts game device of FIG. 1;

(58) **Field of Classification Search** ..... D21/324,  
D21/328, 333, 307, 308, 369; 273/148 B,  
273/407, 408, 317, 348, 237, 287, 138.2,  
273/459, 460; 463/1, 2, 46-57; 206/315.3,  
206/315.11

FIG. 3 is a top plan view of the electronic darts game device of FIG. 1;

See application file for complete search history.

FIG. 4 is a bottom plan view of the electronic darts game device of FIG. 1;

(56) **References Cited**

FIG. 5 is a right side elevational view of the electronic darts game device of FIG. 1; and,

**U.S. PATENT DOCUMENTS**

FIG. 6 is a left side elevational view of the electronic darts game device of FIG. 1.

4,561,660 A \* 12/1985 Zammuto ..... 273/376  
5,540,445 A \* 7/1996 Lee ..... 273/371  
5,743,533 A \* 4/1998 Wiles et al. .... 280/5.507  
5,967,518 A \* 10/1999 Rowe ..... 273/317.5  
D423,597 S \* 4/2000 Martin et al. .... D21/307  
D448,809 S \* 10/2001 Jones ..... D21/328

The broken lines shown in FIGS. 1-3, 5 and 6 are for illustrative purposes only and form no part of the claimed design.

**1 Claim, 6 Drawing Sheets**

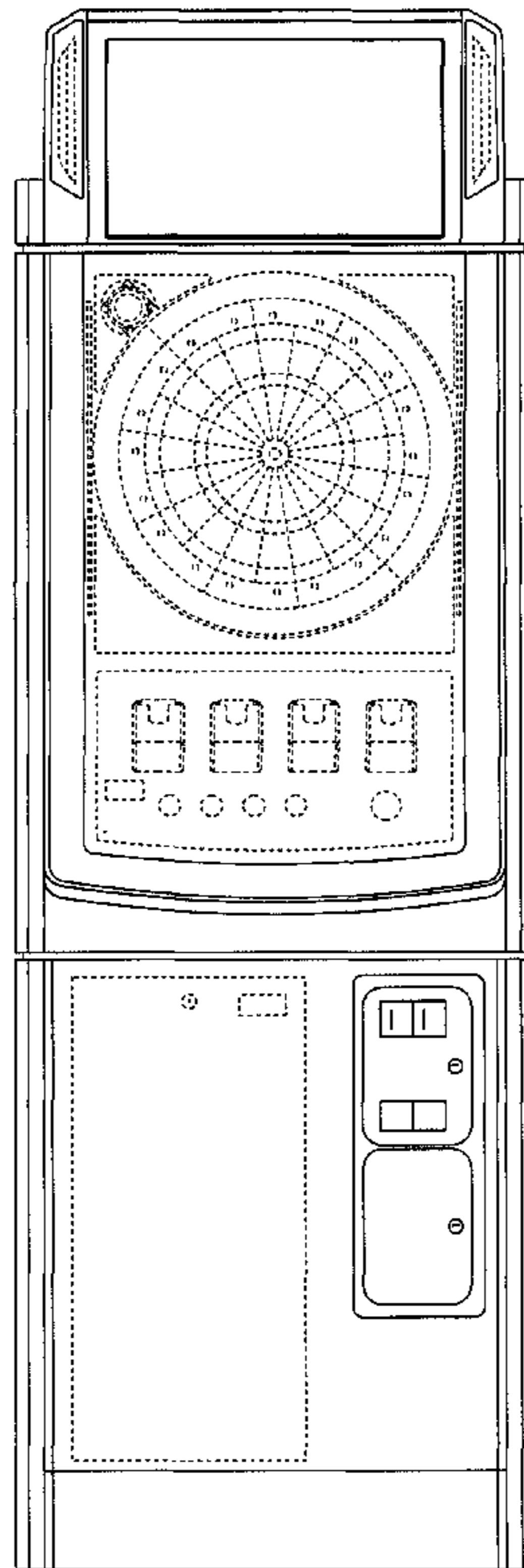


FIG. 1

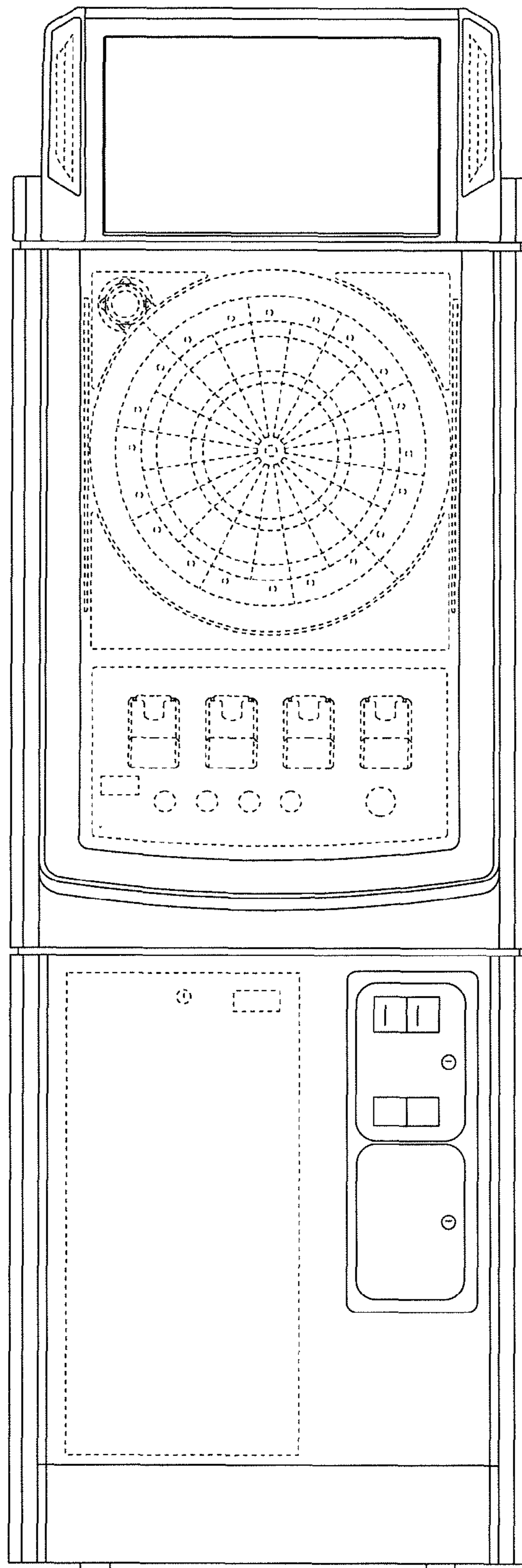


FIG.2

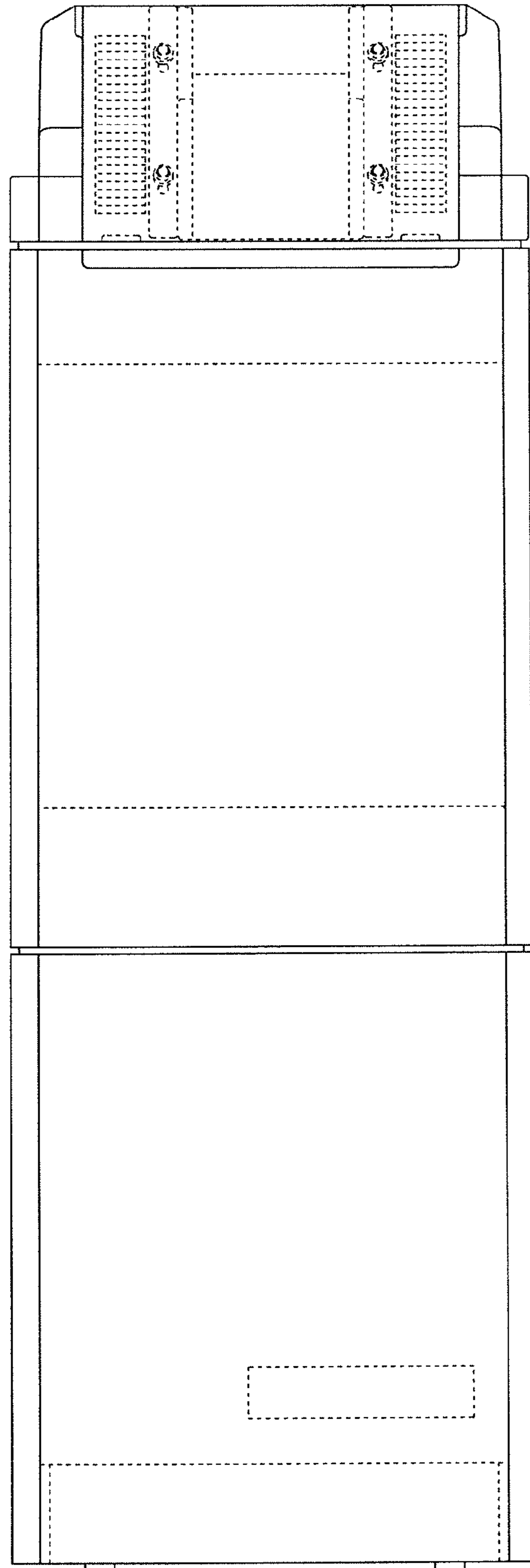


FIG.3

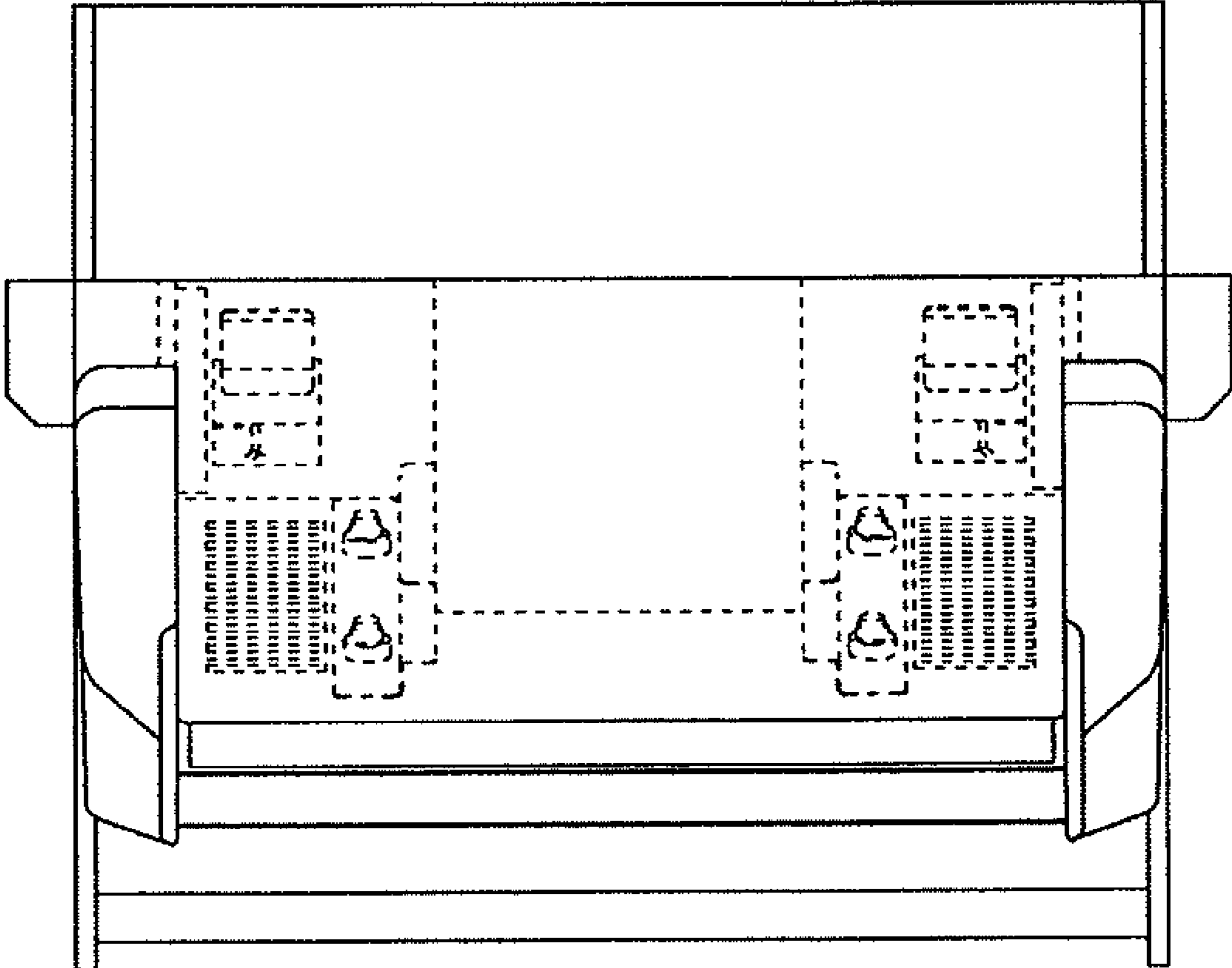


FIG.4

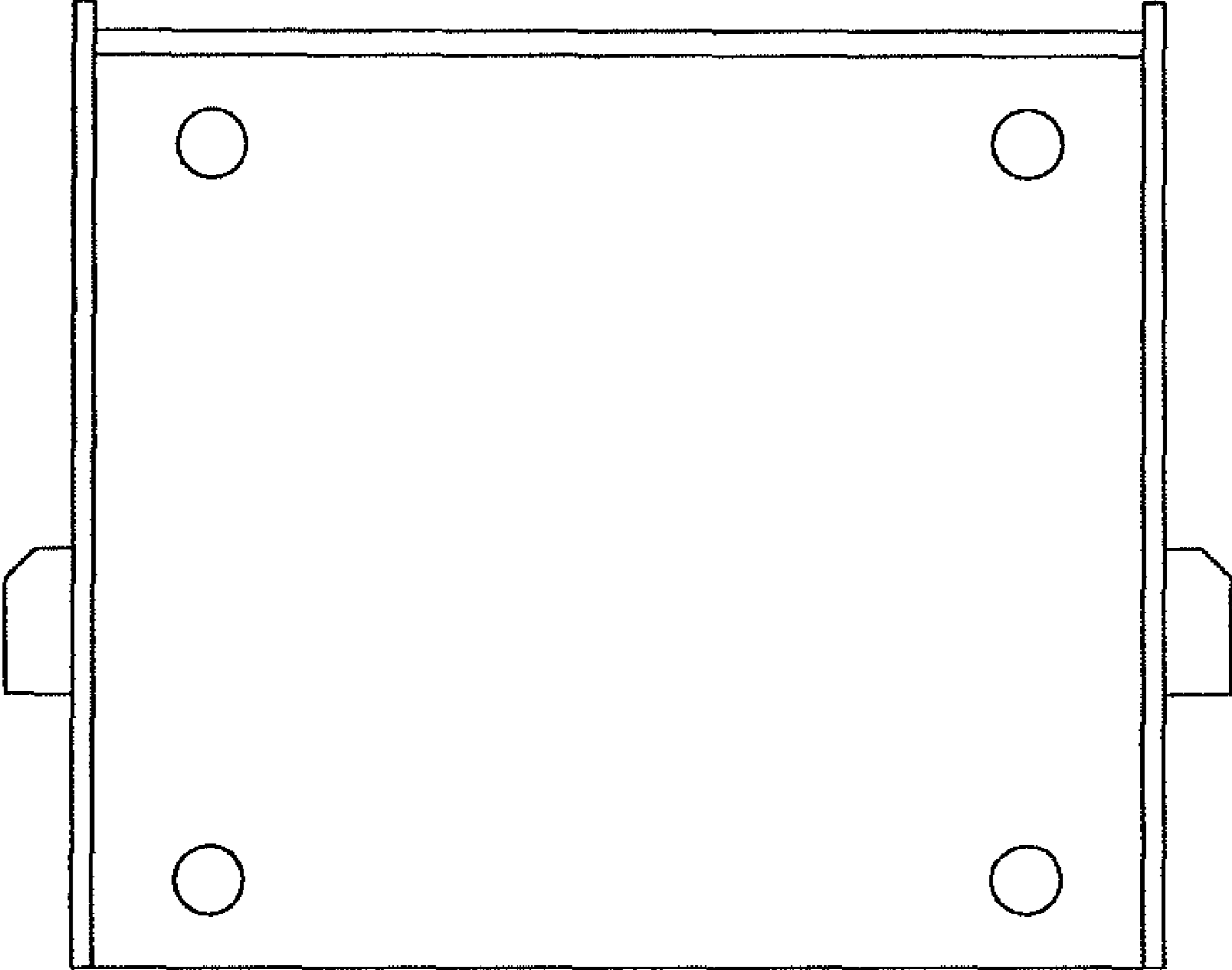


FIG.5

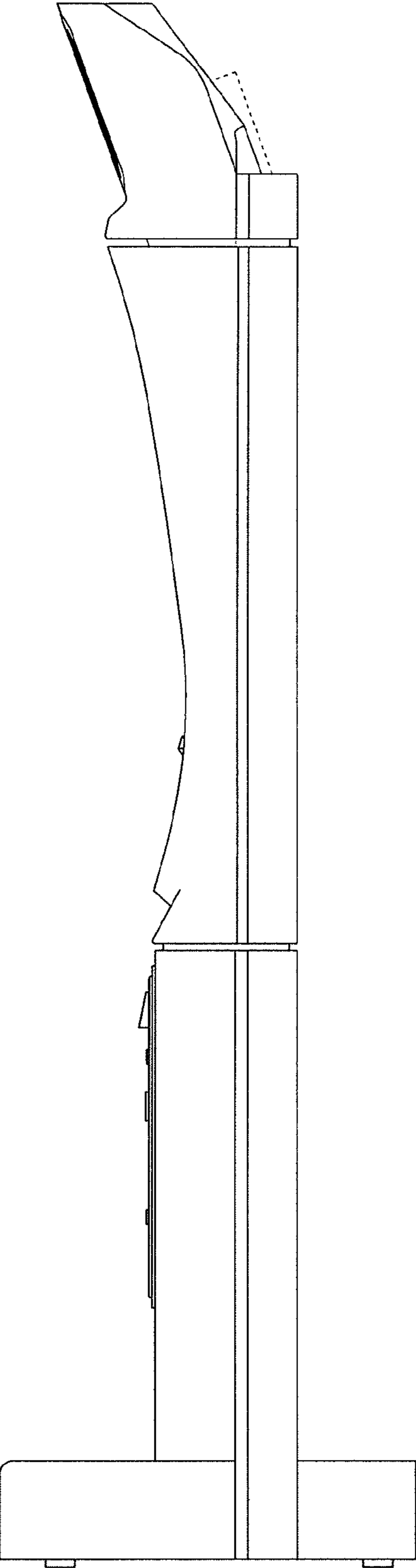


FIG.6

