



US00D625363S

(12) **United States Design Patent**  
**Lee**

(10) **Patent No.:** **US D625,363 S**  
(45) **Date of Patent:** **\*\* Oct. 12, 2010**

- (54) **ILLUMINATED EXIT SIGN**
- (75) Inventor: **Sung-Keun Lee**, Huizhou (CN)
- (73) Assignee: **Je Woo Corporation, Ltd., Hui Yang**,  
Guang Dong (CN)
- (\*\*) Term: **14 Years**
- (21) Appl. No.: **29/332,085**
- (22) Filed: **Feb. 8, 2009**
- (30) **Foreign Application Priority Data**  
Nov. 7, 2008 (CN) ..... 2008 3 0252498
- (51) **LOC (9) Cl.** ..... **20-03**
- (52) **U.S. Cl.** ..... **D20/42**
- (58) **Field of Classification Search** ..... D20/10,  
D20/17, 19, 40, 42, 99; 40/523, 538, 541,  
40/542, 546, 570, 572, 600, 607.01; D10/104,  
D10/109, 114; 362/20, 147, 230, 234, 326,  
362/368, 561, 599  
See application file for complete search history.

- D445,138 S \* 7/2001 Stark et al. .... D20/42
- 6,467,208 B1 \* 10/2002 Patterson ..... 40/570
- D472,277 S \* 3/2003 Beghelli ..... D20/42
- D474,509 S \* 5/2003 Kim ..... D20/42
- D478,633 S \* 8/2003 Beghelli ..... D20/42

\* cited by examiner

*Primary Examiner*—Mary Ann Calabrese  
(74) *Attorney, Agent, or Firm*—Banger Shia

(57) **CLAIM**

The ornamental design for an illuminated exit sign, as shown and described.

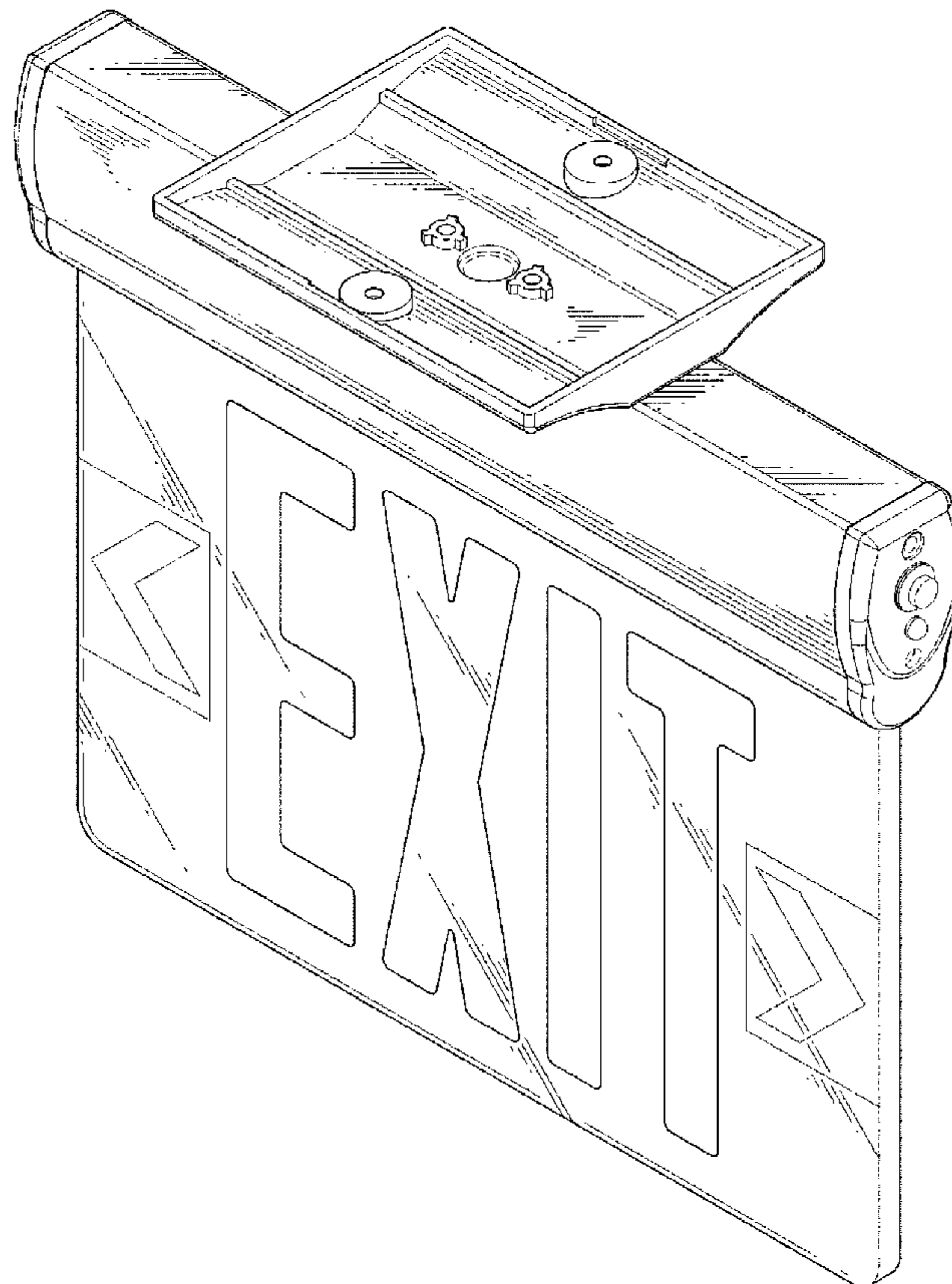
**DESCRIPTION**

- FIG. 1 is a perspective view of an illuminated exit sign showing my new design;
- FIG. 2 is a front elevational view thereof;
- FIG. 3 is a rear elevational view thereof;
- FIG. 4 is a left side elevational view thereof;
- FIG. 5 is a right side elevational view thereof;
- FIG. 6 is a top plan view thereof; and,
- FIG. 7 is a bottom plan view thereof.

In the drawings, the broken lines represent features of the design forming no part of the claim.

- (56) **References Cited**  
U.S. PATENT DOCUMENTS  
5,829,177 A \* 11/1998 Hjaltason ..... 40/546  
6,240,664 B1 \* 6/2001 Hjaltason ..... 40/546  
6,241,369 B1 \* 6/2001 Mackiewicz ..... 362/368

**1 Claim, 5 Drawing Sheets**



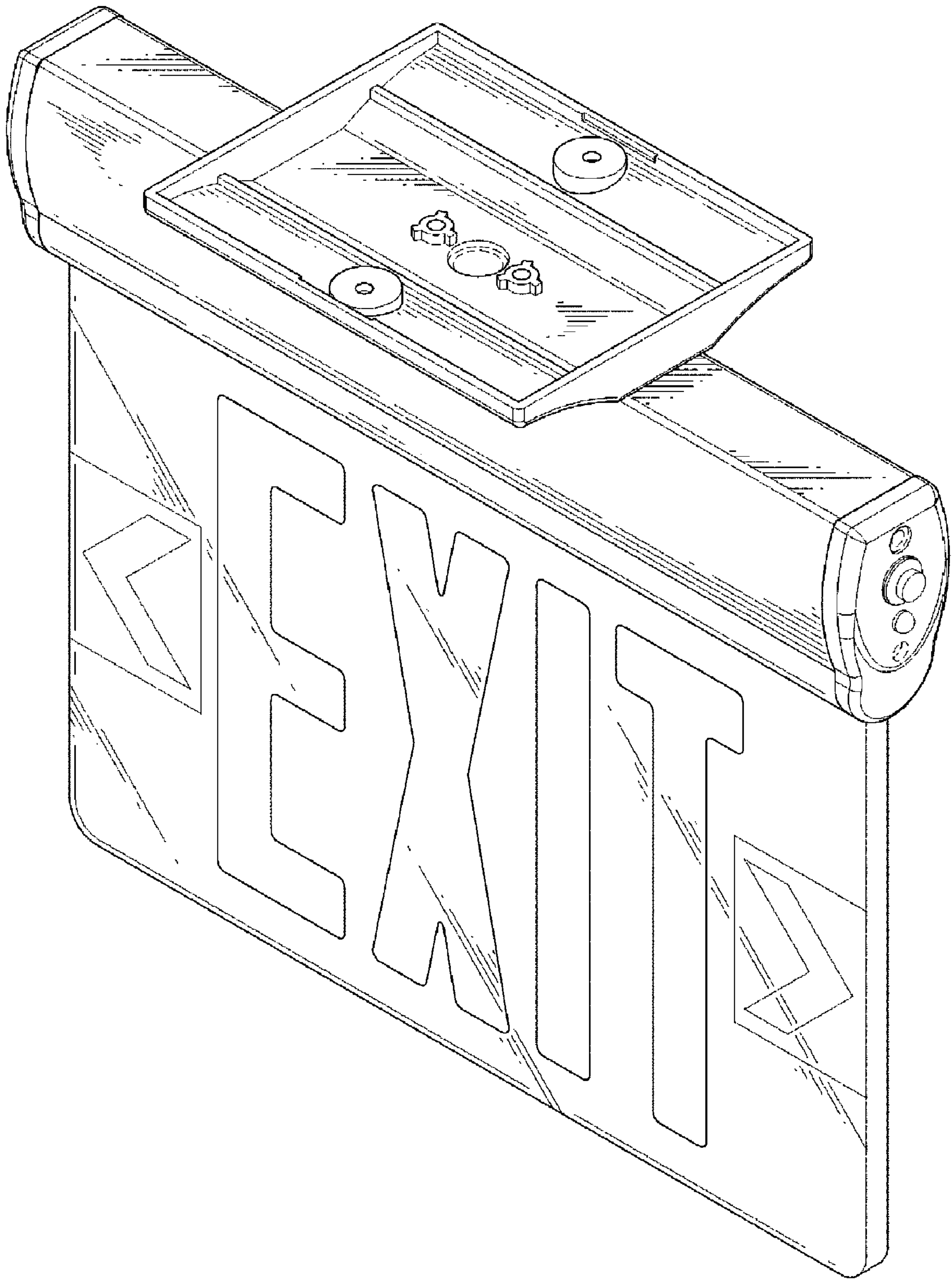


FIG. 1

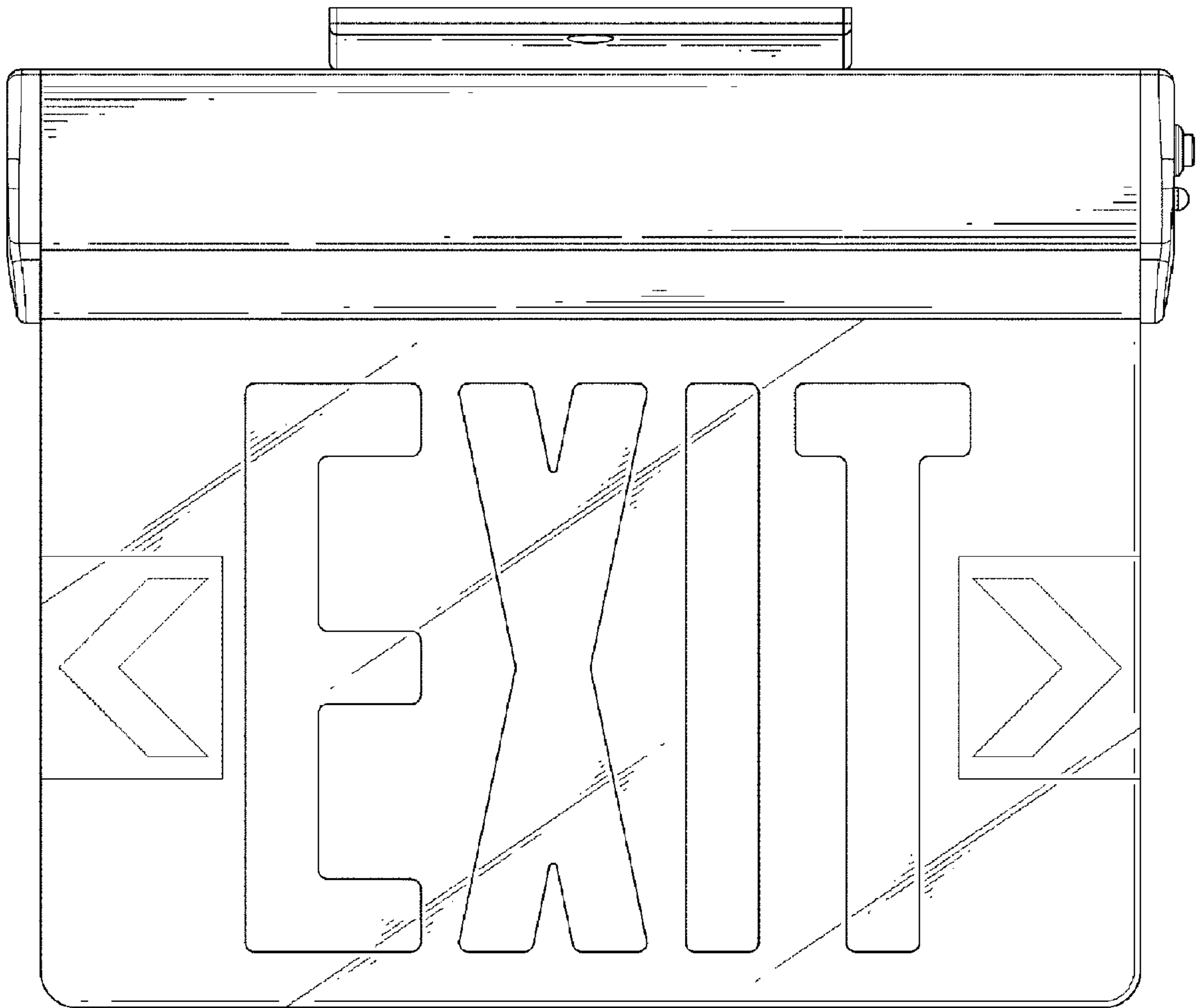


FIG. 2

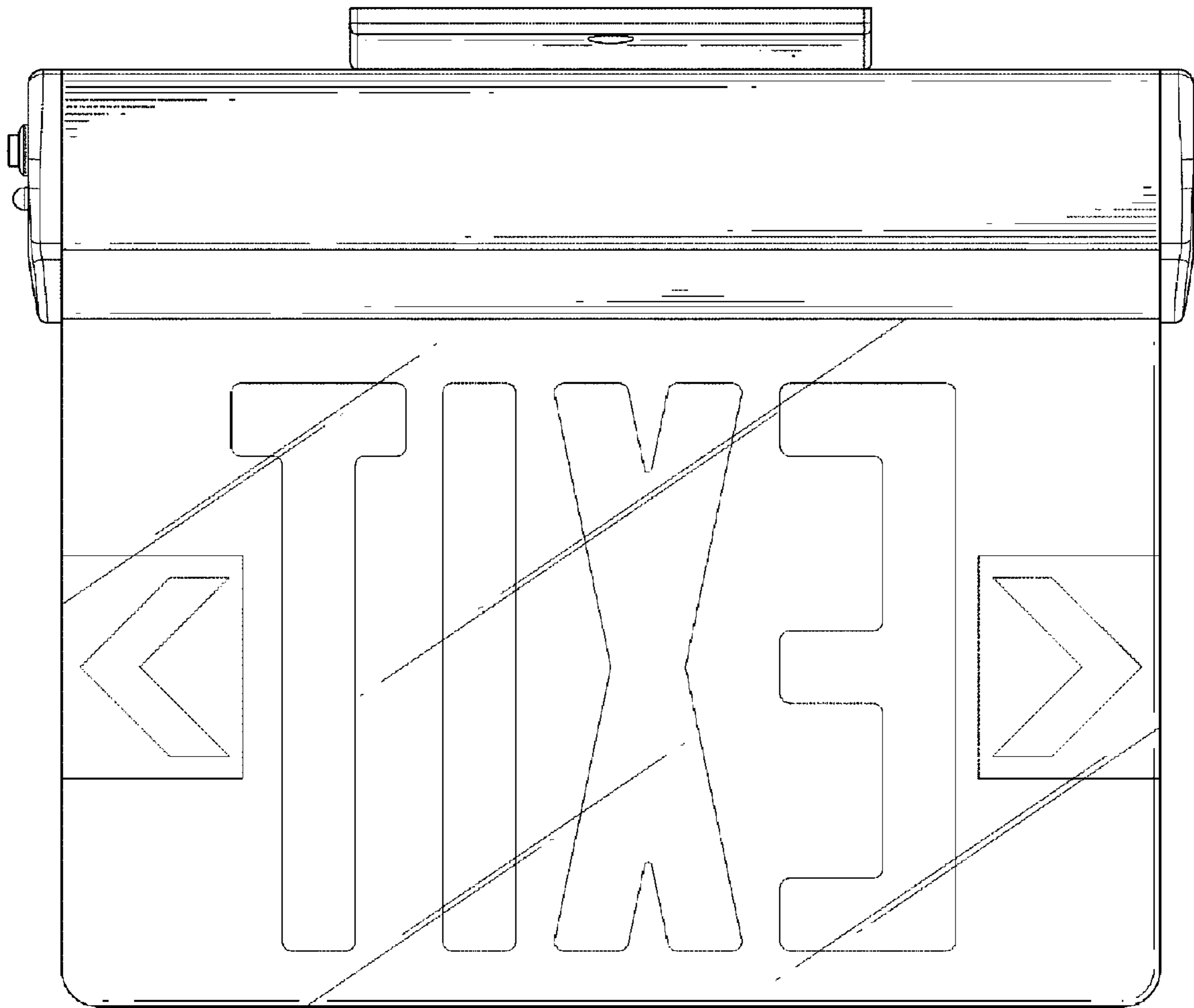


FIG. 3

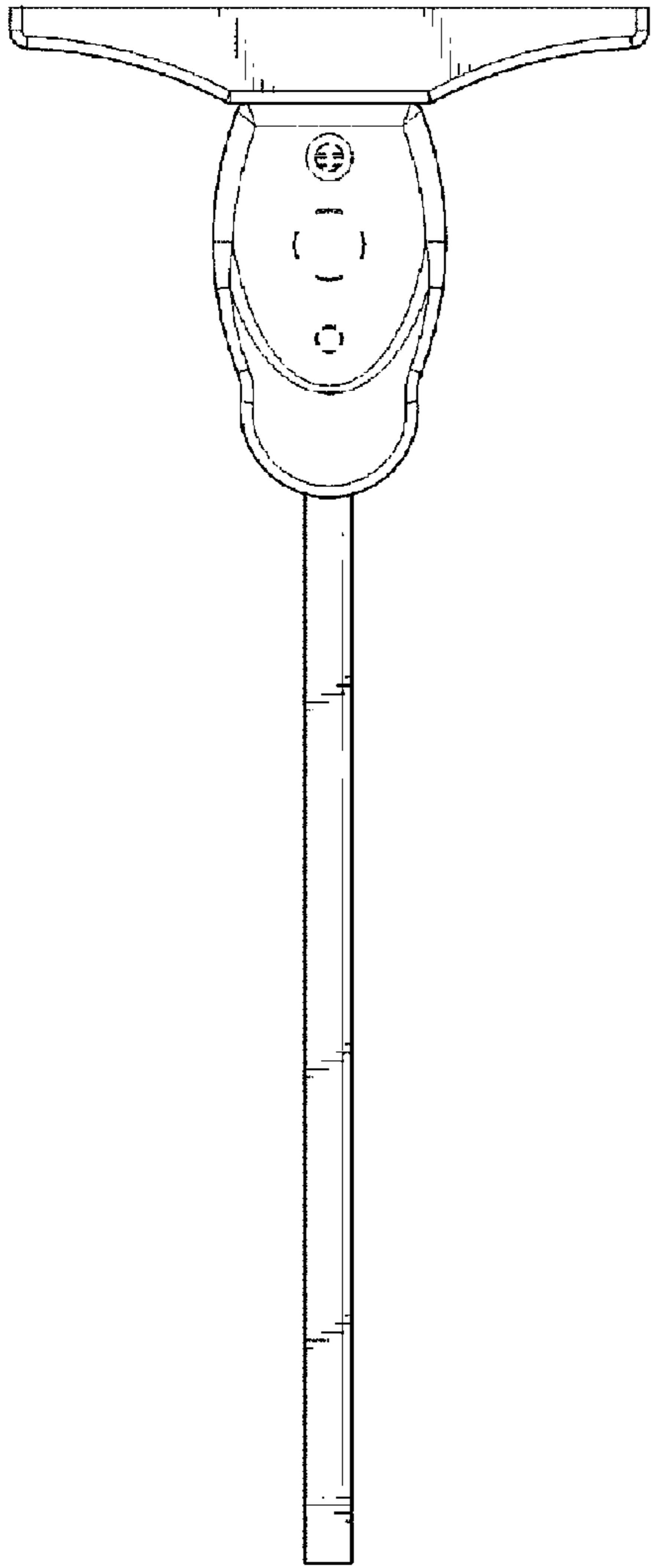


FIG. 4

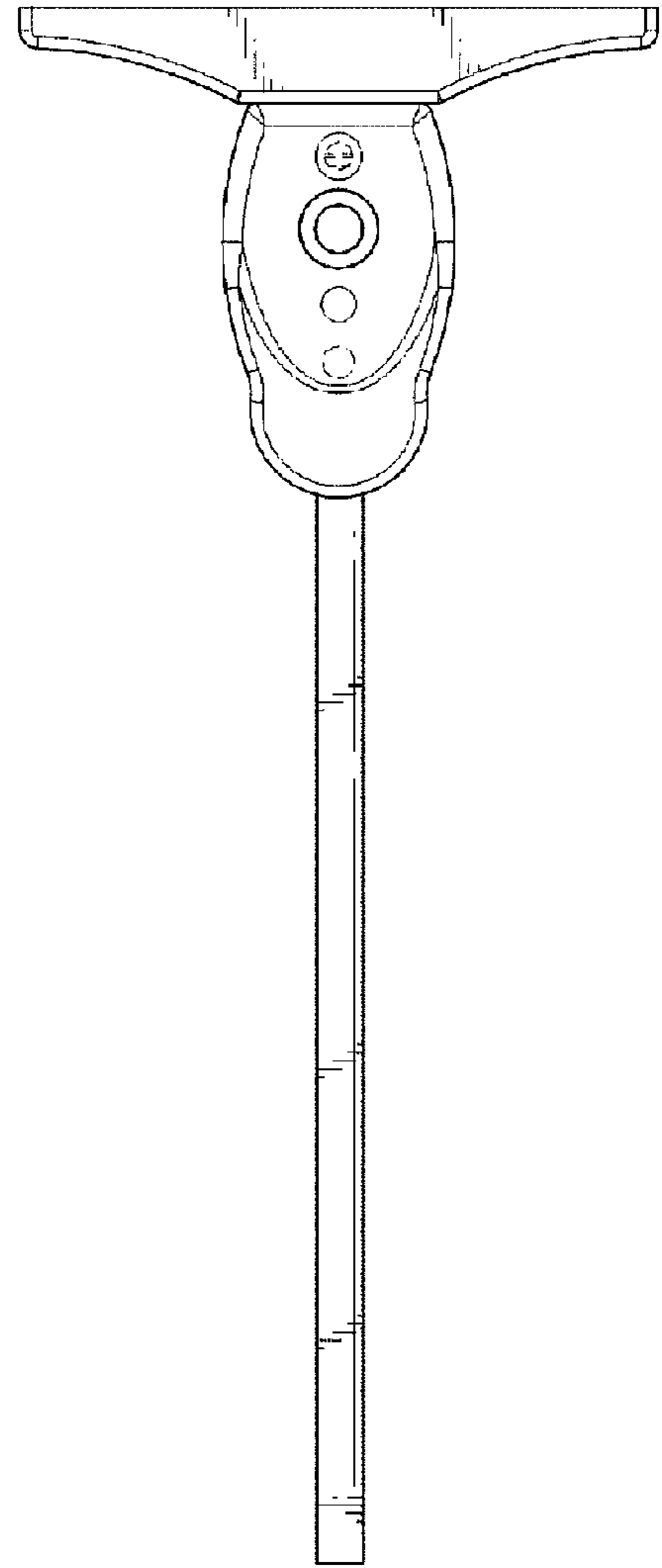


FIG. 5

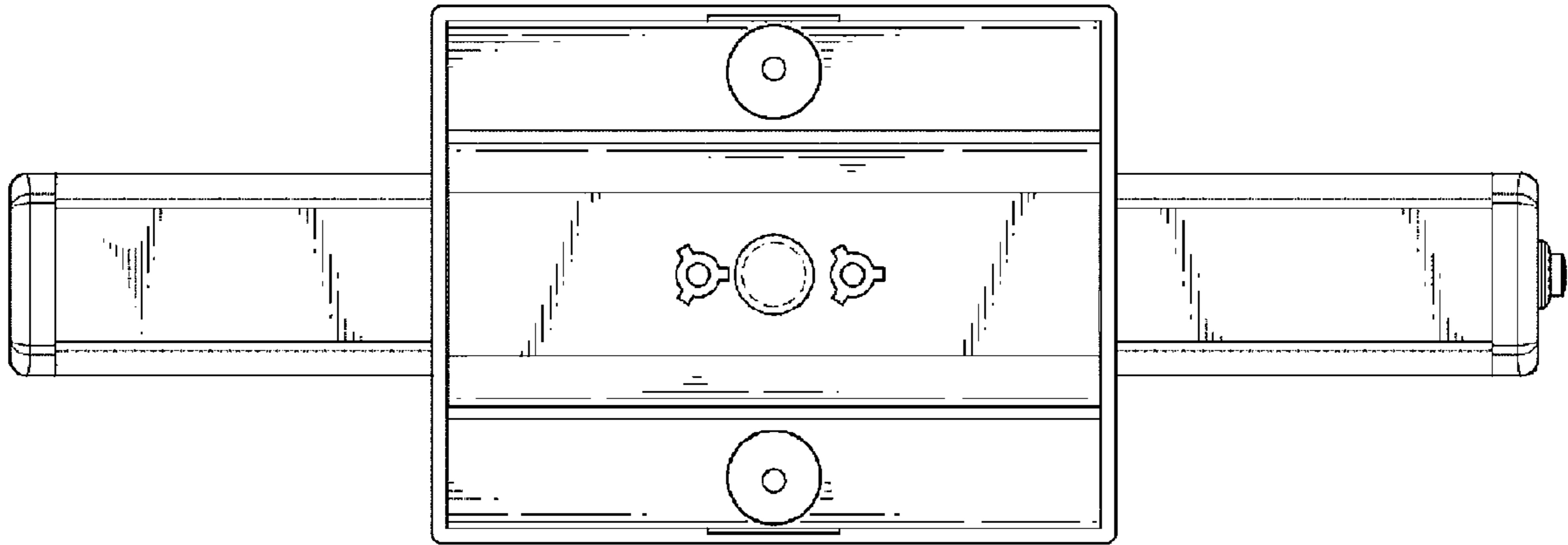


FIG. 6

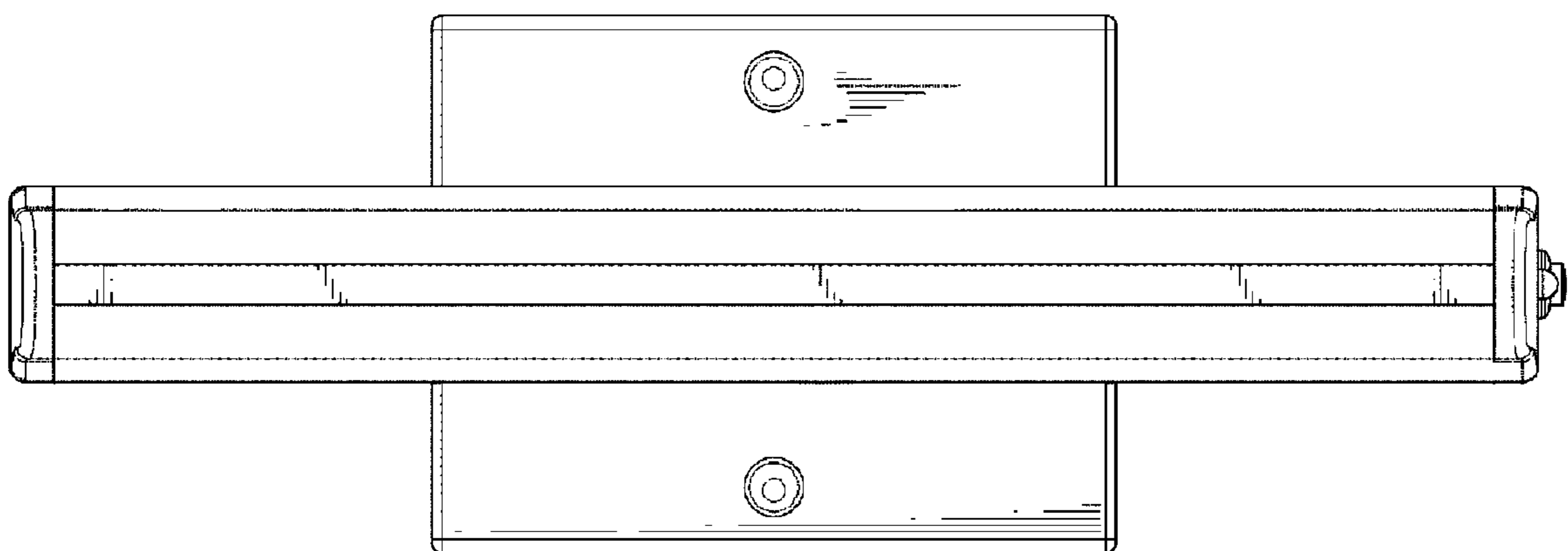


FIG. 7