



US00D625355S

(12) **United States Design Patent**
Branck et al.

(10) **Patent No.:** **US D625,355 S**

(45) **Date of Patent:** **** Oct. 12, 2010**

(54) **POINT OF SALE MONITOR**

(75) Inventors: **James David Branck**, Frankfort, NY
(US); **Bernard Wesley Baker, Jr.**,
Herkimer, NY (US)

(73) Assignee: **PAR Technology Corp.**, New Hartford,
NY (US)

(**) Term: **14 Years**

(21) Appl. No.: **29/331,816**

(22) Filed: **Feb. 2, 2009**

(51) **LOC (9) Cl.** **18-01**

(52) **U.S. Cl.** **D18/12.3; D18/4.5; D18/4.6**

(58) **Field of Classification Search** D14/218,
D14/336, 341-347, 371-376, 387; D18/1,
D18/2, 3.1-3.3, 4.1-4.6, 5-12, 12.1-12.3;
D21/324, 329, 332, 512; D99/28, 34-38,
D99/40; 235/1 E, 2, 7 R, 12, 22, 33, 51,
235/52, 58 R, 59 A, 59 BC-59 BH, 59 CP,
235/59 T, 59 TP, 61 R

See application file for complete search history.

(56) **References Cited**

U.S. PATENT DOCUMENTS

D487,742 S * 3/2004 Huang et al. D14/341
D525,282 S * 7/2006 Barnes et al. D18/4.5

D526,002 S * 8/2006 Nakajima et al. D18/4.5
D529,073 S * 9/2006 Ono D18/4.5
D538,800 S * 3/2007 Zhang et al. D14/371
D542,834 S * 5/2007 Ando et al. D18/4.6
D597,541 S * 8/2009 Kazma et al. D14/341

* cited by examiner

Primary Examiner—Caron Veynar

Assistant Examiner—Garth Rademaker

(74) *Attorney, Agent, or Firm*—George R. McGuire; Bond
Schoeneck & King, PLLC

(57) **CLAIM**

The ornamental design for a point of sale monitor, as shown
and described.

DESCRIPTION

FIG. 1 is a front perspective view of a point of sale monitor;
FIG. 2 is a front elevation view thereof;
FIG. 3 is a rear perspective view thereof;
FIG. 4 is a first side elevation view thereof;
FIG. 5 is a second side elevation view thereof; and,
FIG. 6 is a rear elevation view thereof.

The broken lines show environmental subject matter only and
form no part of the claimed design.

1 Claim, 5 Drawing Sheets

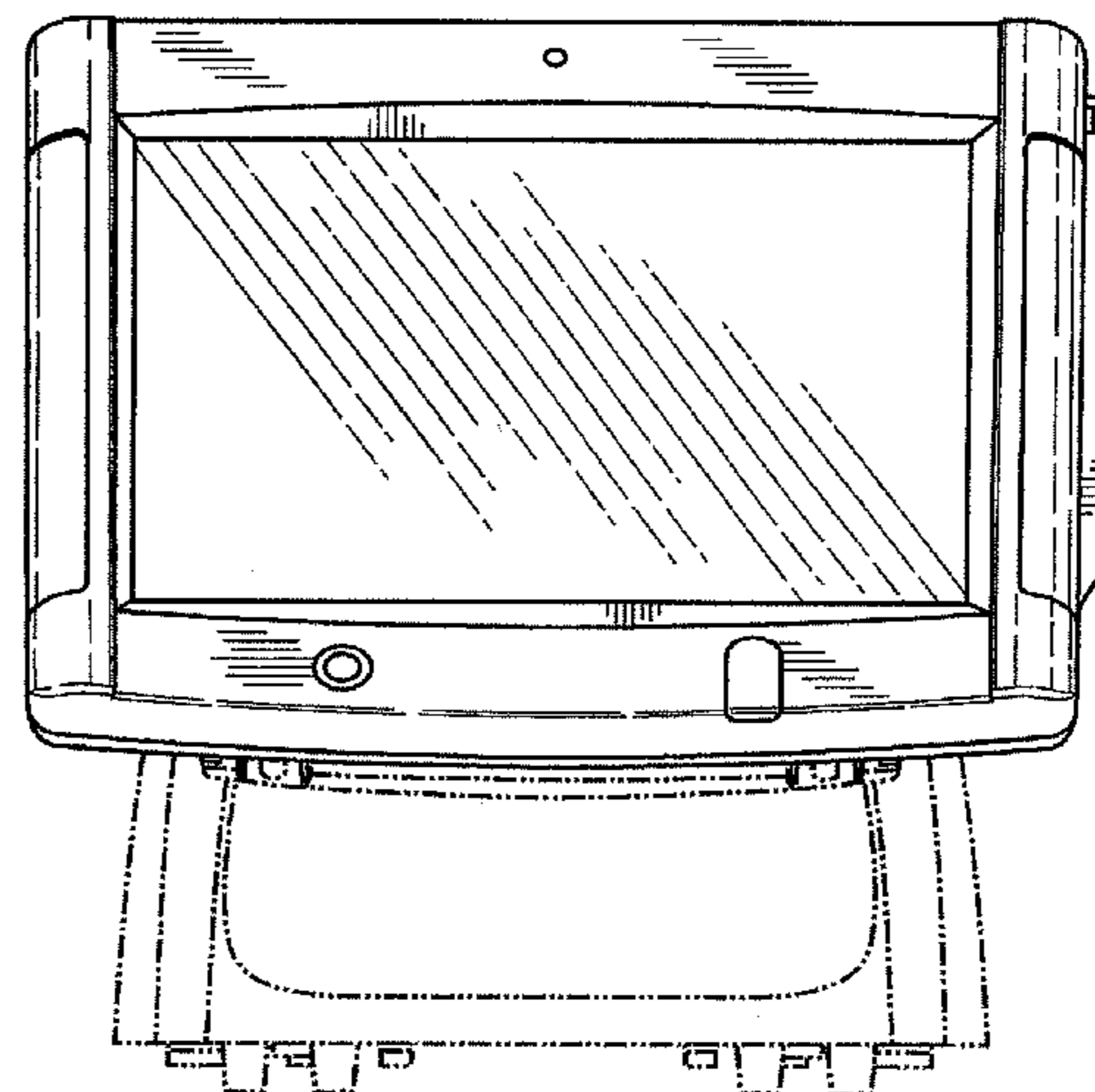
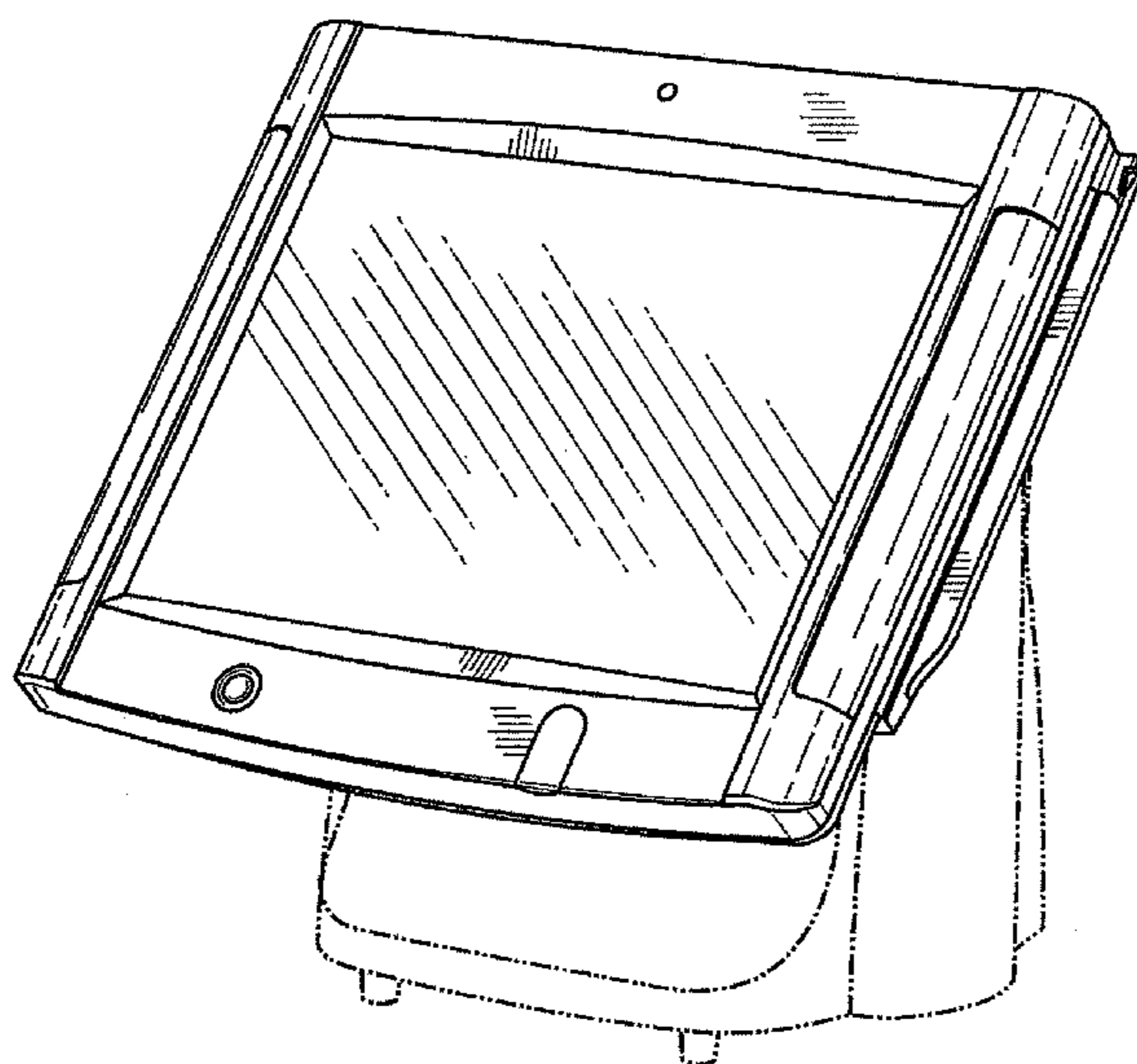


Fig. 1

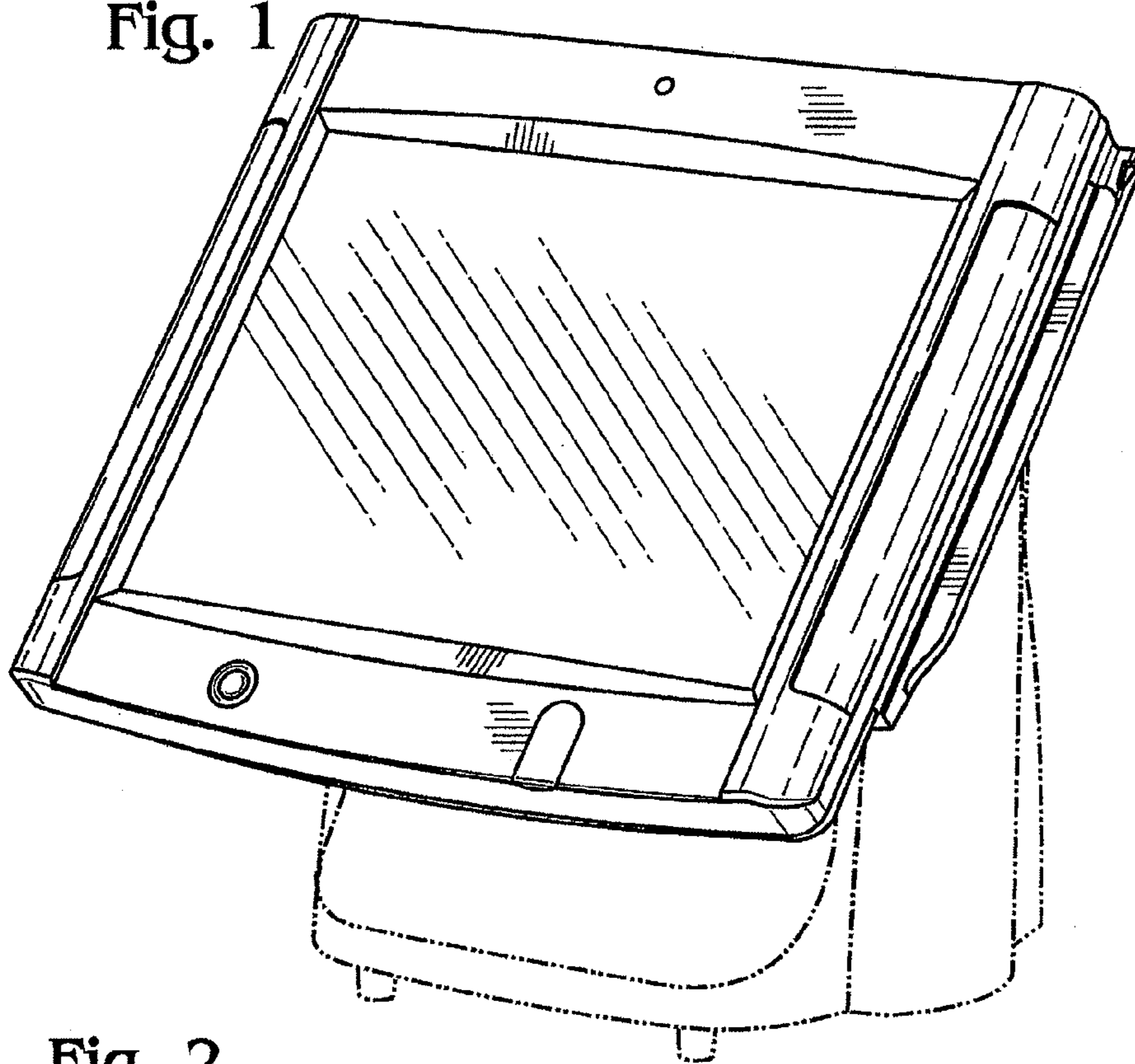


Fig. 2

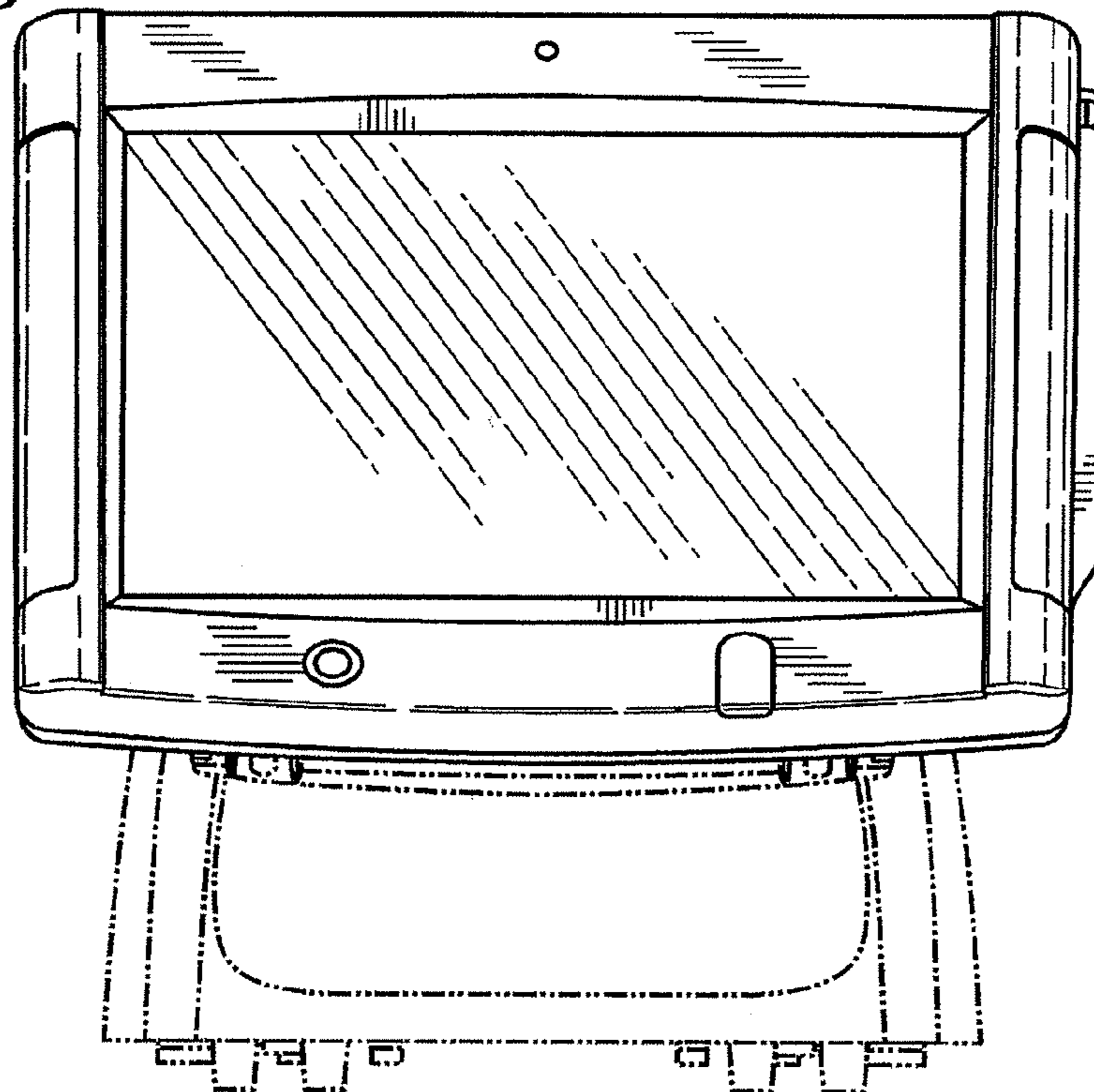


Fig. 3

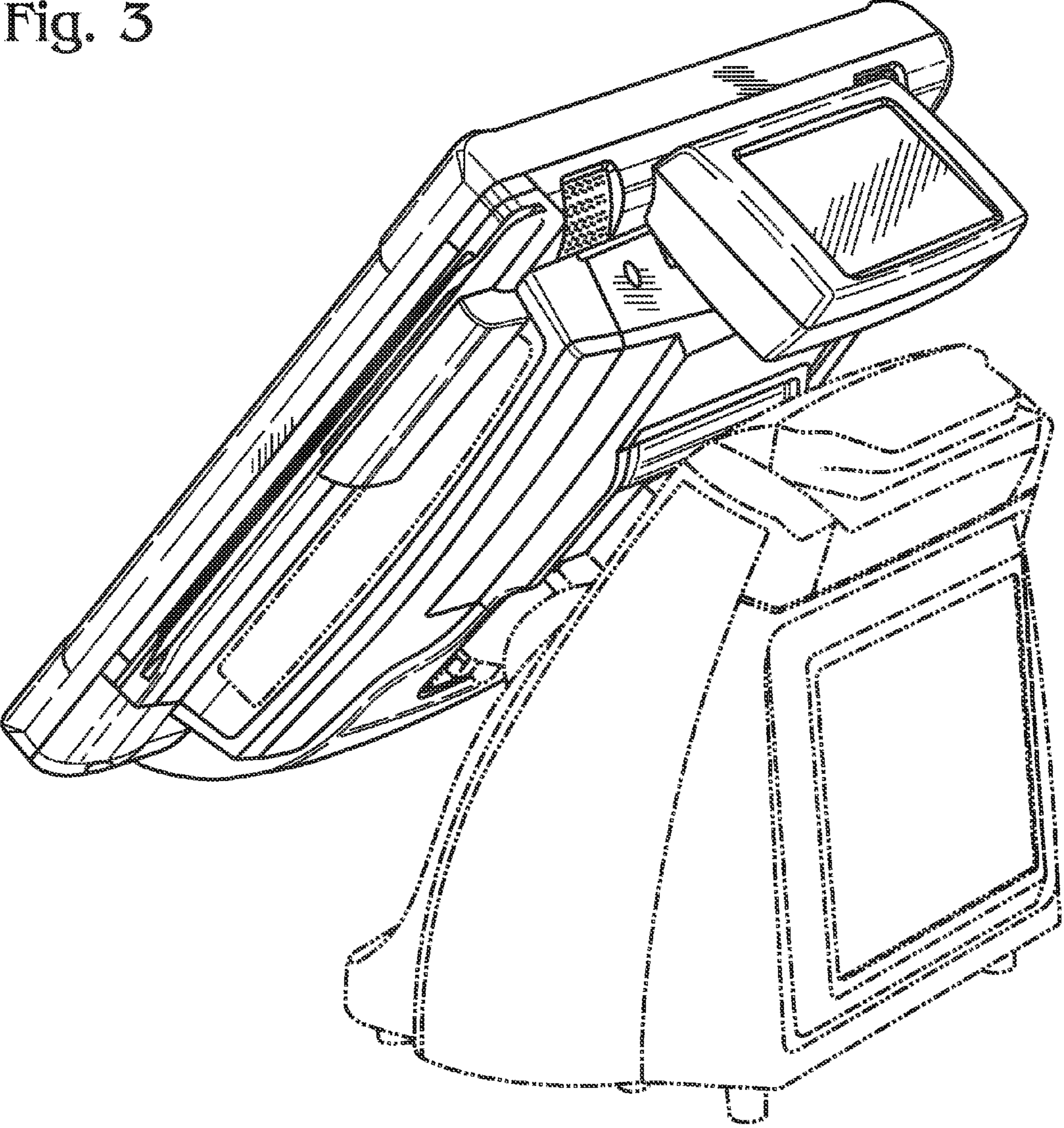


Fig. 4

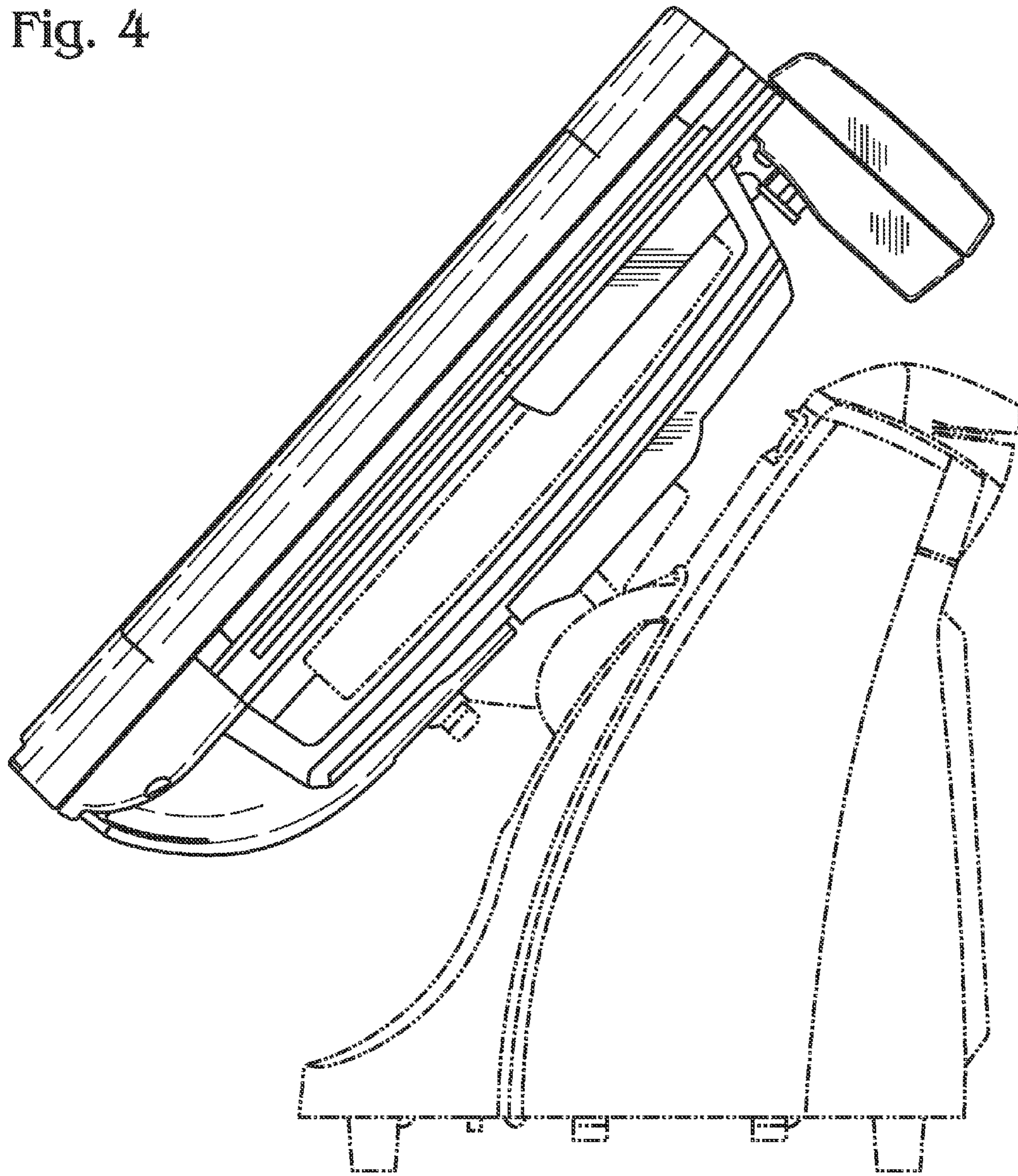
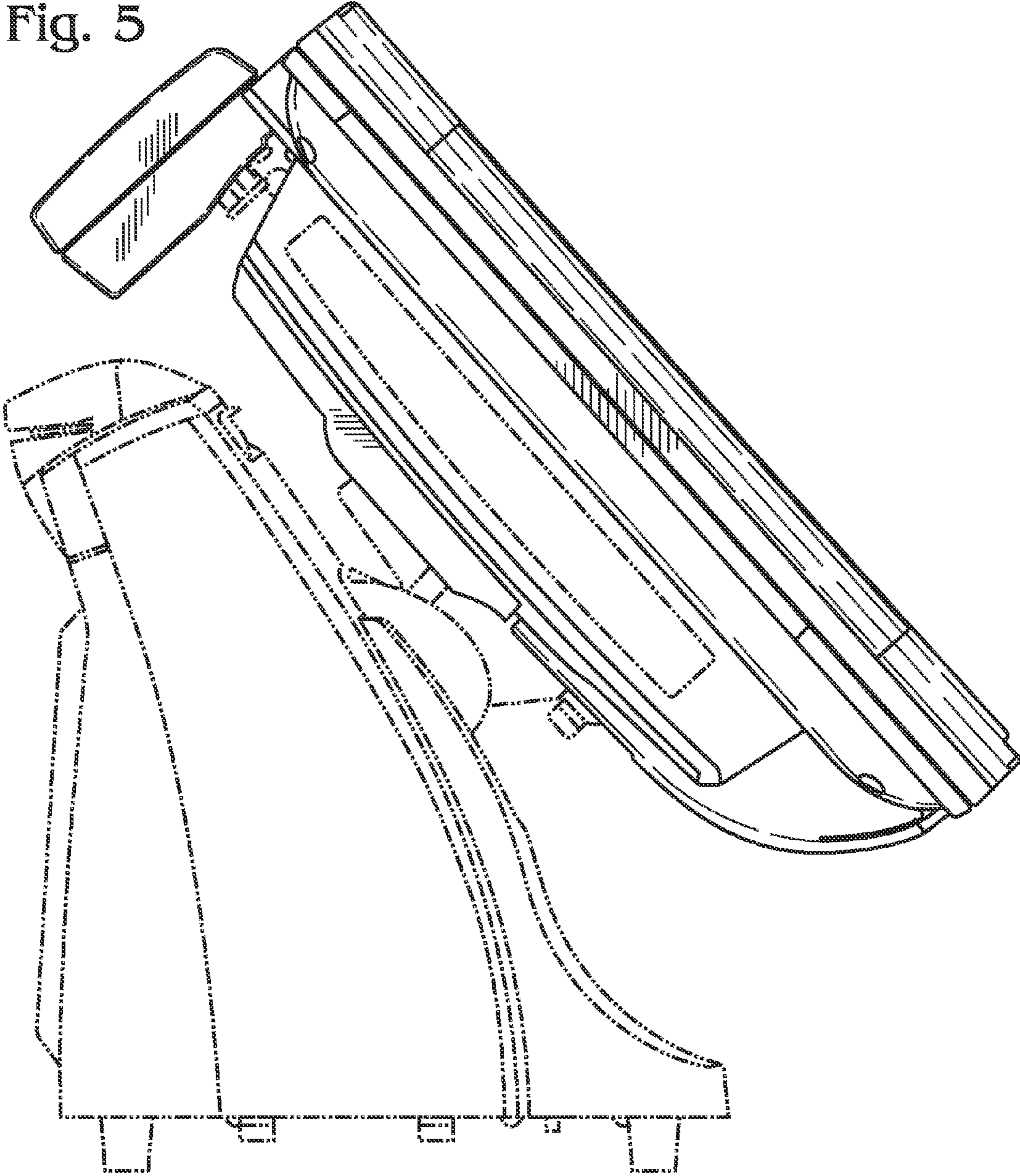


Fig. 5



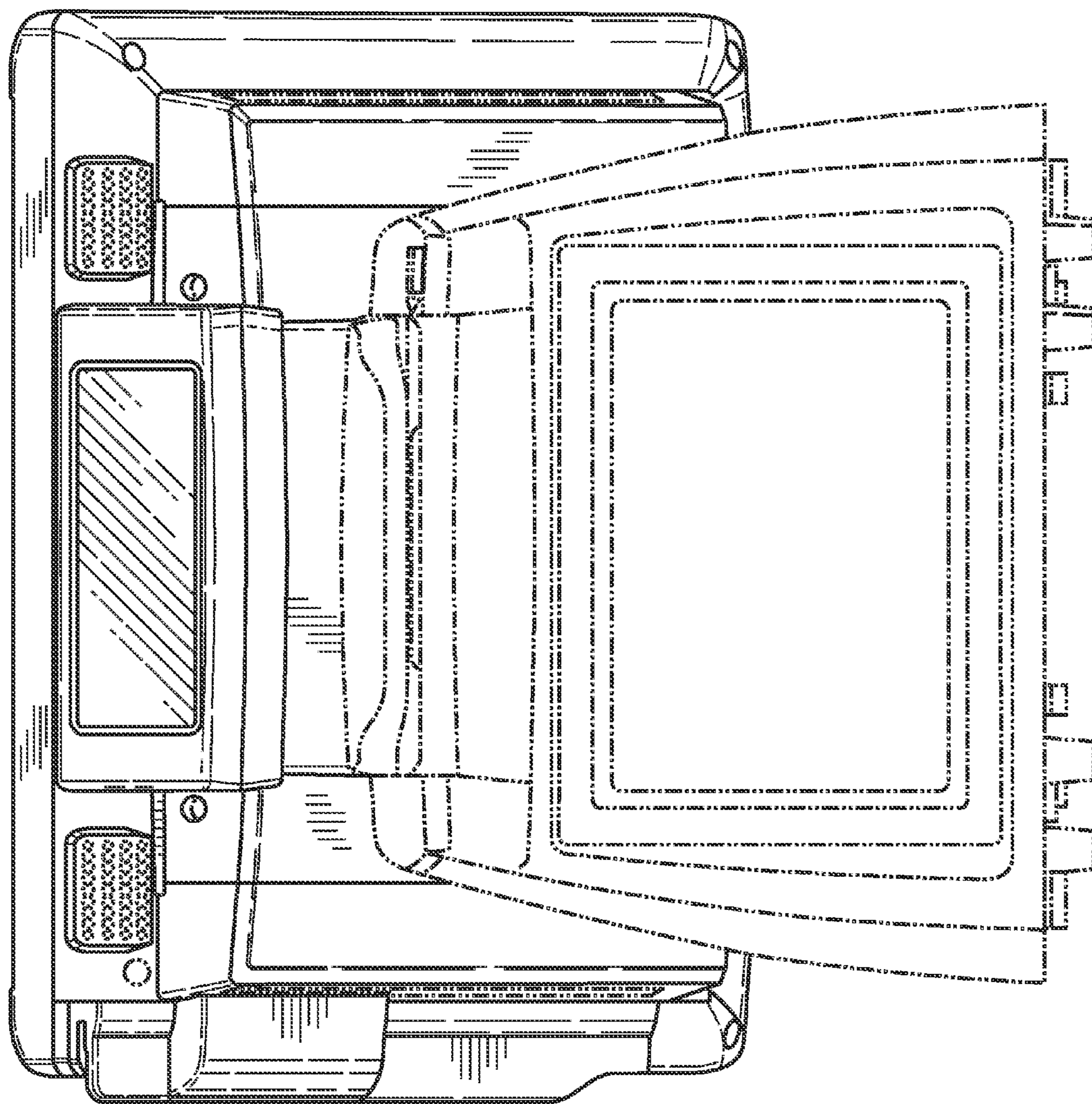


Fig. 6