



US00D625354S

(12) **United States Design Patent**  
**Helsley**

(10) **Patent No.:** **US D625,354 S**

(45) **Date of Patent:** **\*\* Oct. 12, 2010**

(54) **GUITAR BODY**

(76) Inventor: **Frank D. Helsley**, 3901 Scott Dr.,  
Rowlett, TX (US) 75088

(\*\*) Term: **14 Years**

(21) Appl. No.: **29/350,455**

(22) Filed: **Nov. 17, 2009**

(51) **LOC (9) Cl.** ..... **17-03**

(52) **U.S. Cl.** ..... **D17/20; D17/14**

(58) **Field of Classification Search** ..... D17/14,  
D17/18-20; 84/173, 267, 290-292; D21/405  
See application file for complete search history.

(56) **References Cited**

**U.S. PATENT DOCUMENTS**

D76,382	S	*	9/1928	Dopyra	.....	D17/19
1,741,453	A	*	12/1929	Dopyera	.....	84/296
2,045,265	A	*	6/1936	Dopyera	.....	84/292
3,435,721	A	*	4/1969	Dopera	.....	84/296
D239,564	S	*	4/1976	Belvill	.....	D17/14
D269,975	S	*	8/1983	Kaman	.....	D17/14
4,738,178	A	*	4/1988	Deering	.....	84/726
7,259,318	B2	*	8/2007	Chiliachki	.....	84/728
D550,275	S	*	9/2007	Cook	.....	D17/14
D553,180	S	*	10/2007	Cook	.....	D17/14
D580,476	S	*	11/2008	Fossey	.....	D17/19

D587,742 S \* 3/2009 Normandy ..... D17/14

\* cited by examiner

*Primary Examiner*—Ian Simmons

*Assistant Examiner*—Charles D Hanson

(74) *Attorney, Agent, or Firm*—QuickPatents, Inc.; Kevin Prince

(57) **CLAIM**

What is claimed is the ornamental design for a guitar body, as shown and described.

**DESCRIPTION**

FIG. 1 is a perspective view of a guitar body, showing the new design;

FIG. 2 is a top plan view thereof;

FIG. 3 is a bottom plan view thereof;

FIG. 4 is a right-side elevational view thereof;

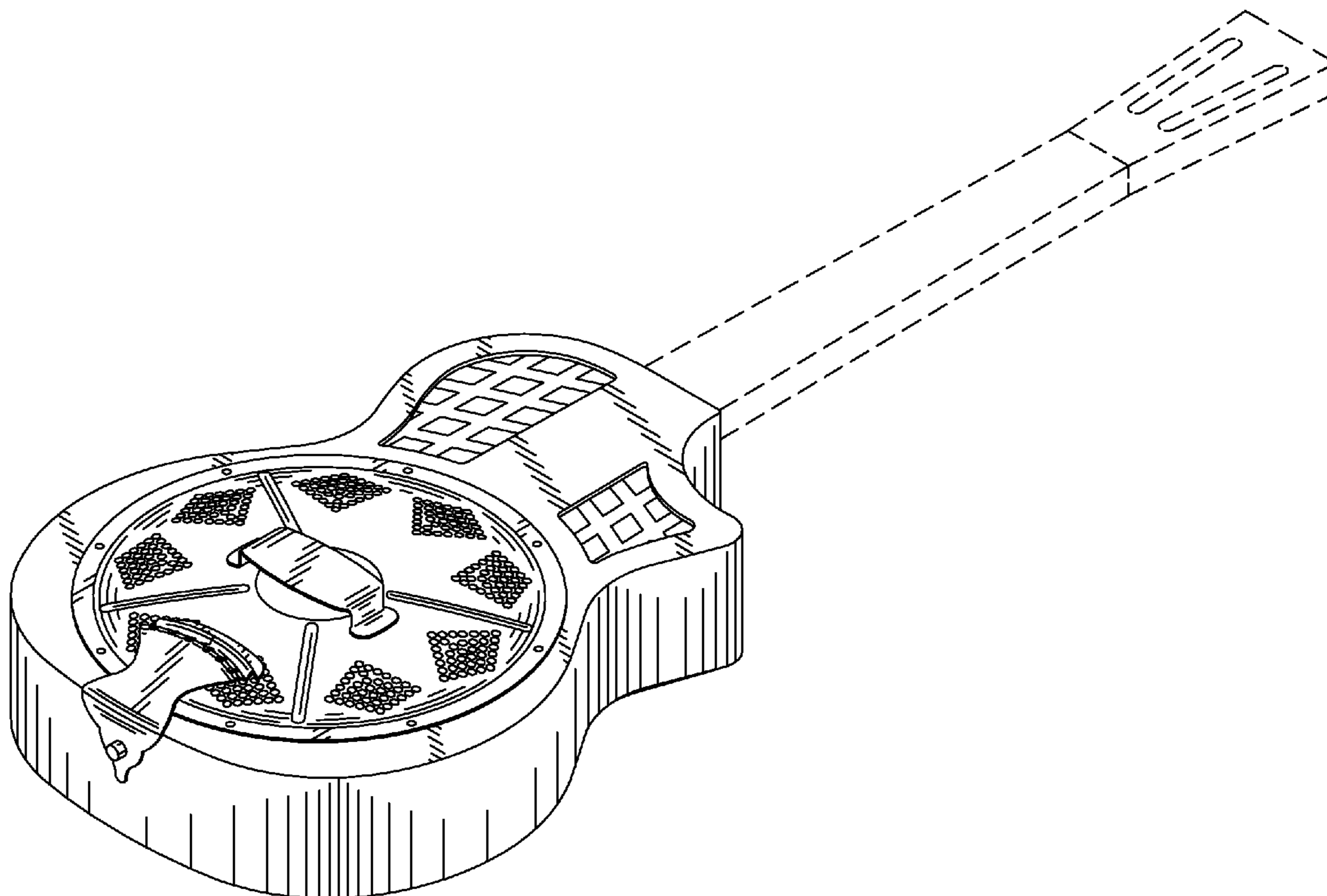
FIG. 5 is a left-side elevational view thereof;

FIG. 6 is a rear elevational view thereof; and,

FIG. 7 is a front elevational view thereof.

The broken lines showing a guitar neck in FIG. 1 are included for the purpose of illustrating an environment, and form no part of the claimed design.

**1 Claim, 4 Drawing Sheets**



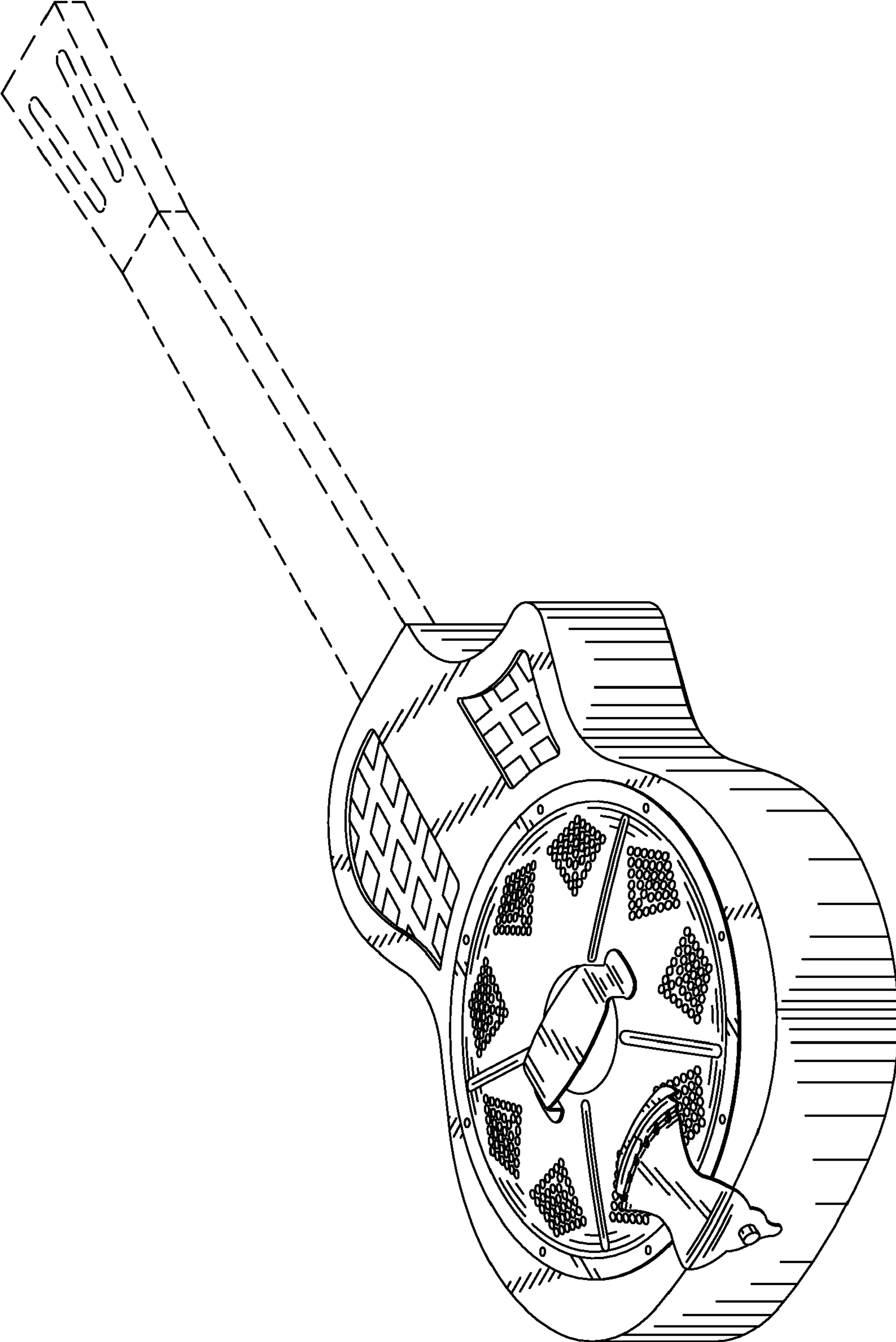


FIG. 1

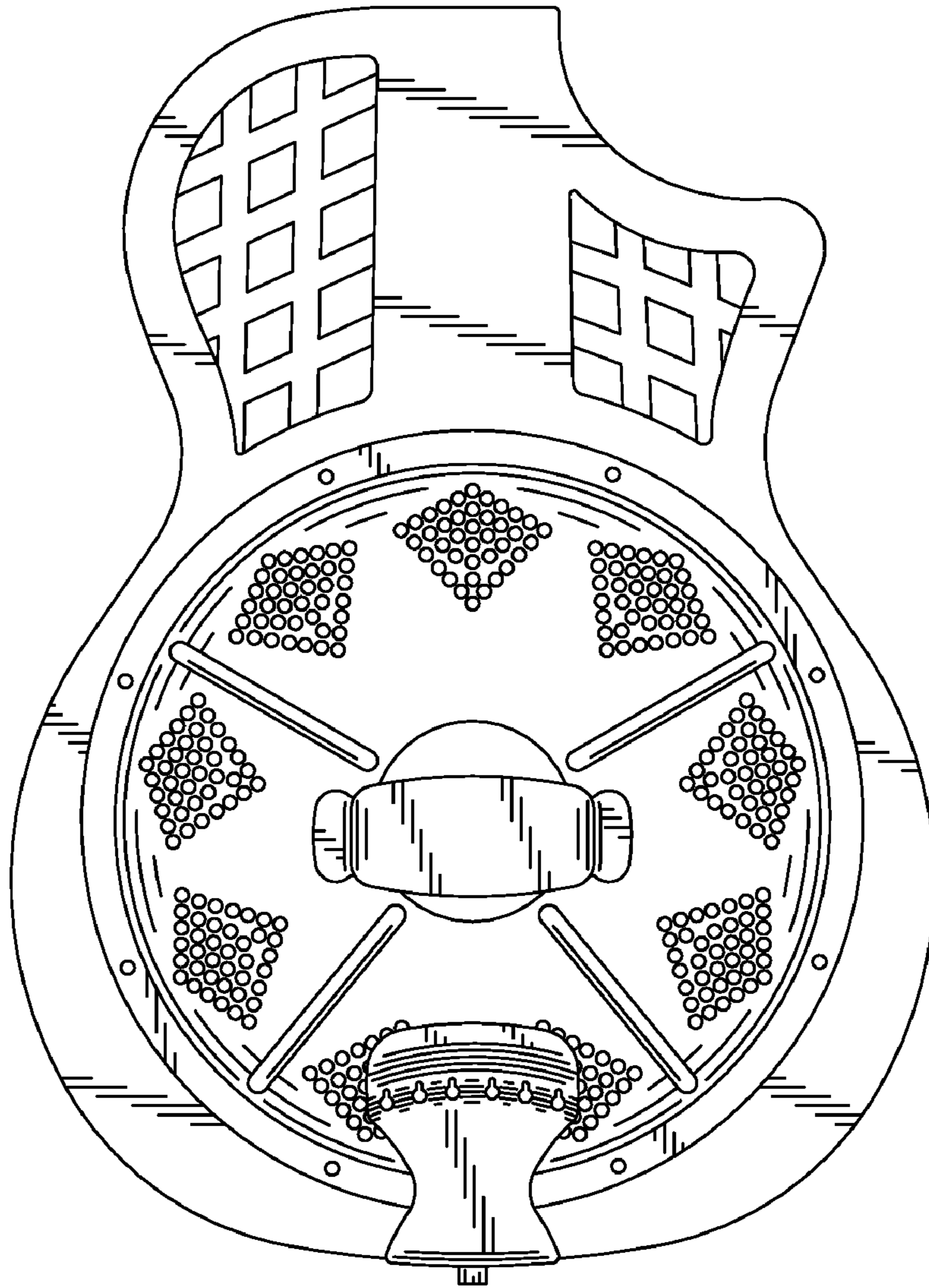


FIG. 2

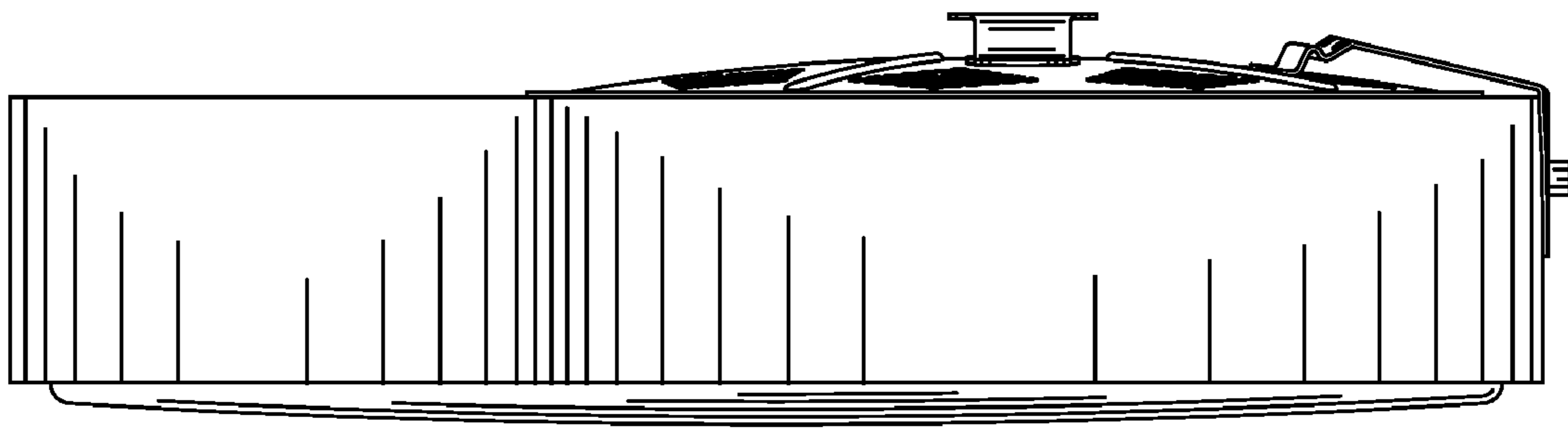


FIG. 4

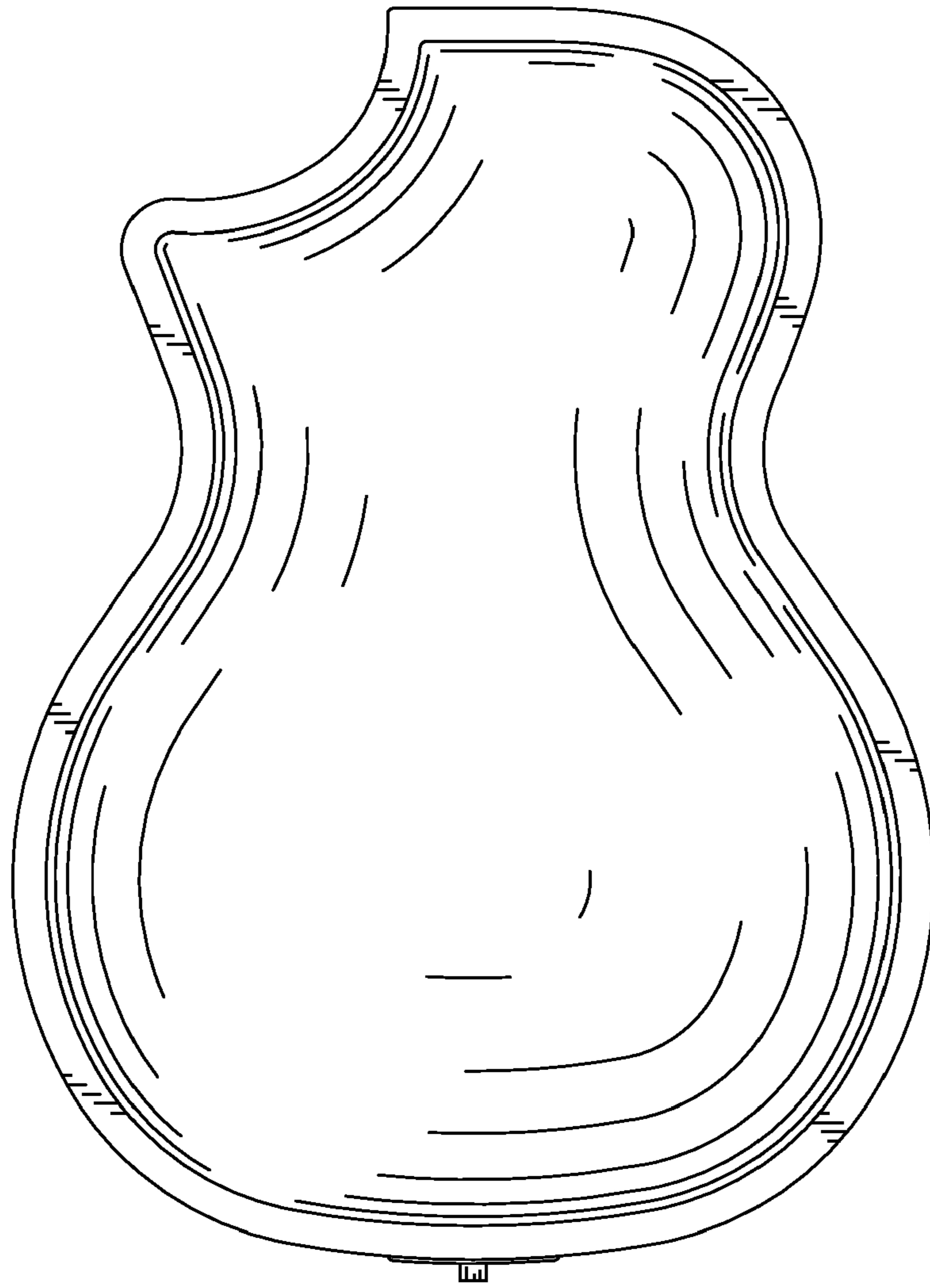


FIG. 3

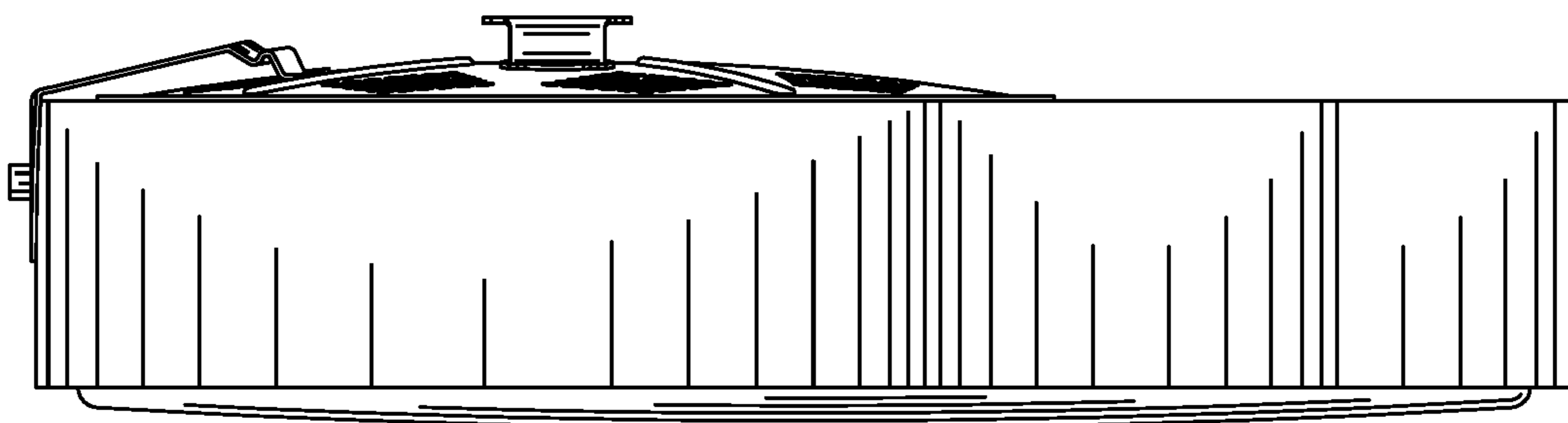


FIG. 5

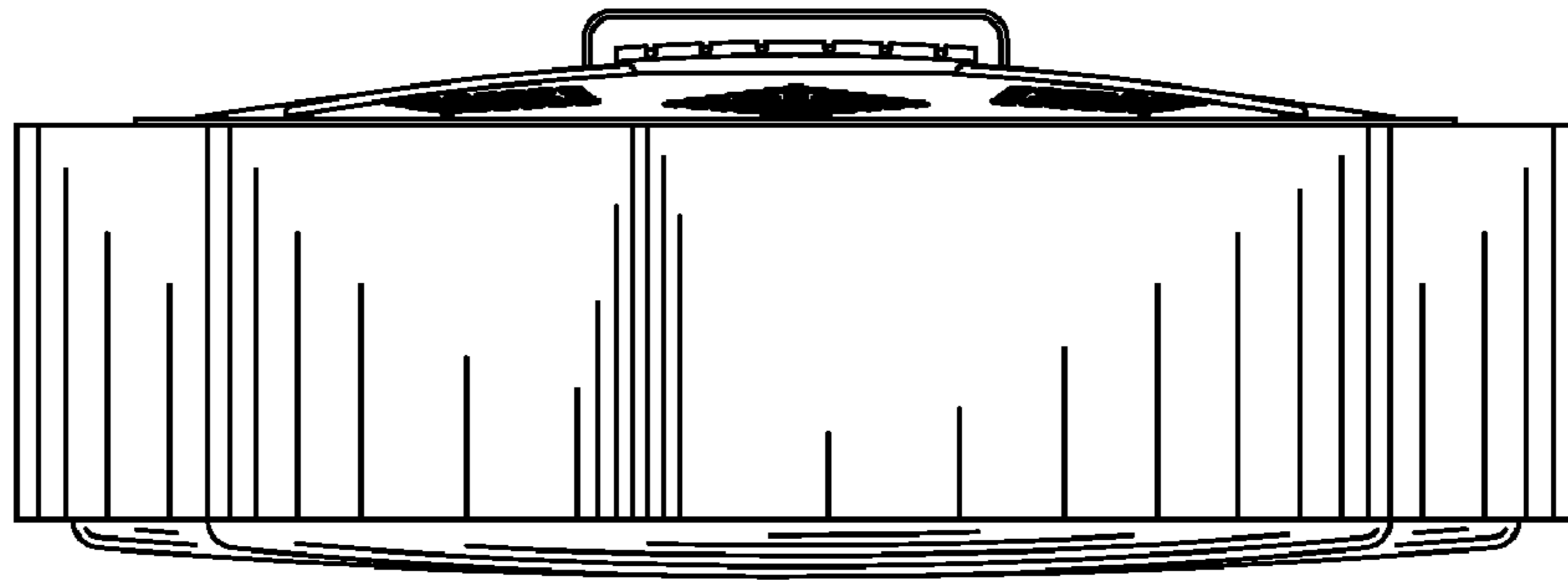


FIG. 6

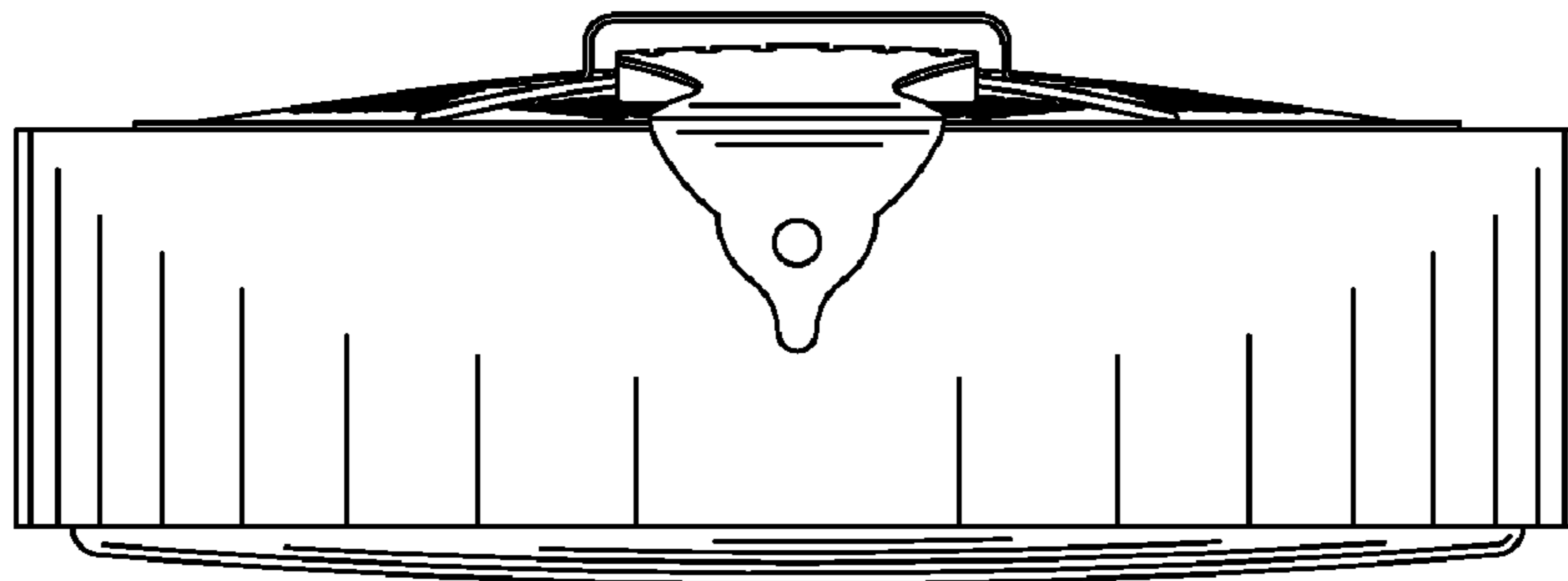


FIG. 7