



US00D625352S

(12) **United States Design Patent**
Gonzalez

(10) **Patent No.:** **US D625,352 S**

(45) **Date of Patent:** **** Oct. 12, 2010**

(54) **DECORATIVE ELEMENT FOR SUNGLASSES**

(75) Inventor: **Alvaro Gonzalez**, Florence (IT)

(73) Assignee: **J. Choo Limited**, London (GB)

(**) Term: **14 Years**

(21) Appl. No.: **29/310,636**

(22) Filed: **Aug. 29, 2008**

(30) **Foreign Application Priority Data**

Mar. 3, 2008	(EM)	000894795-0008
Mar. 3, 2008	(EM)	000894795-0009
Mar. 3, 2008	(EM)	000894795-0010
Mar. 3, 2008	(EM)	000894795-0027
Mar. 3, 2008	(EM)	000894795-0028
Mar. 3, 2008	(EM)	000894795-0029
Mar. 3, 2008	(EM)	000894795-0039

(51) **LOC (9) Cl.** **16-06**

(52) **U.S. Cl.** **D16/335**

(58) **Field of Classification Search** D16/100,
D16/101, 300-330, 332-338; D29/109,
D29/110; D24/110.2; 351/41, 44, 51, 52,
351/61, 62, 92, 103-111, 114-119, 121-123,
351/130, 158, 138; 2/447-449; D8/346,
D8/358, 376; D15/138, 140; D14/238; 52/2.24
See application file for complete search history.

(56) **References Cited**

U.S. PATENT DOCUMENTS

168,063	A *	9/1875	Taylor	220/62
D109,443	S *	4/1938	Bon	D16/314
D109,444	S *	4/1938	Ehrlich	D16/314
D220,291	S *	3/1971	Bloch	D16/320
4,114,158	A *	9/1978	Verini	343/715
D261,478	S *	10/1981	Gauntt	D8/344
D358,795	S *	5/1995	Viola	D12/187

D453,336	S *	2/2002	Pentz et al.	D14/436
6,517,391	B1 *	2/2003	Chadbourne	439/783
D478,622	S *	8/2003	Grayson	D19/10
D510,379	S *	10/2005	Lane	D16/321
7,677,721	B2 *	3/2010	Siu	351/52
D616,013	S *	5/2010	Reed	D16/315

* cited by examiner

Primary Examiner—Raphael Barkai

Assistant Examiner—Randall H Gholson

(74) *Attorney, Agent, or Firm*—Fross Zelnick Lehrman & Zissu, P.C.; Lawrence E. Apolzon, Esq.

(57) **CLAIM**

The ornamental design for a decorative element for sunglasses, as shown and described.

DESCRIPTION

FIG. 1 is a front perspective view of a portion of sunglasses showing my new design;

FIG. 2 is a left side view of the portion of sunglasses shown in FIG. 1;

FIG. 3 is a right side view of the portion of sunglasses shown in FIG. 1;

FIG. 4 is a top view of the portion of sunglasses shown in FIG. 1;

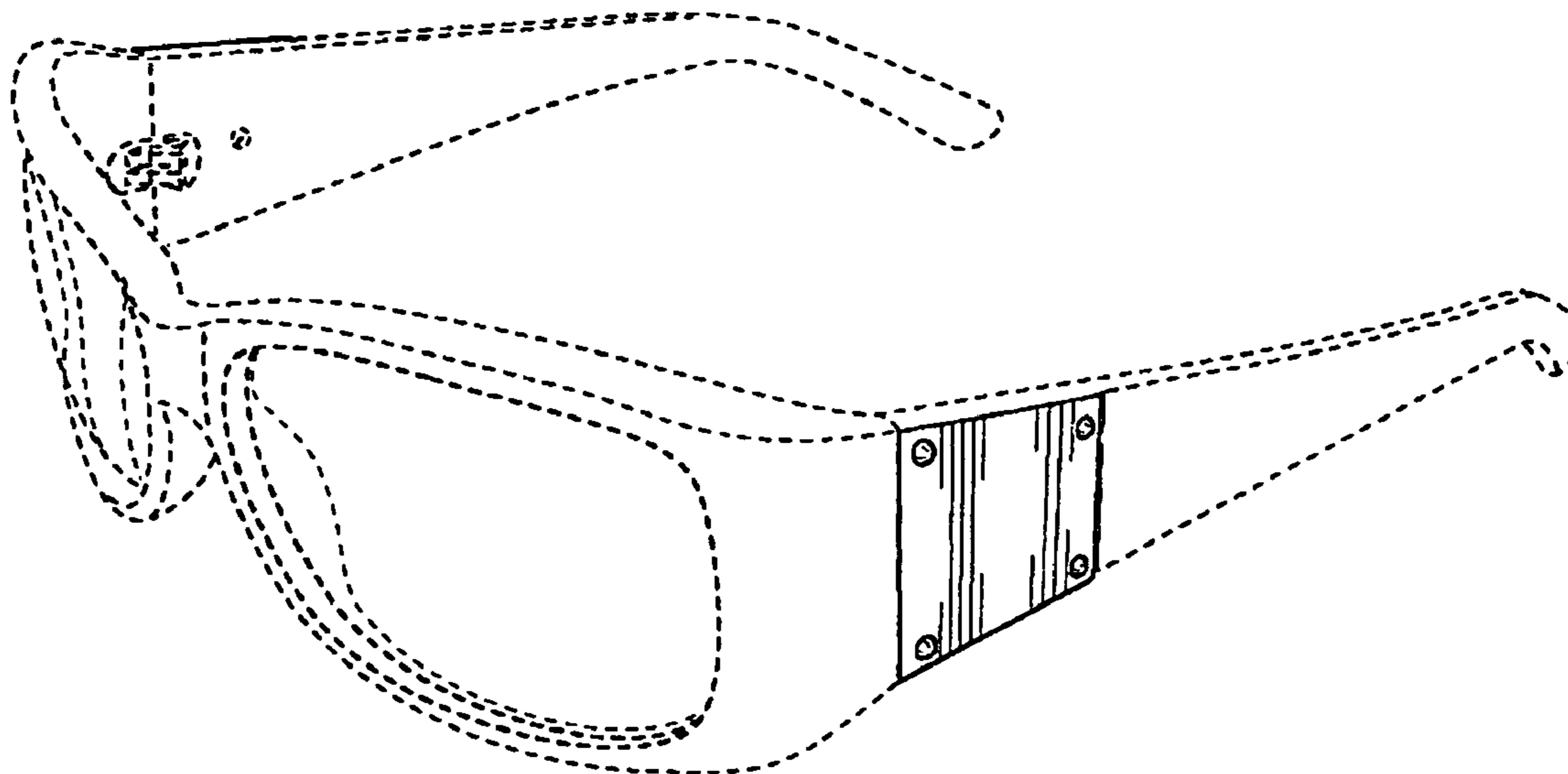
FIG. 5 is a bottom view of the portion of sunglasses shown in FIG. 1;

FIG. 6 is a front view of the portion of sunglasses shown in FIG. 1; and,

FIG. 7 is a rear view of the portion of sunglasses shown in FIG. 1.

The broken line showing of the sunglasses frame, portions of the arms, screws, and hinges is for illustrative purposes only and forms no part of the claimed design.

1 Claim, 5 Drawing Sheets



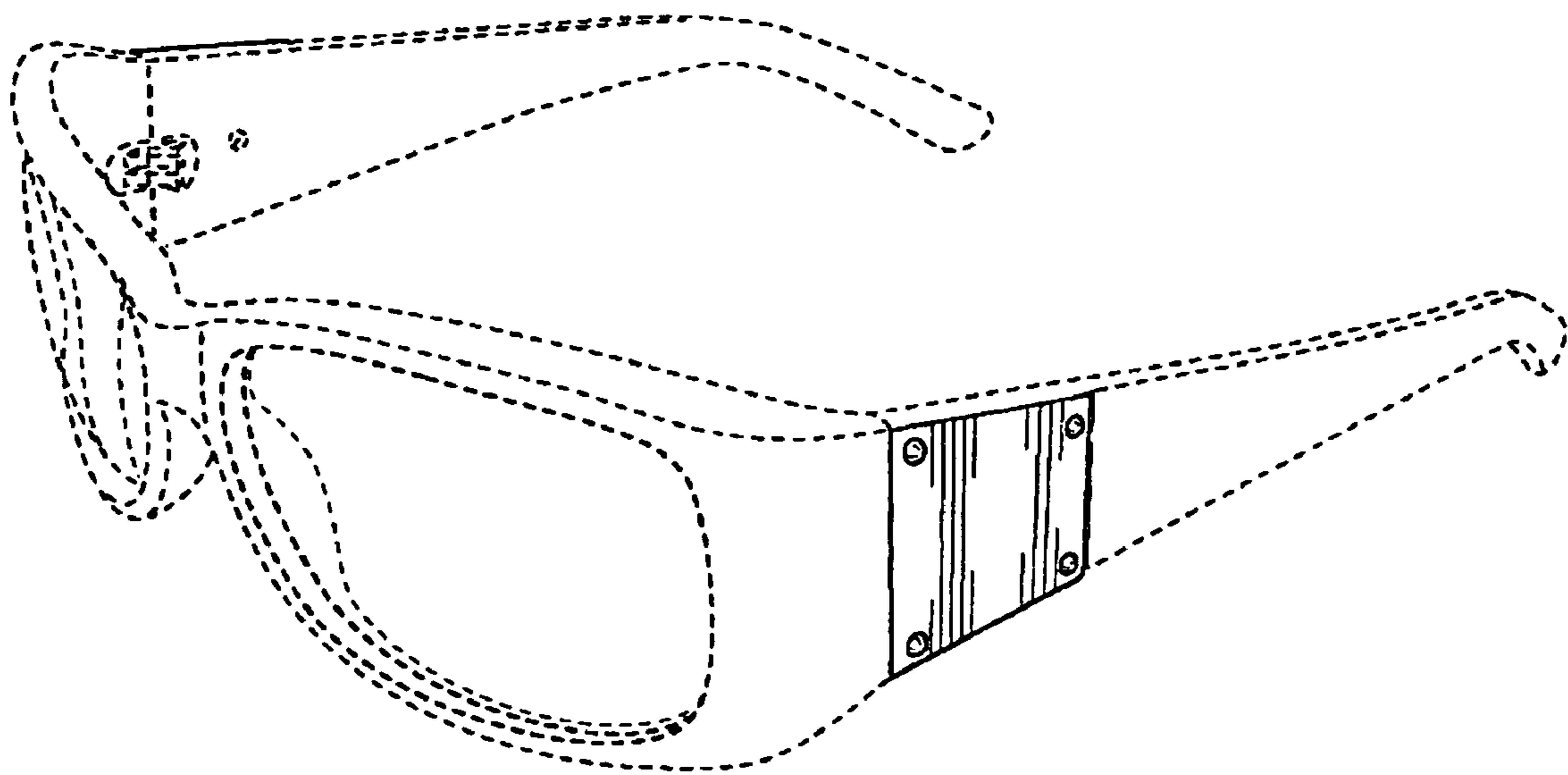


FIG. 1

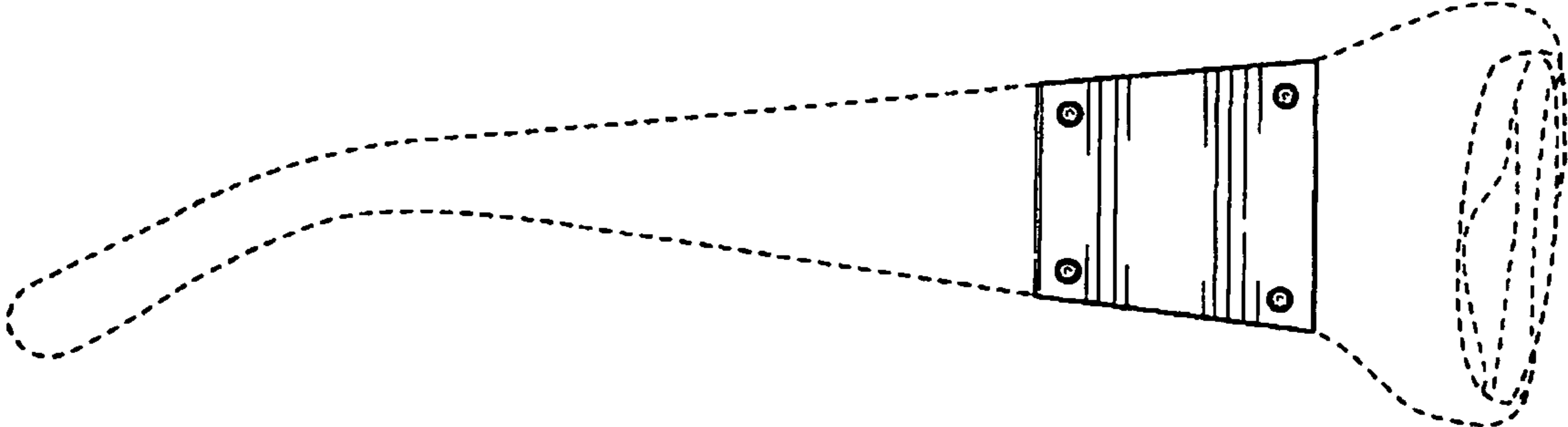


FIG. 2

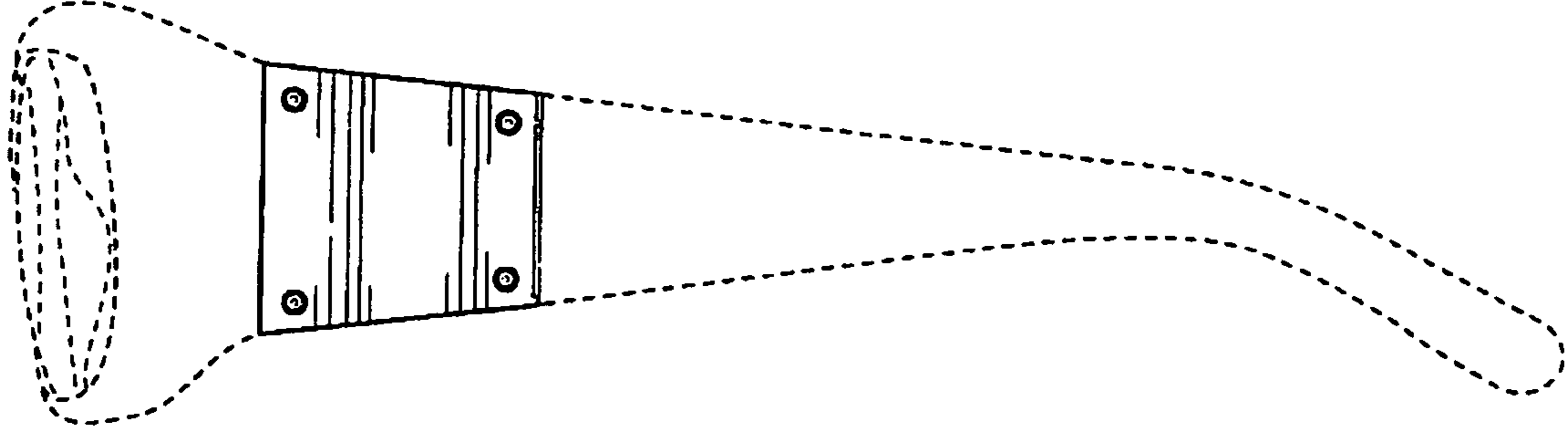


FIG. 3

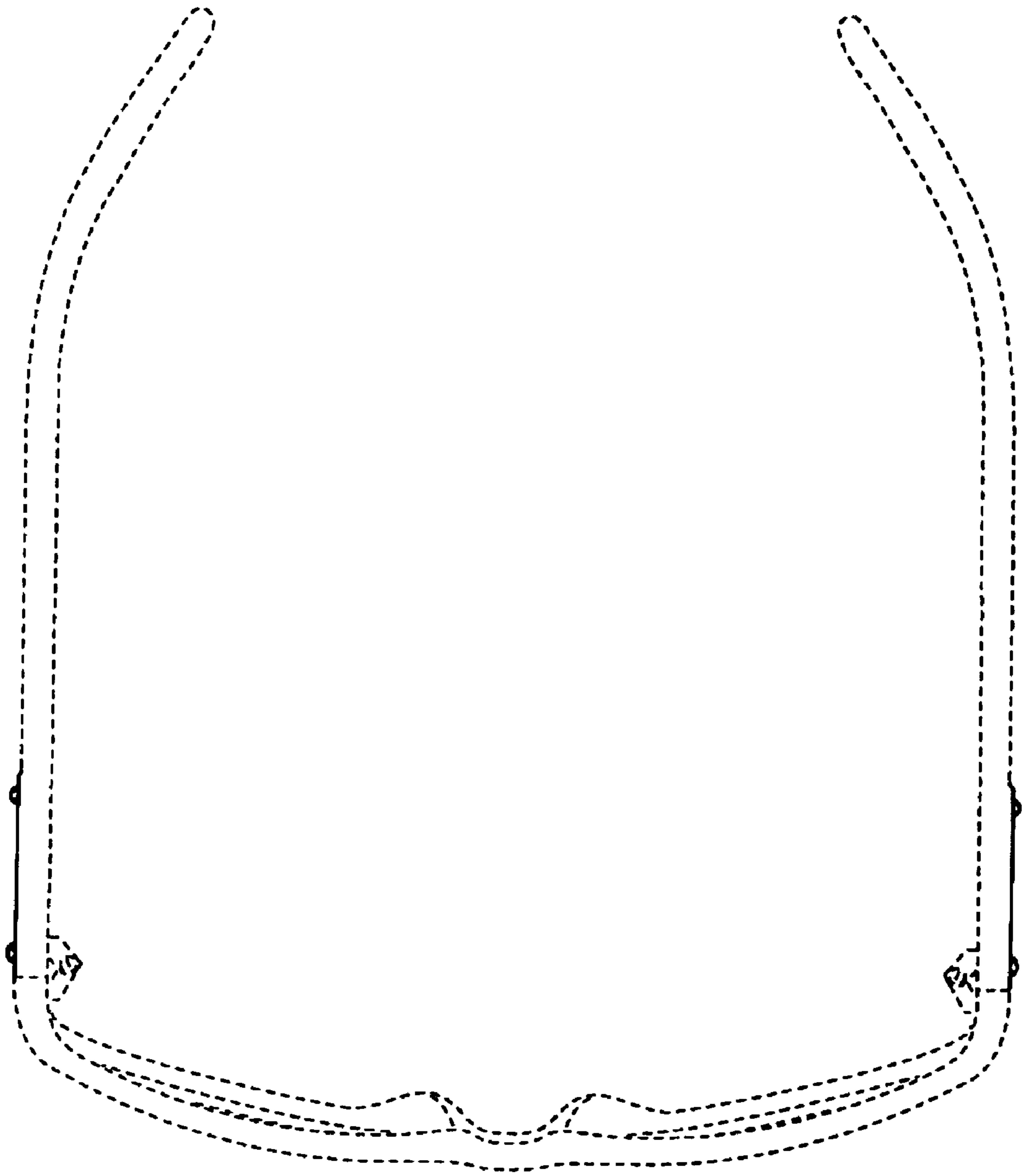


FIG. 4

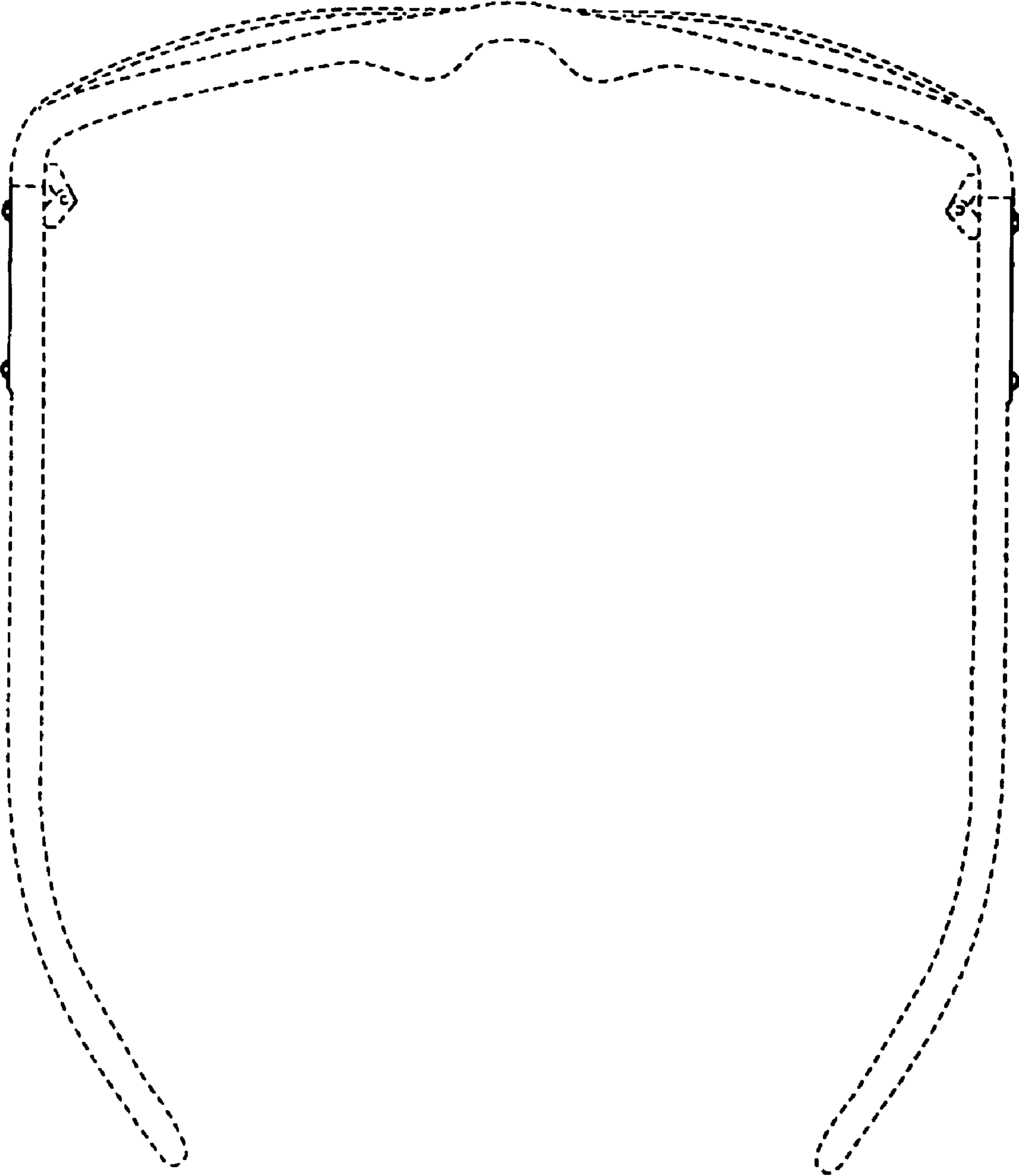


FIG. 5

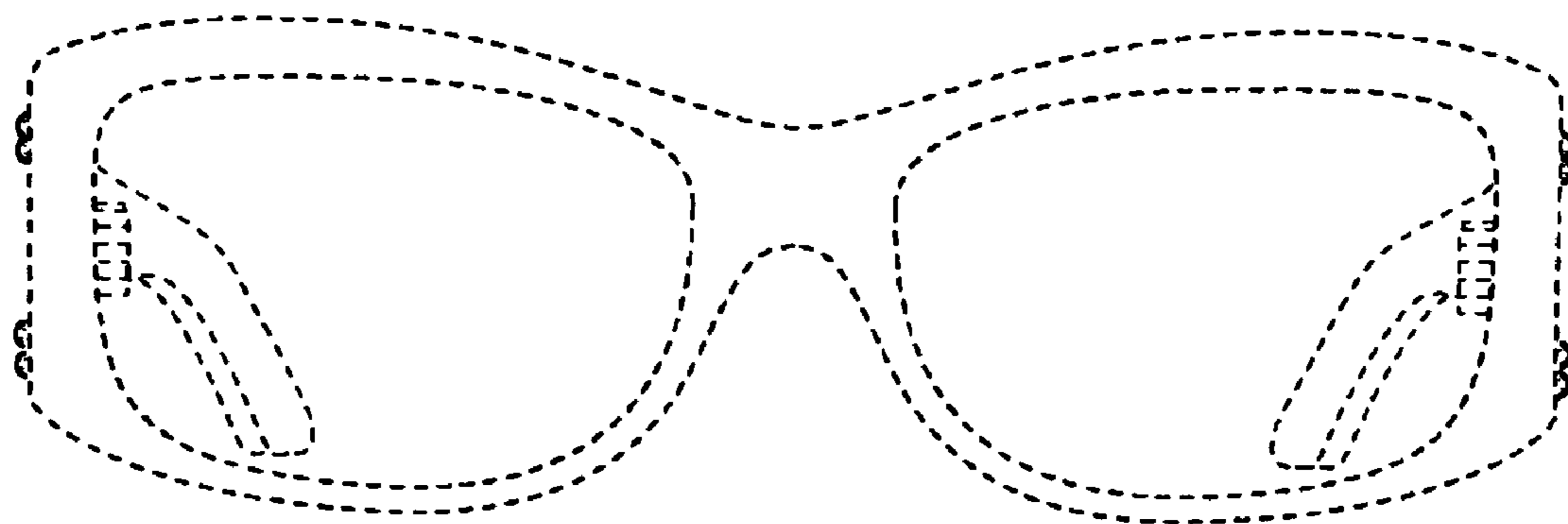


FIG. 6

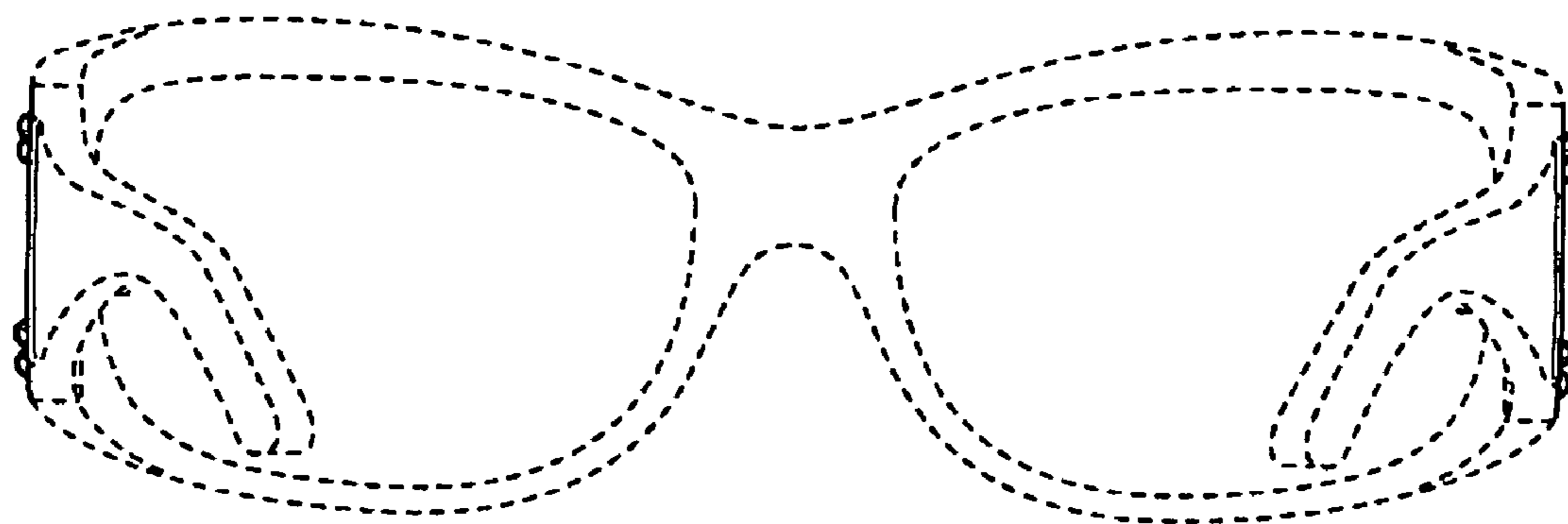


FIG. 7