



US00D625350S

(12) **United States Design Patent**
Morgan et al.

(10) **Patent No.:** **US D625,350 S**
(45) **Date of Patent:** **** Oct. 12, 2010**

(54) **DIVING LENS**

(75) Inventors: **William Morgan**, Santa Maria, CA
(US); **Connie Morgan**, Santa Maria, CA
(US); **Trent Schultz**, Santa Barbara, CA
(US); **Pete Ryan**, Santa Maria, CA (US)

(73) Assignee: **Kirby Morgan Dive Systems, Inc.**,
Santa Barbara, CA (US)

(**) Term: **14 Years**

(21) Appl. No.: **29/339,845**

(22) Filed: **Jul. 8, 2009**

(51) **LOC (9) Cl.** **16-06**

(52) **U.S. Cl.** **D16/311; D16/101**

(58) **Field of Classification Search** D16/101,
D16/300-342; D29/109, 110; D24/110.2;
351/41, 44, 51, 52, 62, 158, 92, 103-123,
351/140, 153, 45, 46; 2/426-432, 447-449,
2/441, 434-437, 13, 15; D21/483, 659-661
See application file for complete search history.

(56) **References Cited**

U.S. PATENT DOCUMENTS

D214,817 S * 7/1969 Widolf D24/110.2
D277,332 S * 1/1985 Fireman D24/110.2
D371,566 S * 7/1996 Kolada et al. D16/311
5,638,552 A * 6/1997 Fujima 2/428
D385,574 S * 10/1997 Fireman D16/311
D391,284 S * 2/1998 Hermansen et al. D16/312

6,626,178 B2 9/2003 Morgan et al.
6,921,164 B2 7/2005 Morgan et al.
D547,787 S * 7/2007 Lee D16/311
7,451,498 B2 * 11/2008 Kuroda 2/428
2006/0081582 A1 * 4/2006 Hsieh 219/203
2008/0184466 A1 * 8/2008 Shiu 2/428
2009/0165191 A1 * 7/2009 Kuroda 2/428

* cited by examiner

Primary Examiner—Raphael Barkai

Assistant Examiner—Randall Gholson

(74) *Attorney, Agent, or Firm*—Cislo & Thomas, LLP

(57) **CLAIM**

The ornamental design for a diving lens, as shown and described.

DESCRIPTION

FIG. 1 is a perspective view of our diving lens;

FIG. 2 is a front view thereof;

FIG. 3 is a left side view thereof;

FIG. 4 is a right side view thereof;

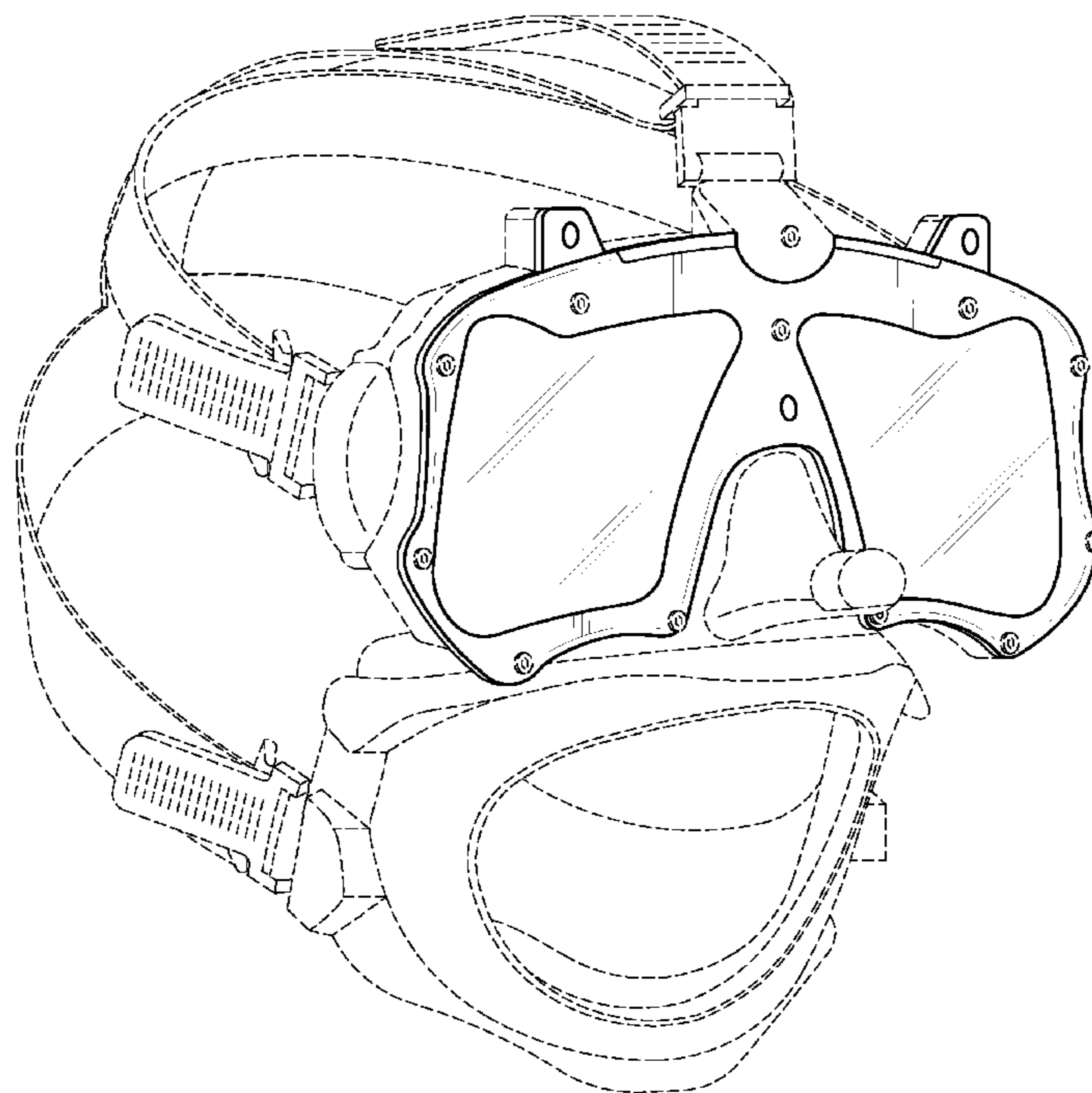
FIG. 5 is a rear view thereof;

FIG. 6 is a top view thereof; and,

FIG. 7 is a bottom view of our diving lens.

The broken line portions of the disclosure are included for the purpose of illustrating environment and form no part of the claimed design.

1 Claim, 7 Drawing Sheets



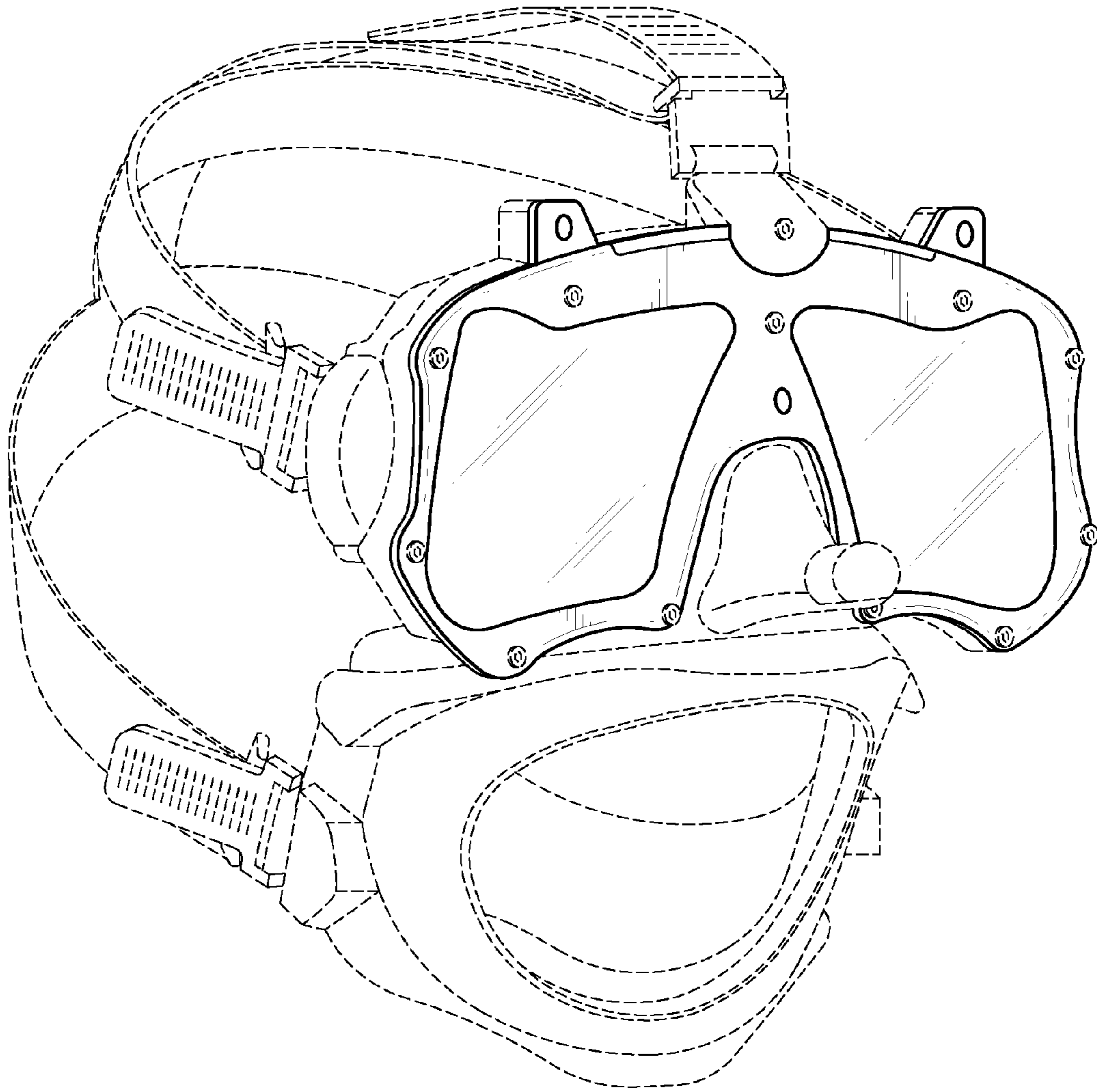


FIG. 1

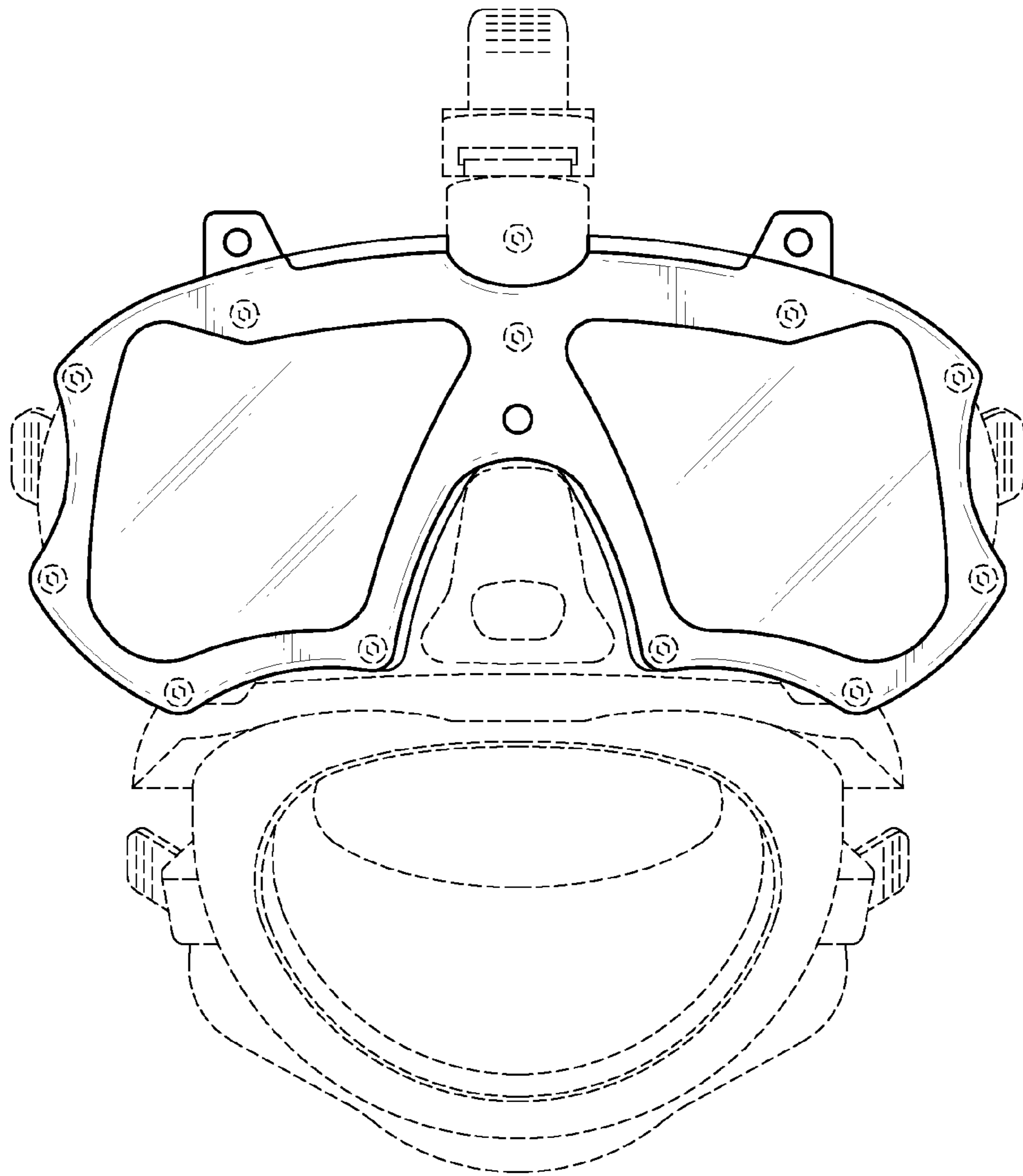


FIG. 2

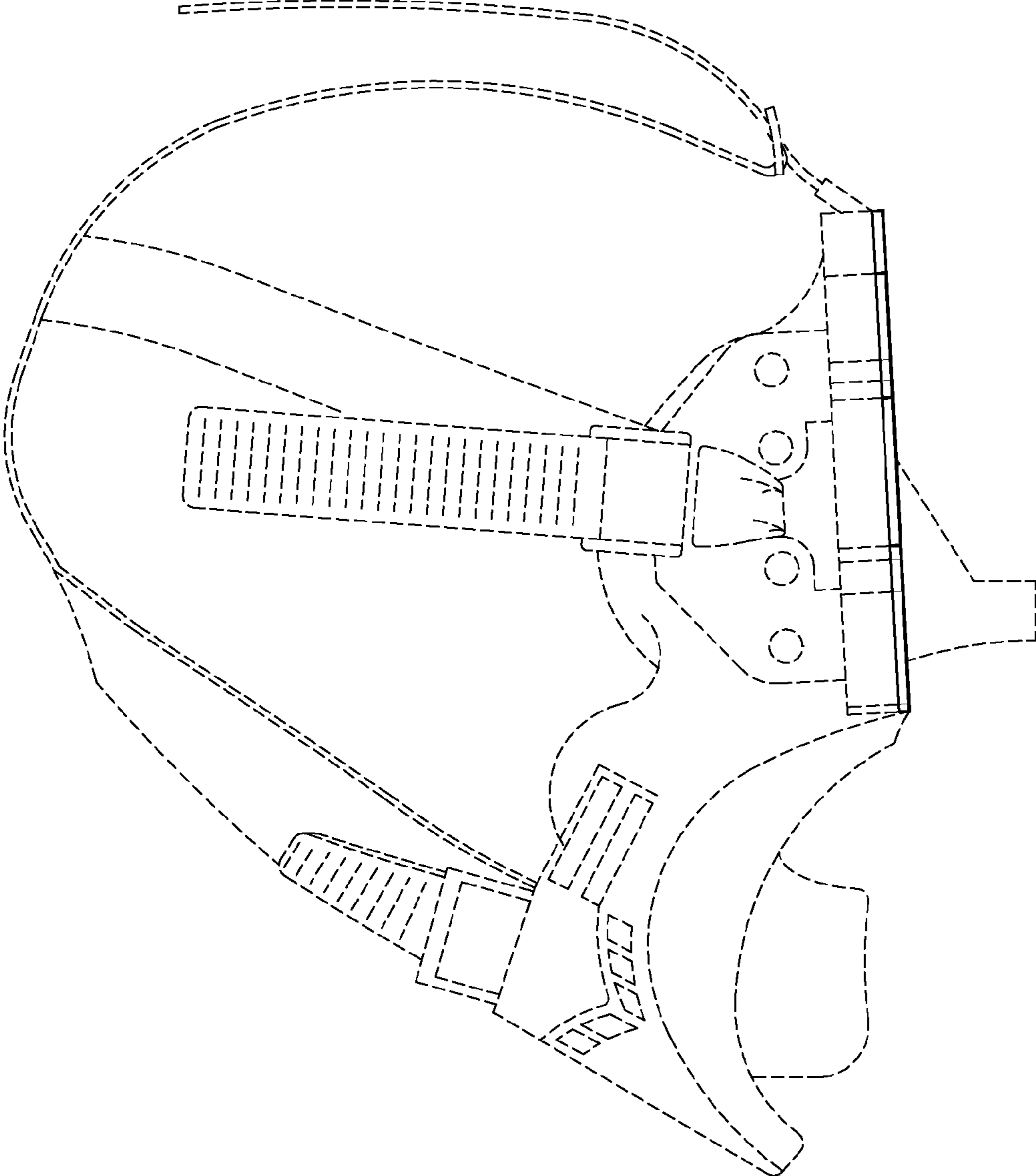


FIG. 3

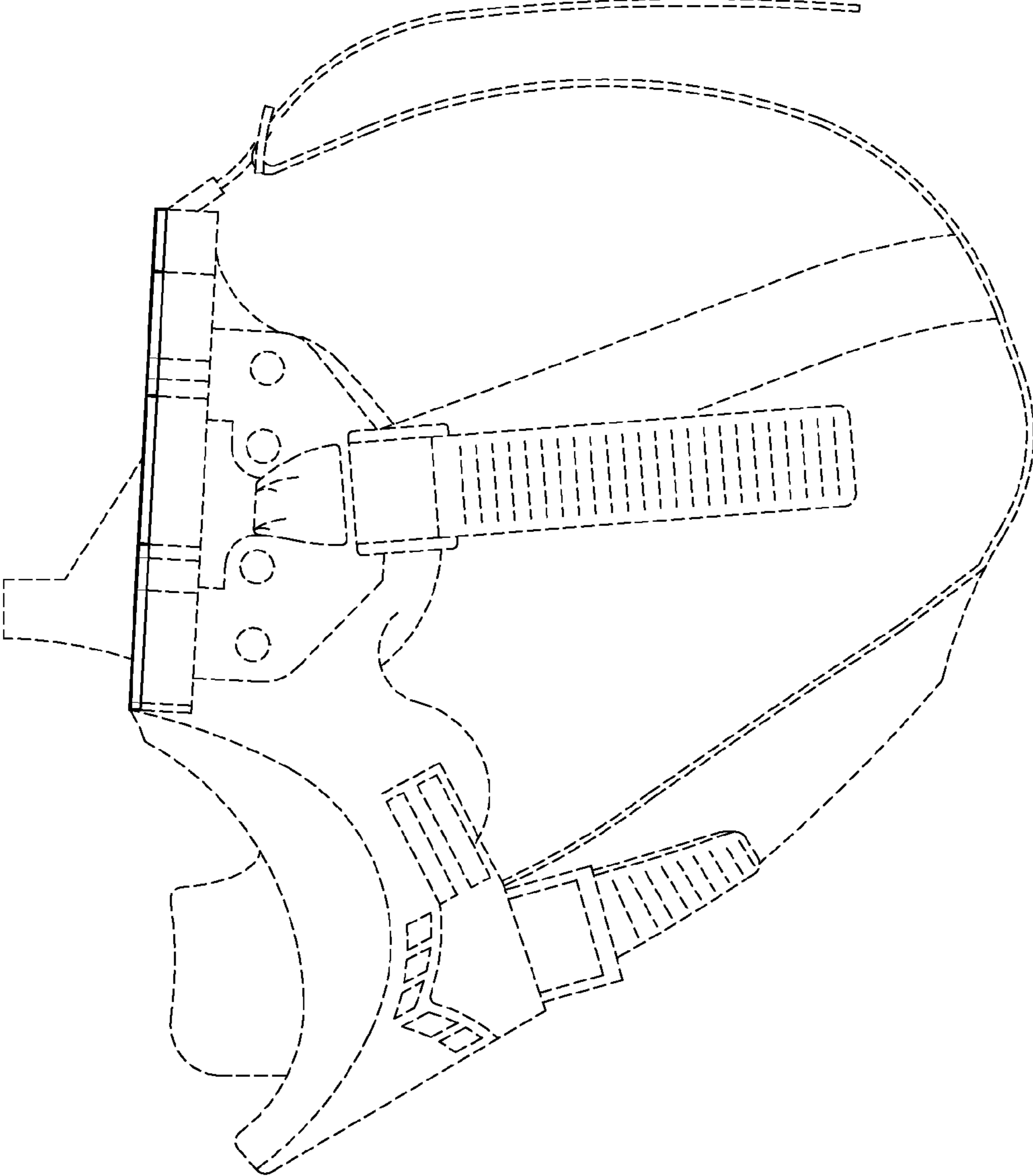


FIG. 4

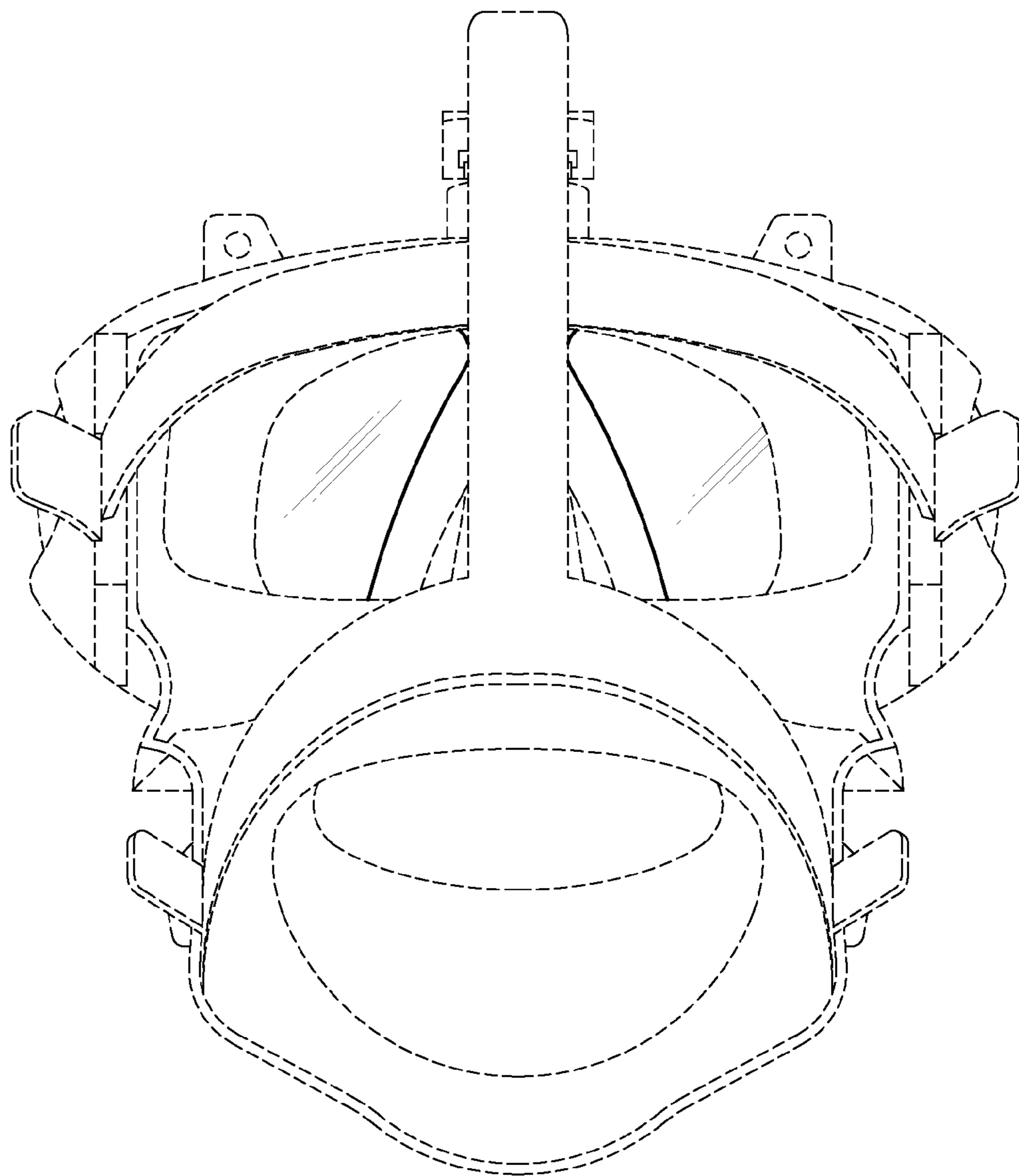


FIG. 5

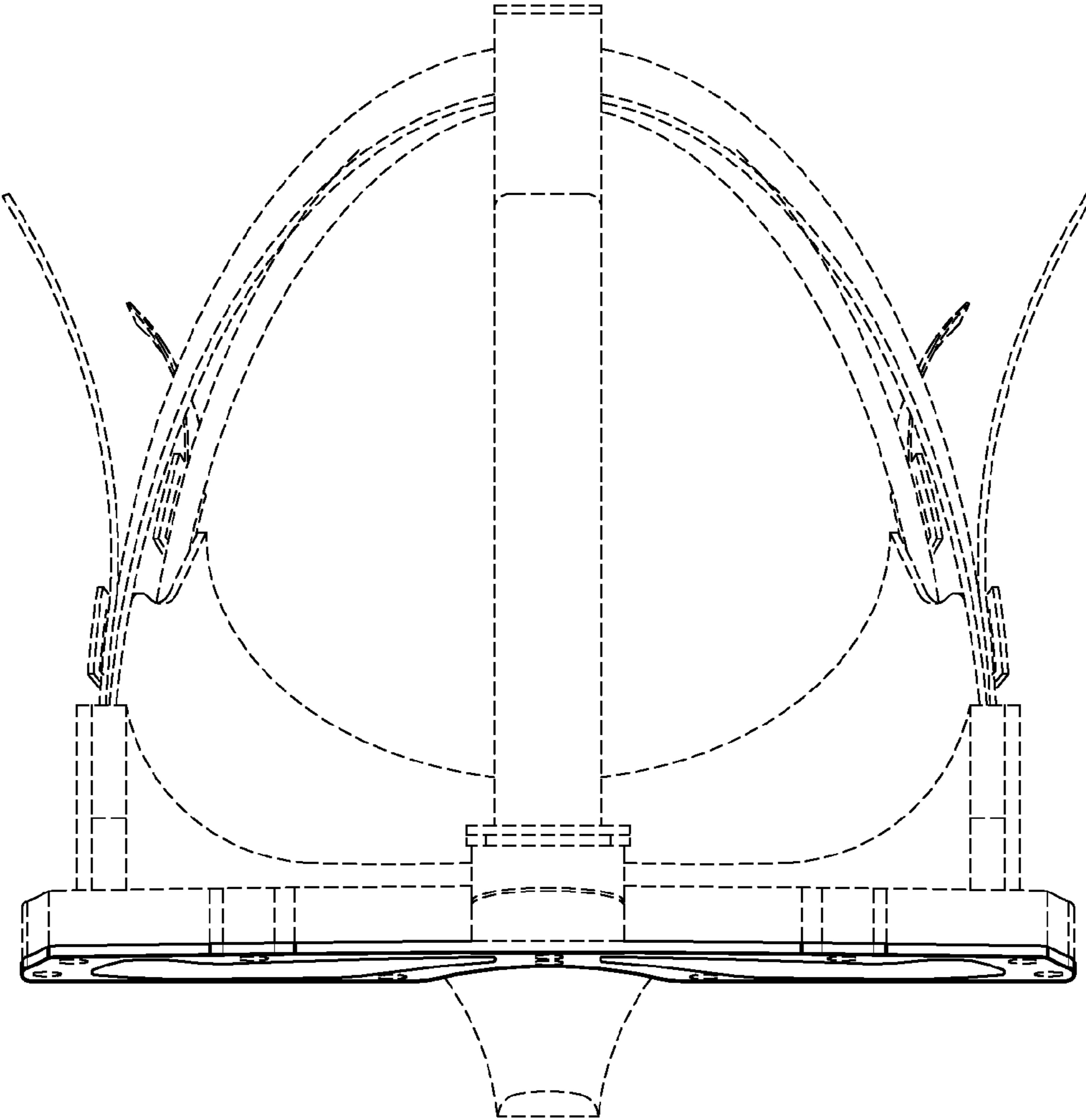


FIG. 6

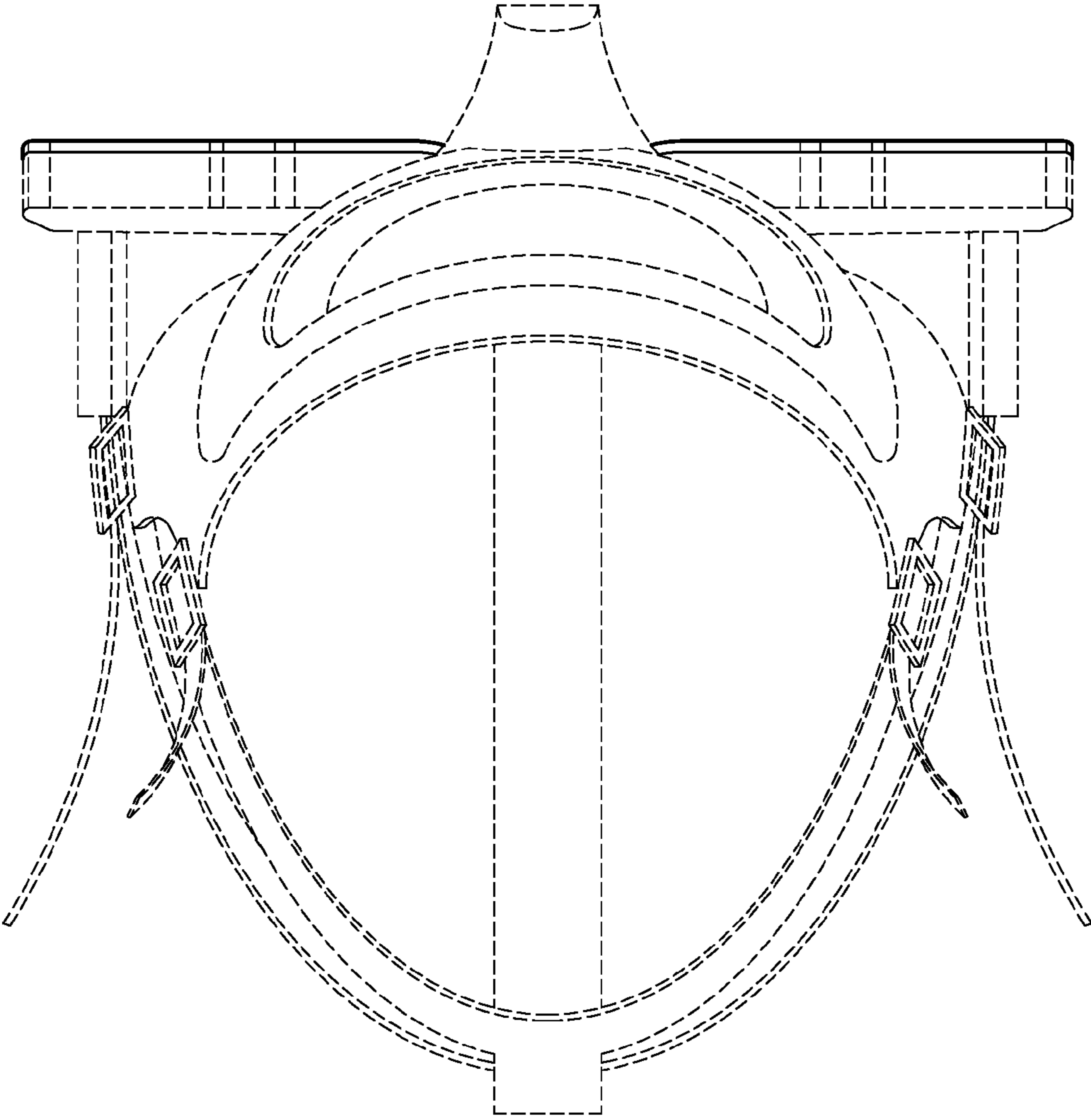


FIG. 7