



US00D625348S

(12) **United States Design Patent**  
**Sumita et al.**

(10) **Patent No.:** **US D625,348 S**  
(45) **Date of Patent:** **\*\* Oct. 12, 2010**

(54) **CAMERA**

(75) Inventors: **Kaoru Sumita**, Tokyo (JP); **Daisuke Ishii**, Tokyo (JP); **Noriaki Takagi**, Tokyo (JP); **Junko Katsuraku**, Tokyo (JP)

(73) Assignee: **Sony Corporation**, Tokyo (JP)

(\*\*) Term: **14 Years**

(21) Appl. No.: **29/311,816**

(22) Filed: **Jun. 30, 2009**

**Related U.S. Application Data**

(63) Continuation of application No. 29/309,296, filed on Jul. 21, 2008, now abandoned, and a continuation of application No. 29/309,297, filed on Jul. 21, 2008, now abandoned, and a continuation of application No. 29/309,298, filed on Jul. 21, 2008, now abandoned, and a continuation of application No. 29/309,300, filed on Jul. 21, 2008, now abandoned, which is a continuation of application No. 29/309,301, filed on Jul. 21, 2008, now abandoned.

(30) **Foreign Application Priority Data**

Jan. 22, 2008	(JP)	.....	2008-001159
Jan. 22, 2008	(JP)	.....	2008-001160
Jan. 22, 2008	(JP)	.....	2008-001161
Jan. 22, 2008	(JP)	.....	2008-001162
Jan. 22, 2008	(JP)	.....	2008-001163

(51) **LOC (9) Cl.** ..... **16-05**

(52) **U.S. Cl.** ..... **D16/219**

(58) **Field of Classification Search** ..... D16/200–204,  
D16/208, 218, 219; 348/373–376; 358/909.1;  
396/535–541

See application file for complete search history.

(56) **References Cited**

**U.S. PATENT DOCUMENTS**

D302,664 S	8/1989	Dawson, Jr.	
D394,076 S *	5/1998	Matsumura et al.	..... D16/209
D396,242 S *	7/1998	Ito	..... D16/218

(Continued)

**FOREIGN PATENT DOCUMENTS**

JP D1321152 S 2/2008  
*Primary Examiner*—Adir Aronovich  
(74) *Attorney, Agent, or Firm*—Rader, Fishman & Grauer PLLC

(57) **CLAIM**

The ornamental design for a camera, as shown and described.

**DESCRIPTION**

FIG. 1 is a front, perspective view of a camera showing our new design;

FIG. 2 is a front elevational view thereof;

FIG. 3 is a left side elevational view thereof;

FIG. 4 is a top plan view thereof.

FIG. 5 is a front, perspective view of the second embodiment of the camera showing our new design;

FIG. 6 is a front elevational view thereof;

FIG. 7 is a left side elevational view thereof;

FIG. 8 is a top plan view thereof.

FIG. 9 is a front, perspective view of the third embodiment of the camera showing our new design;

FIG. 10 is a front elevational view thereof;

FIG. 11 is a left side elevational view thereof;

FIG. 12 is a top plan view thereof.

FIG. 13 is a front, perspective view of the fourth embodiment of the camera showing our new design;

FIG. 14 is a front elevational view thereof;

FIG. 15 is a left side elevational view thereof; and

FIG. 16 is a top plan view thereof.

FIG. 17 is still another embodiment of a perspective view of a camera showing our new design;

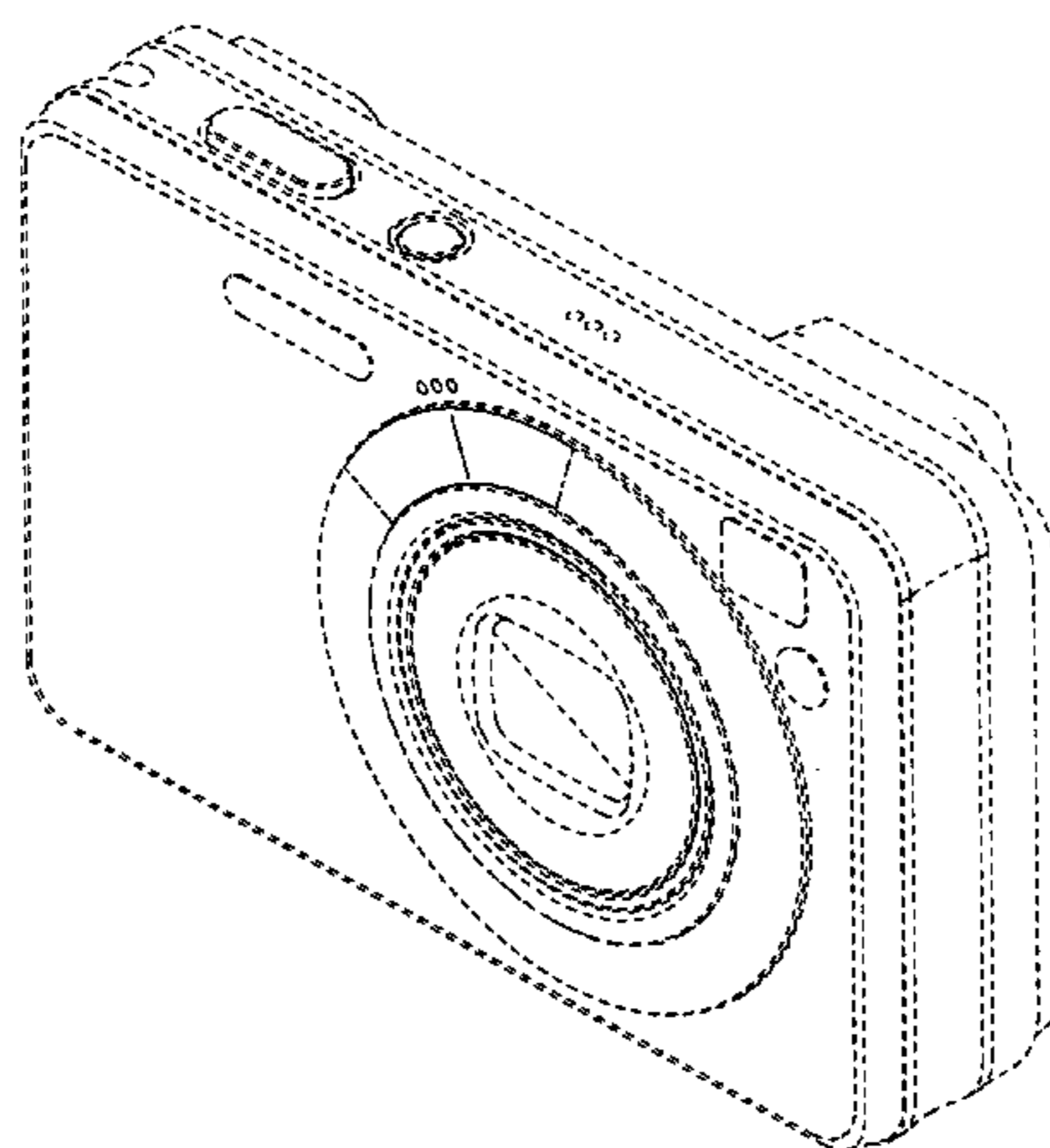
FIG. 18 is a front, perspective view of the fifth embodiment of the camera showing our new design;

FIG. 19 is a left side elevational view thereof; and,

FIG. 20 is a top plan view thereof.

The portions of the camera in broken lines are shown for illustrative purposes only and form no part of the claimed design.

**1 Claim, 20 Drawing Sheets**



# US D625,348 S

Page 2

## U.S. PATENT DOCUMENTS

D407,731 S *	4/1999	Morishita et al. ....	D16/209	D556,808 S *	12/2007	Hayamizu .....	D16/219
D411,852 S *	7/1999	Huang .....	D16/209	D558,246 S *	12/2007	Hayamizu .....	D16/202
D455,793 S	4/2002	Lin		D562,867 S	2/2008	Inaba	
D465,505 S *	11/2002	Nasu .....	D16/219	D566,740 S *	4/2008	Nohara .....	D16/202
D468,717 S	1/2003	Cuvelier		D568,357 S *	5/2008	Shimobayashi .....	D16/202
D476,636 S	7/2003	Ota		D570,890 S *	6/2008	Yoneya et al. ....	D16/218
D478,110 S *	8/2003	Nasu .....	D16/219	D571,845 S *	6/2008	Shimobayashi .....	D16/202
D485,251 S	1/2004	Lee		D577,755 S *	9/2008	Fujii .....	D16/202
D488,796 S	4/2004	Hirano		D577,757 S *	9/2008	Sumita .....	D16/202
D516,599 S *	3/2006	Nakamura .....	D16/202	D582,954 S *	12/2008	Imai .....	D16/202
D518,016 S	3/2006	Hirano		D591,781 S *	5/2009	Matsuda .....	D16/202
D519,976 S	5/2006	Lee		D593,143 S *	5/2009	Kuroda .....	D16/202
D535,314 S	1/2007	Chang		D601,603 S *	10/2009	Jang et al. ....	D16/202
D546,854 S *	7/2007	Hayashi .....	D16/202	2006/0139457 A1	6/2006	Liao	
D547,784 S	7/2007	Shimobayashi		2007/0212062 A1 *	9/2007	Saiki et al. ....	396/535

\* cited by examiner

FIG.1

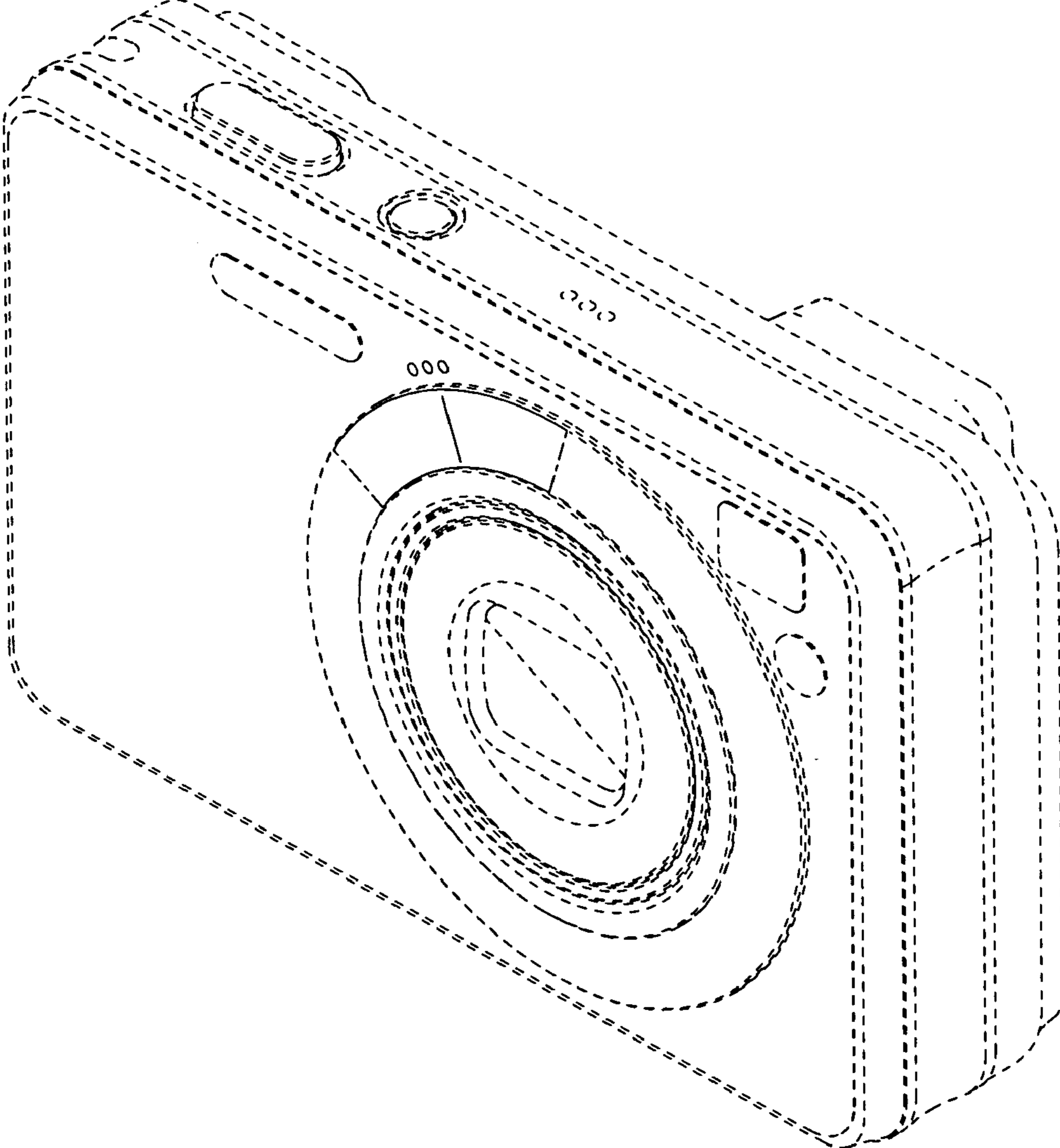


FIG.2

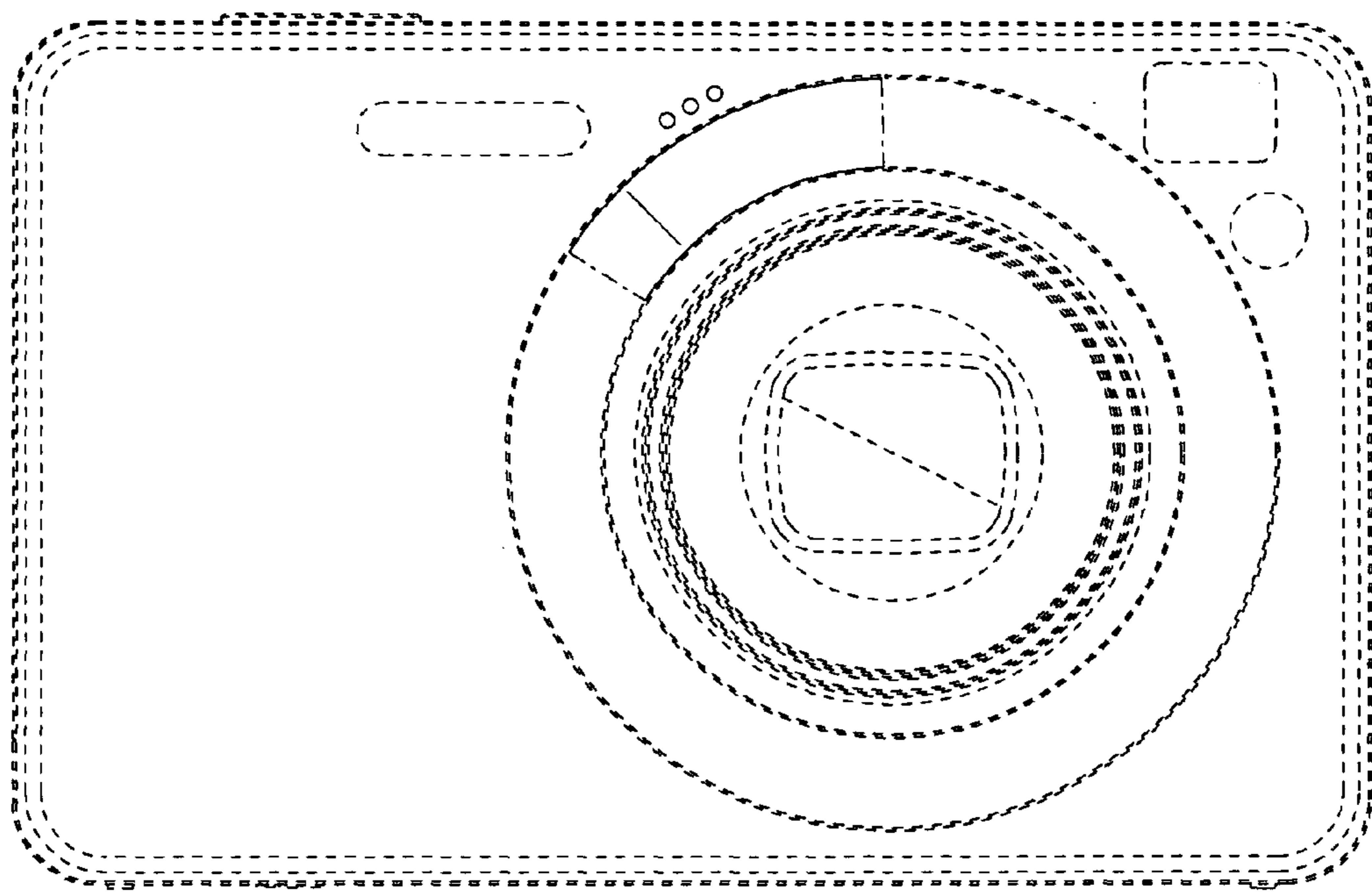


FIG.3

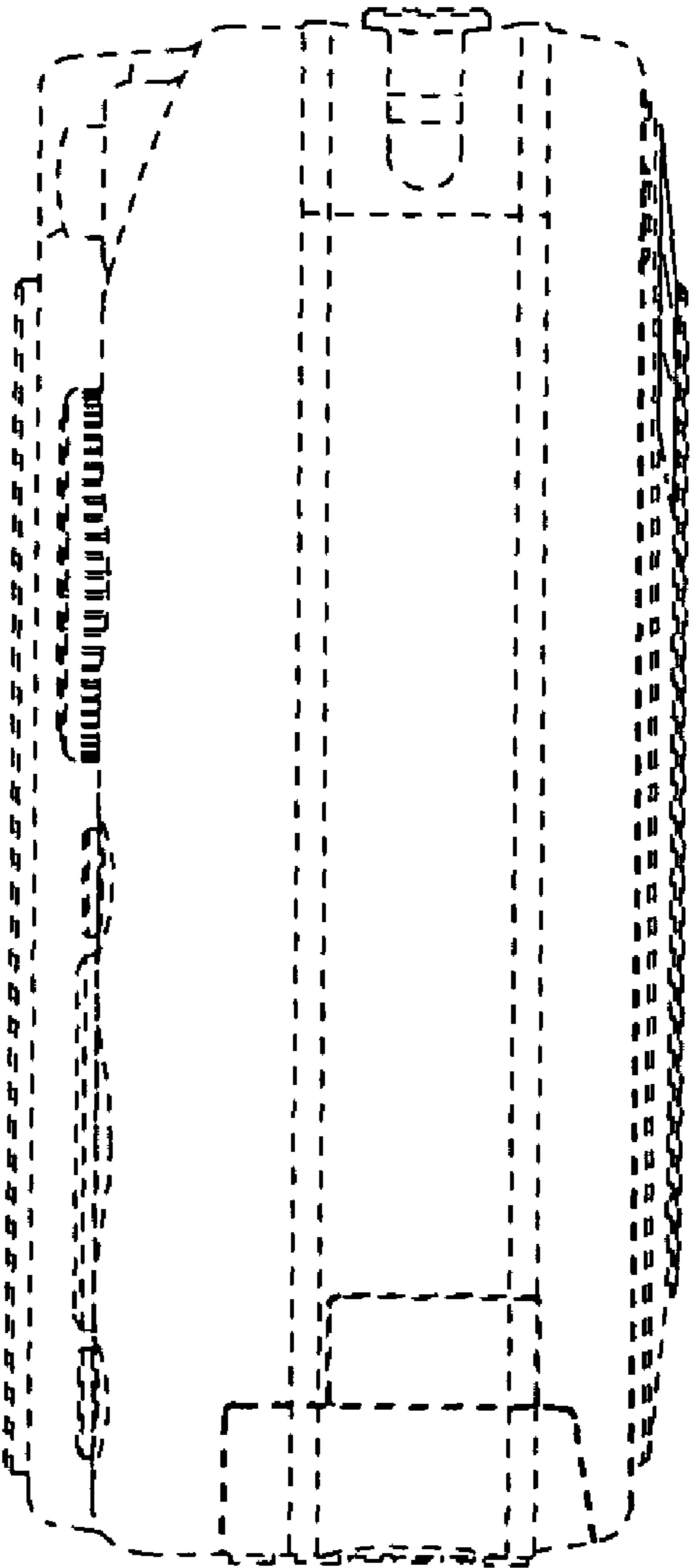




FIG.4

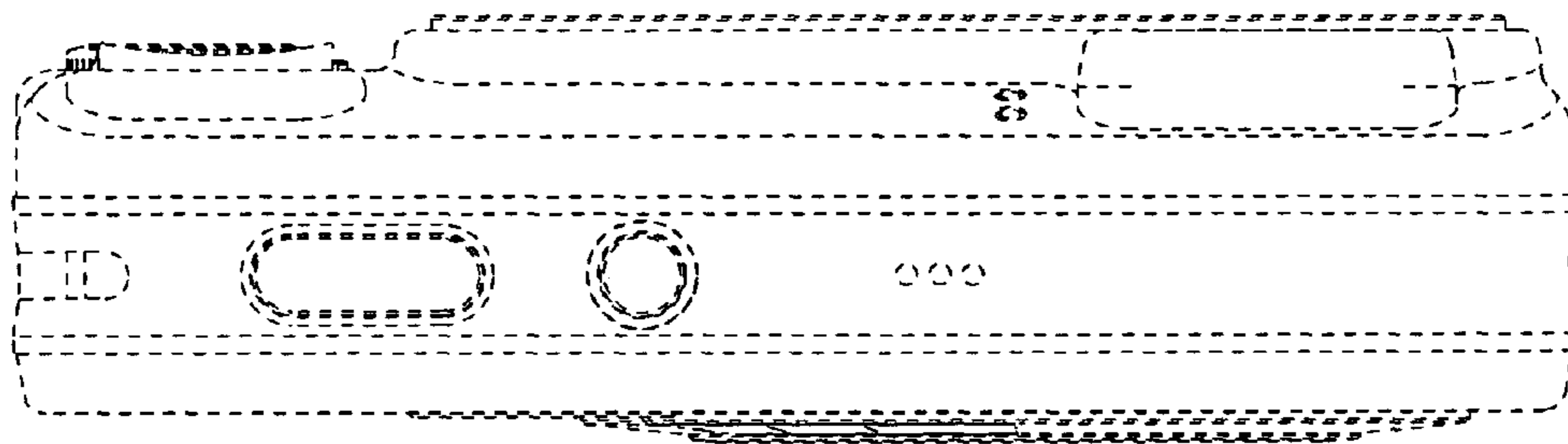


FIG.5

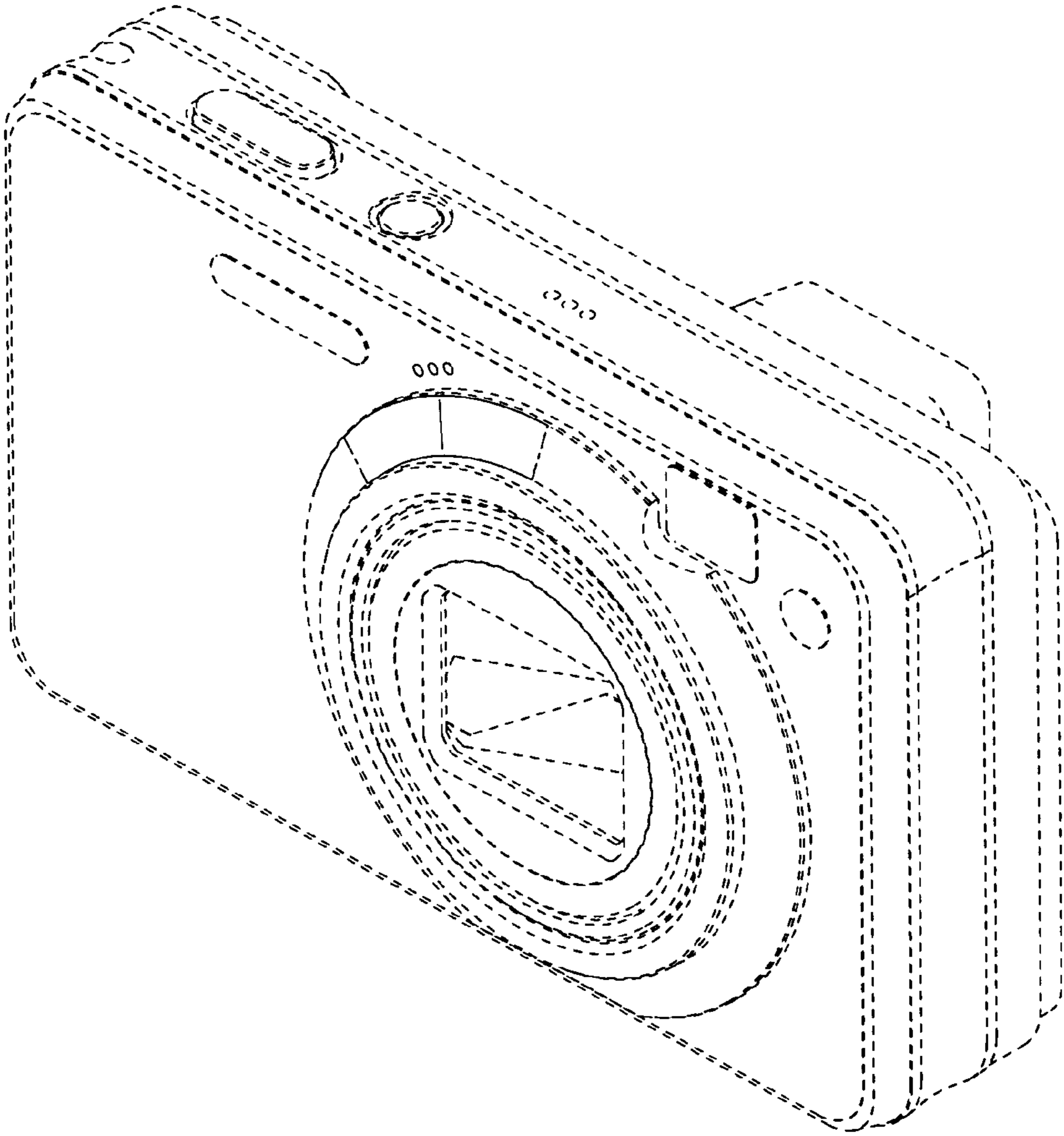


FIG.6

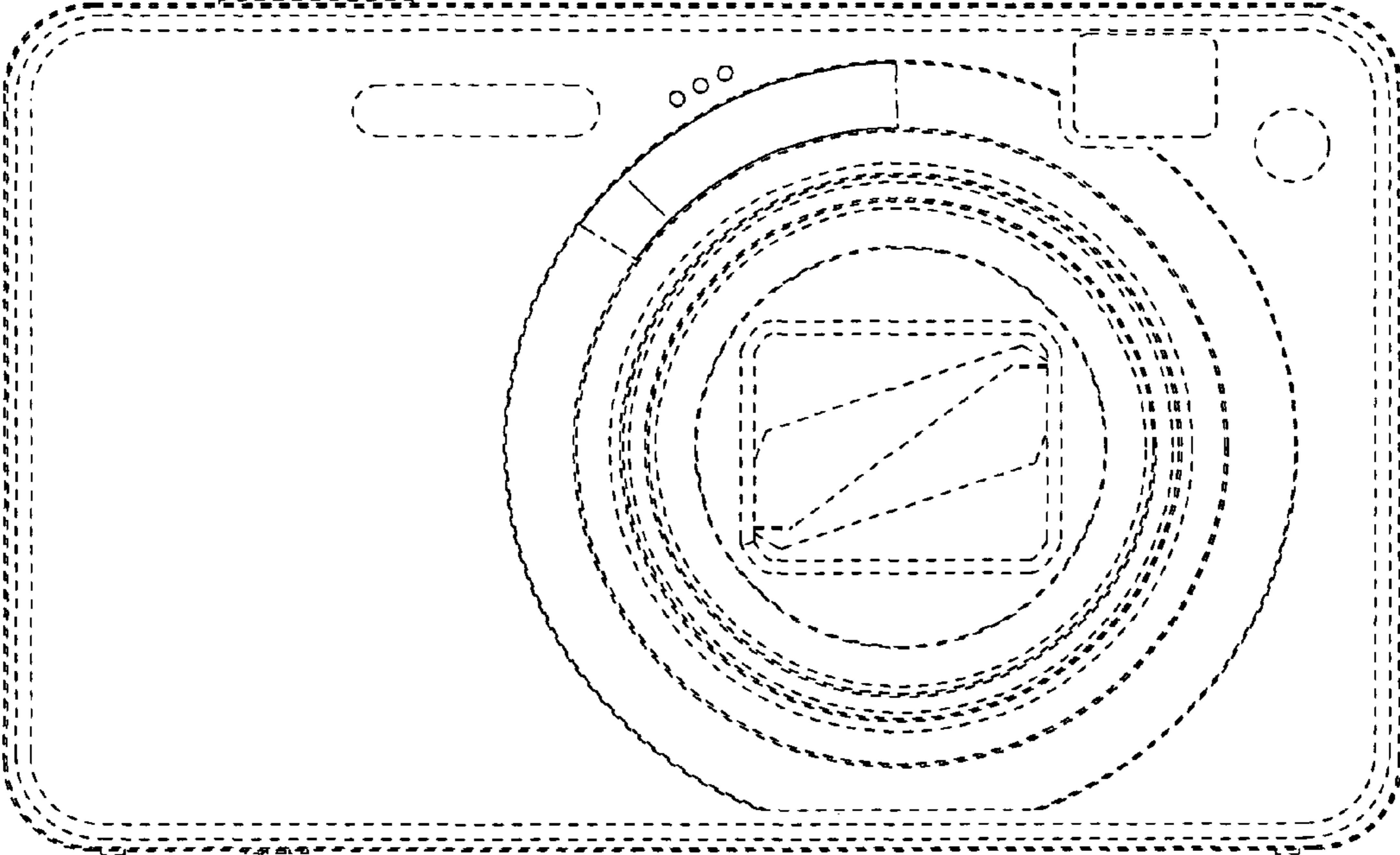




FIG. 7

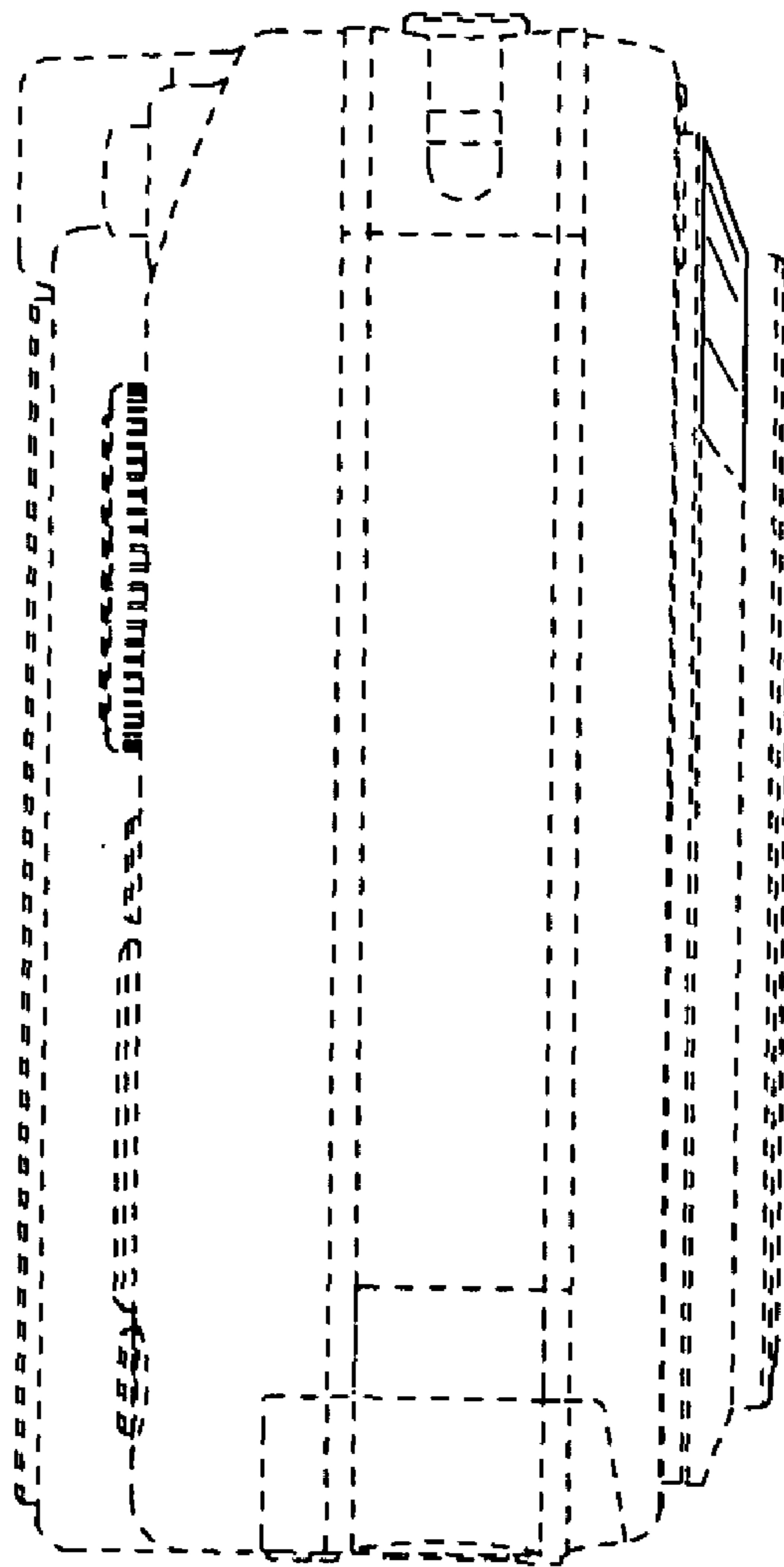


FIG.8

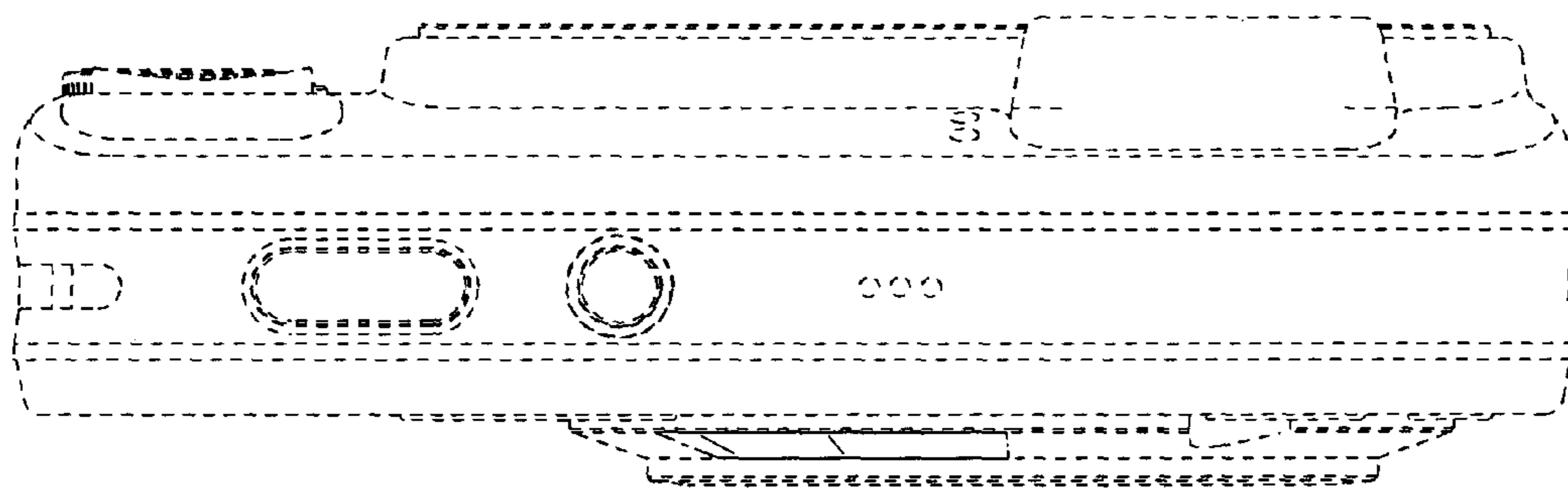


FIG.9

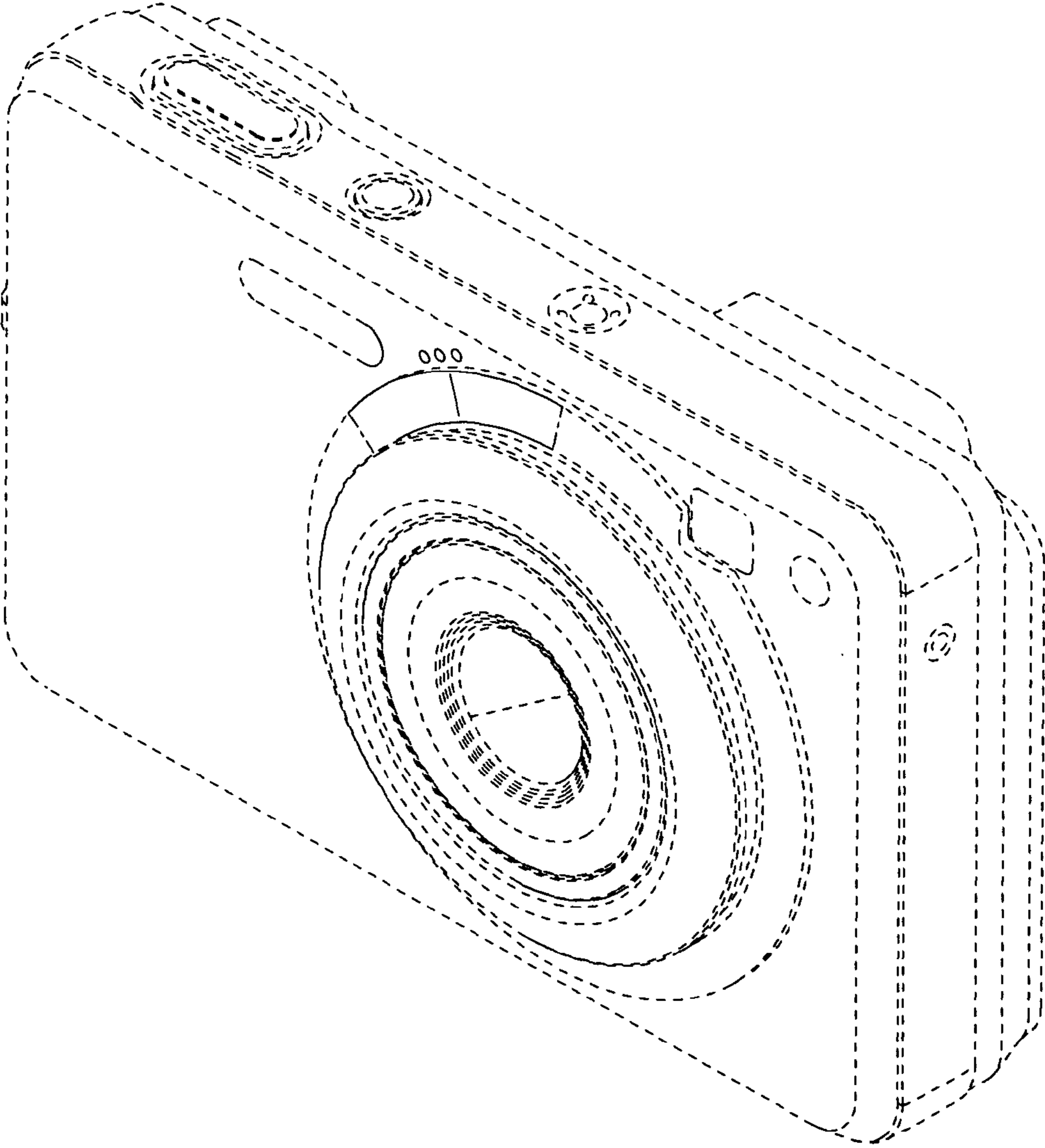


FIG.10

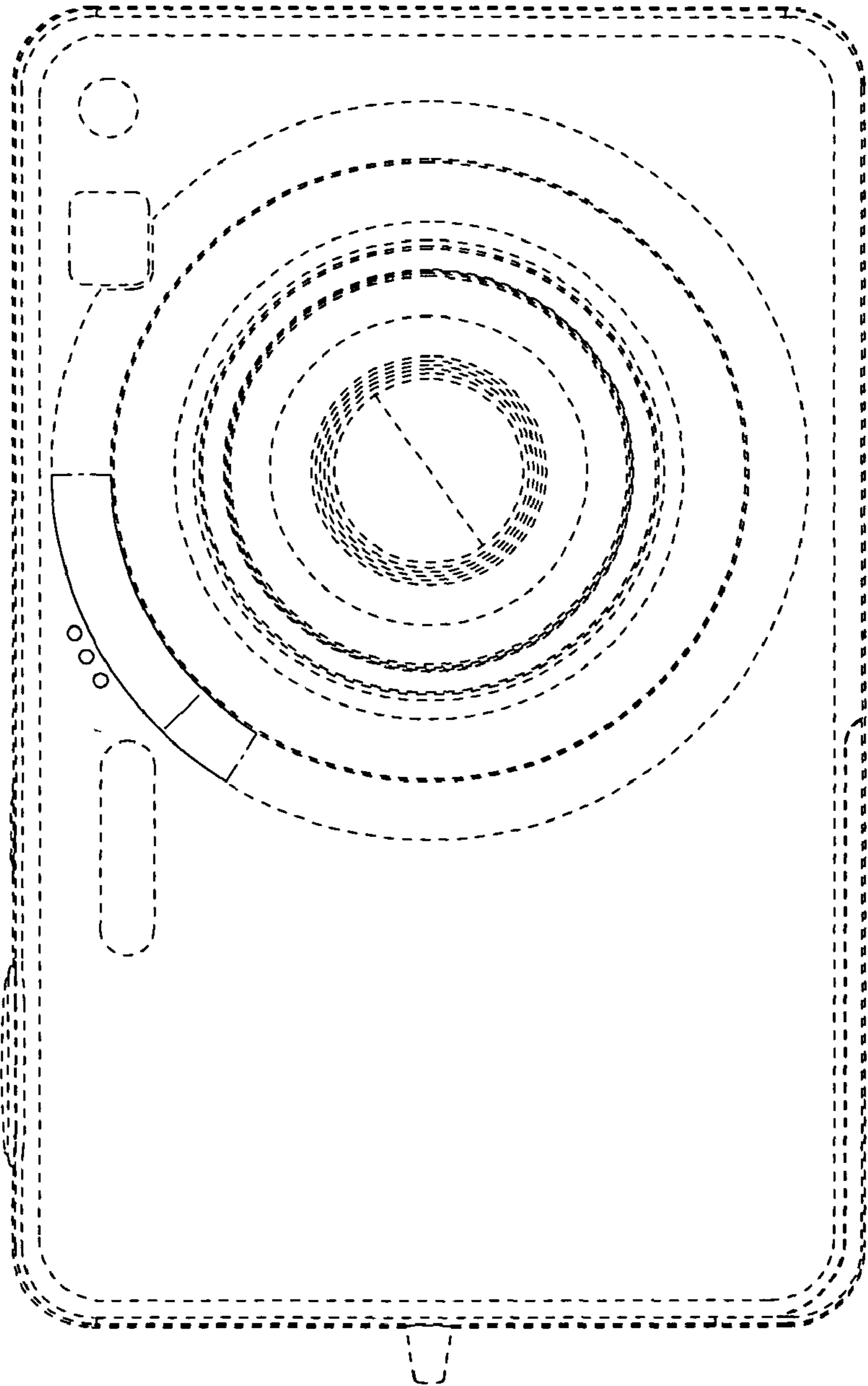


FIG.11

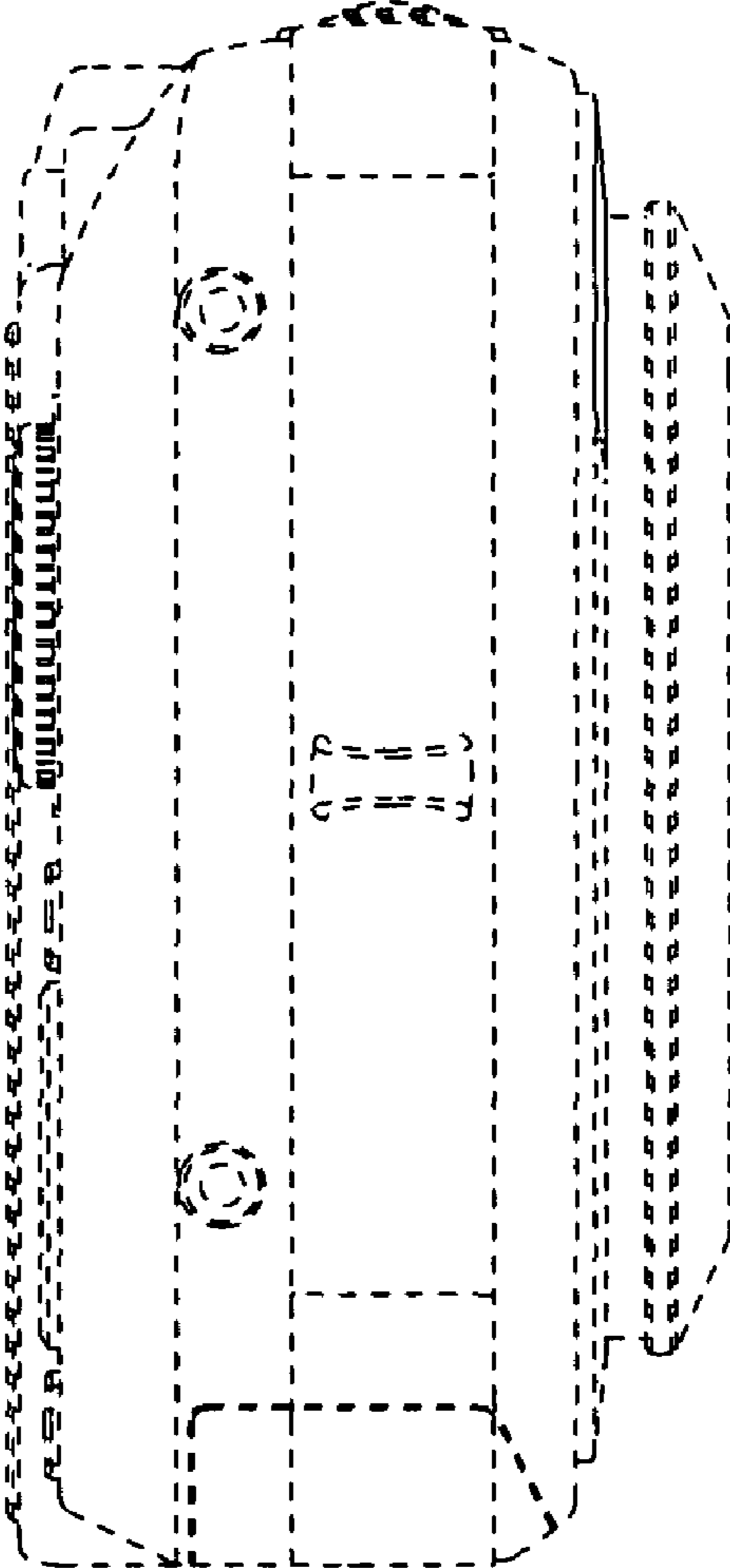




FIG.12

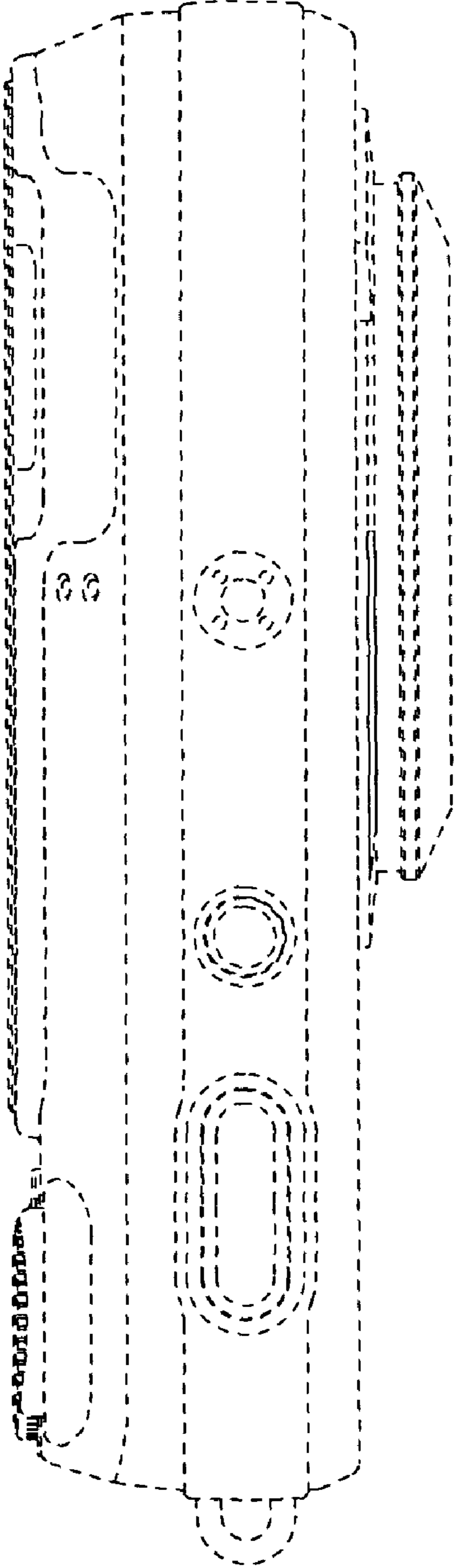


FIG.13

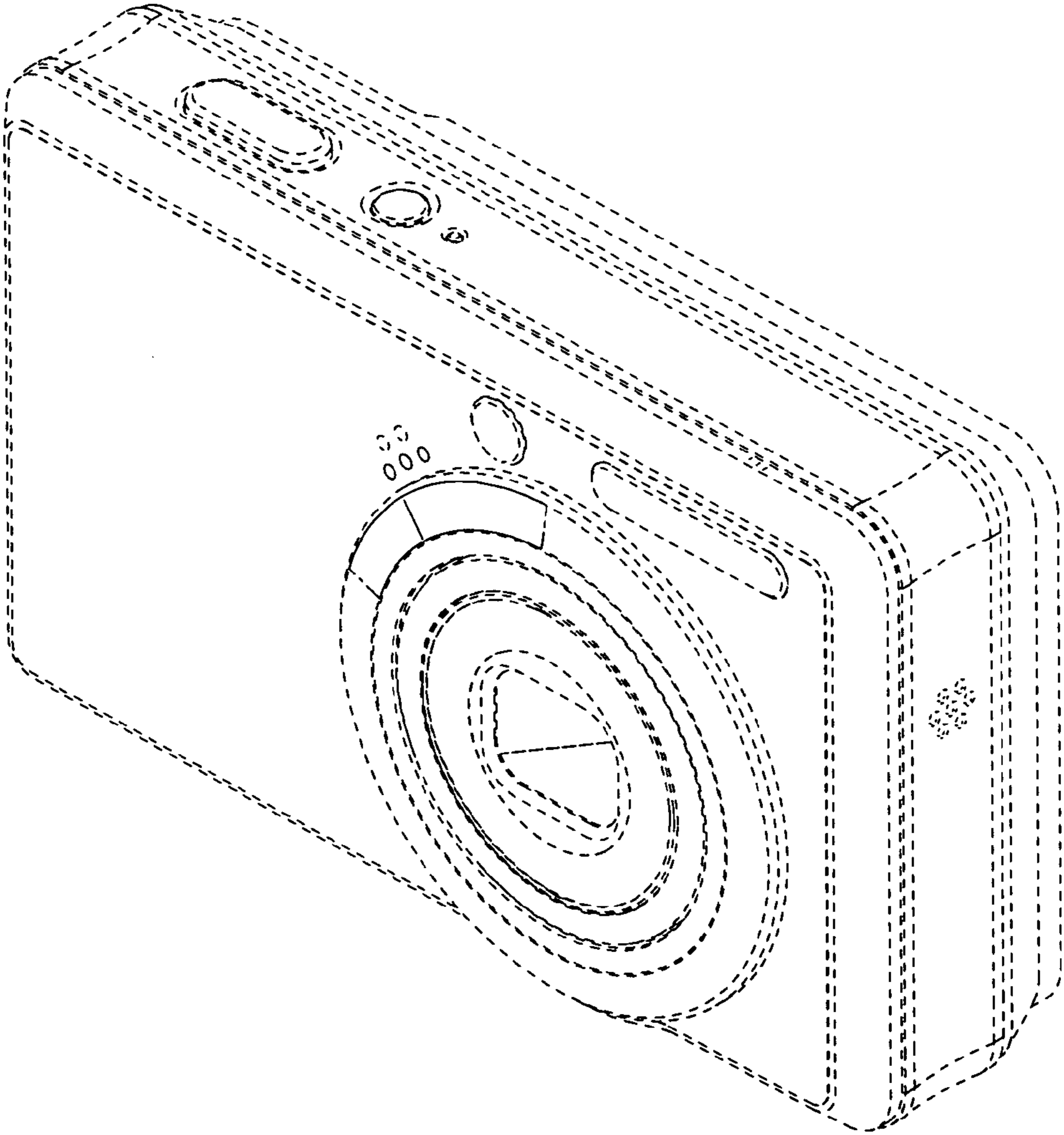


FIG.14

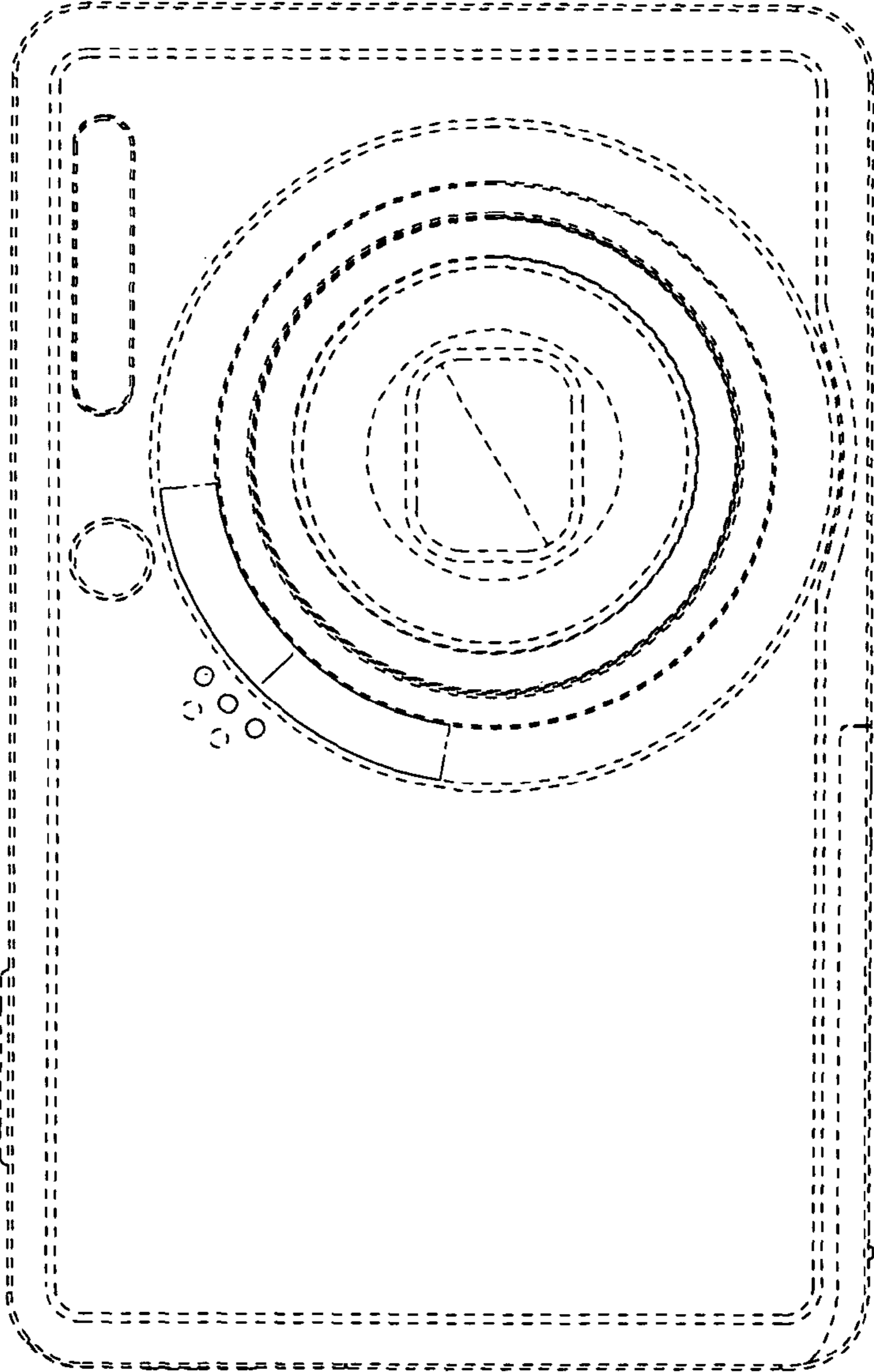


FIG.15

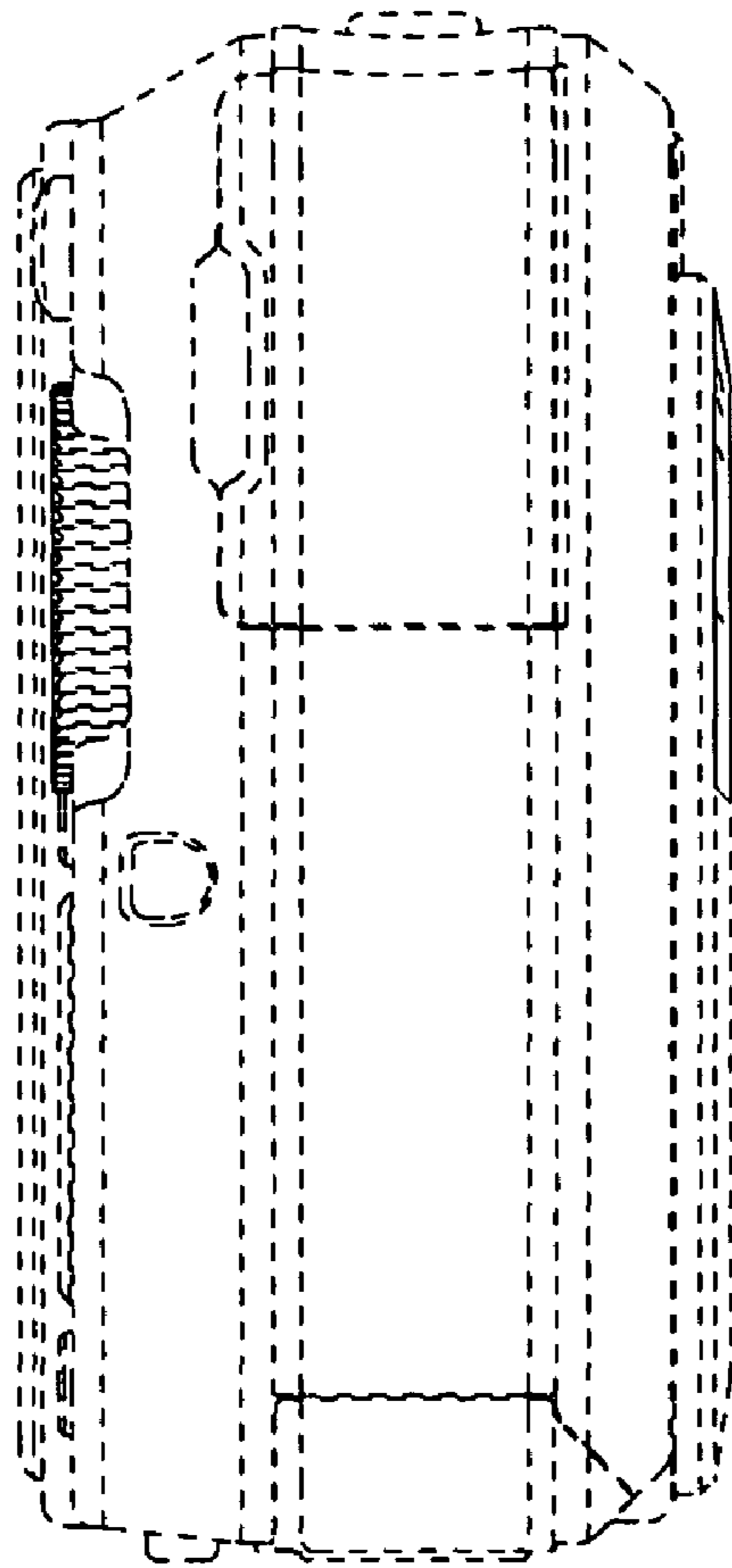


FIG. 16

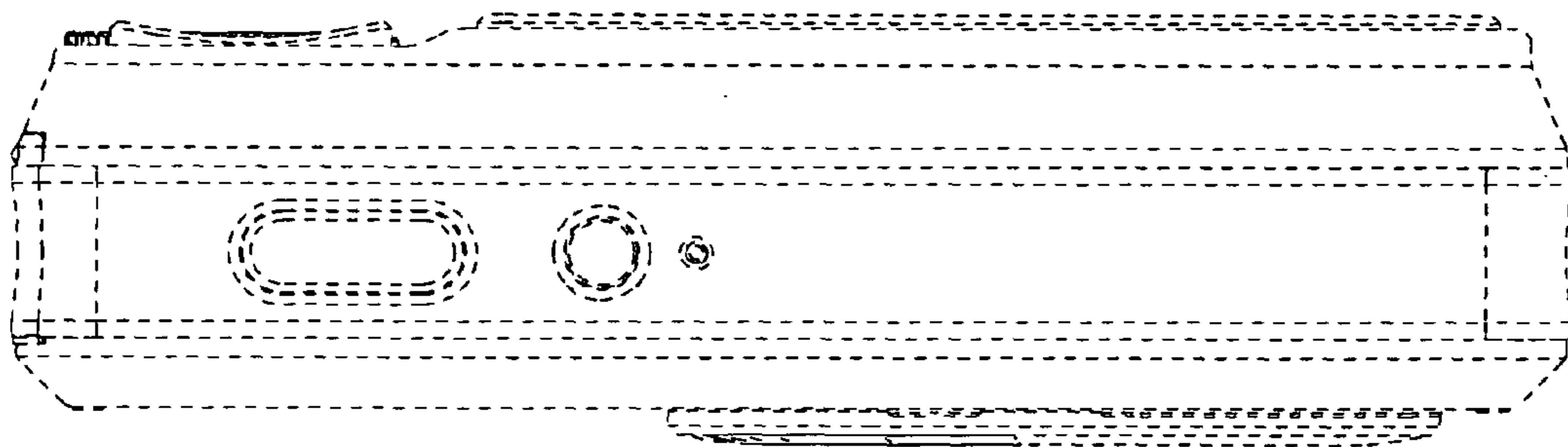




FIG.17

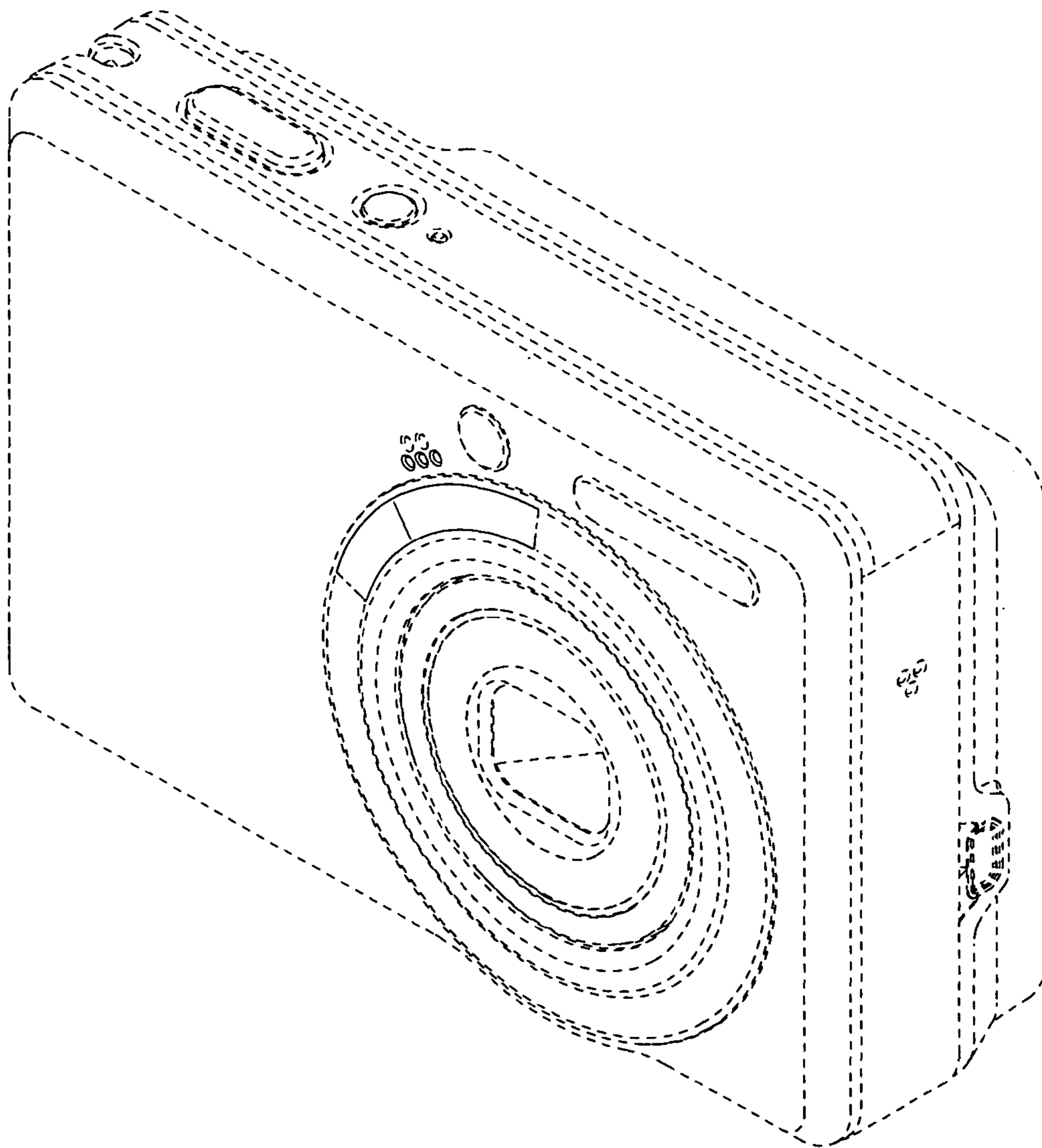


FIG.18

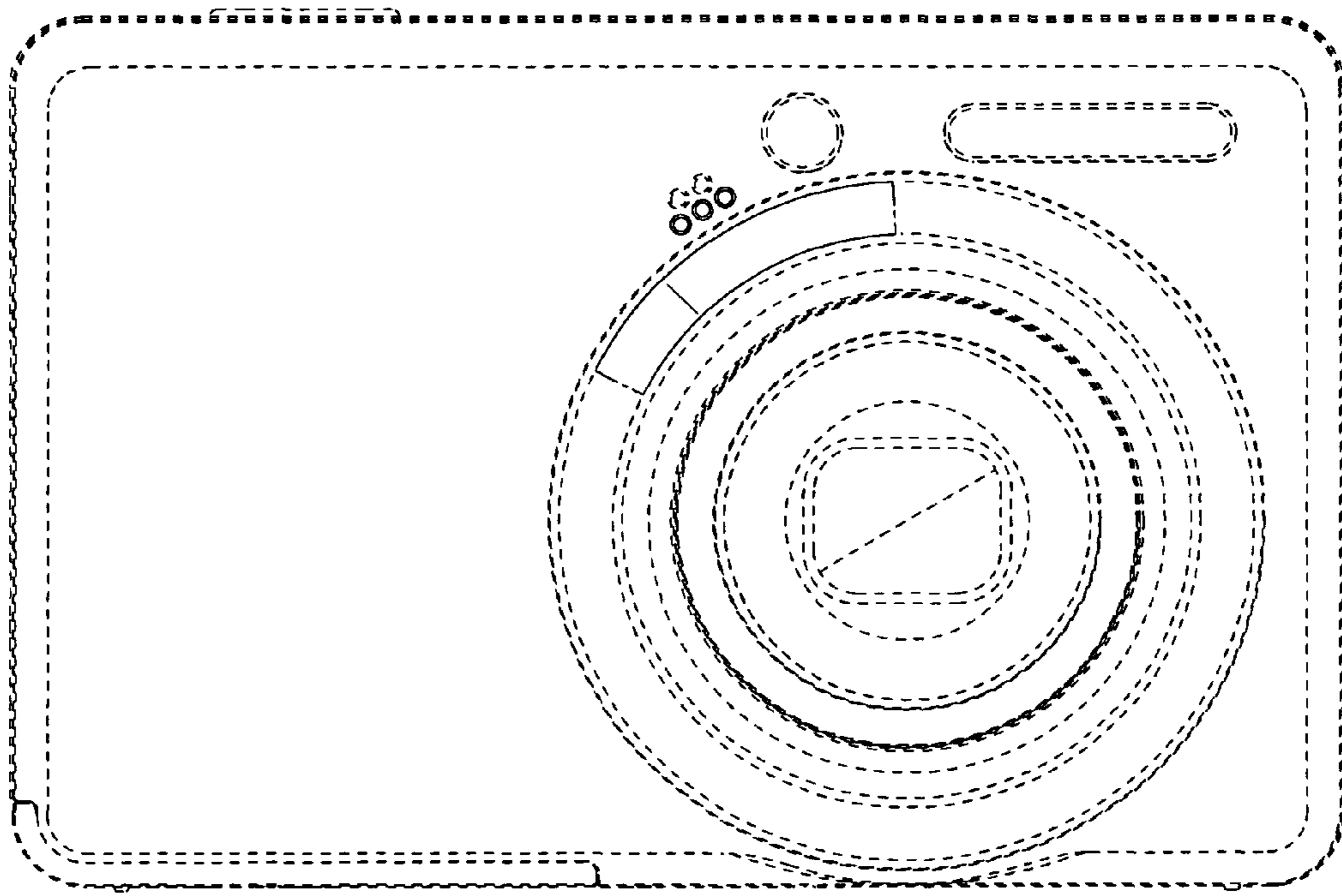


FIG.19

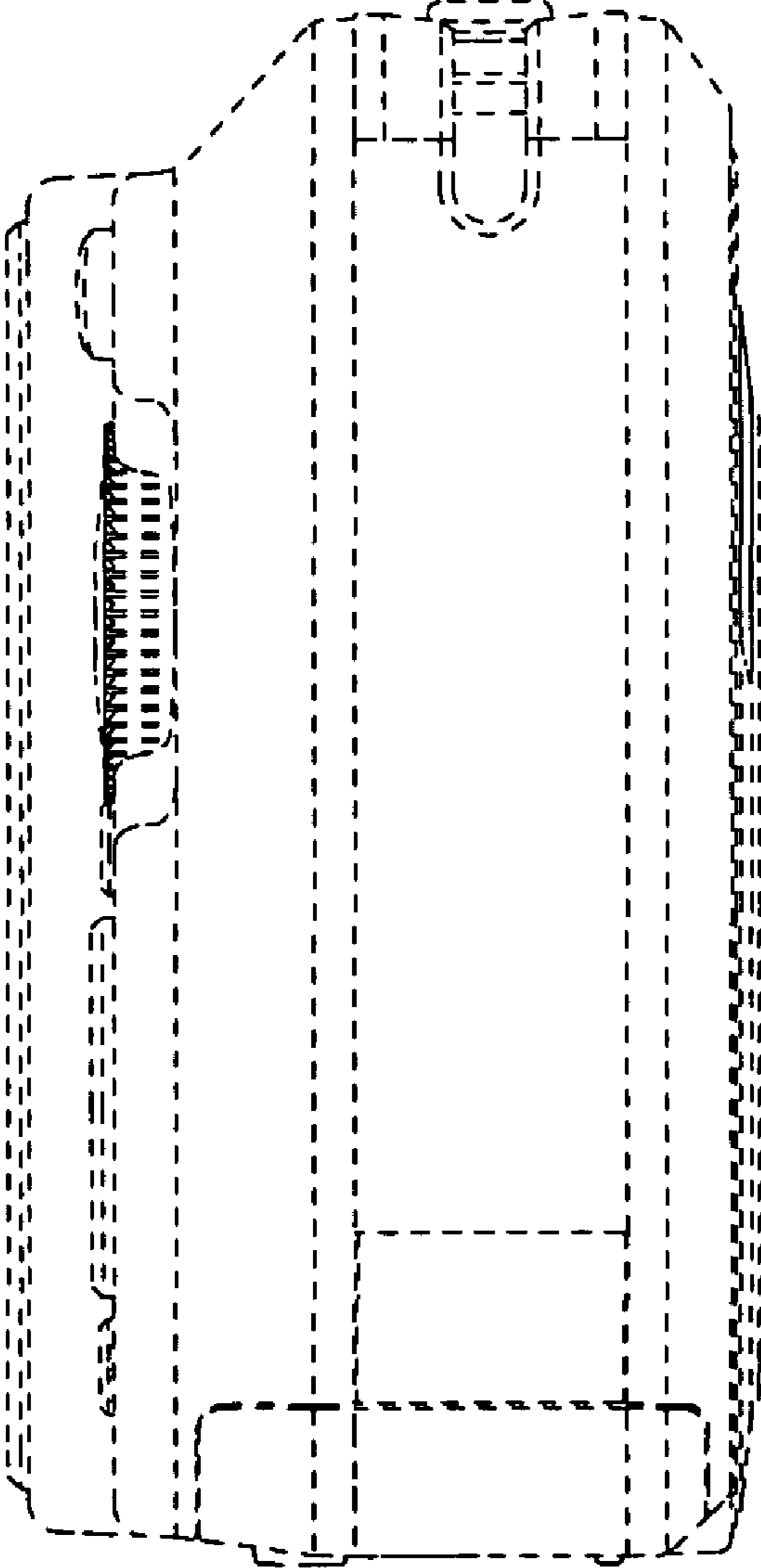


FIG.20

