



US00D625347S

(12) **United States Design Patent**
Feng

(10) **Patent No.:** **US D625,347 S**
(45) **Date of Patent:** **** Oct. 12, 2010**

(54) **ROBOT**

(75) Inventor: **Yong Feng**, Shenzhen (CN)

(73) Assignee: **Hon Hai Precision Industry Co., Ltd.**,
Tu-Cheng, Taipei Hsien (TW)

(**) Term: **14 Years**

(21) Appl. No.: **29/351,640**

(22) Filed: **Dec. 9, 2009**

(30) **Foreign Application Priority Data**

Sep. 21, 2009 (CN) 200930317069

(51) **LOC (9) Cl.** **15-99**

(52) **U.S. Cl.** **D15/199**

(58) **Field of Classification Search** D15/122,
D15/199; D24/176; 74/490.01, 490.02,
74/490.03, 490.05; 219/124.34, 639; 318/560;
700/99, 150

See application file for complete search history.

(56) **References Cited**

U.S. PATENT DOCUMENTS

D268,033 S * 2/1983 Stackhouse D15/199
D274,182 S * 6/1984 Kato D15/199

4,518,307 A * 5/1985 Bloch 414/729
4,594,049 A * 6/1986 Terauchi 414/744.5
D293,324 S * 12/1987 Gotou et al. D15/199
D343,630 S * 1/1994 Tomiyama et al. D15/199
D503,943 S * 4/2005 Kawaguchi D15/199
D613,781 S * 4/2010 Liu et al. D15/199

* cited by examiner

Primary Examiner—Patricia Palasik

(74) *Attorney, Agent, or Firm*—Clifford O. Chi

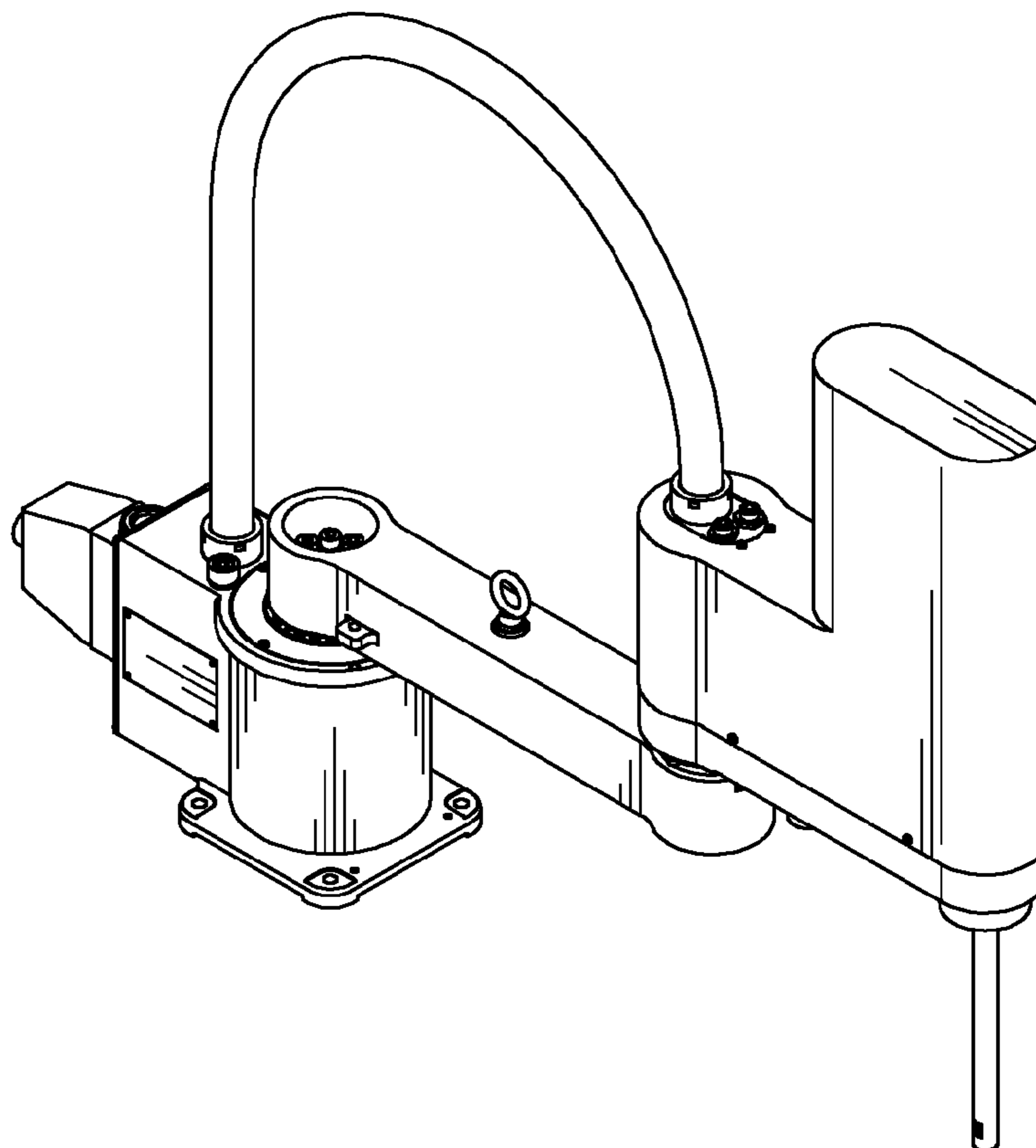
(57) **CLAIM**

The ornamental design for a robot, as shown and described.

DESCRIPTION

FIG. 1 is a perspective view of a robot showing my design;
FIG. 2 is a front elevational view thereof;
FIG. 3 is a rear elevational view thereof;
FIG. 4 is a left-side elevational view thereof;
FIG. 5 is a right-side elevational view thereof;
FIG. 6 is a top plan view thereof;
FIG. 7 is a bottom view thereof;
FIG. 8 shows a first operating state of the robot of FIG. 1; and,
FIG. 9 shows a second operating state of the robot of FIG. 1.

1 Claim, 9 Drawing Sheets



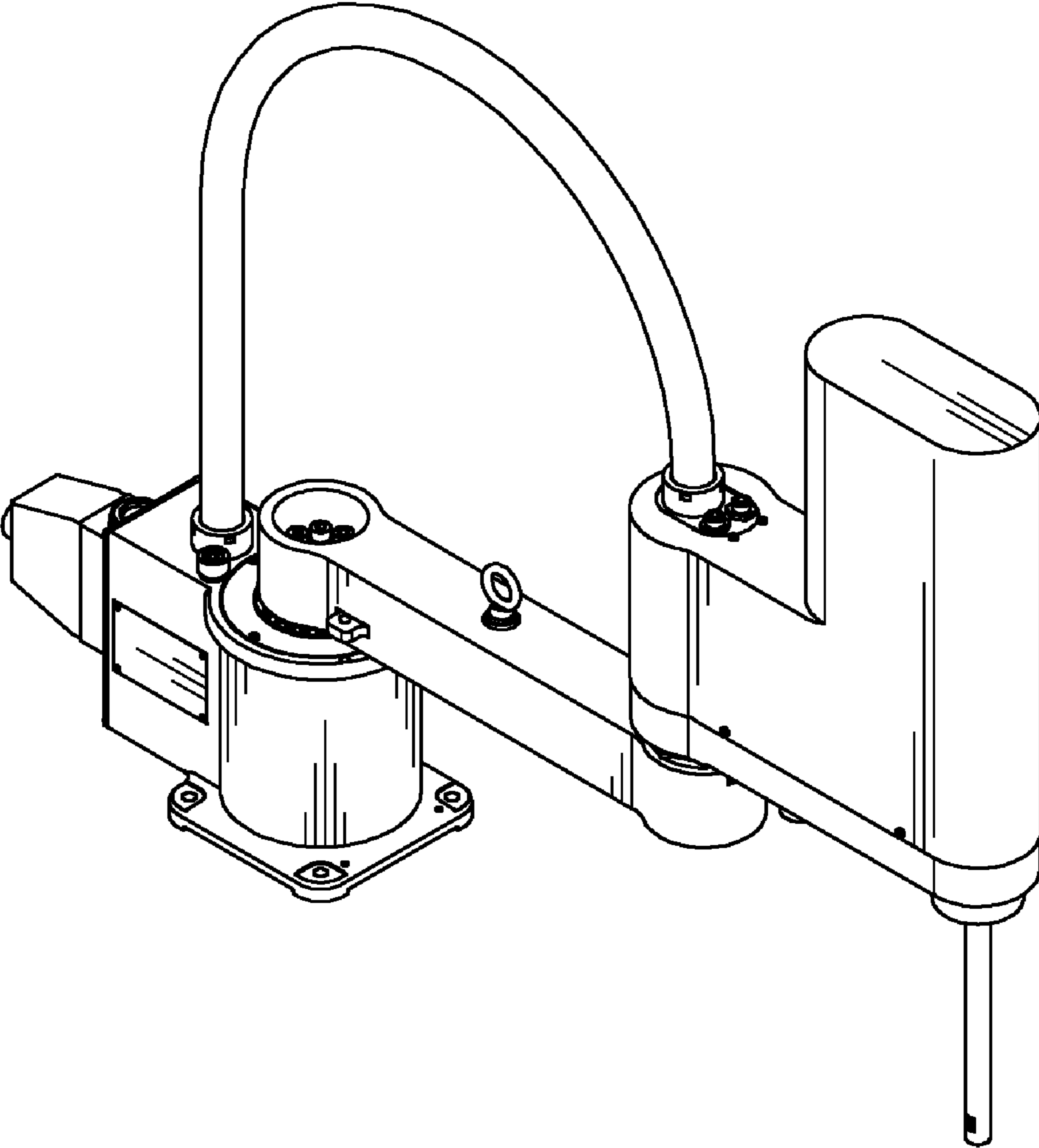


FIG. 1

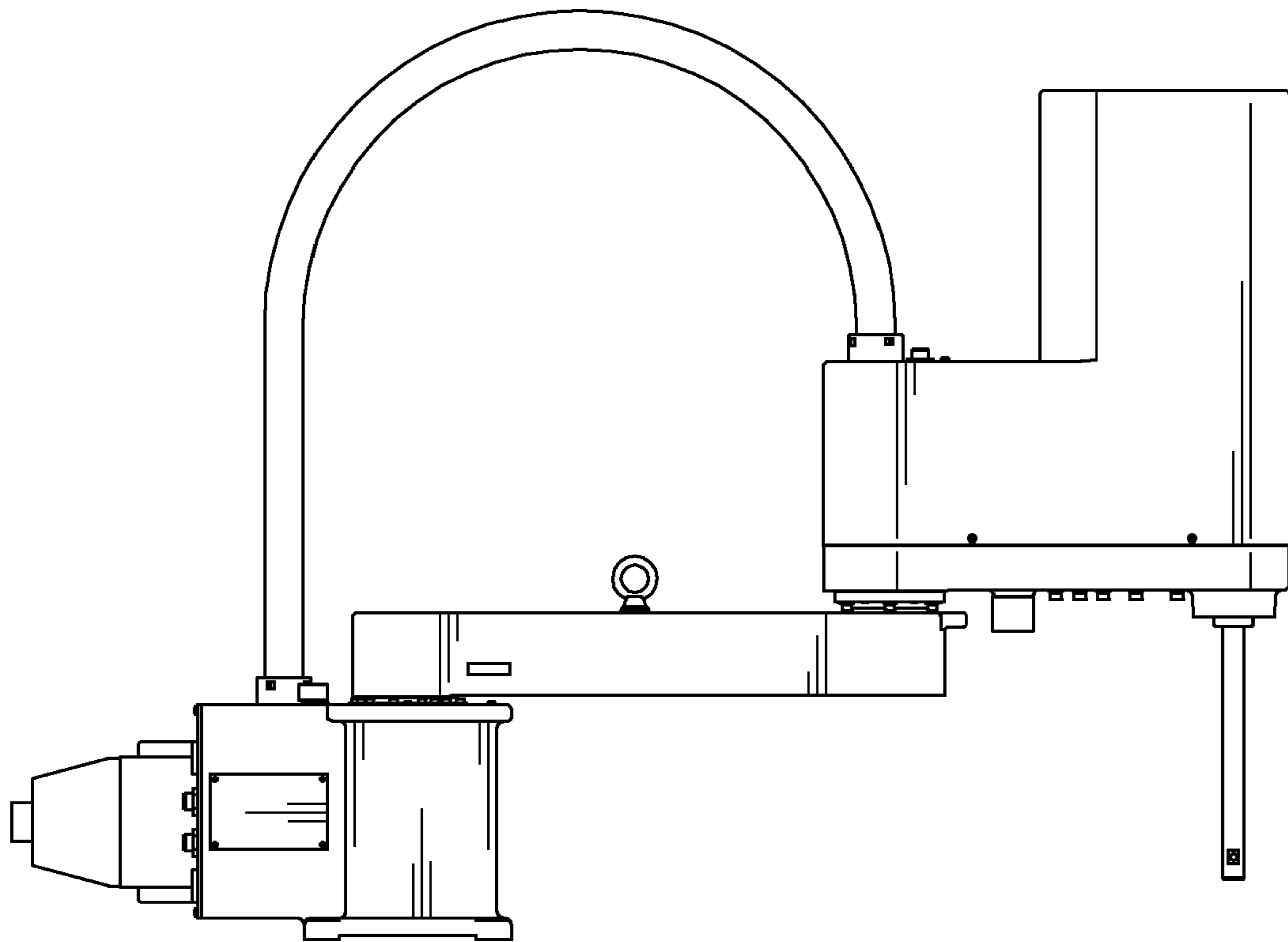


FIG. 2

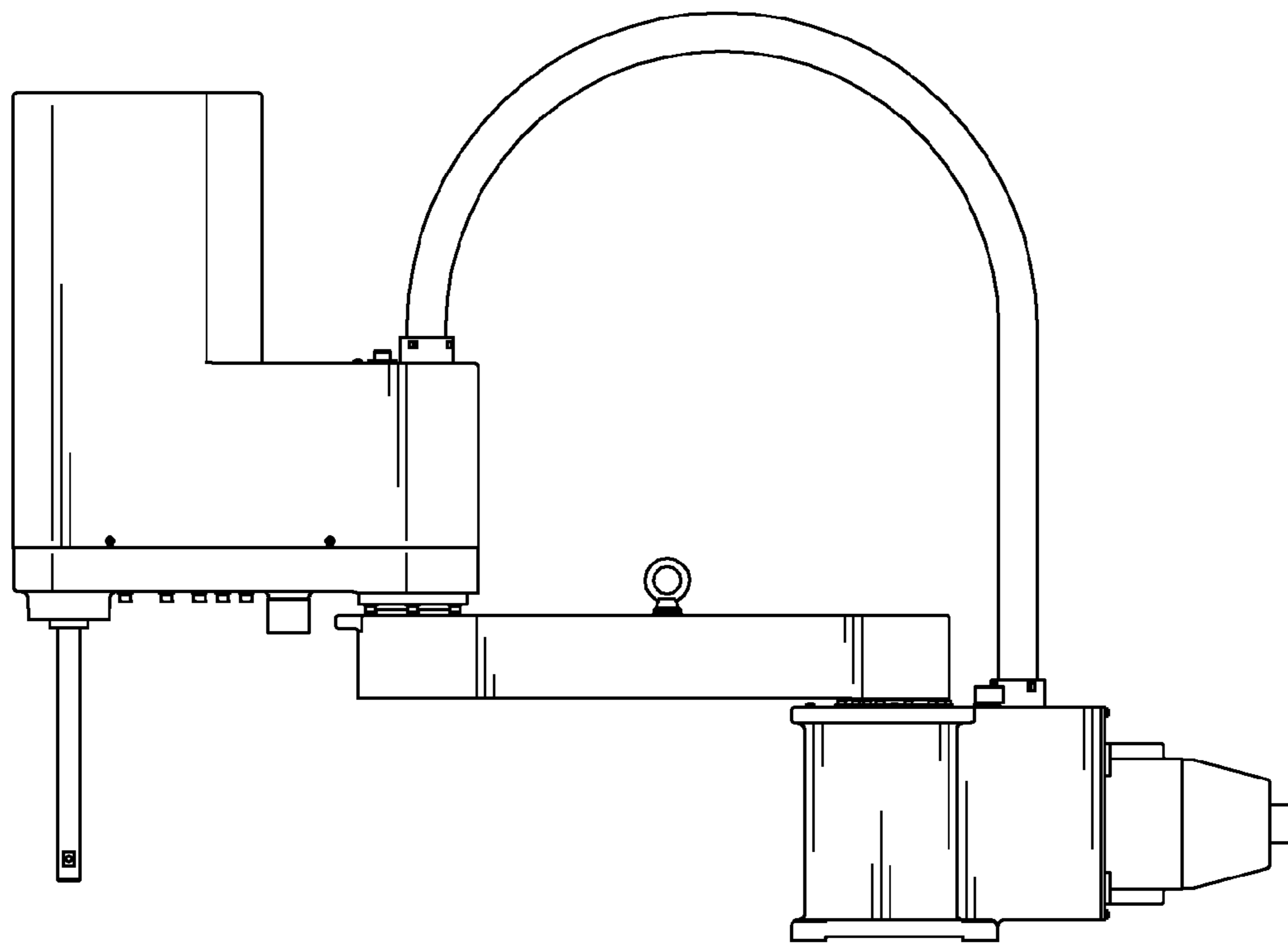


FIG. 3

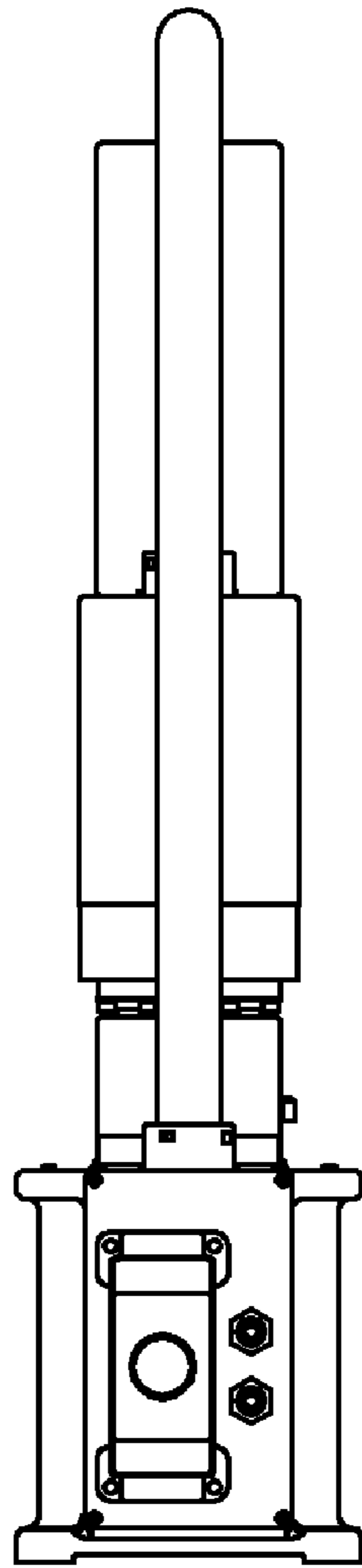


FIG. 4

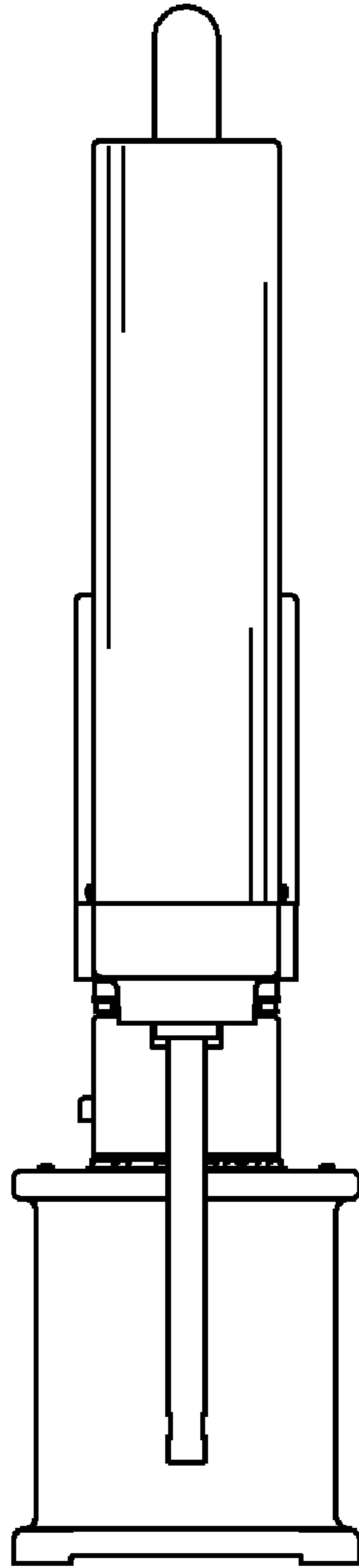


FIG. 5

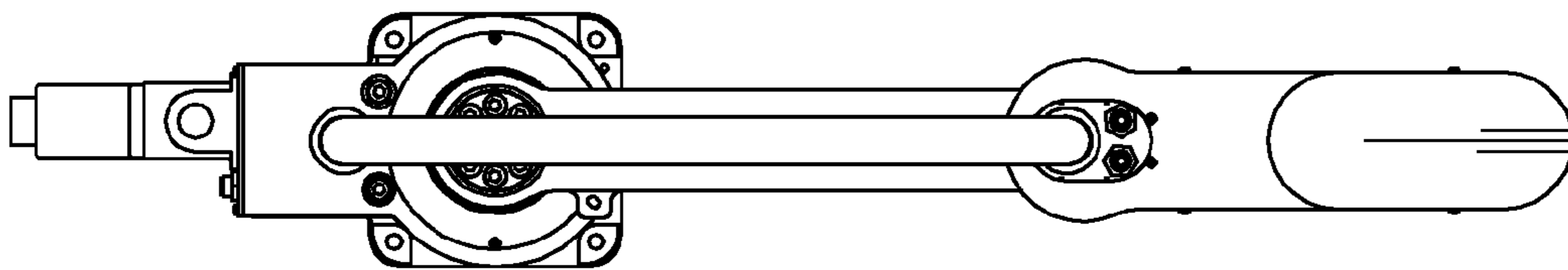


FIG. 6

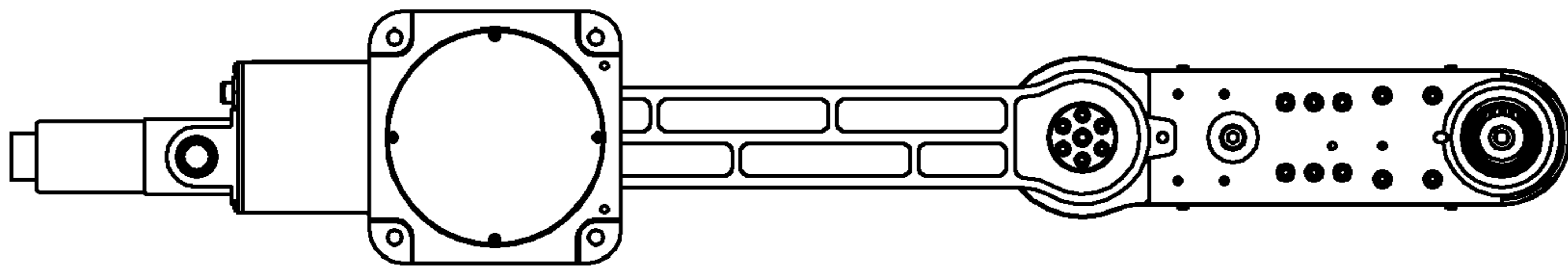


FIG. 7

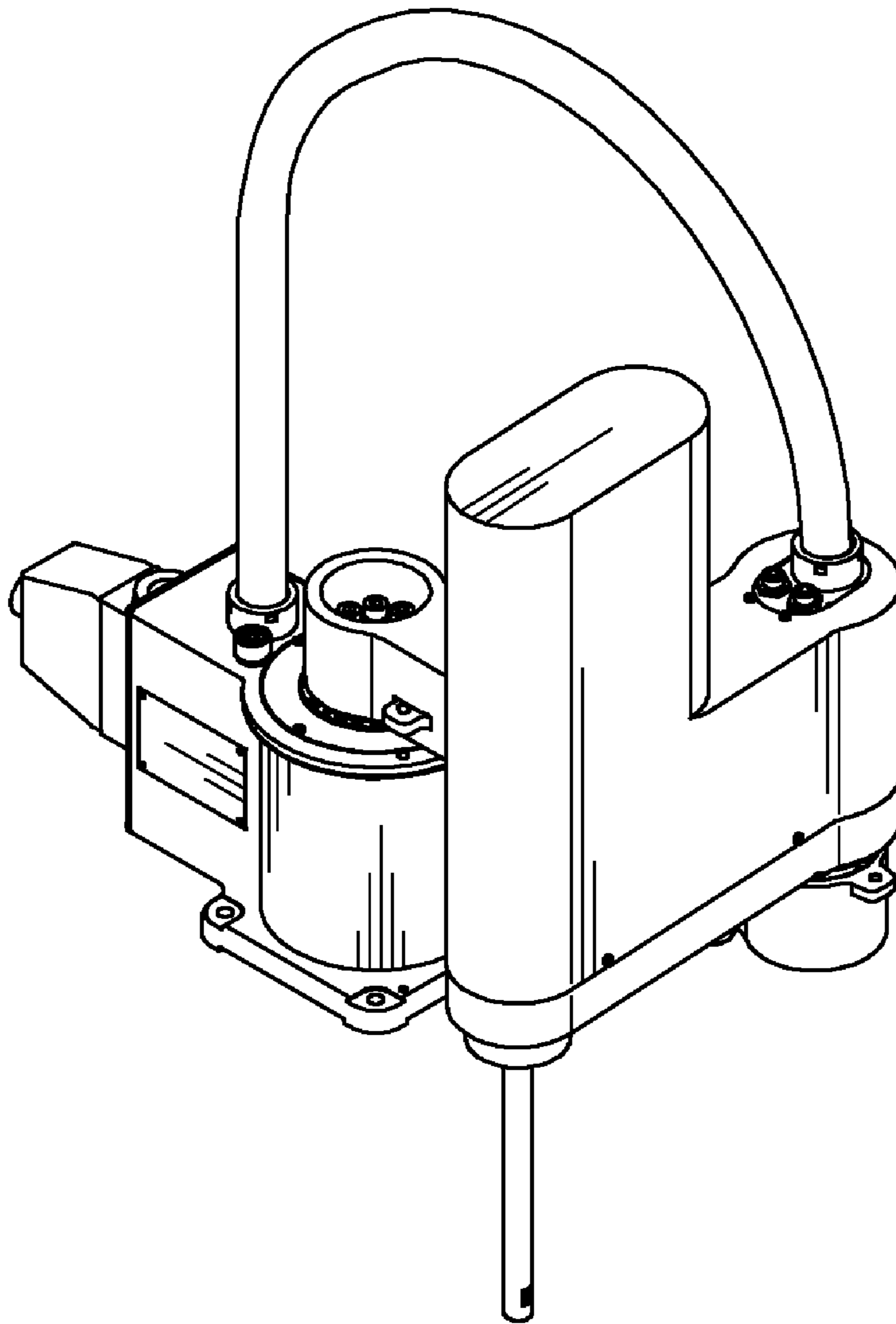


FIG. 8

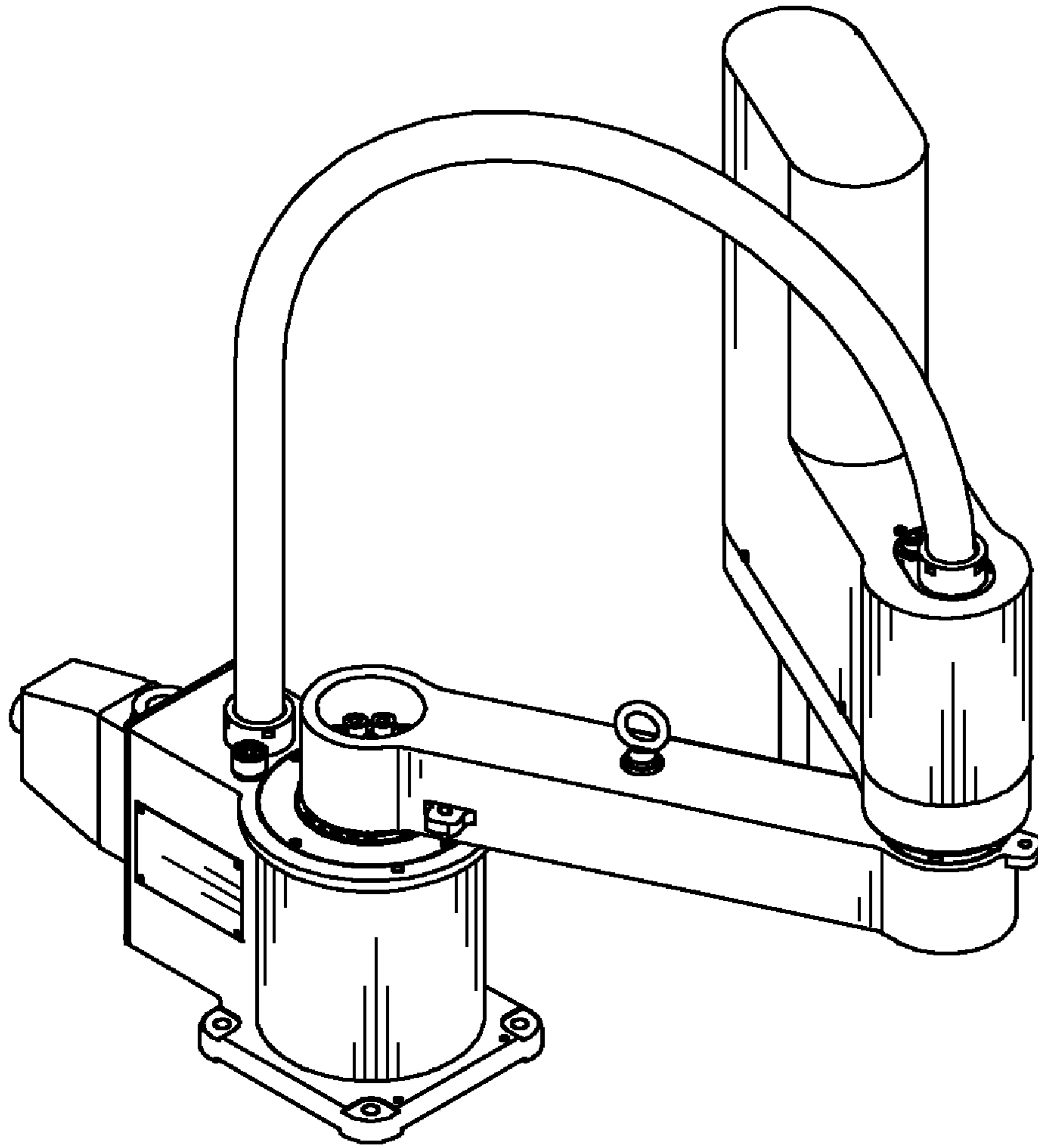


FIG. 9