



US00D625345S

(12) **United States Design Patent**
Bare et al.

(10) **Patent No.:** **US D625,345 S**

(45) **Date of Patent:** **** Oct. 12, 2010**

(54) **MIXING CARTRIDGE**

D436,836 S * 1/2001 Erwin D8/354

* cited by examiner

(75) Inventors: **Rex O. Bare**, Lake Forest, CA (US);
Jeffrey C. Smith, Costa Mesa, CA (US)

Primary Examiner—Sandra Snapp

Assistant Examiner—Patricia Palasik

(73) Assignee: **Ibis Biosciences, Inc.**, Carlsbad, CA
(US)

(74) *Attorney, Agent, or Firm*—Casimir Jones S.C.

(**) Term: **14 Years**

(57) **CLAIM**

(21) Appl. No.: **29/328,151**

The ornamental design for a mixing cartridge, as shown and described.

(22) Filed: **Nov. 19, 2008**

DESCRIPTION

(51) **LOC (9) Cl.** **15-09**

FIG. 1 is a top perspective view showing our new design;

(52) **U.S. Cl.** **D15/138**

FIG. 2 is a left side elevational view thereof;

(58) **Field of Classification Search** D15/135,

FIG. 3 is a top plan view thereof;

D15/136, 138; 76/107.1; 250/281, 282,

FIG. 4 is a bottom plan view thereof;

250/285, 287, 288, 290–292; 407/29.1

FIG. 5 is a rear elevational view thereof; and,

See application file for complete search history.

FIG. 6 is a front elevational view thereof.

(56) **References Cited**

The broken lines in the drawings depict unclaimed environmental subject matter.

U.S. PATENT DOCUMENTS

D332,088 S * 12/1992 Nimpoeno et al. D13/184

1 Claim, 3 Drawing Sheets

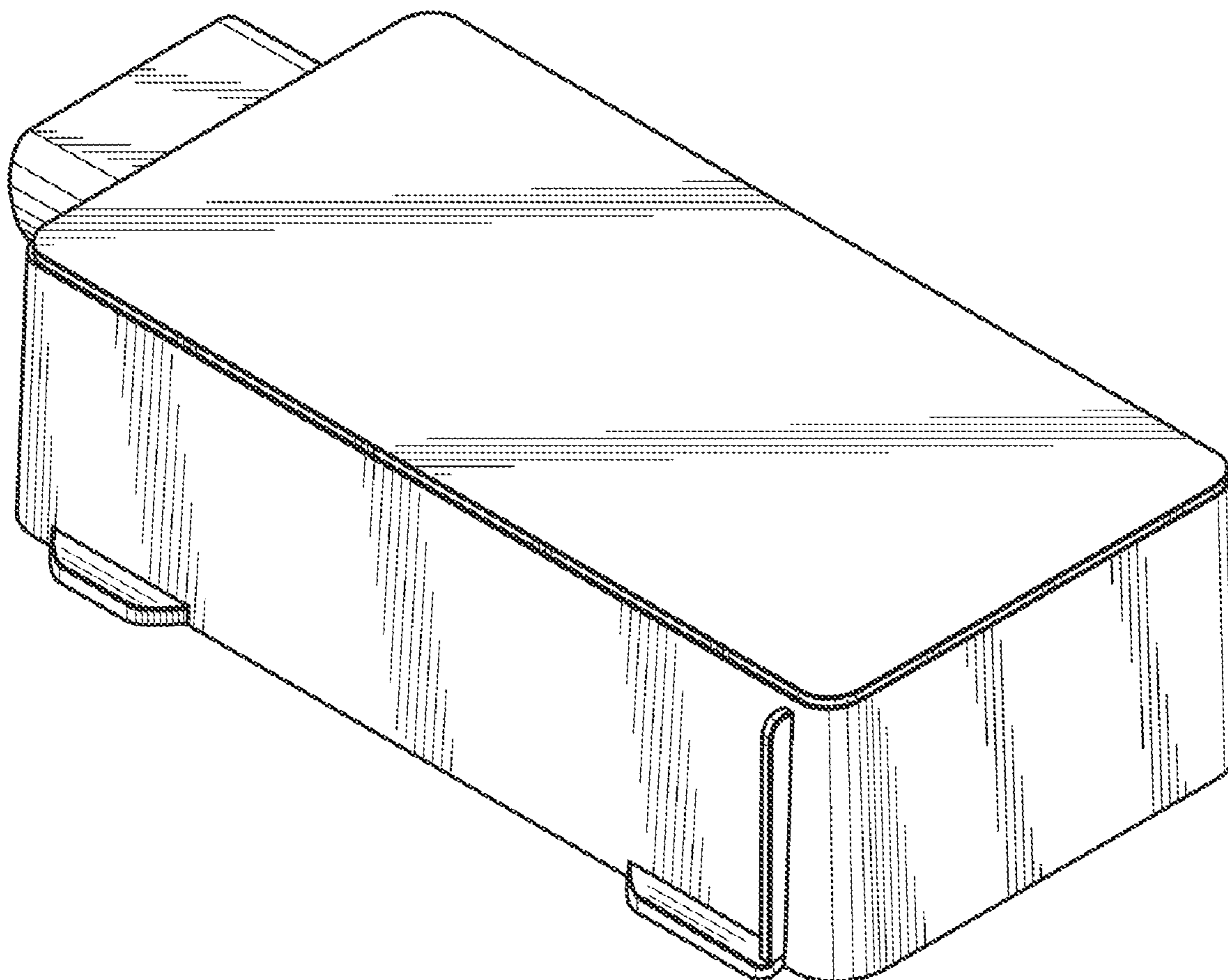


Fig. 1

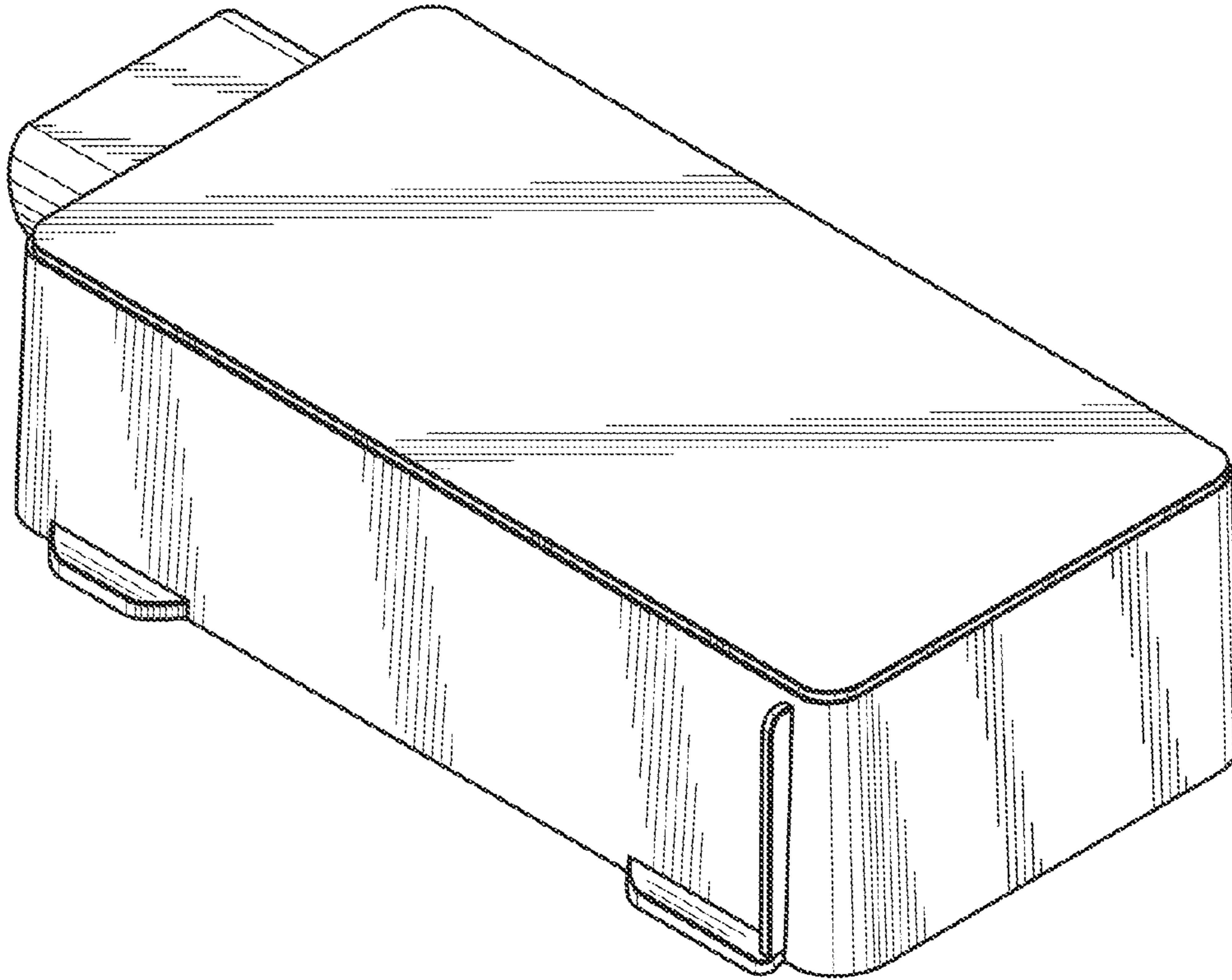


Fig. 2

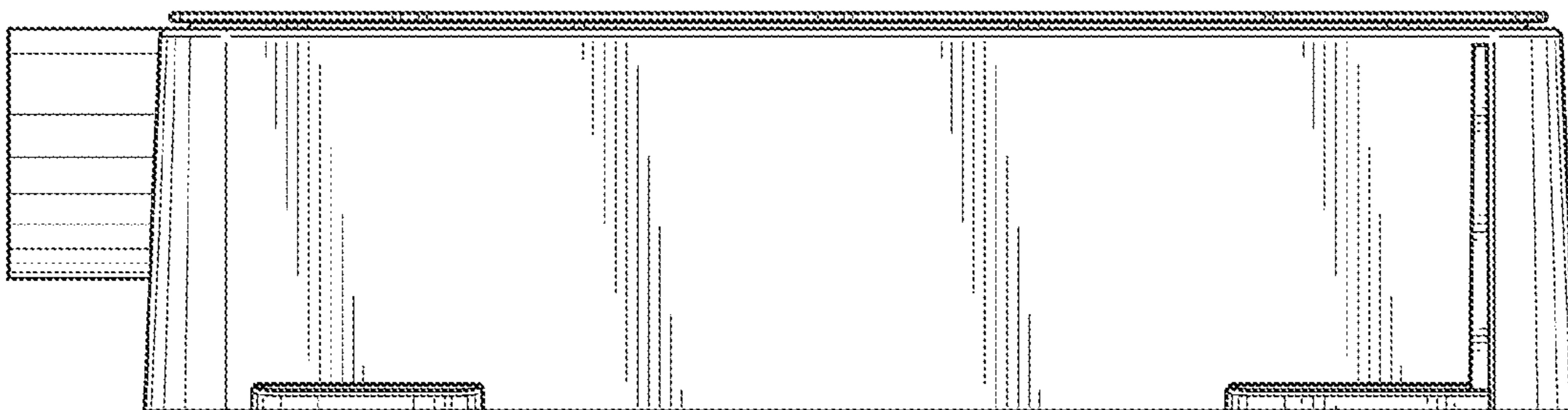


Fig. 3

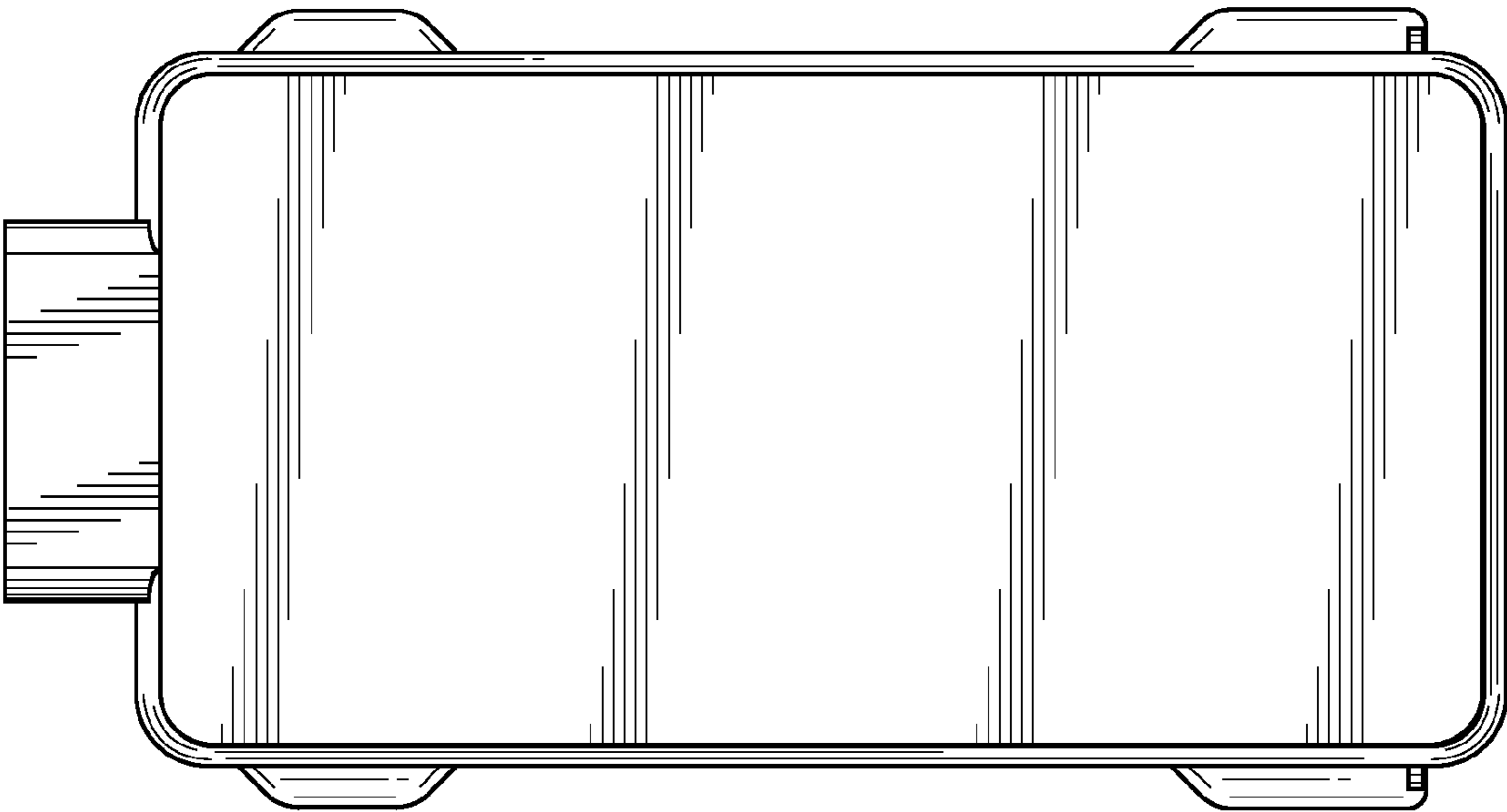


Fig. 4

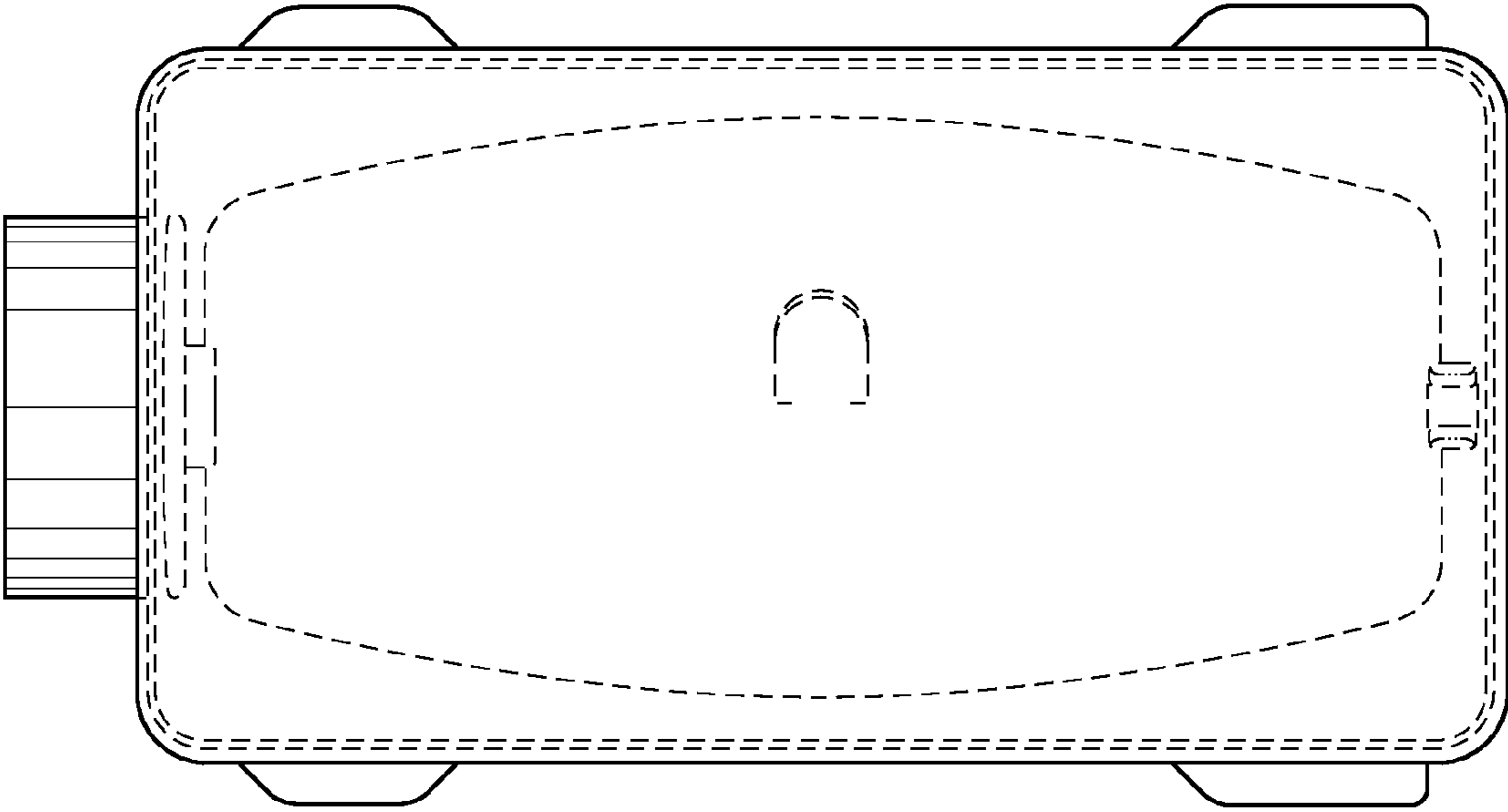


Fig. 5

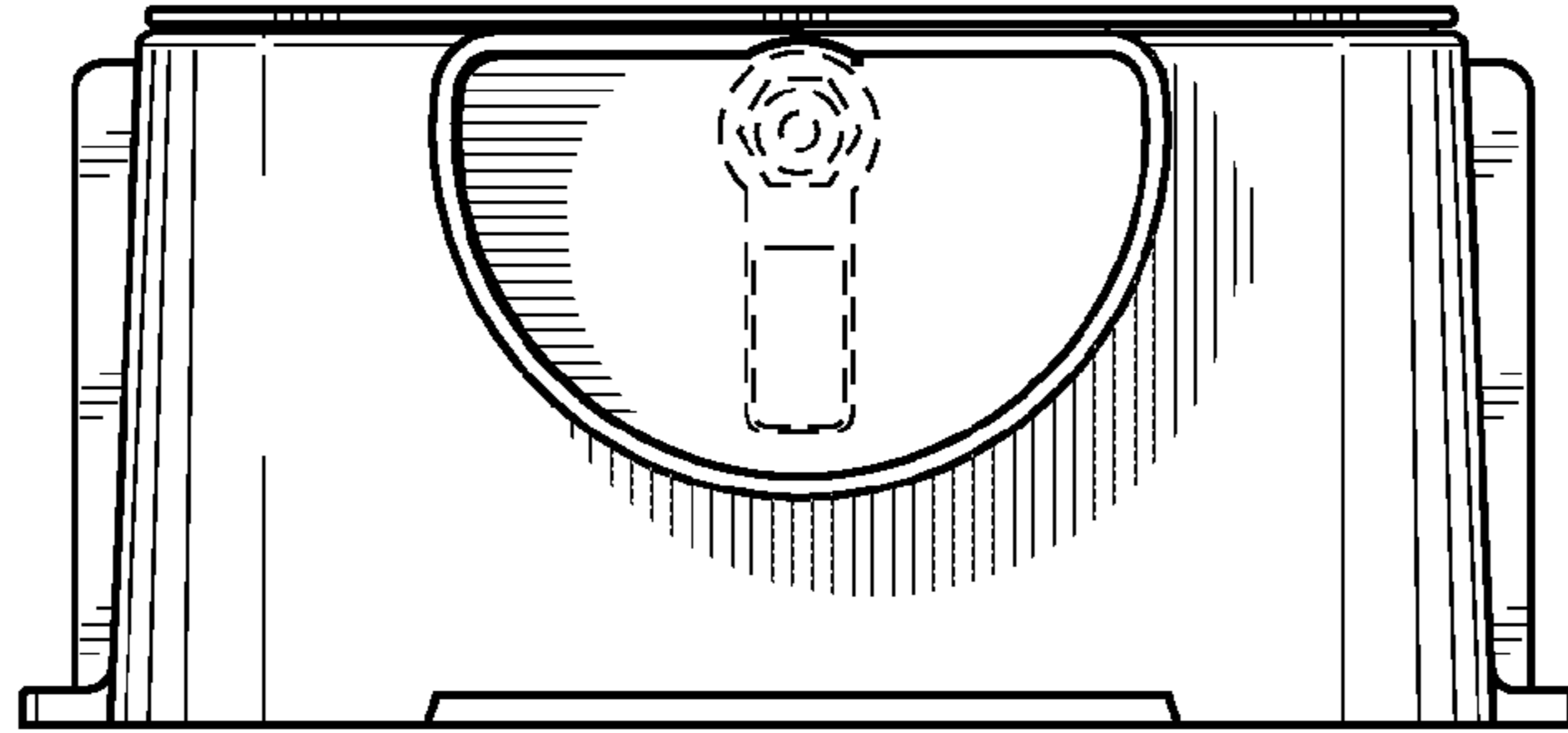


Fig. 6

