



US00D625340S

(12) **United States Design Patent**
Kovach et al.

(10) **Patent No.:** **US D625,340 S**
(45) **Date of Patent:** **** Oct. 12, 2010**

(54) **ROW UNIT SOIL FINISHING APPARATUS**

(75) Inventors: **Michael George Kovach**, Morton, IL
(US); **James L Tetrick**, Washington, IL
(US); **Gregory Scott Smart**, Bettendorf,
IA (US); **Scott Gregory Ireland**,
Washburn, IL (US)

(73) Assignee: **CNH America LLC**, New Holland, PA
(US)

(**) Term: **14 Years**

(21) Appl. No.: **29/354,356**

(22) Filed: **Jan. 22, 2010**

(51) **LOC (9) Cl.** **15-03**

(52) **U.S. Cl.** **D15/11; D15/27; D15/28**

(58) **Field of Classification Search** D15/11,
D15/27, 28; 172/328, 413, 176, 464, 500,
172/501, 677-680, 264, 748, 1, 570, 196,
172/139, 140, 144, 165, 174; 111/149, 150,
111/190, 194, 187, 924, 123, 52-57, 136,
111/151, 156, 8, 153, 200, 152

See application file for complete search history.

(56) **References Cited**

U.S. PATENT DOCUMENTS

4,721,048	A *	1/1988	Fuss et al.	111/156
4,723,495	A *	2/1988	Dietrich et al.	111/123
5,025,736	A *	6/1991	Anderson	111/152
5,080,178	A *	1/1992	Dietrich, Sr.	172/153
5,333,694	A *	8/1994	Roggenbuck et al.	172/156
5,562,054	A *	10/1996	Ryan	111/134
5,573,072	A *	11/1996	Evans et al.	172/744
5,623,997	A *	4/1997	Rawson et al.	172/156
5,906,166	A *	5/1999	Wagner	111/170
6,012,534	A *	1/2000	Kovach et al.	172/196
6,119,608	A *	9/2000	Peterson et al.	111/192
6,142,085	A *	11/2000	Drever et al.	111/151
6,325,156	B1 *	12/2001	Barry	172/518

6,502,644	B2 *	1/2003	Steinlage et al.	172/196
6,681,868	B2 *	1/2004	Kovach et al.	172/701
6,761,120	B2 *	7/2004	Kovach et al.	111/140
6,871,709	B2 *	3/2005	Knobloch et al.	172/145
6,880,644	B2 *	4/2005	Weast et al.	172/196
7,156,186	B2 *	1/2007	Knobloch et al.	172/701
7,159,523	B2 *	1/2007	Bourgault et al.	111/187
7,412,933	B2 *	8/2008	Bourgault et al.	111/156
D598,936	S *	8/2009	Hall et al.	D15/11
2004/0226727	A1 *	11/2004	Weast et al.	172/684.5
2005/0045080	A1 *	3/2005	Halford et al.	111/118
2007/0245938	A1 *	10/2007	Bourgault et al.	111/156
2008/0029002	A1 *	2/2008	Sulman	111/89
2008/0308023	A1 *	12/2008	Ryder et al.	111/8
2008/0308024	A1 *	12/2008	Lung et al.	111/149
2010/0059238	A1 *	3/2010	Kovach et al.	172/1

* cited by examiner

Primary Examiner—Mark A. Goodwin

(74) *Attorney, Agent, or Firm*—Rebecca Henkel

(57) **CLAIM**

We claim the ornamental design for a row unit soil finishing apparatus, as shown and described.

DESCRIPTION

FIG. 1 is an left hand isometric view of the rear of the row unit soil finishing apparatus showing our new design,

FIG. 2 is a left hand side view thereof;

FIG. 3 is a front view thereof;

FIG. 4 is a top view thereof;

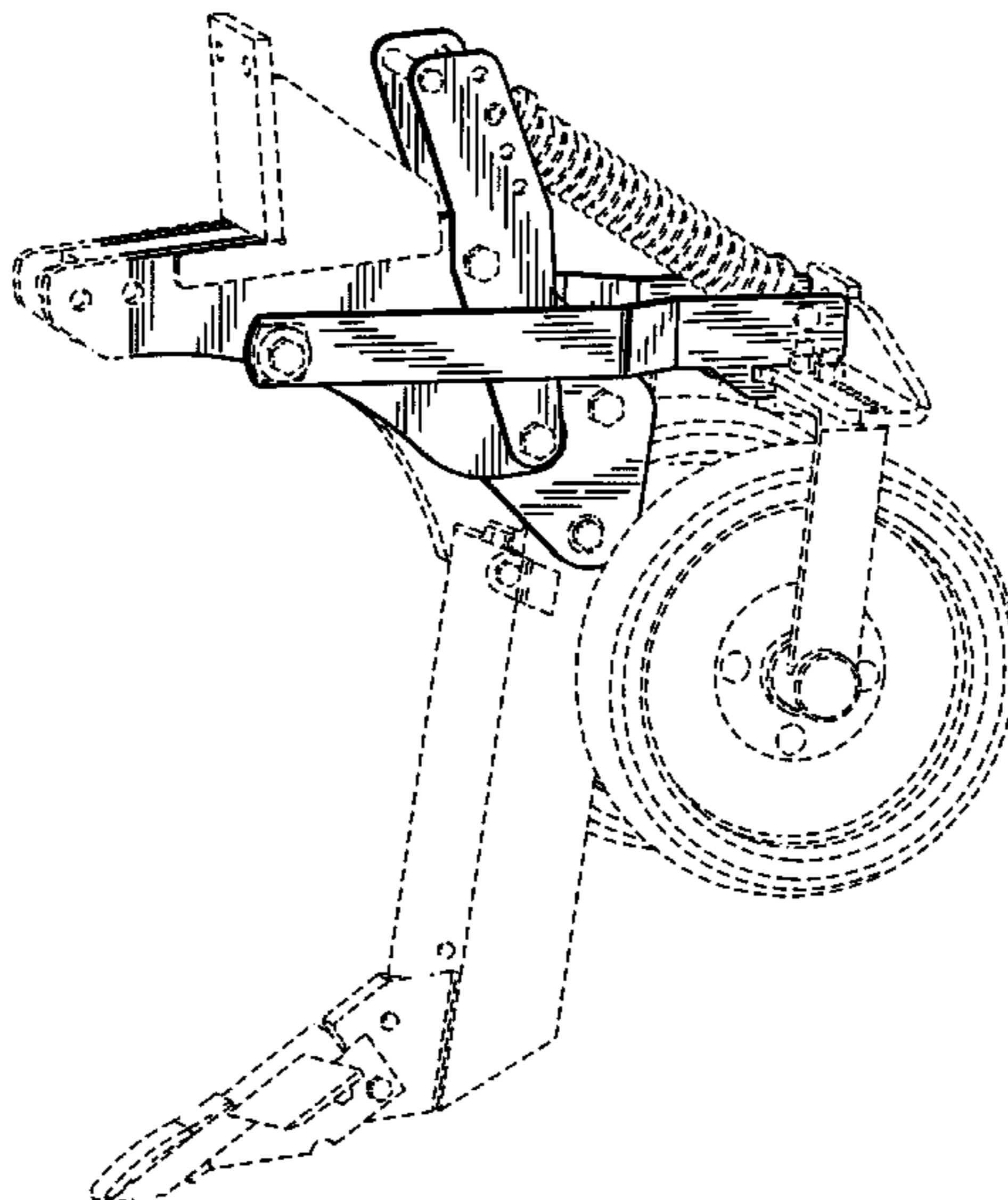
FIG. 5 is a bottom view thereof;

FIG. 6 is a right hand side view thereof; and,

FIG. 7 is a rear view thereof.

The broken line showing in FIGS. 1-7 is included for the purpose of illustrating portions of the row unit soil finishing apparatus and forms no part of the claimed design.

1 Claim, 6 Drawing Sheets



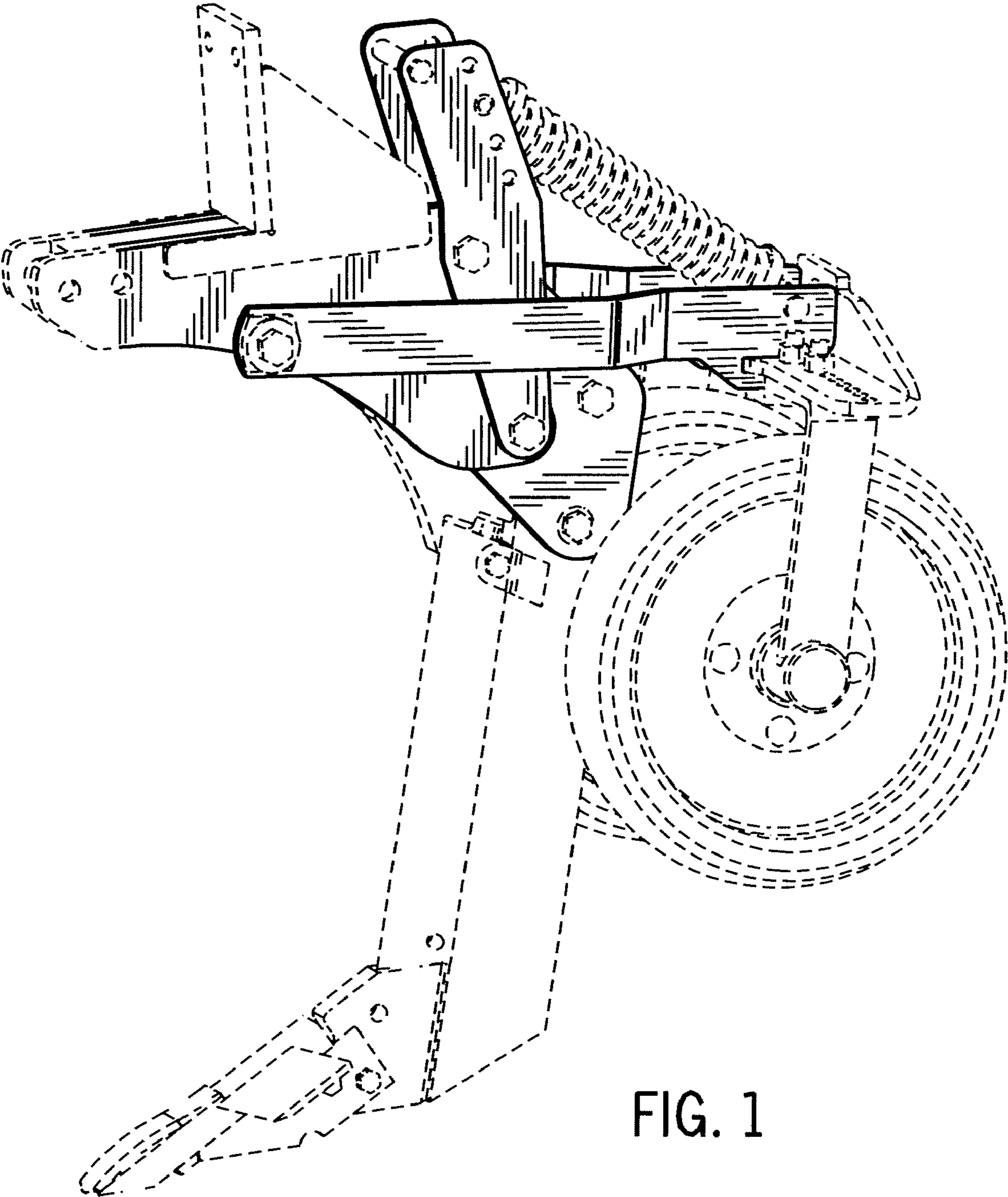


FIG. 1

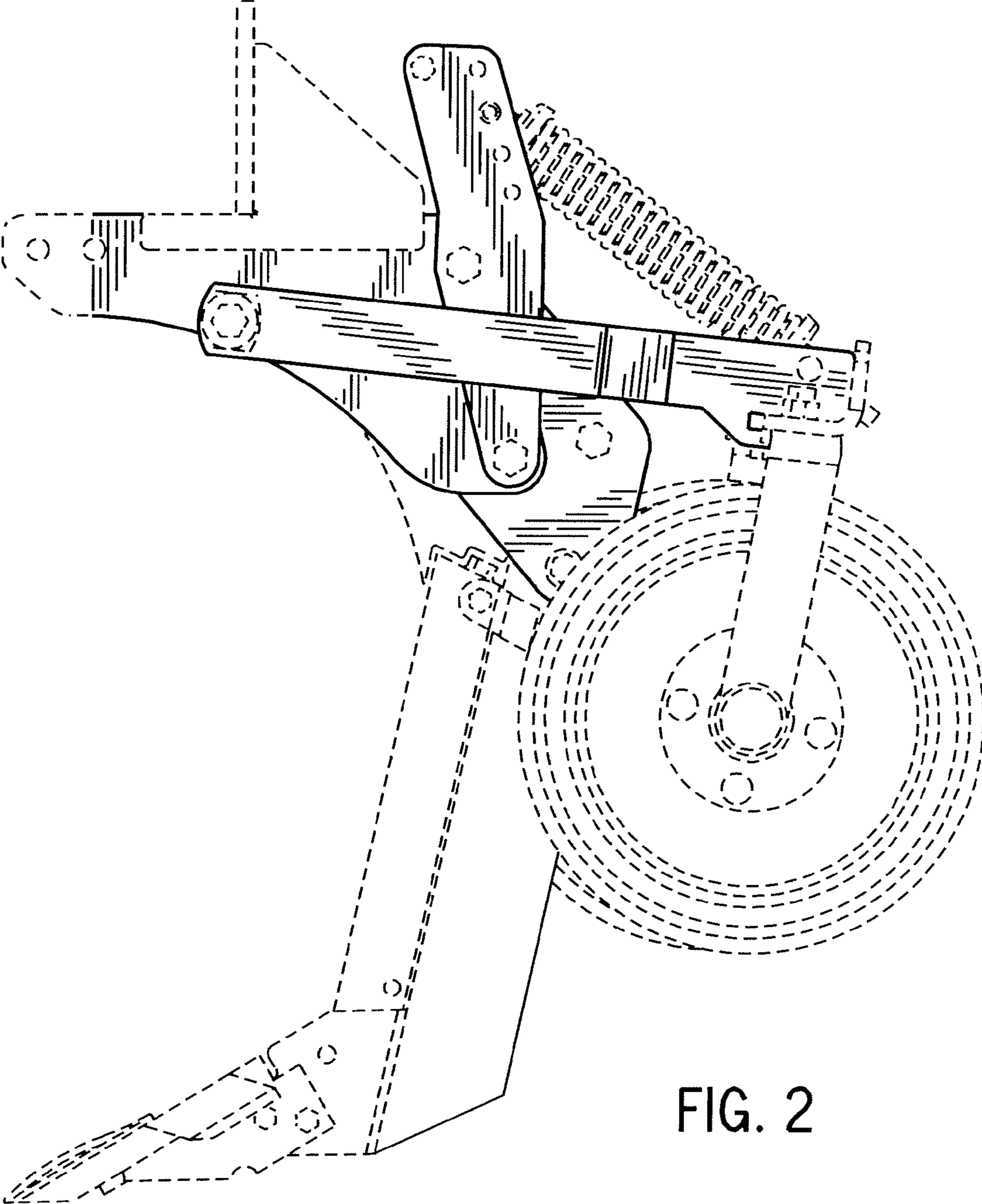


FIG. 2

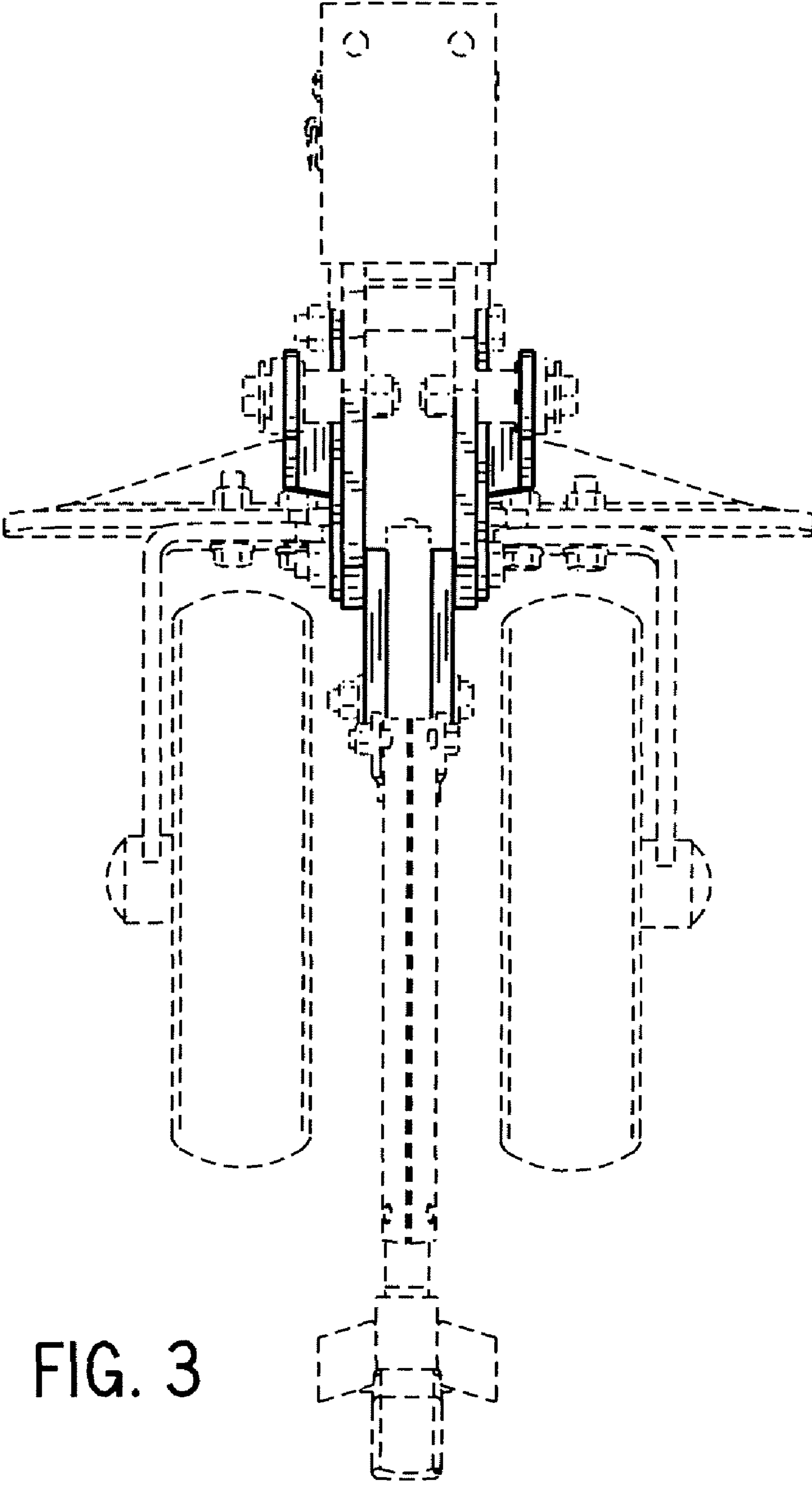


FIG. 3

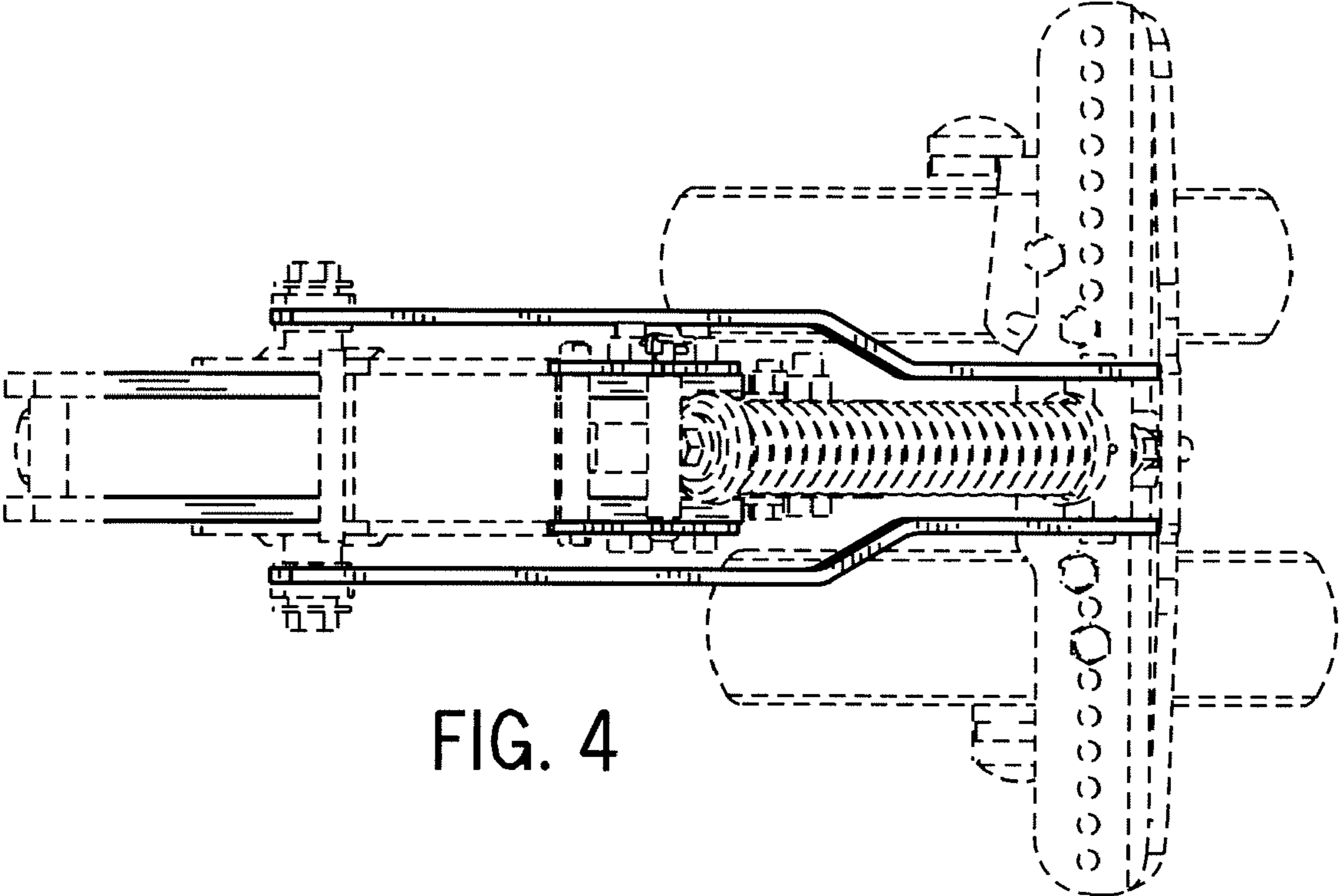


FIG. 4

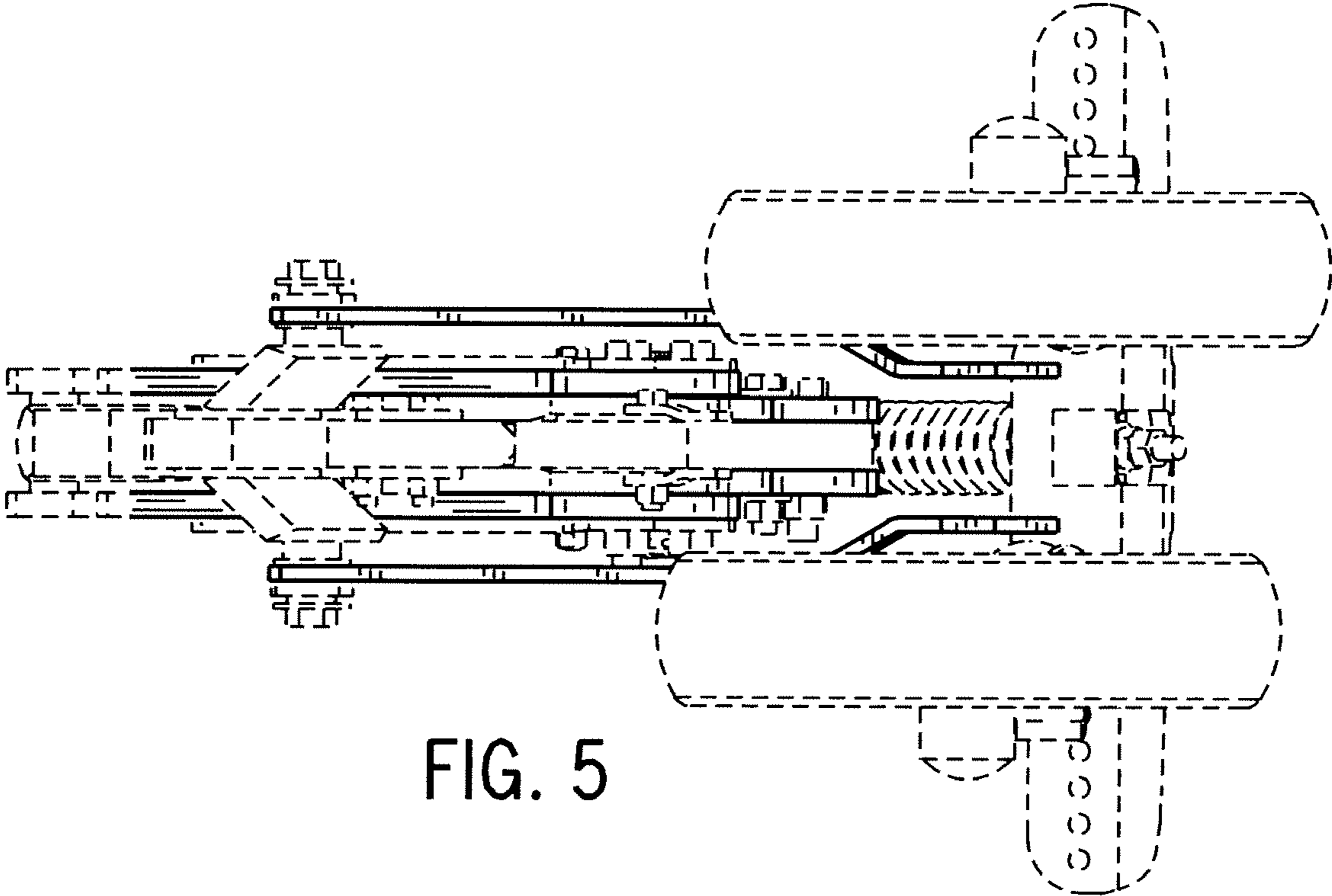


FIG. 5

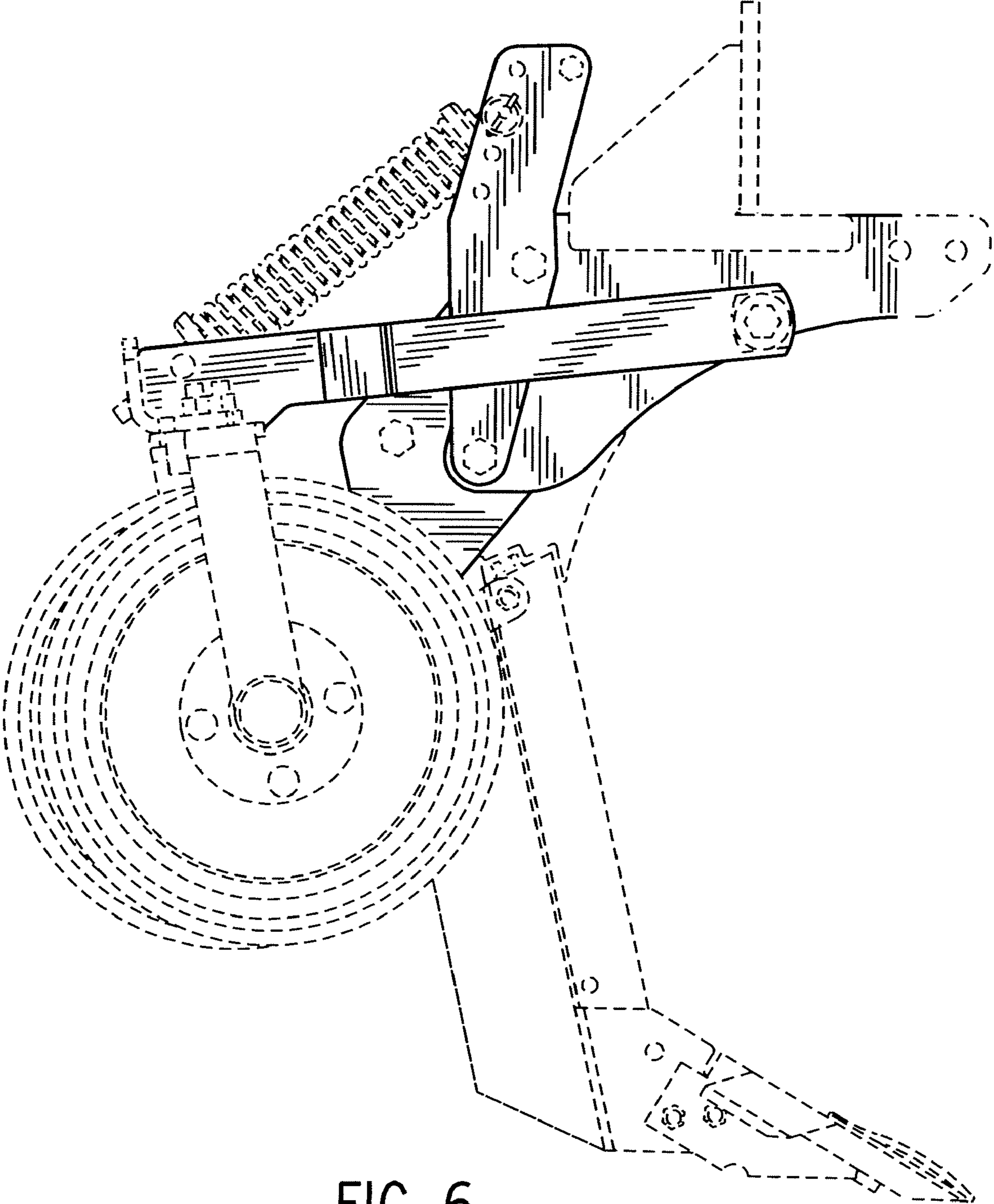


FIG. 6

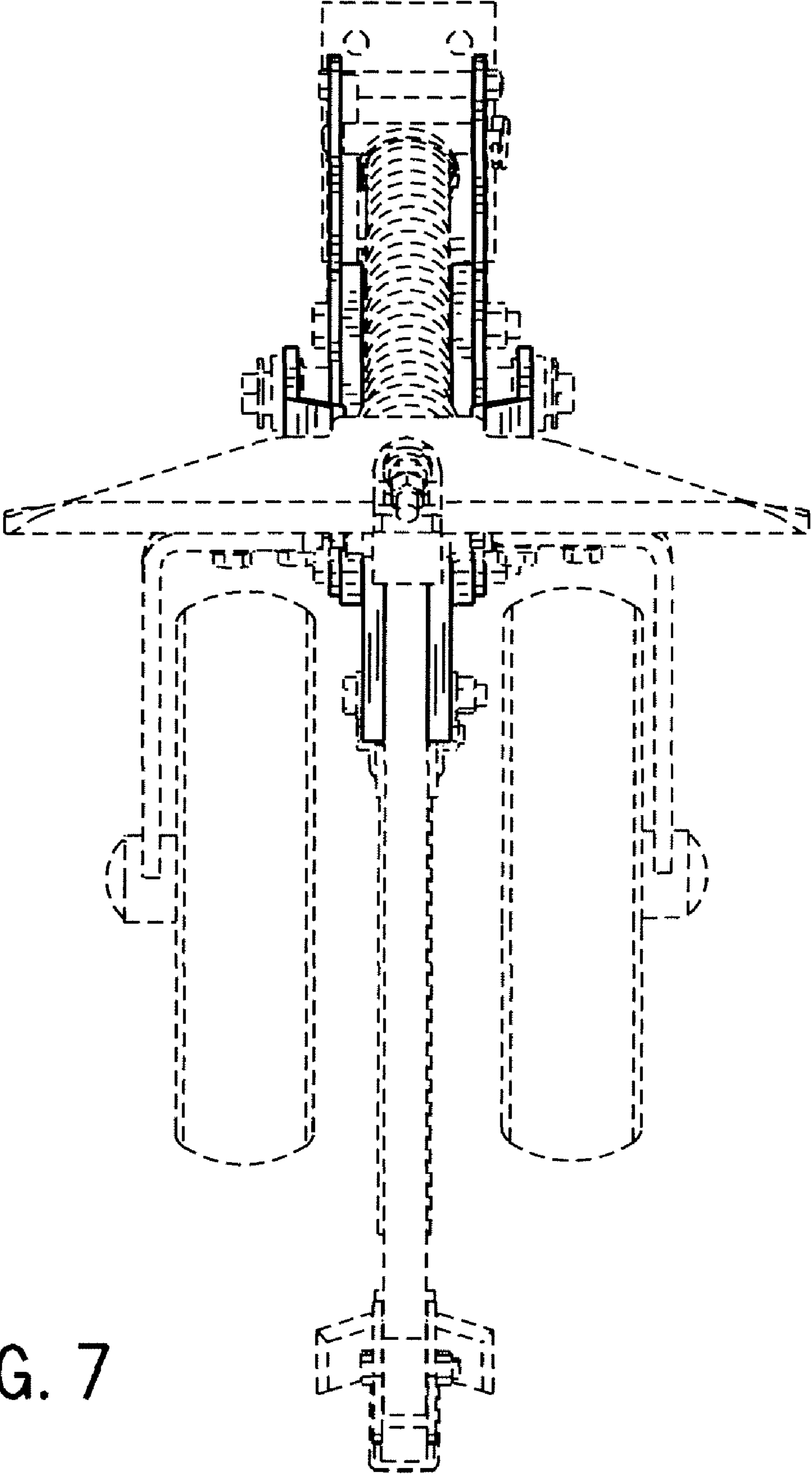


FIG. 7