



US00D625339S

(12) **United States Design Patent**  
**Monk**

(10) **Patent No.:** **US D625,339 S**

(45) **Date of Patent:** **\*\* Oct. 12, 2010**

(54) **PLOW**

(75) Inventor: **Gavan Monk**, Swan Hill (AU)

(73) Assignee: **Oregon House Pty Ltd.**, Swan Hill (AU)

(\*\*) Term: **14 Years**

(21) Appl. No.: **29/269,552**

(22) Filed: **Dec. 4, 2006**

(30) **Foreign Application Priority Data**

Jun. 2, 2006 (AU) ..... 309296

(51) **LOC (9) Cl.** ..... **15-03**

(52) **U.S. Cl.** ..... **D15/11; D15/27**

(58) **Field of Classification Search** ..... D15/10,  
D15/11, 17, 21, 27, 28, 33; 172/799.5, 599,  
172/614, 617, 618, 699, 776, 311, 328, 413  
See application file for complete search history.

(56) **References Cited**

**U.S. PATENT DOCUMENTS**

2,320,742	A *	6/1943	Newkirk	.....	172/328
2,805,534	A *	9/1957	Robertson	.....	172/558
3,727,697	A *	4/1973	Wilbeck	.....	172/313
3,830,313	A *	8/1974	Fragar et al.	.....	172/581
4,113,028	A *	9/1978	Glueck	.....	172/178
D251,562	S *	4/1979	Hansen	.....	D15/33
4,271,912	A *	6/1981	Frye	.....	172/441
4,279,311	A *	7/1981	Dietrich, Sr.	.....	172/509
4,300,640	A *	11/1981	Baxter et al.	.....	172/311
D267,320	S *	12/1982	Symonds	.....	D15/11
D281,881	S *	12/1985	Swartzendruber et al.	....	D15/33
4,844,173	A *	7/1989	Swartzendruber et al.	.....	172/1

D306,598	S *	3/1990	Swartzendruber et al.	....	D15/11
5,881,820	A *	3/1999	Baker	.....	172/455
6,557,646	B1 *	5/2003	Hurtis et al.	.....	172/156
6,578,642	B2 *	6/2003	Cox et al.	.....	172/624.5
D490,087	S *	5/2004	Pitonyak et al.	.....	D15/11

\* cited by examiner

*Primary Examiner*—Ian Simmons

*Assistant Examiner*—Mark A Goodwin

(74) *Attorney, Agent, or Firm*—Finnegan, Henderson, Farabow, Garrett and Dunner, L.L.P.

(57) **CLAIM**

The ornamental design for a plow, as shown and described.

**DESCRIPTION**

FIG. 1 is a top plan view of a plow showing my new design in open condition;

FIG. 2 is a right side elevational view thereof;

FIG. 3 is a left side elevational view thereof;

FIG. 4 is the front view thereof;

FIG. 5 is a top plan view of a plow showing my new design in closed condition;

FIG. 6 is a right side elevational view thereof;

FIG. 7 is a left side elevational view thereof;

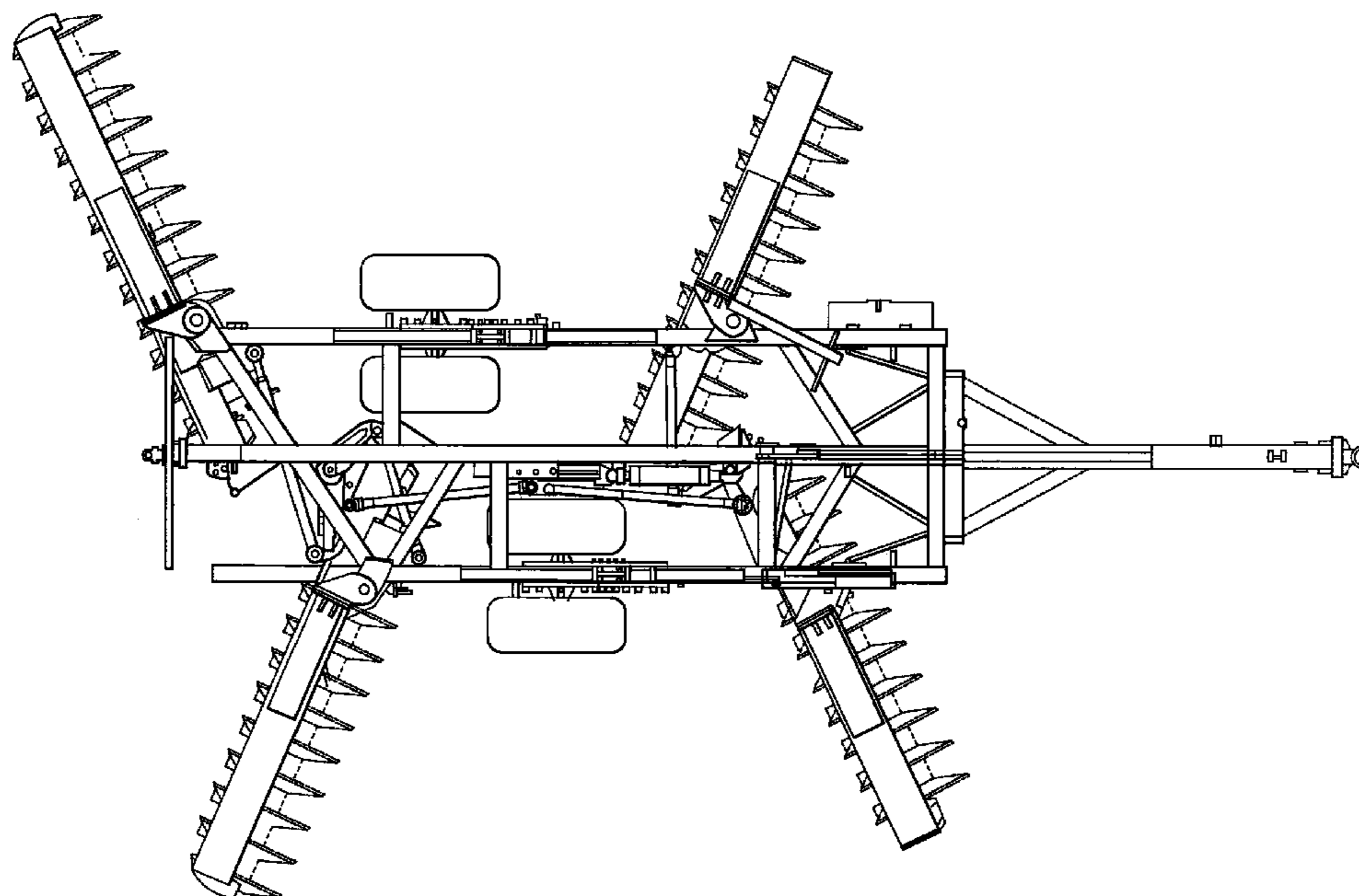
FIG. 8 is an enlarged front view thereof;

FIG. 9 is an enlarged rear view thereof; and,

FIG. 10 is an enlarged rear view of the configuration shown in FIG. 1.

The portions of the design depicted in broken lines form no part of the claimed design.

**1 Claim, 10 Drawing Sheets**



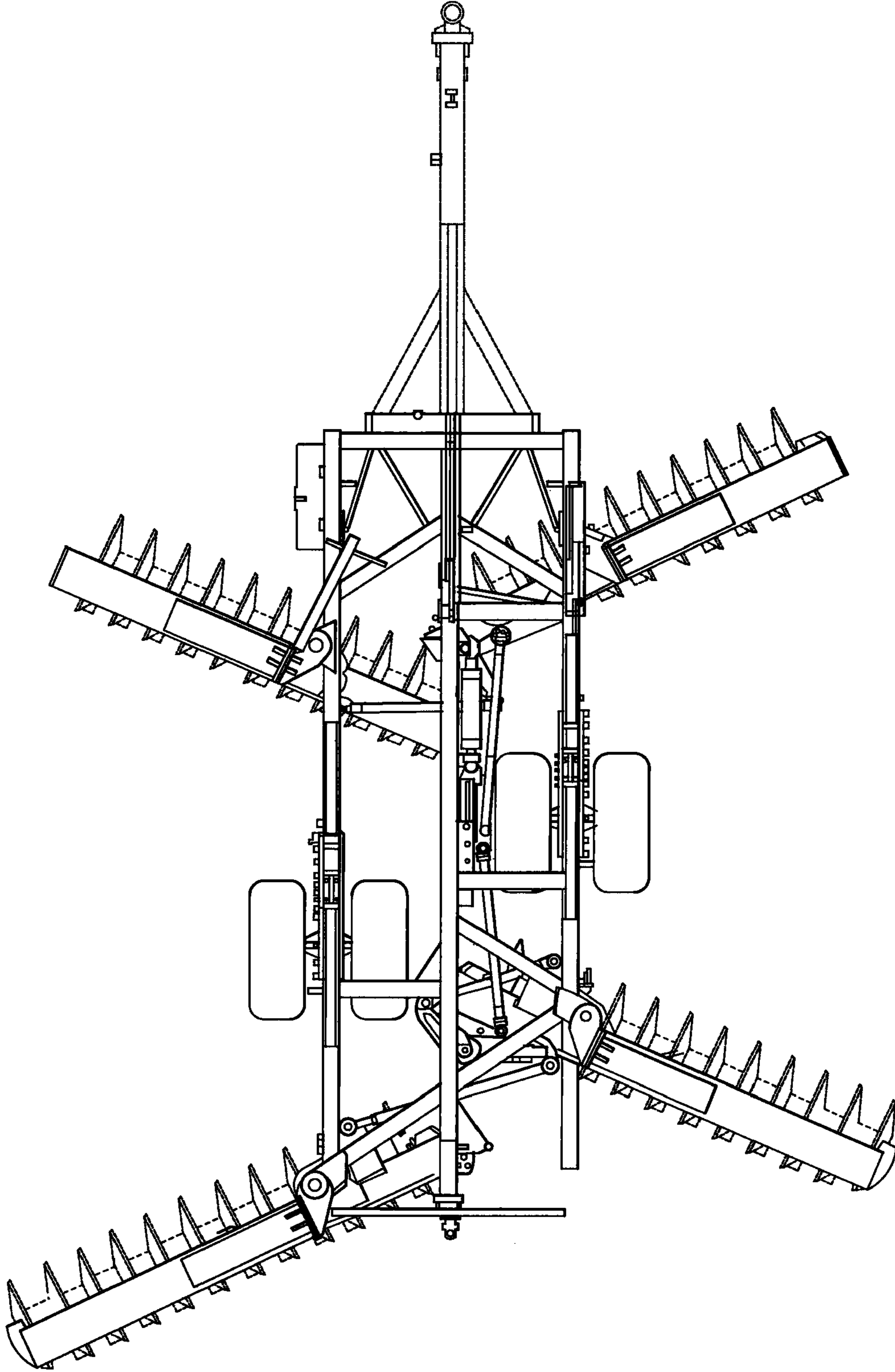


FIG. 1

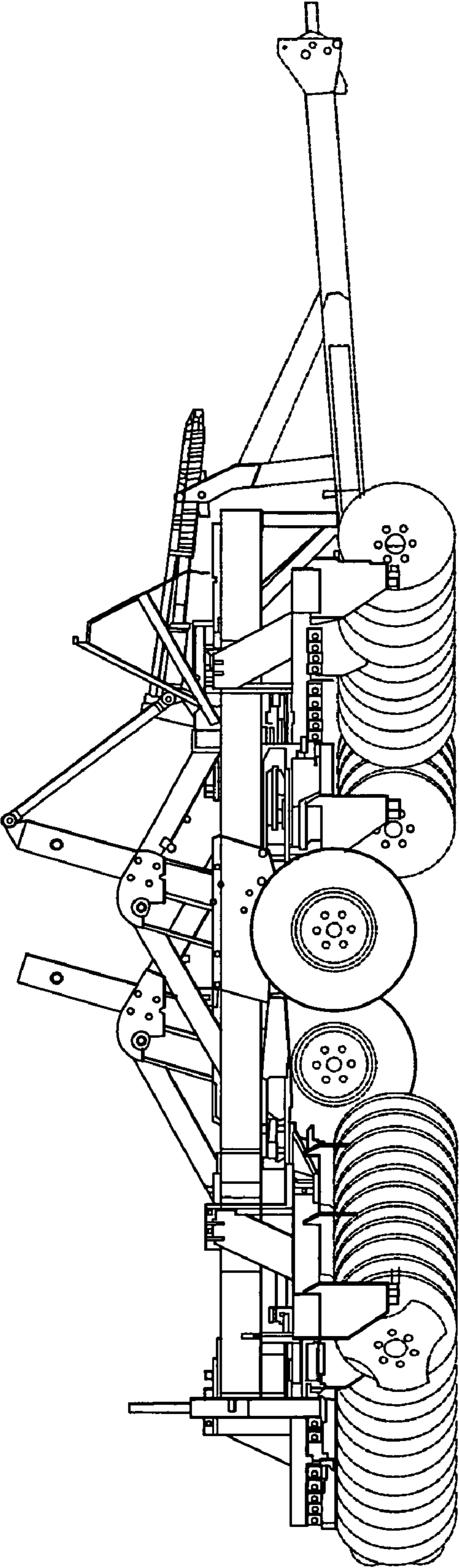


FIG. 2

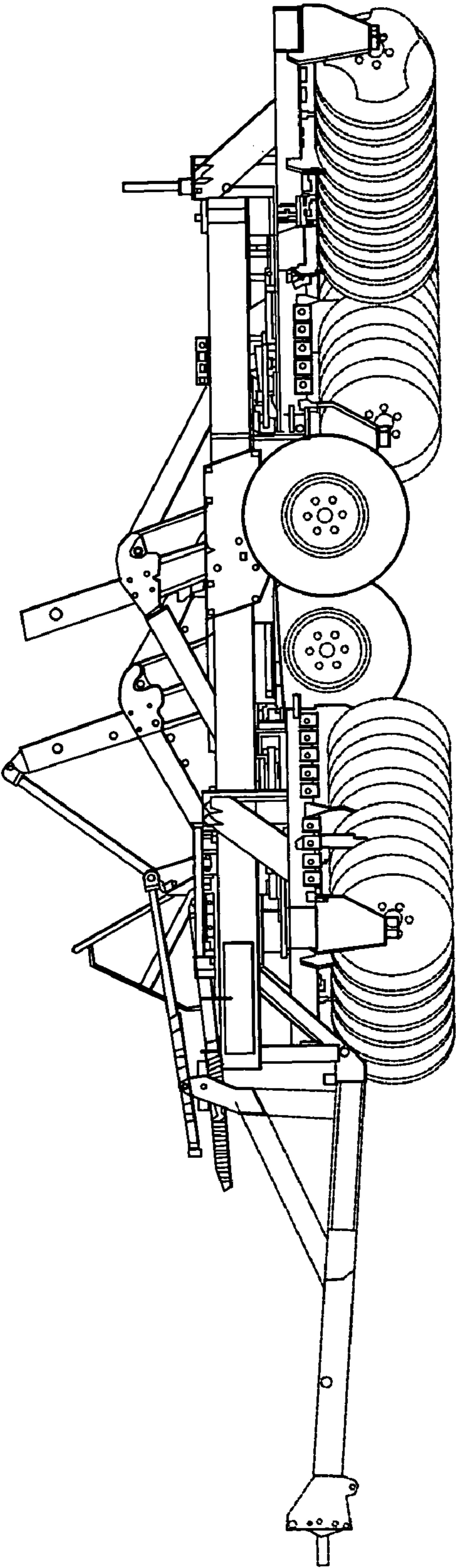


FIG. 3

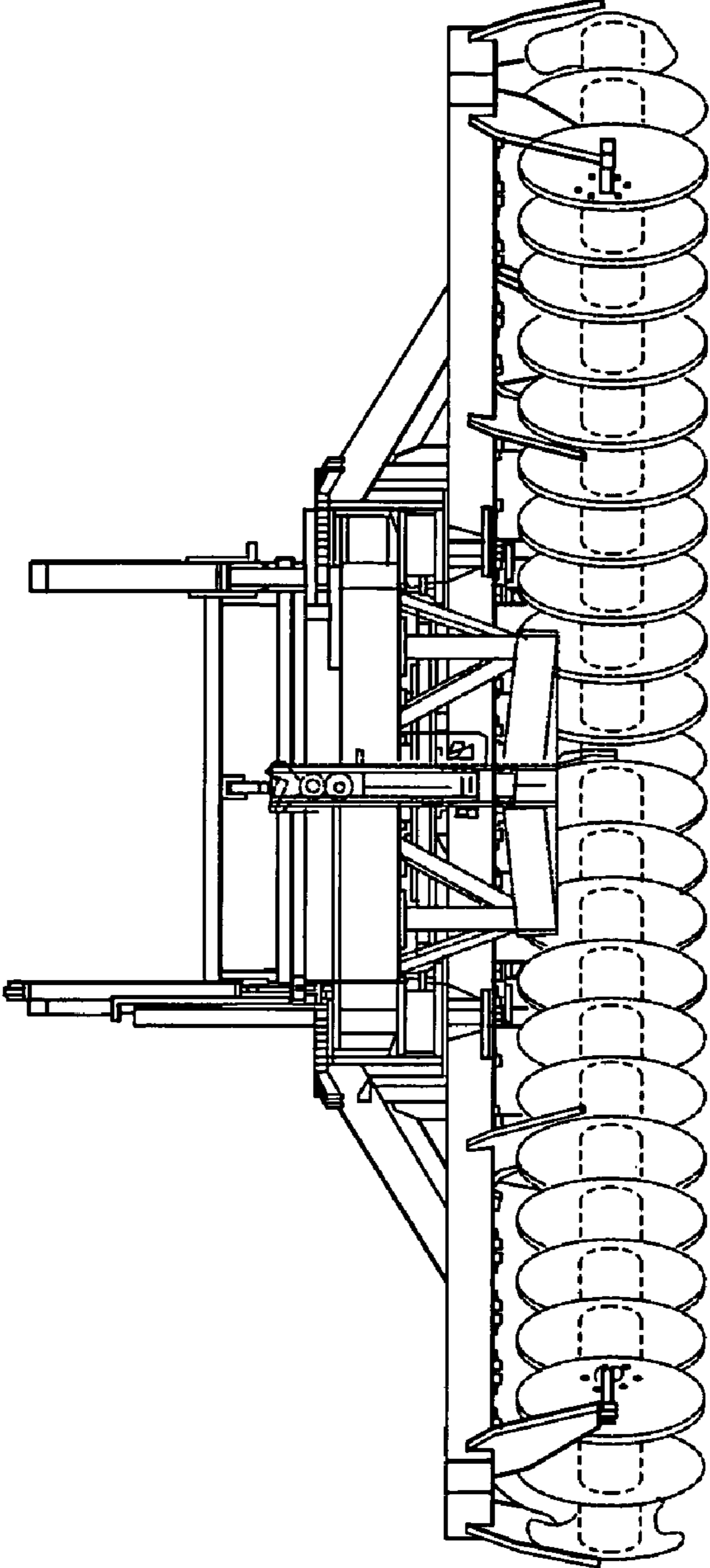


FIG. 4

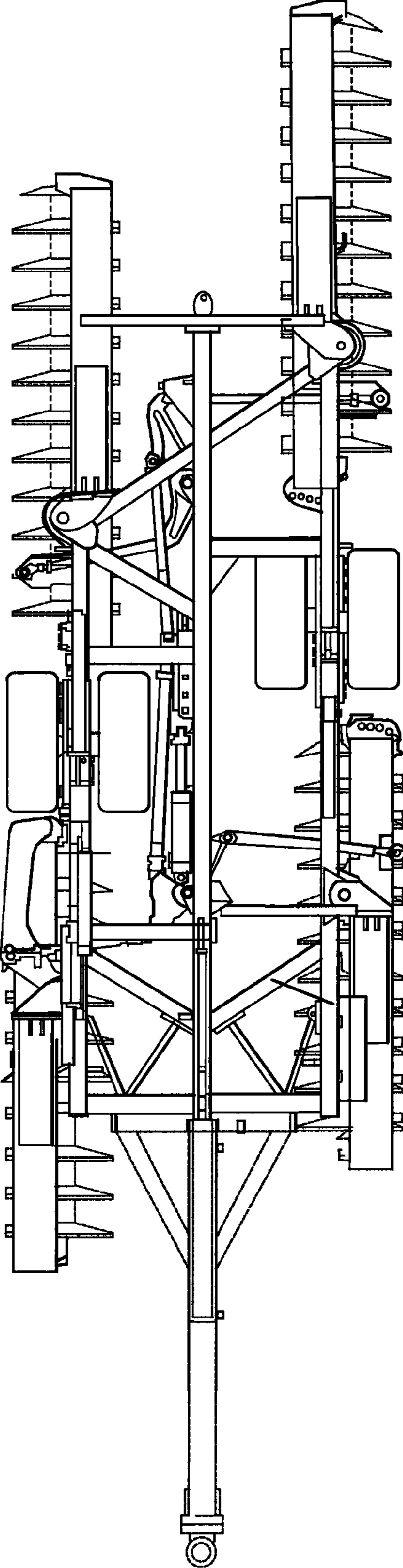


FIG. 5

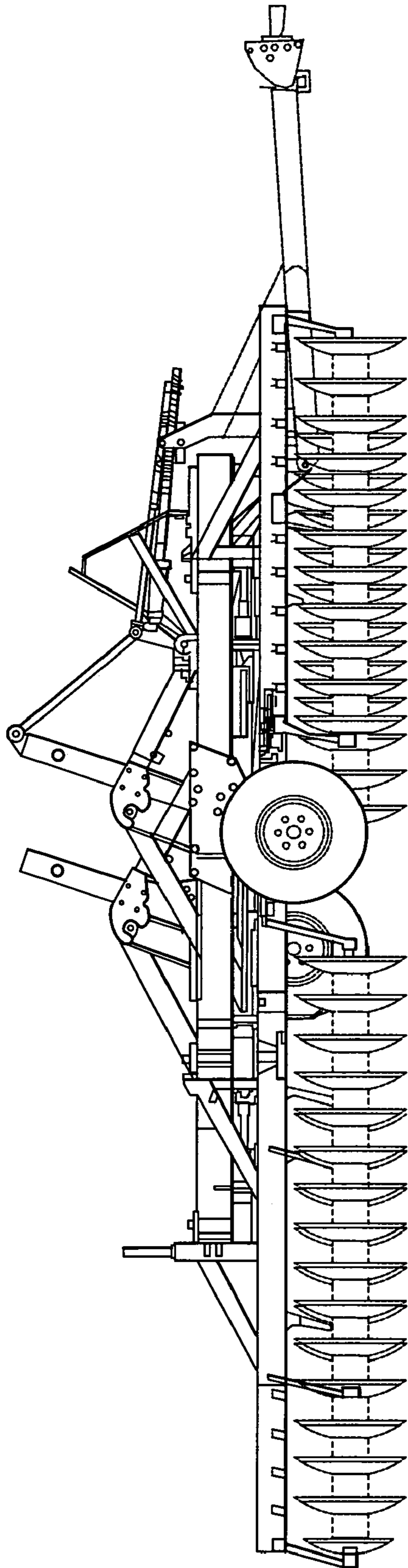


FIG. 6

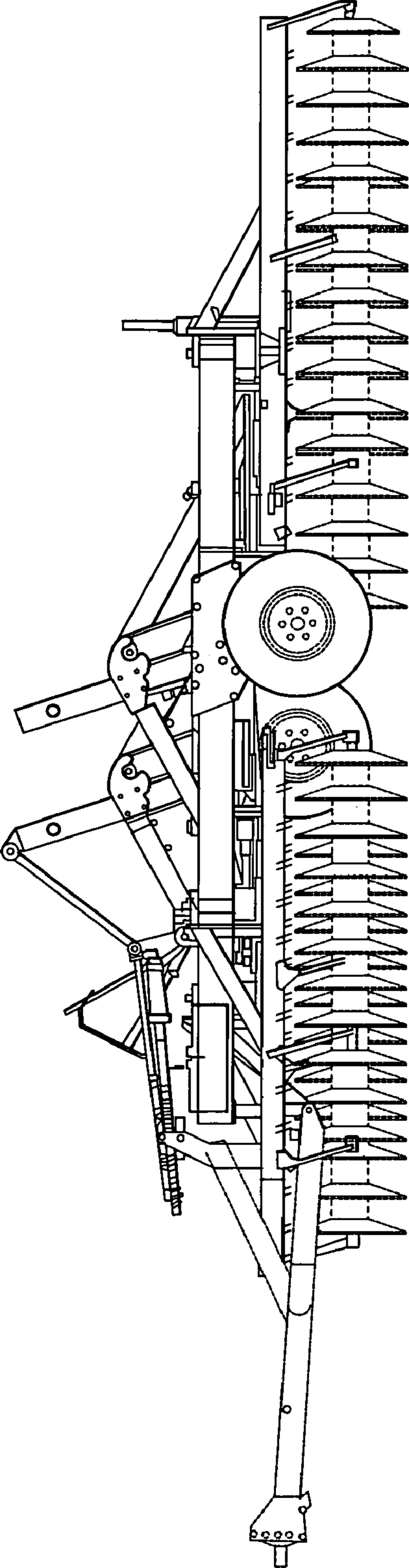
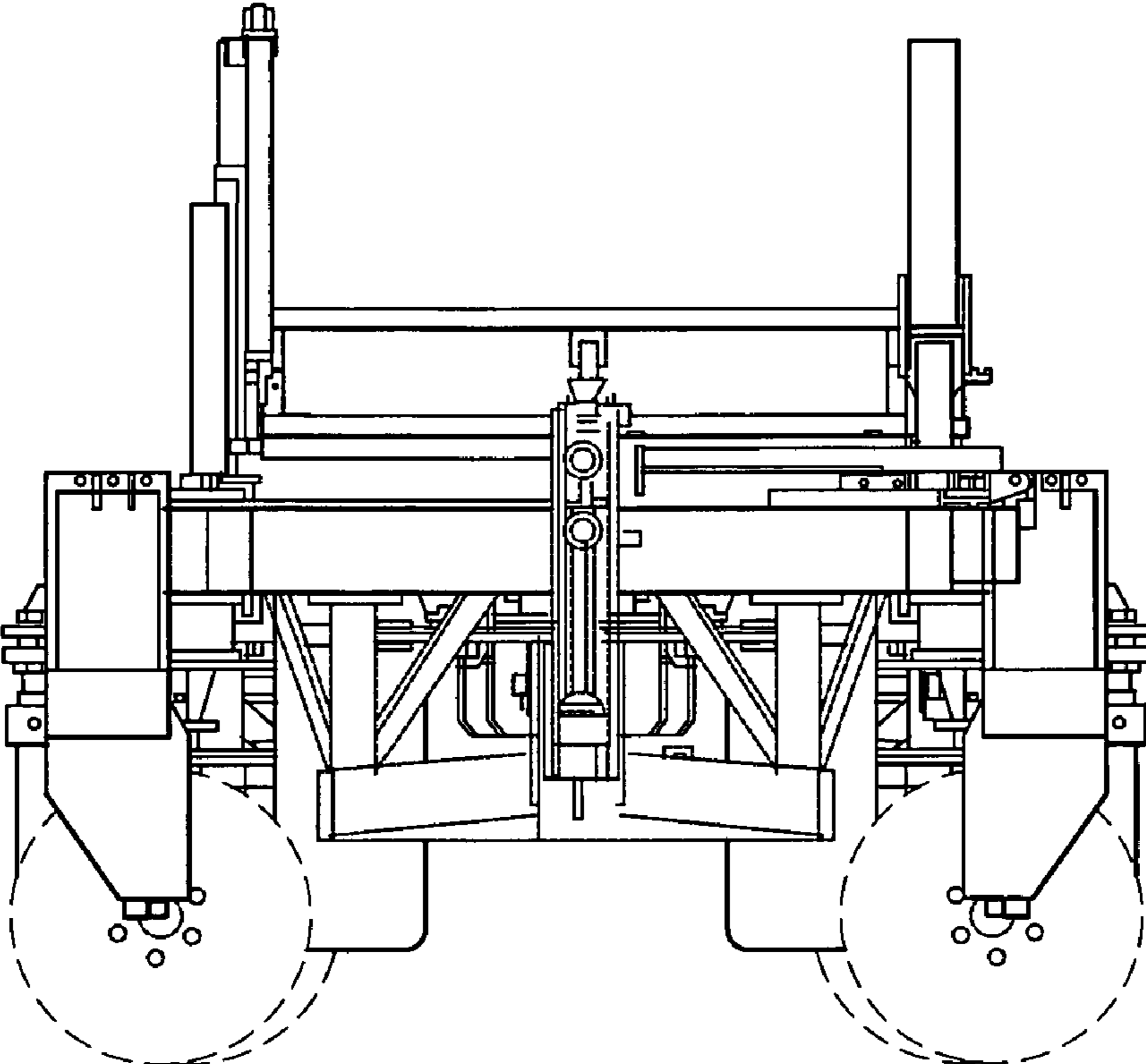
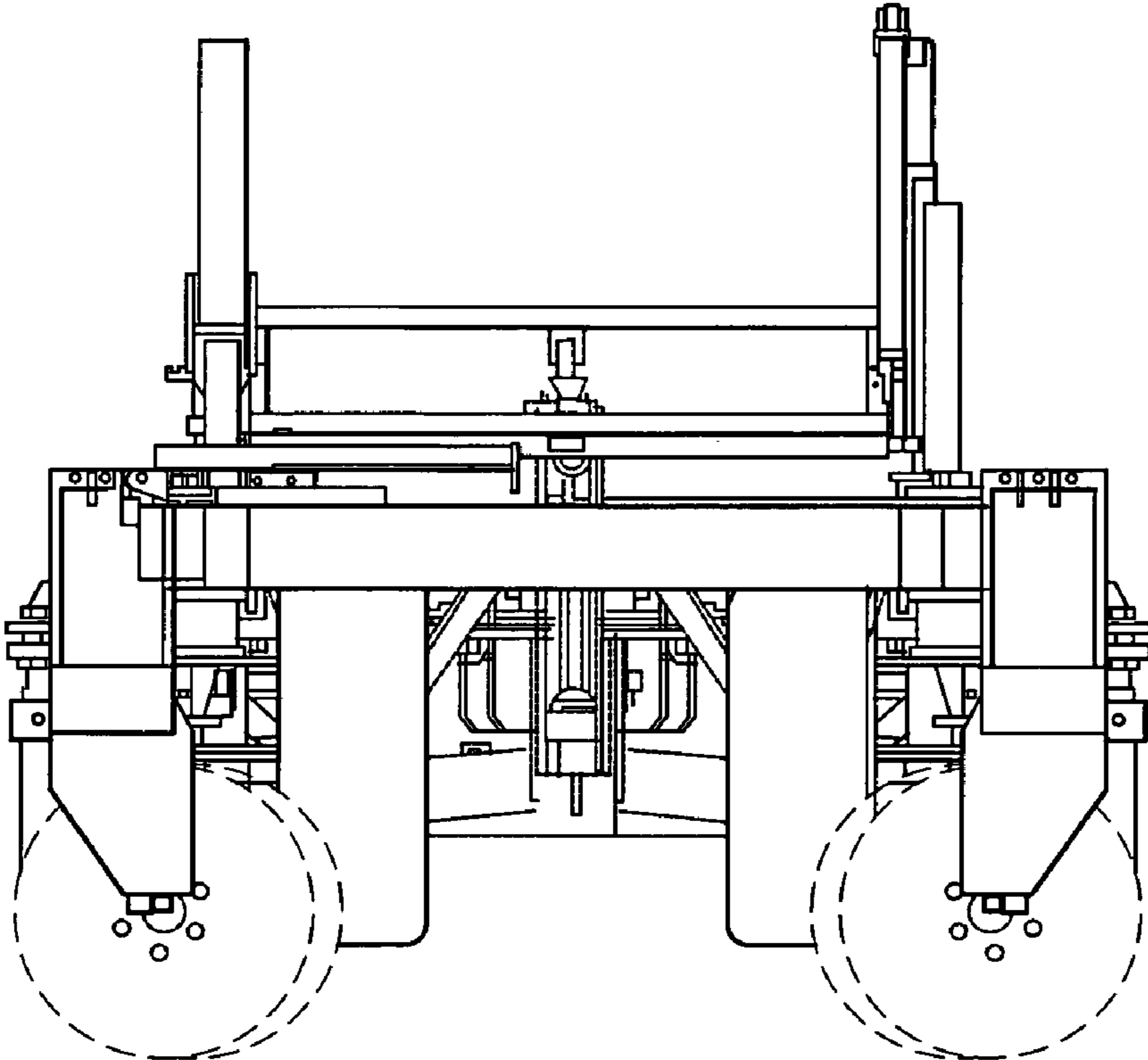


FIG. 7





**FIG. 8**



**FIG. 9**

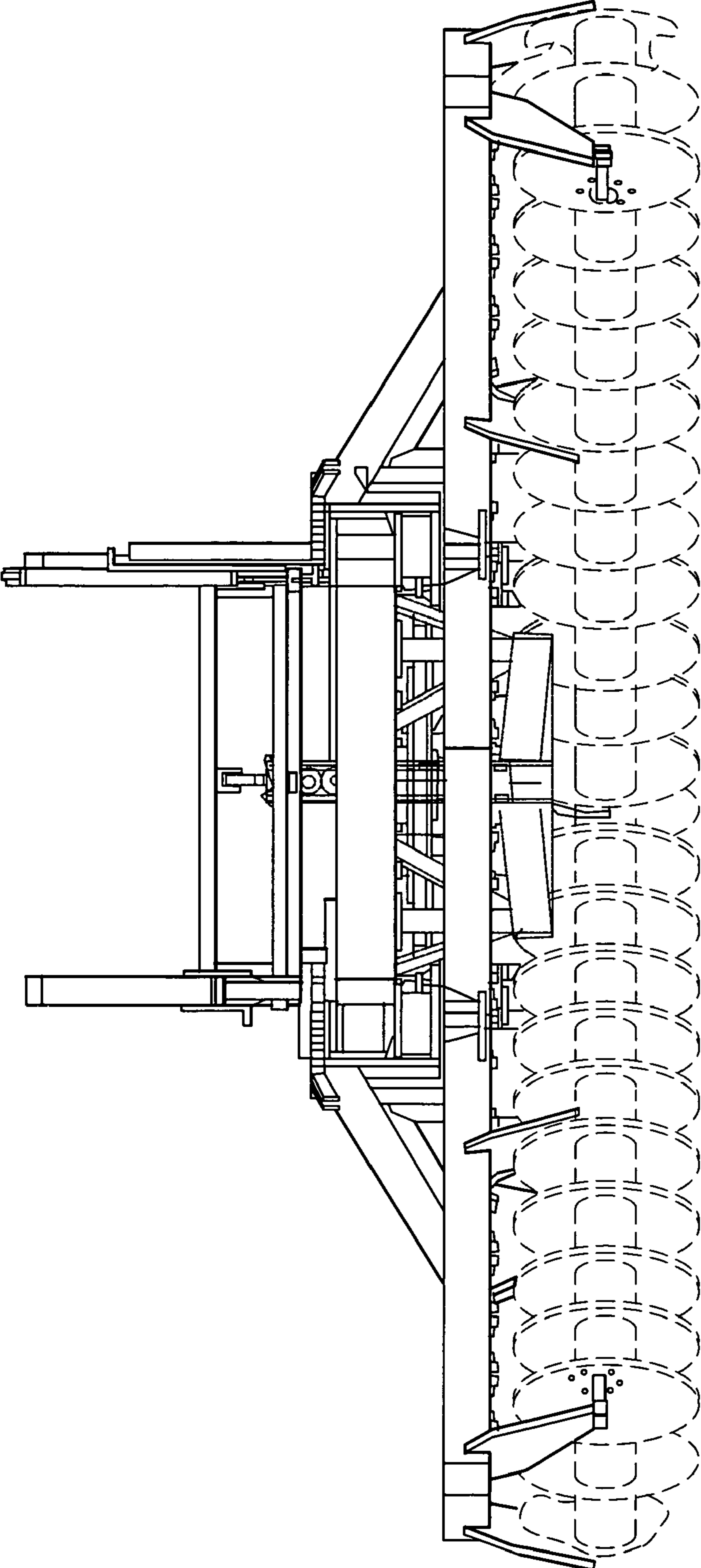


FIG. 10