



US00D625336S

(12) **United States Design Patent**  
**Niemann et al.**

(10) **Patent No.:** **US D625,336 S**  
(45) **Date of Patent:** **\*\* Oct. 12, 2010**

(54) **SENSOR FOR DIFFERENT MEDIA**

(75) Inventors: **Markus Niemann**, St. Johann (DE);  
**Gustav Klett**, Moessingen (DE)

(73) Assignee: **Robert Bosch GmbH**, Stuttgart (DE)

(\*\*) Term: **14 Years**

(21) Appl. No.: **29/357,650**

(22) Filed: **Mar. 16, 2010**

(30) **Foreign Application Priority Data**

Nov. 19, 2009 (DE) ..... 40 2009 005 679

(51) **LOC (9) Cl.** ..... **15-01**

(52) **U.S. Cl.** ..... **D15/5**

(58) **Field of Classification Search** ..... D10/158,  
D10/96, 101, 103; 123/575; D15/5; D23/262  
See application file for complete search history.

(56) **References Cited**

**U.S. PATENT DOCUMENTS**

D387,147 S \* 12/1997 Vandermast et al. .... D23/262  
D430,171 S \* 8/2000 Burch ..... D15/17  
D438,545 S \* 3/2001 Burch ..... D15/17  
D469,791 S \* 2/2003 Newton et al. .... D15/148

D492,699 S \* 7/2004 MacPherson et al. .... D15/5  
D557,284 S \* 12/2007 Miller et al. .... D15/5  
D576,477 S \* 9/2008 Levy ..... D8/382  
D620,084 S \* 7/2010 Talamantez ..... D23/262

\* cited by examiner

*Primary Examiner*—T. Chase Nelson

*Assistant Examiner*—Ania K Dworzecka

(74) *Attorney, Agent, or Firm*—Victor A. Henzi

(57) **CLAIM**

The ornamental design for a sensor for different media, as shown and described.

**DESCRIPTION**

FIG. 1 is a front left perspective view of the sensor for different media;

FIG. 2 is a right elevational view thereof;

FIG. 3 is a left elevational view thereof;

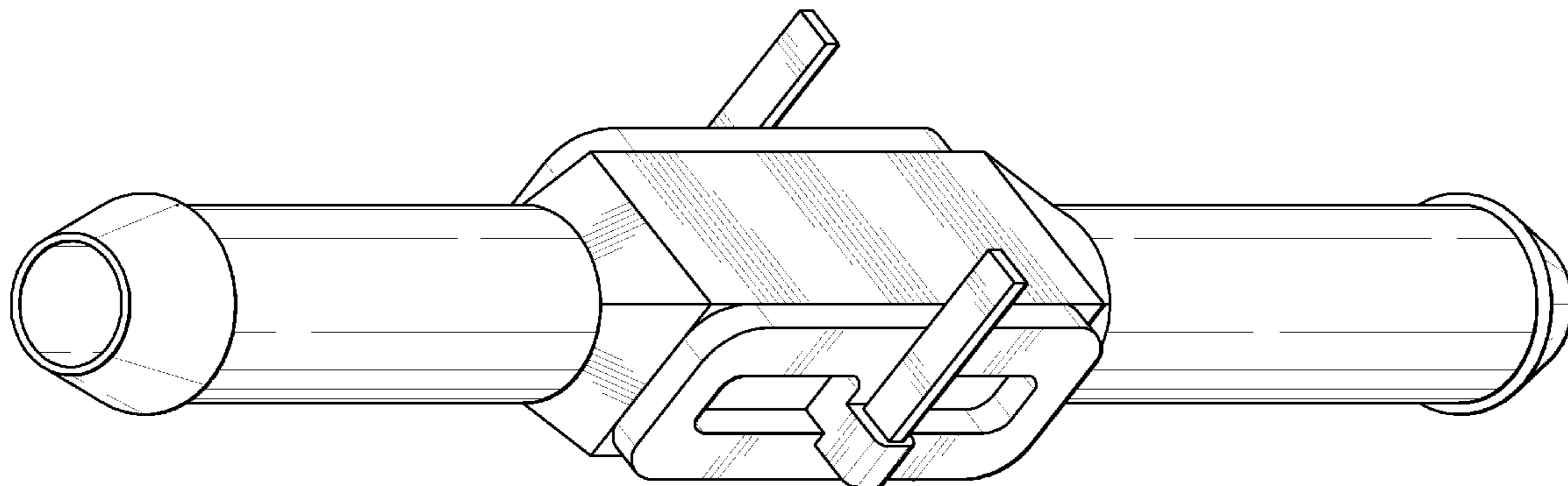
FIG. 4 is a front elevational view thereof;

FIG. 5 is a rear elevational view thereof;

FIG. 6 is a top plan view thereof; and,

FIG. 7 is a bottom plan view thereof.

**1 Claim, 4 Drawing Sheets**



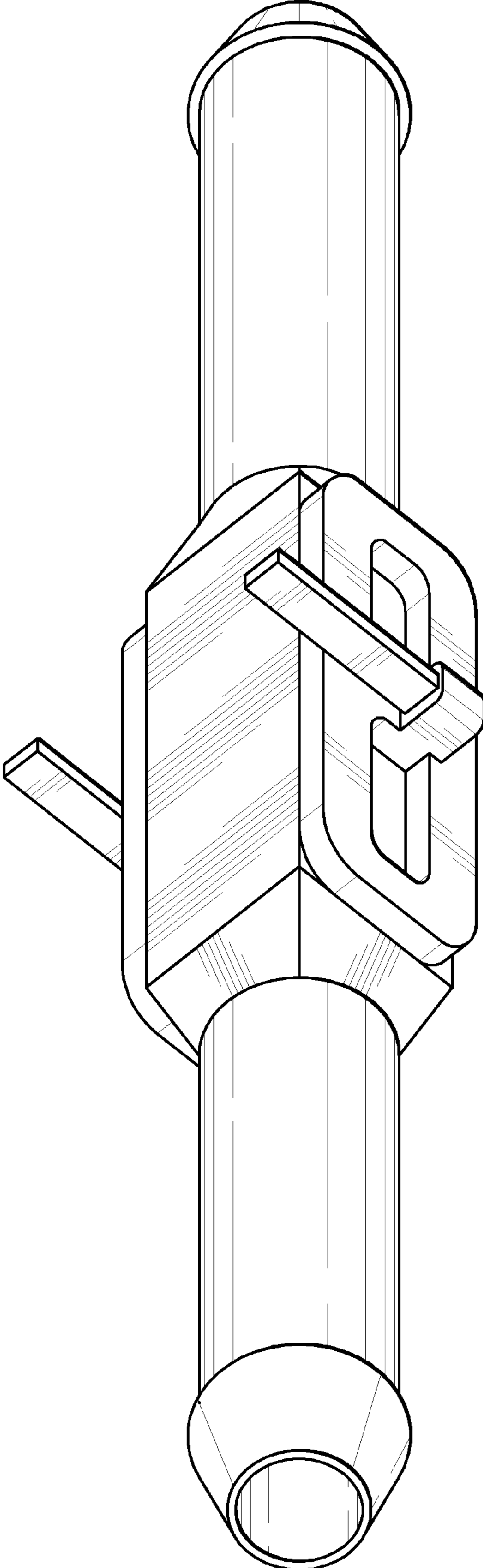


Fig. 1

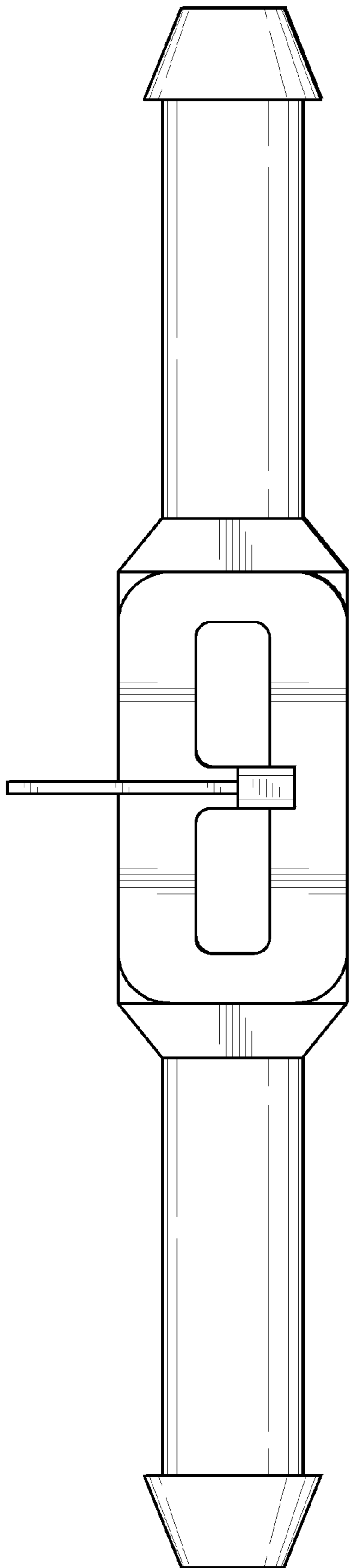


Fig. 2

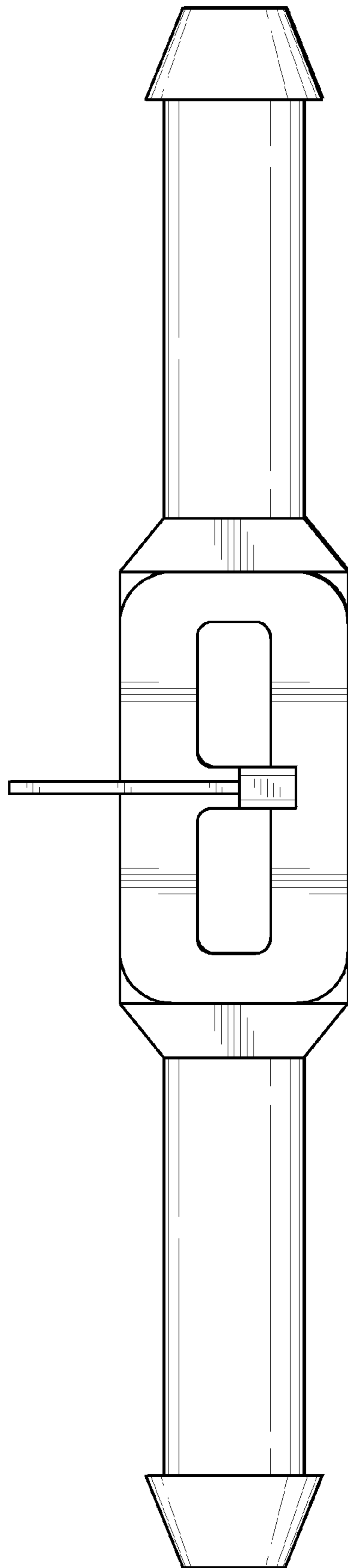
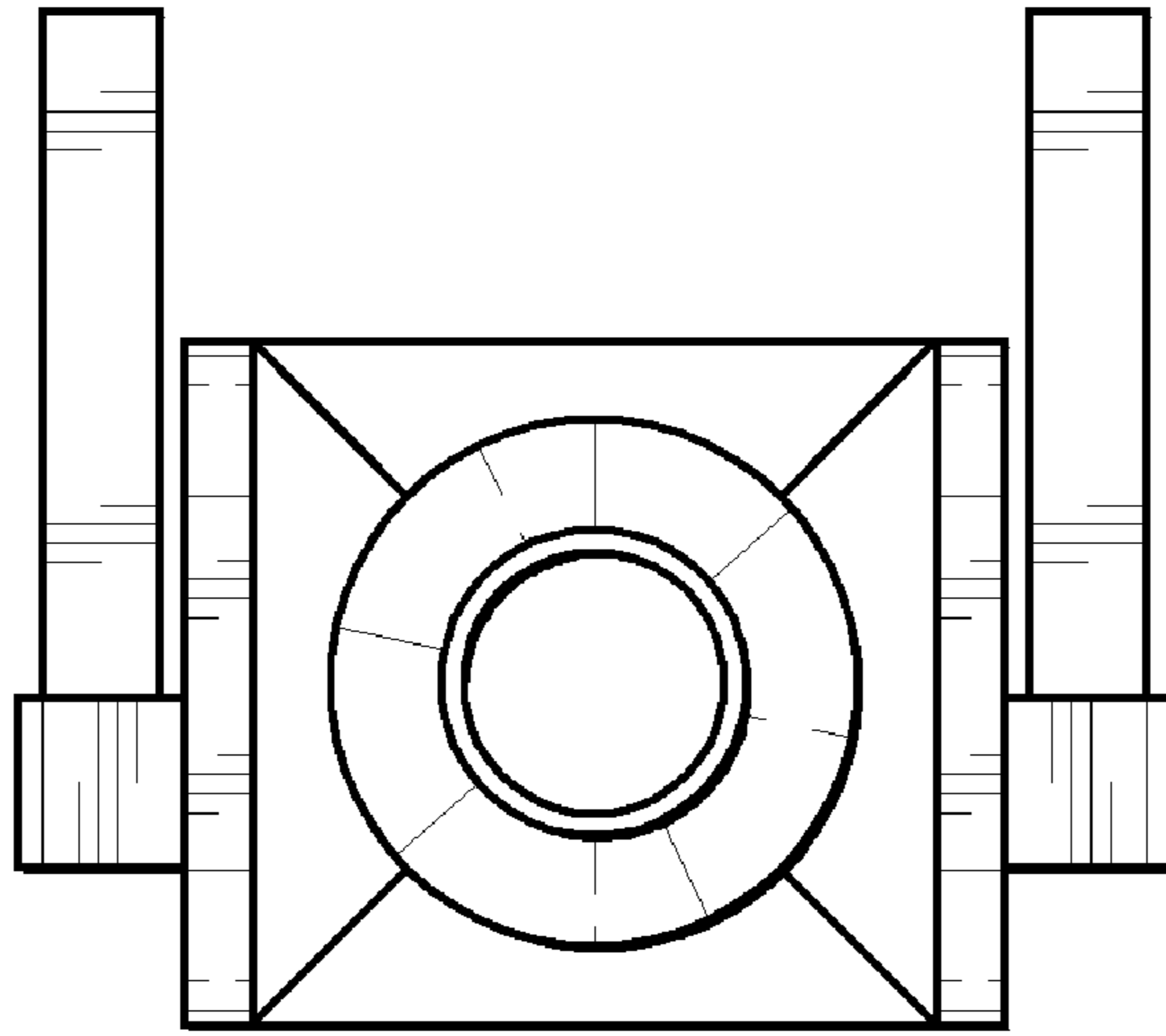
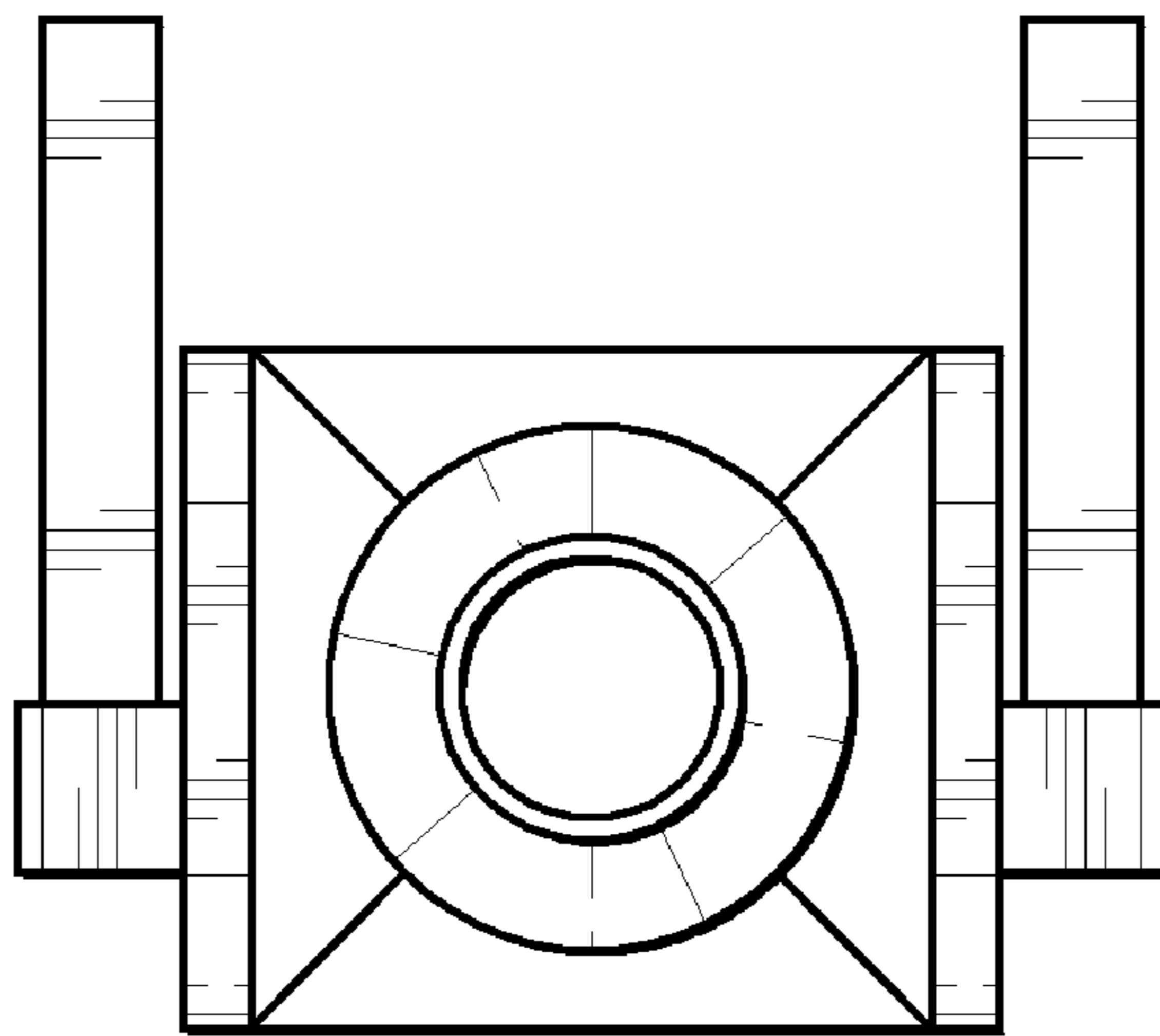


Fig. 3



**Fig. 4**



**Fig. 5**

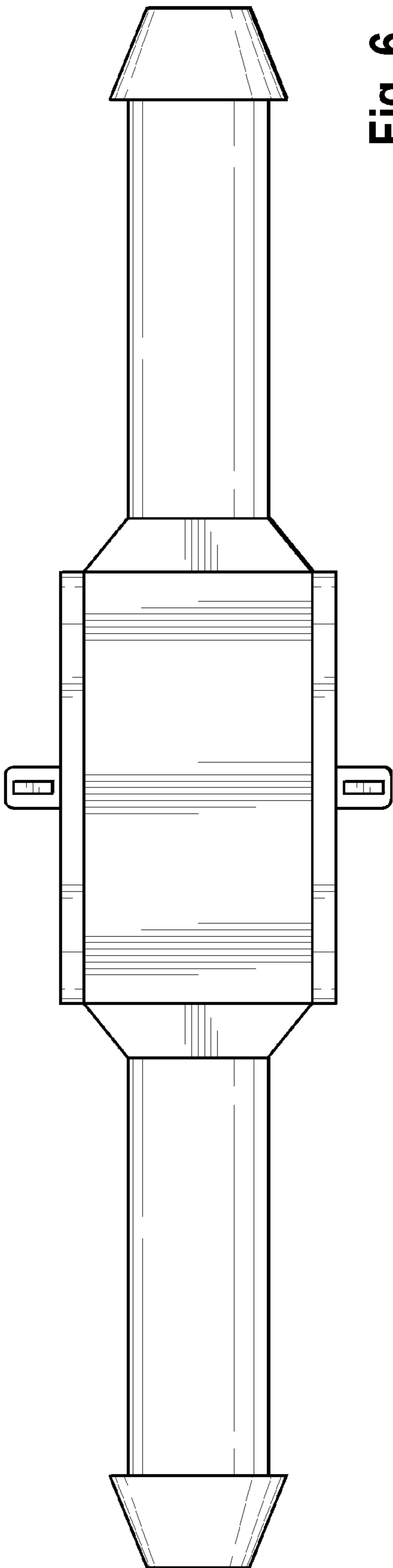


Fig. 6

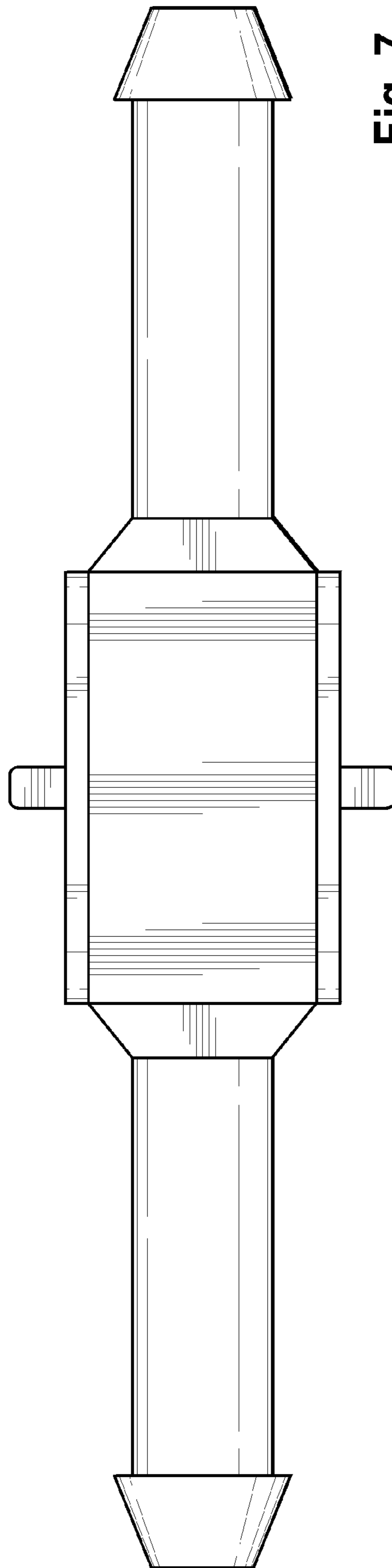


Fig. 7