



US00D625335S

(12) **United States Design Patent**
Niemann et al.

(10) **Patent No.:** **US D625,335 S**
(45) **Date of Patent:** **** Oct. 12, 2010**

(54) **SENSOR FOR DIFFERENT MEDIA**

(75) Inventors: **Markus Niemann**, St. Johann (DE);
Gustav Klett, Moessingen (DE)

(73) Assignee: **Robert Bosch GmbH**, Stuttgart (DE)

(**) Term: **14 Years**

(21) Appl. No.: **29/357,649**

(22) Filed: **Mar. 16, 2010**

(30) **Foreign Application Priority Data**

Nov. 19, 2009 (DE) 40 2009 005 679

(51) **LOC (9) Cl.** **15-01**

(52) **U.S. Cl.** **D15/5**

(58) **Field of Classification Search** D10/158,
D10/96, 101, 103; 123/575; D15/5; D23/262
See application file for complete search history.

(56) **References Cited**

U.S. PATENT DOCUMENTS

D387,147 S * 12/1997 Vandermast et al. D23/262
D430,171 S * 8/2000 Burch D15/17
D438,545 S * 3/2001 Burch D15/17
D469,791 S * 2/2003 Newton et al. D15/148

D492,699 S * 7/2004 MacPherson et al. D15/5
D557,284 S * 12/2007 Miller et al. D15/5
D576,477 S * 9/2008 Levy D8/382
D620,084 S * 7/2010 Talamantez D23/262

* cited by examiner

Primary Examiner—T. Chase Nelson
Assistant Examiner—Ania K Dworzecka
(74) *Attorney, Agent, or Firm*—Victor A. Henzi

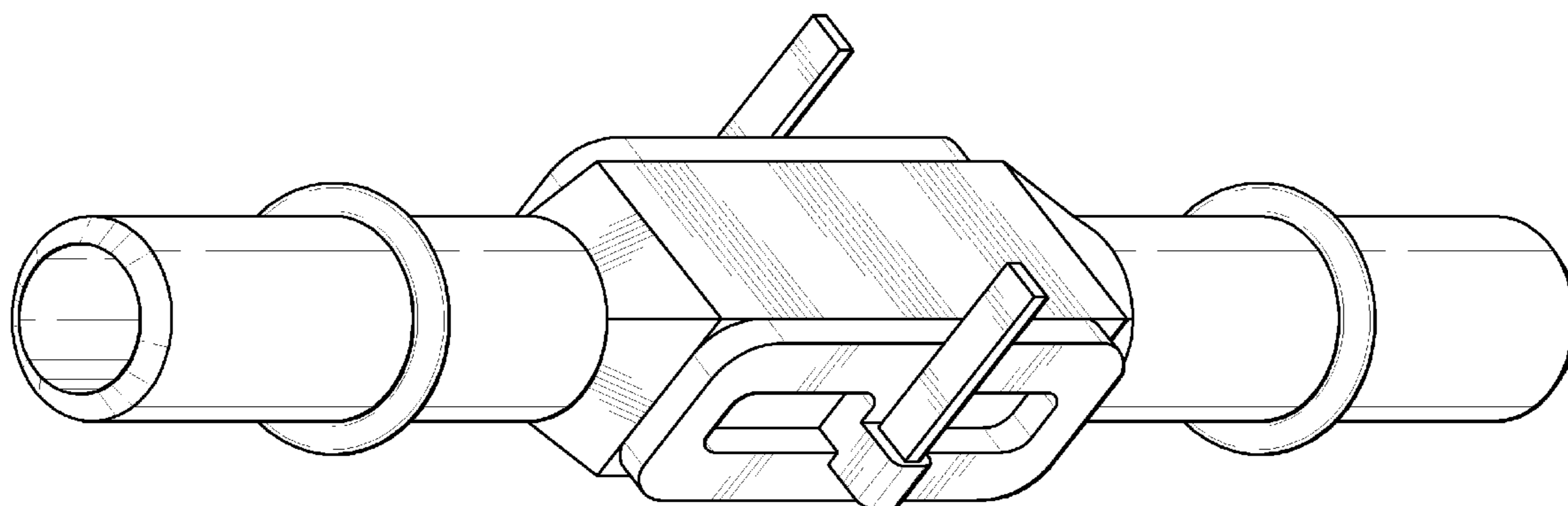
(57) **CLAIM**

The ornamental design for a sensor for different media, as shown and described.

DESCRIPTION

FIG. 1 is a front left perspective view of the sensor for different media;
FIG. 2 is a right elevational view thereof;
FIG. 3 is a left elevational view thereof;
FIG. 4 is a front elevational view thereof;
FIG. 5 is a rear elevational view thereof;
FIG. 6 is a top plan view thereof; and,
FIG. 7 is a bottom plan view thereof.

1 Claim, 4 Drawing Sheets



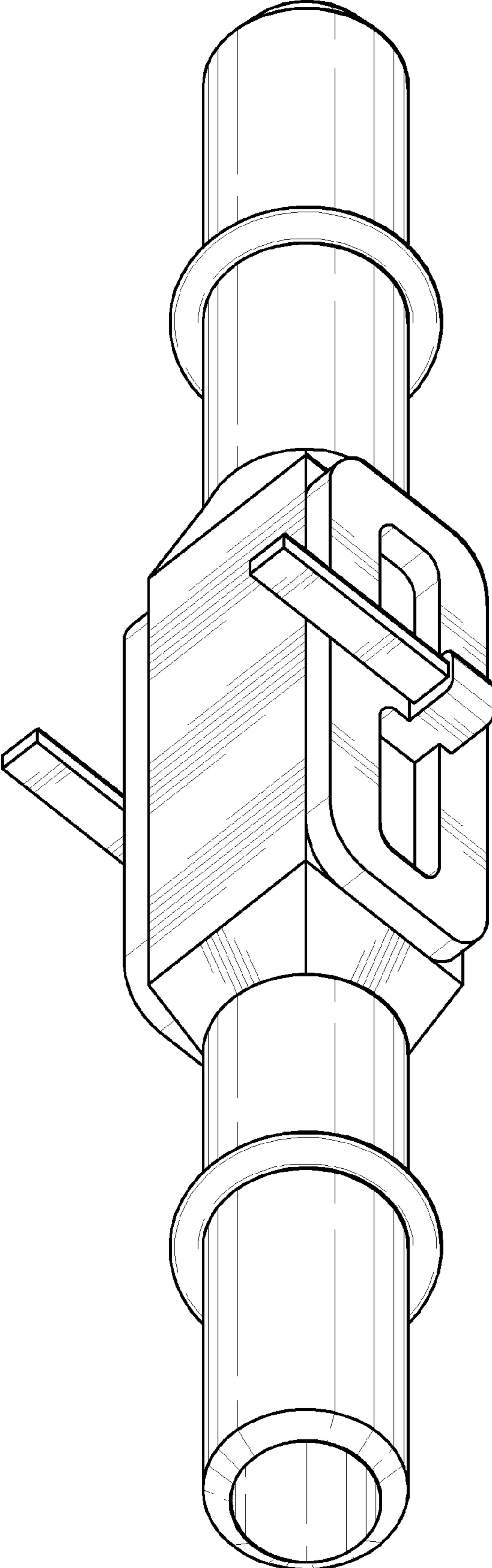


Fig. 1

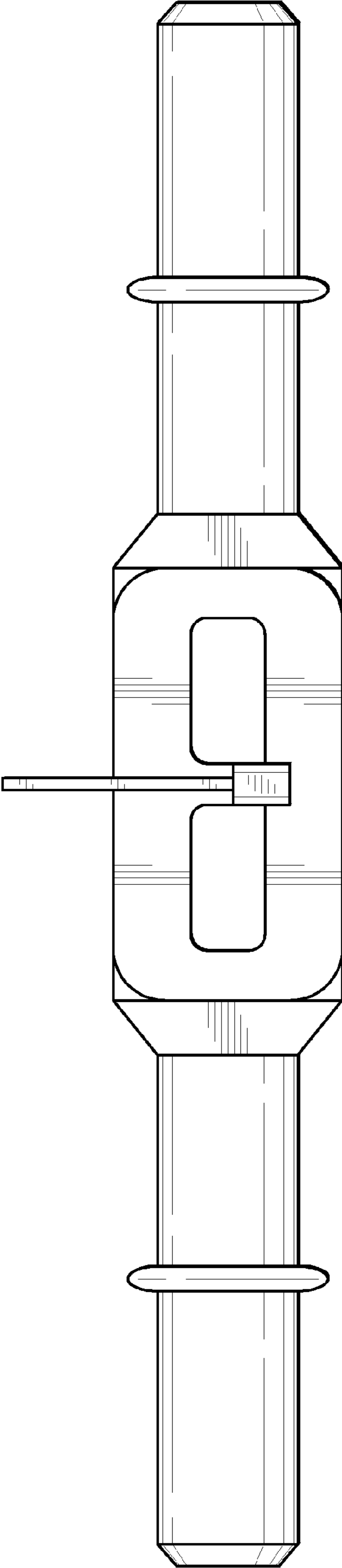


Fig. 2

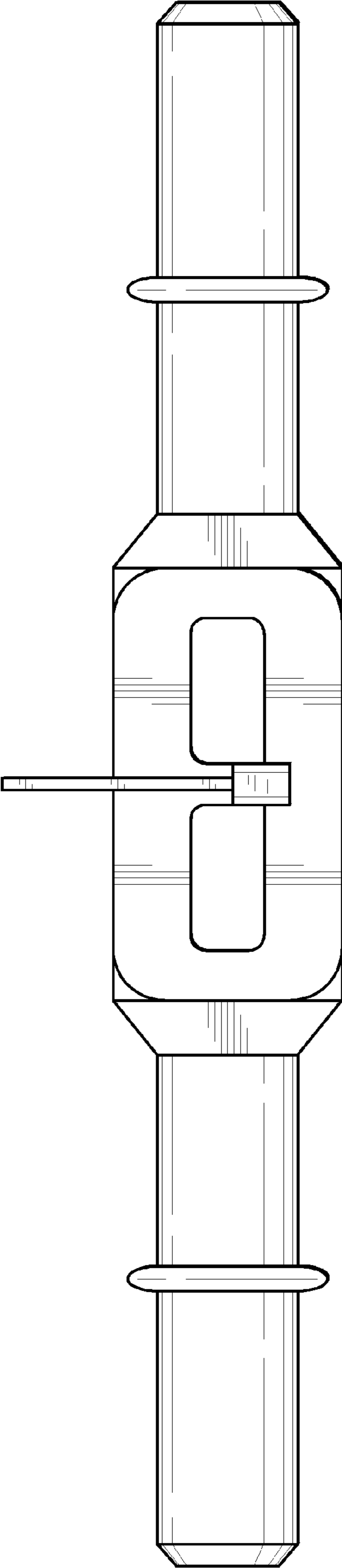


Fig. 3

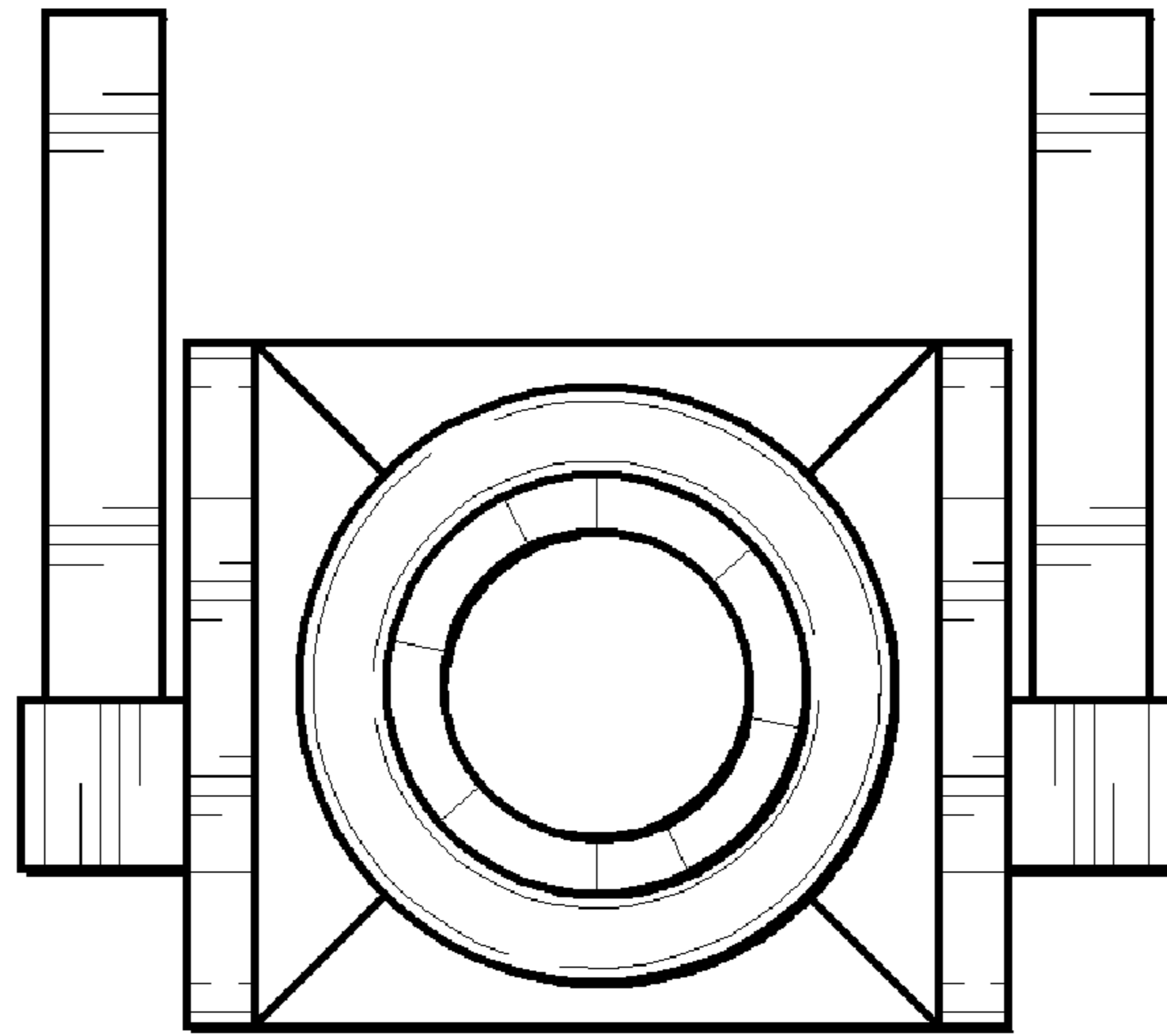


Fig. 4

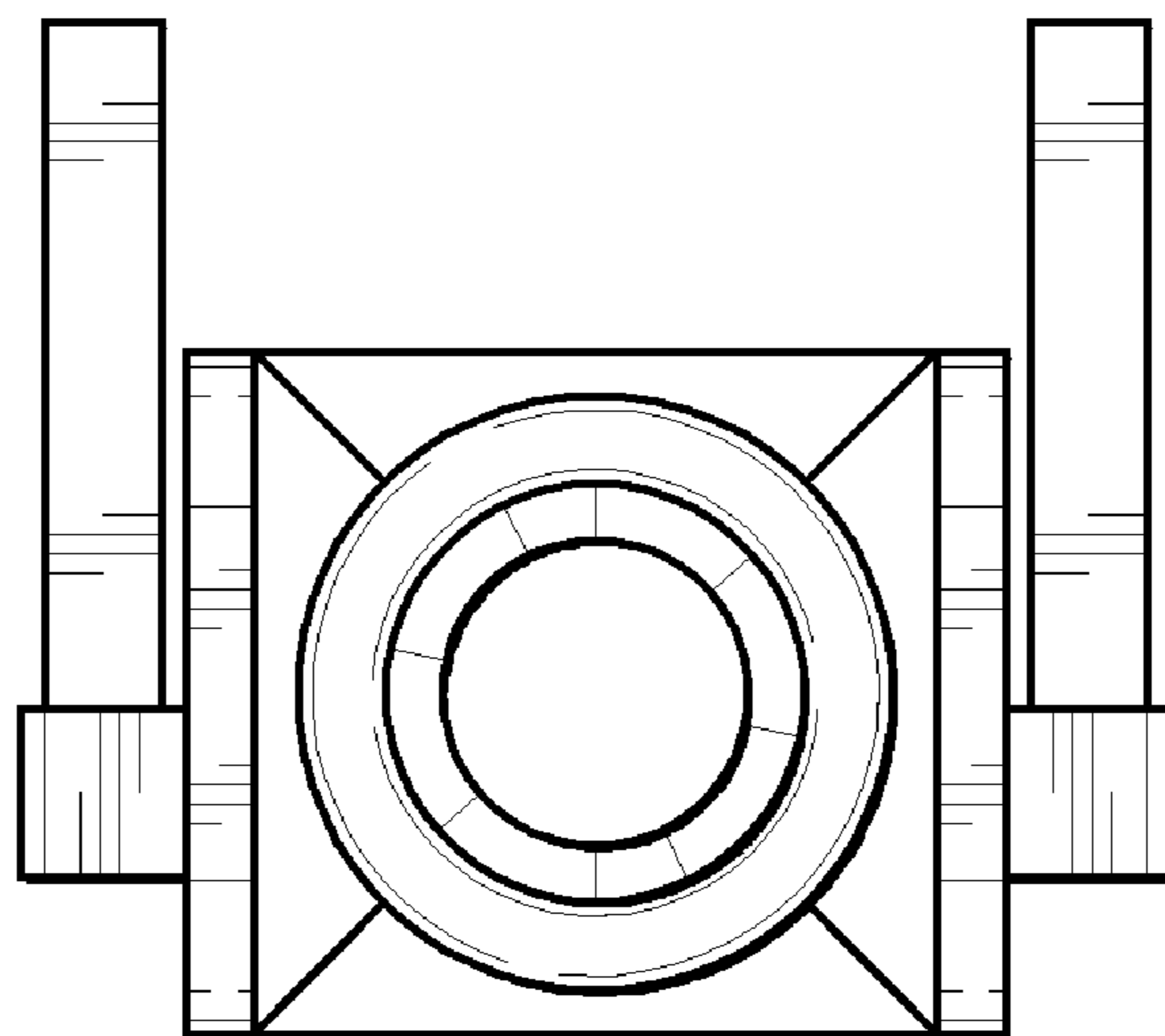


Fig. 5

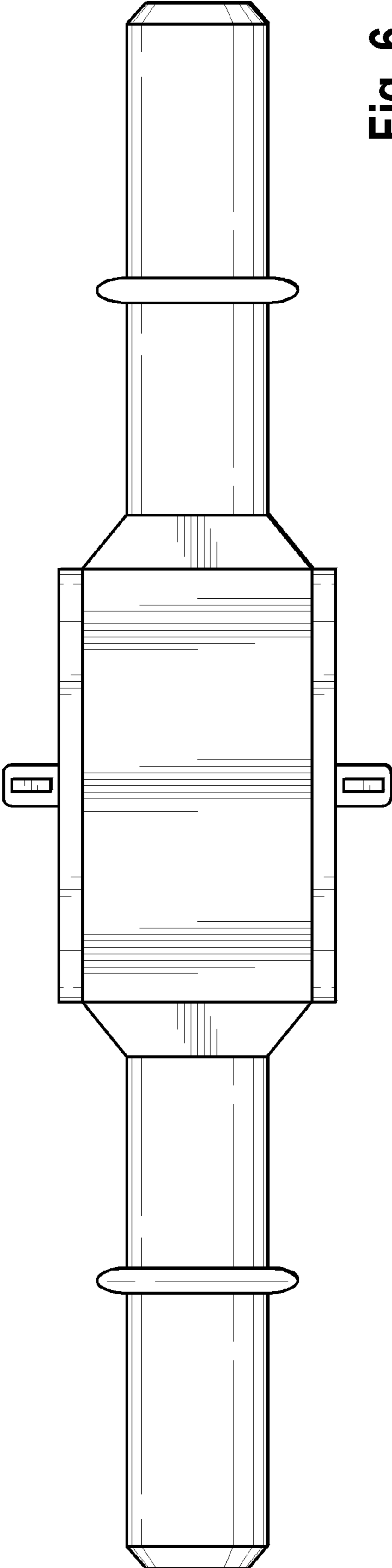


Fig. 6

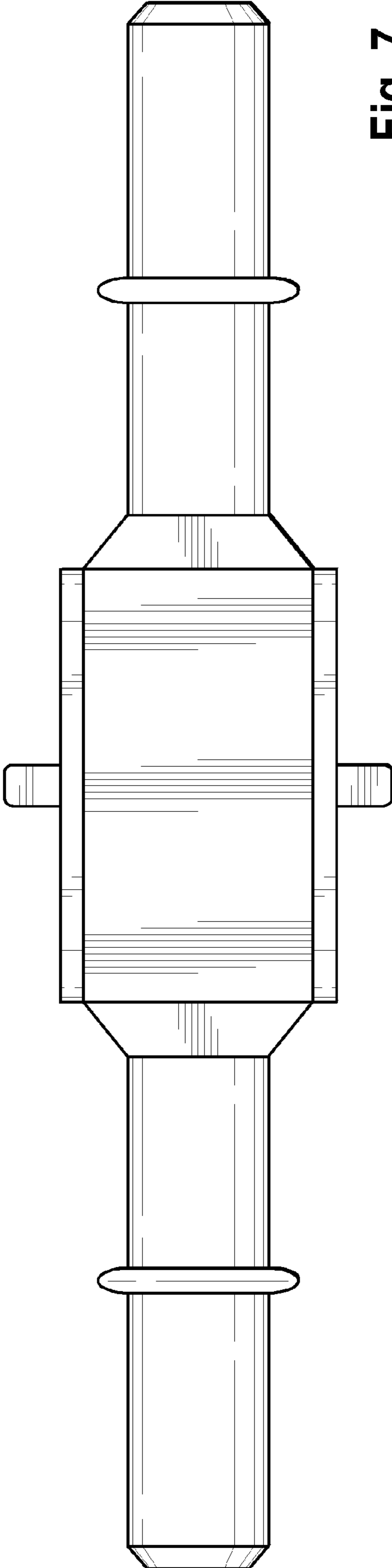


Fig. 7