



(12) **United States Design Patent**
Gouge

(10) **Patent No.:** **US D625,334 S**
(45) **Date of Patent:** **** Oct. 12, 2010**

(54) **STABILIZER BRACKET FOR OUTBOARD MOTOR**

(76) **Inventor:** **Claude Gouge**, 106 Silverstone Dr., Marion, NC (US) 28752

(**) **Term:** **14 Years**

(21) **Appl. No.:** **29/307,977**

(22) **Filed:** **May 20, 2008**

(51) **LOC (9) Cl.** **15-01**

(52) **U.S. Cl.** **D15/4**

(58) **Field of Classification Search** D15/4-5;
D12/317; D8/354, 373; 440/49, 53, 55,
440/59; 248/640-642

See application file for complete search history.

(56) **References Cited**

U.S. PATENT DOCUMENTS

1,704,303	A *	3/1929	Savage	248/641
2,529,432	A	11/1950	Tenner		
D197,098	S *	12/1963	Zimmerman	D8/354
3,693,576	A *	9/1972	Driscoll	440/55
3,749,046	A	7/1973	Ow		
4,232,627	A *	11/1980	Glenn et al.	440/61 R
4,331,431	A	5/1982	Estes		
D272,359	S *	1/1984	Hall et al.	D15/4
4,448,387	A *	5/1984	Gilbreath	248/642
D277,843	S *	3/1985	Gilbreath	D12/317
4,545,559	A *	10/1985	Gilbreath	248/642
D289,296	S *	4/1987	Mahoney	D15/4
D297,013	S *	8/1988	McGuire	D15/4
4,826,460	A *	5/1989	Zuckerman	440/55

(Continued)

OTHER PUBLICATIONS

Bass Pro Shops Advertisement; Internet website www.basspro.com; Jan. 24, 2008.

Primary Examiner—Susan E Krakower

(74) *Attorney, Agent, or Firm*—Carter, Schnedler & Warnock

(57) **CLAIM**

The ornamental design for a stabilizer bracket for outboard motor, as shown.

DESCRIPTION

FIG. 1 is a perspective view showing a first embodiment of my new design;

FIG. 2 is a top view of the first embodiment;

FIG. 3 is a bottom view of the first embodiment;

FIG. 4 is a front view of the first embodiment;

FIG. 5 is a rear view of the first embodiment;

FIG. 6 is a side view of the first embodiment;

FIG. 7 is a perspective view showing a second embodiment of my new design;

FIG. 8 is a top view of the second embodiment;

FIG. 9 is a bottom view of the second embodiment;

FIG. 10 is a front view of the second embodiment;

FIG. 11 is a rear view of the second embodiment;

FIG. 12 is a side view of the second embodiment;

FIG. 13 is a perspective view showing a third embodiment of my new design;

FIG. 14 is a top view of the third embodiment;

FIG. 15 is a bottom view of the third embodiment;

FIG. 16 is a front view of the third embodiment;

FIG. 17 is a rear view of the third embodiment;

FIG. 18 is a side view of the third embodiment;

FIG. 19 is a perspective view showing a fourth embodiment of my new design;

FIG. 20 is a top view of the fourth embodiment;

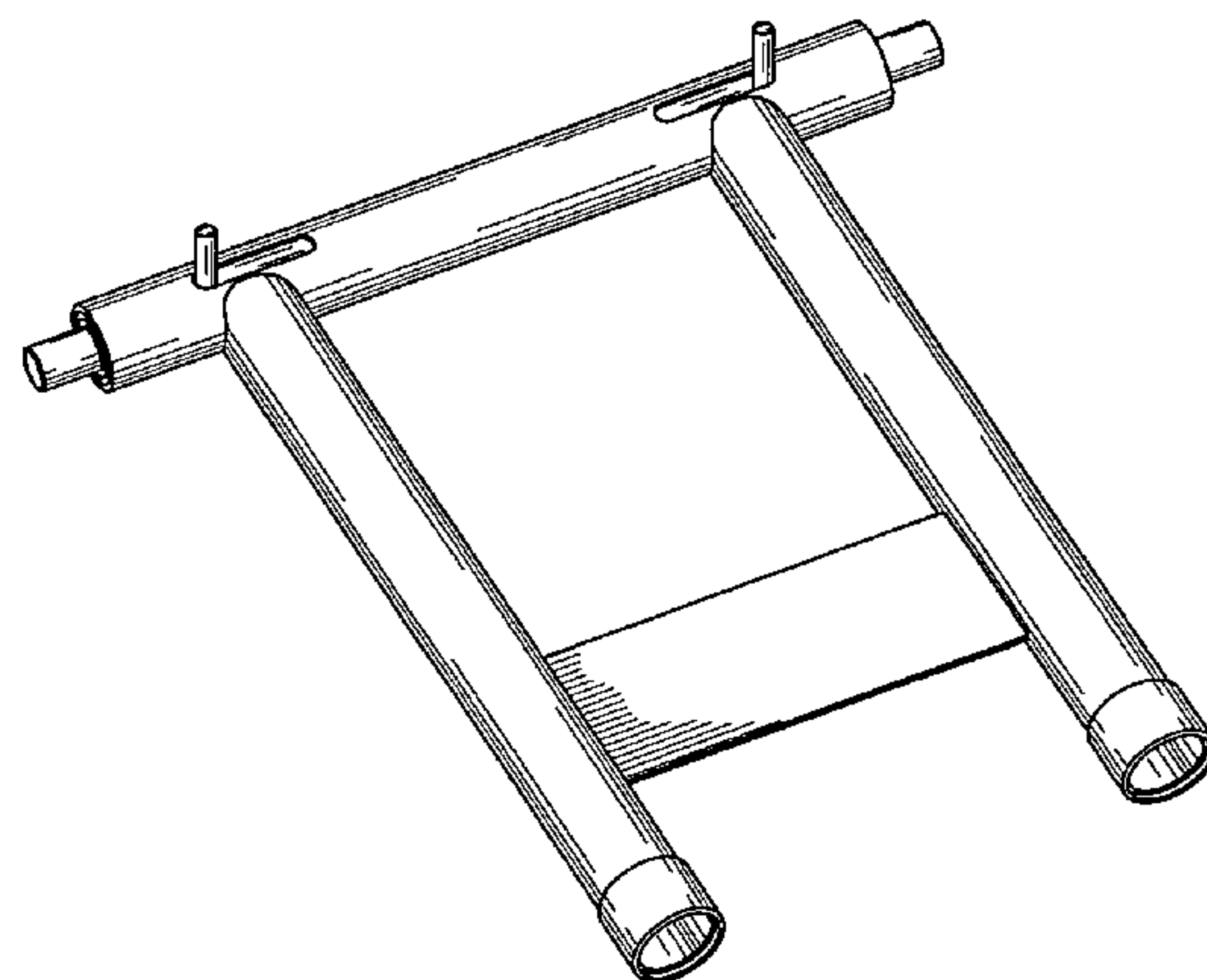
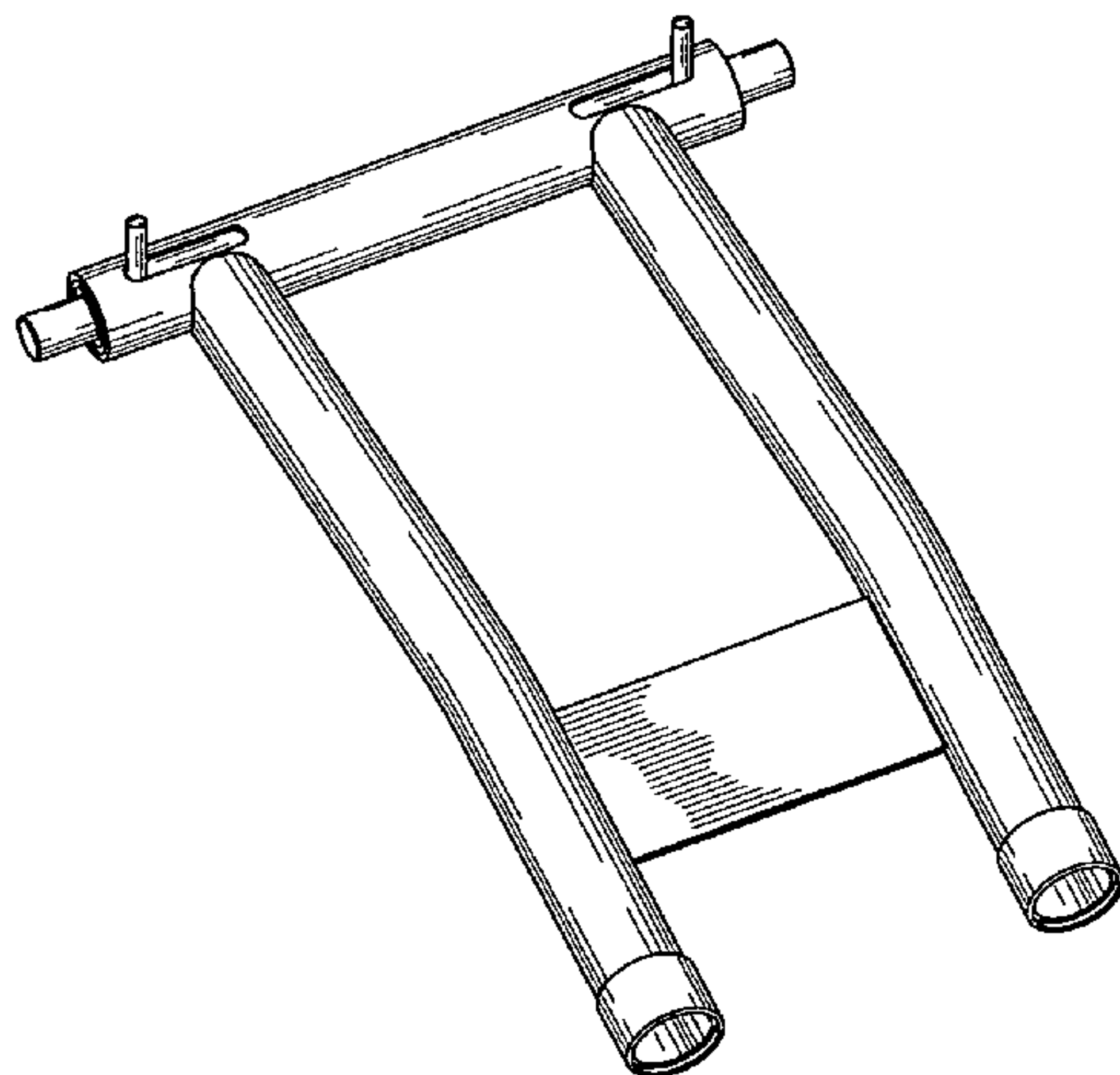
FIG. 21 is a bottom view of the fourth embodiment;

FIG. 22 is a front view of the fourth embodiment;

FIG. 23 is a rear view of the fourth embodiment; and,

FIG. 24 is a side view of the fourth embodiment.

1 Claim, 12 Drawing Sheets



US D625,334 S

Page 2

U.S. PATENT DOCUMENTS

4,842,239	A *	6/1989	Kinsey et al.	248/640	6,540,571	B1 *	4/2003	Tolbert	440/53
D332,951	S *	2/1993	Seats	D15/5	D533,877	S *	12/2006	Nakamura et al.	D15/4
5,393,251	A *	2/1995	Gilbert	440/59	7,278,893	B1	10/2007	Frantz	
5,562,511	A	10/1996	Blanchard et al.		7,335,073	B1 *	2/2008	Christian	440/53
D392,245	S *	3/1998	Johnson, Sr.	D12/317	2001/0044243	A1	11/2001	Thompson et al.	

* cited by examiner

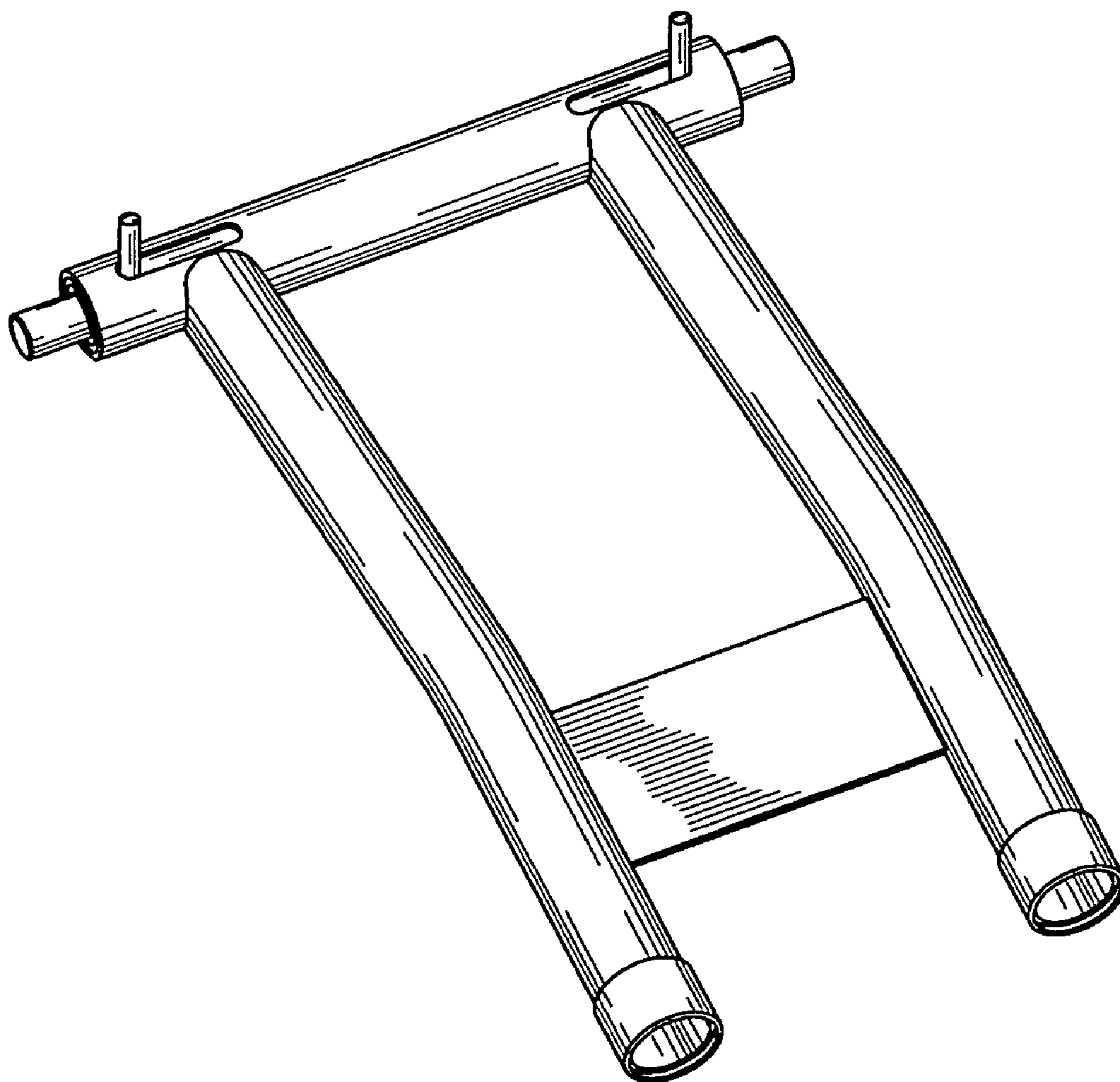


Fig. 1

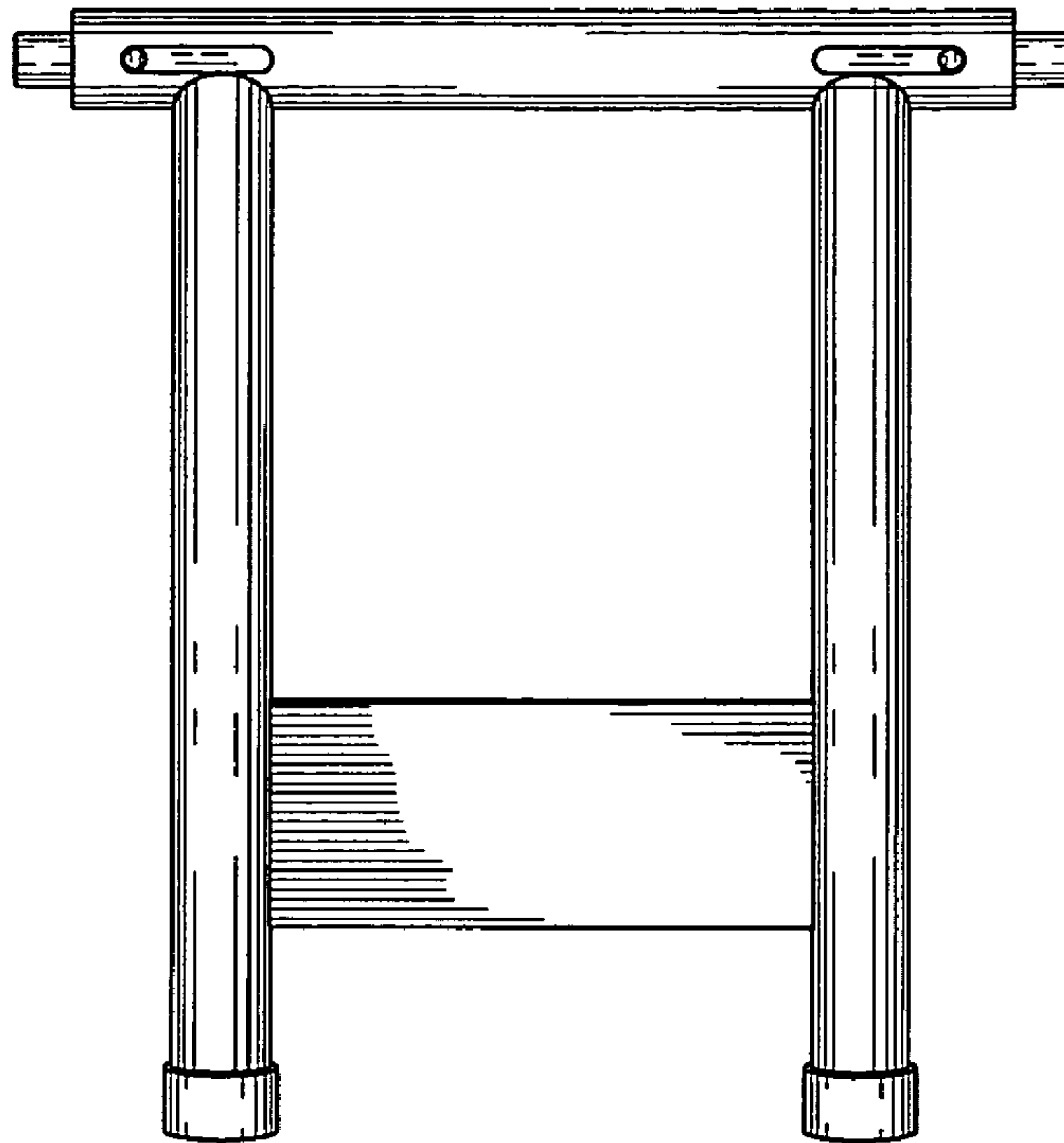


Fig. 2

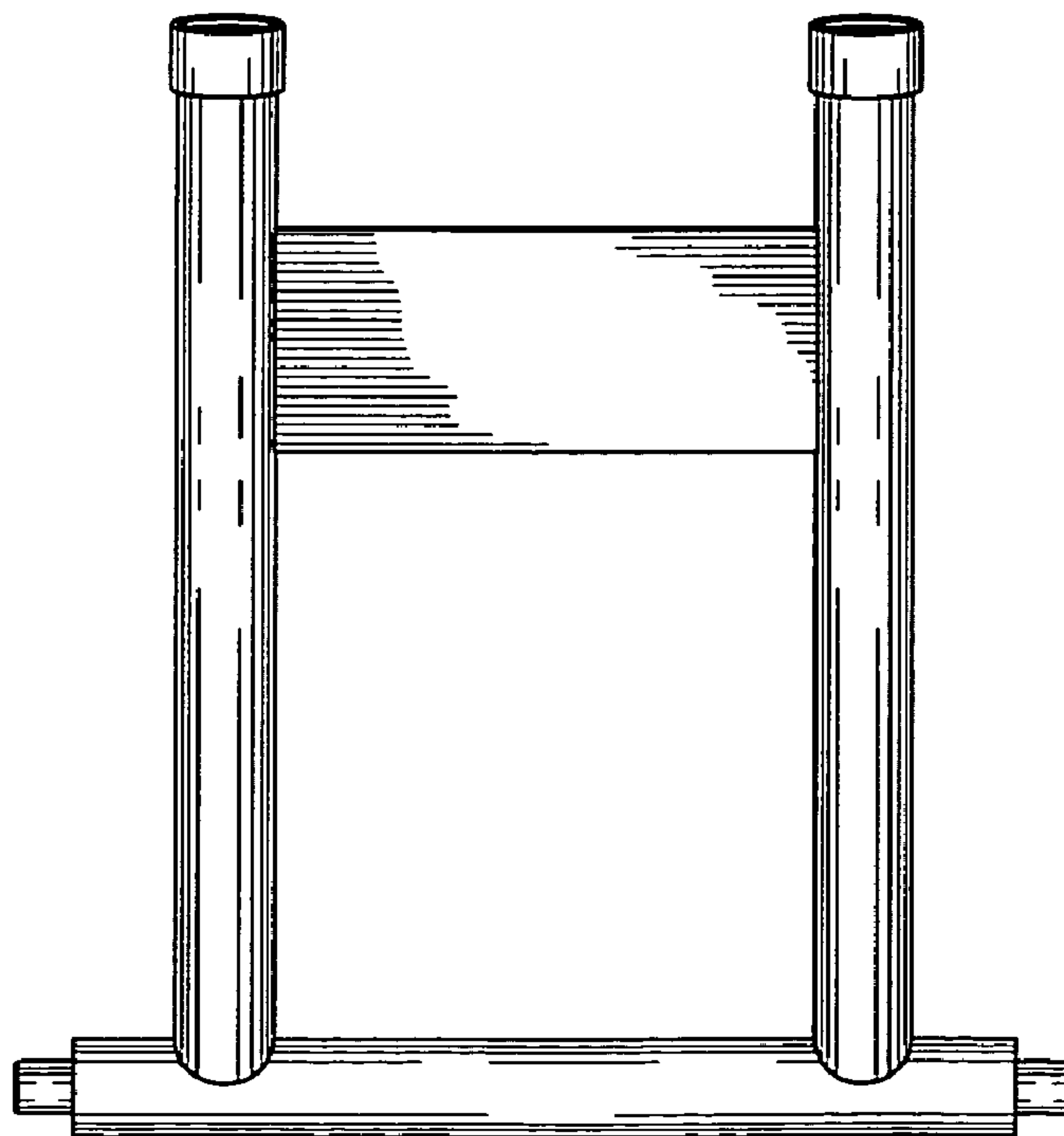


Fig. 3

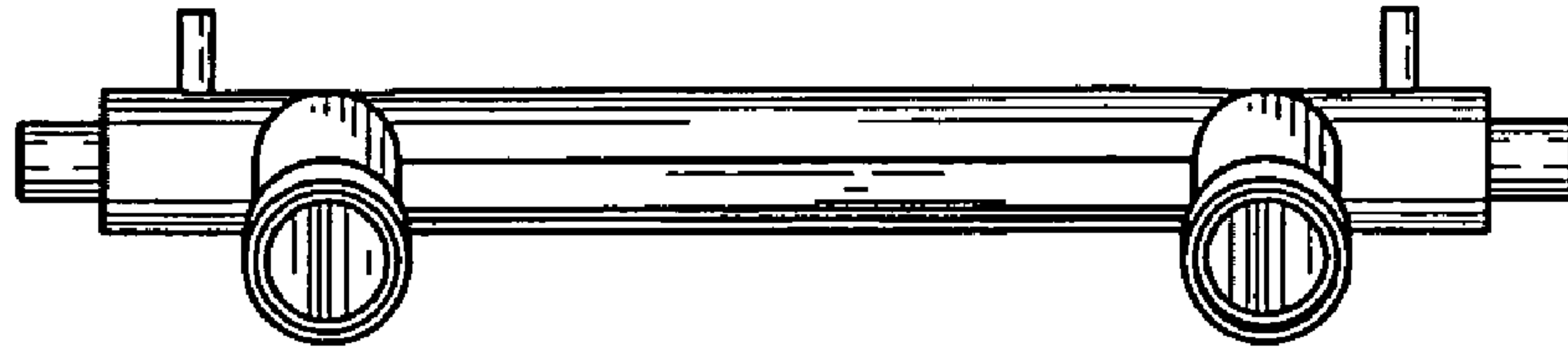


Fig. 4

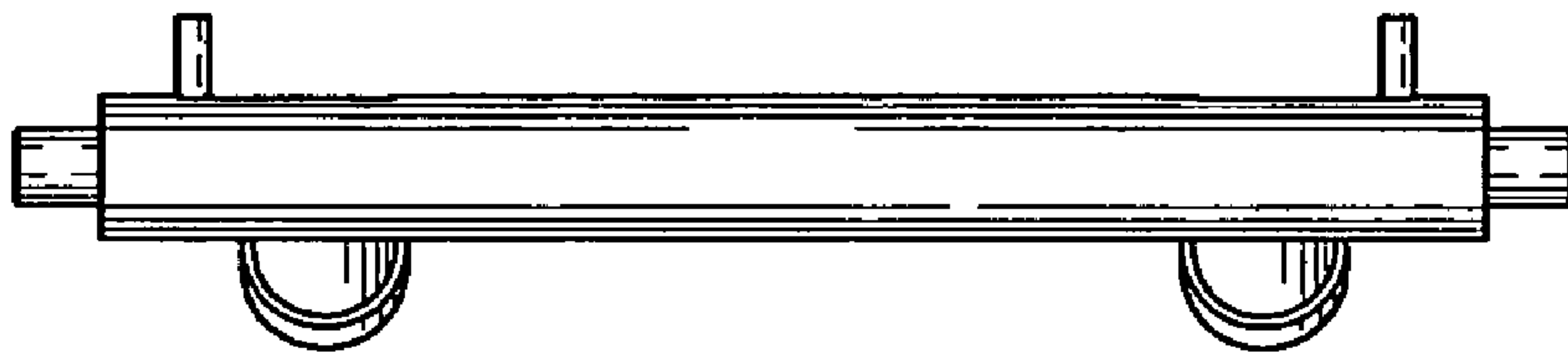


Fig. 5

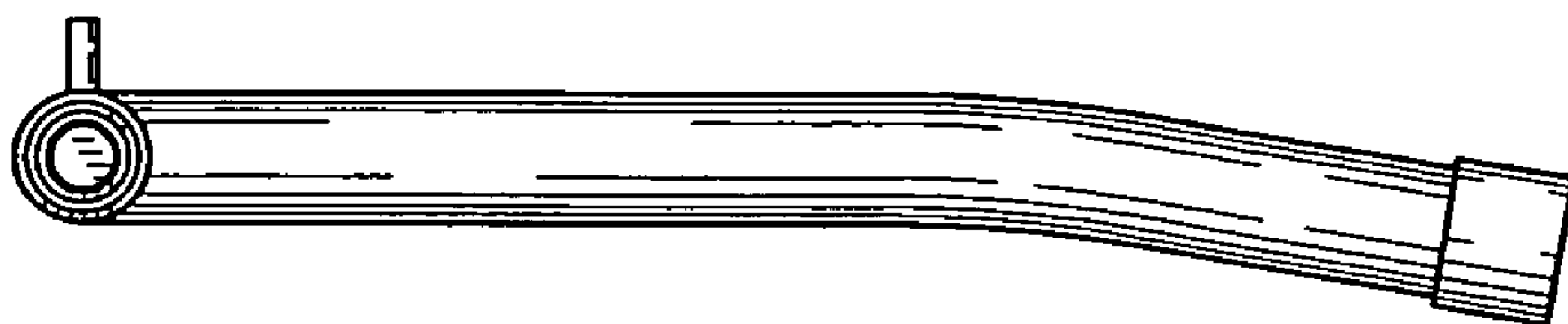


Fig. 6

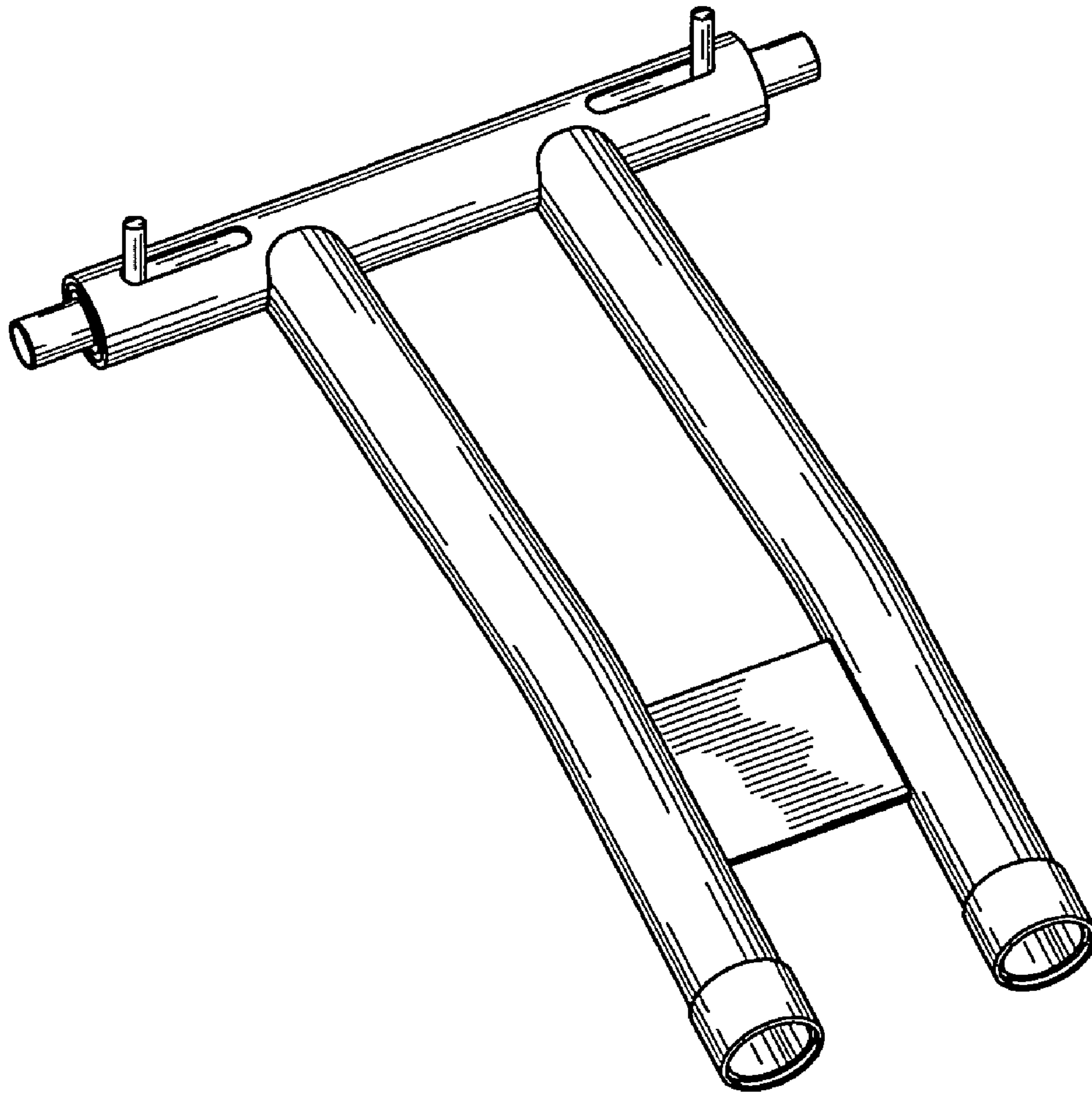


Fig. 7

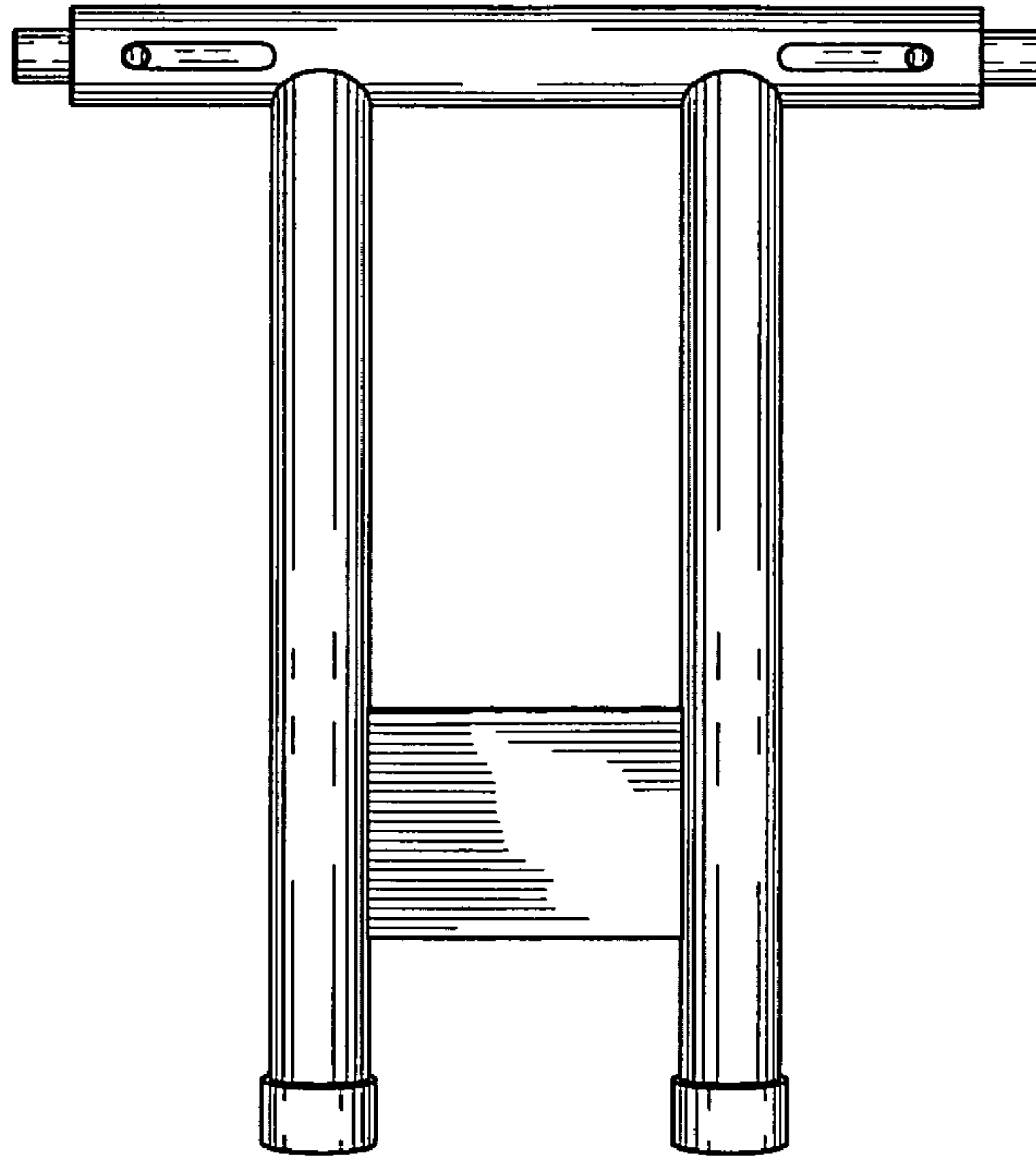


Fig. 8

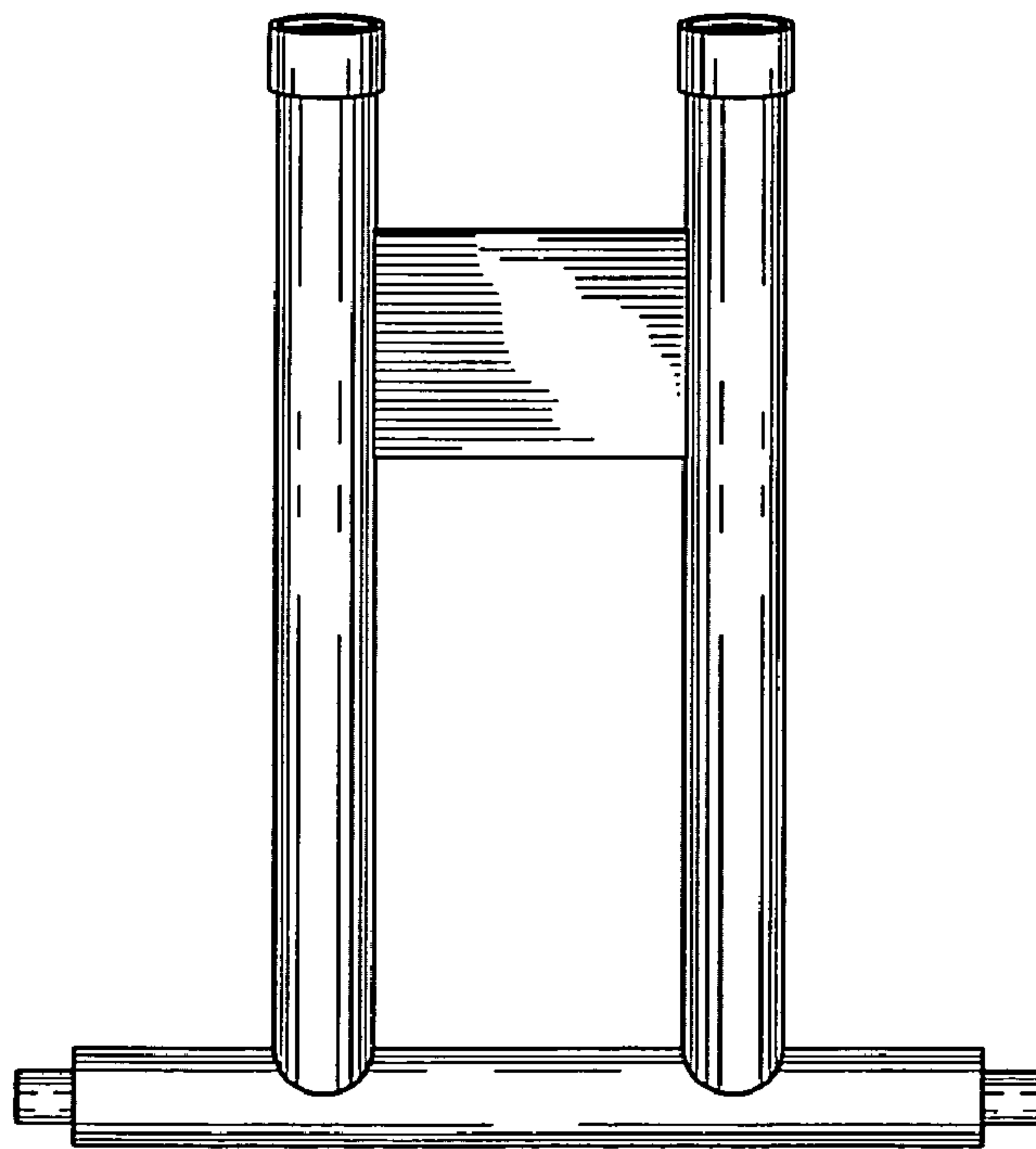


Fig. 9

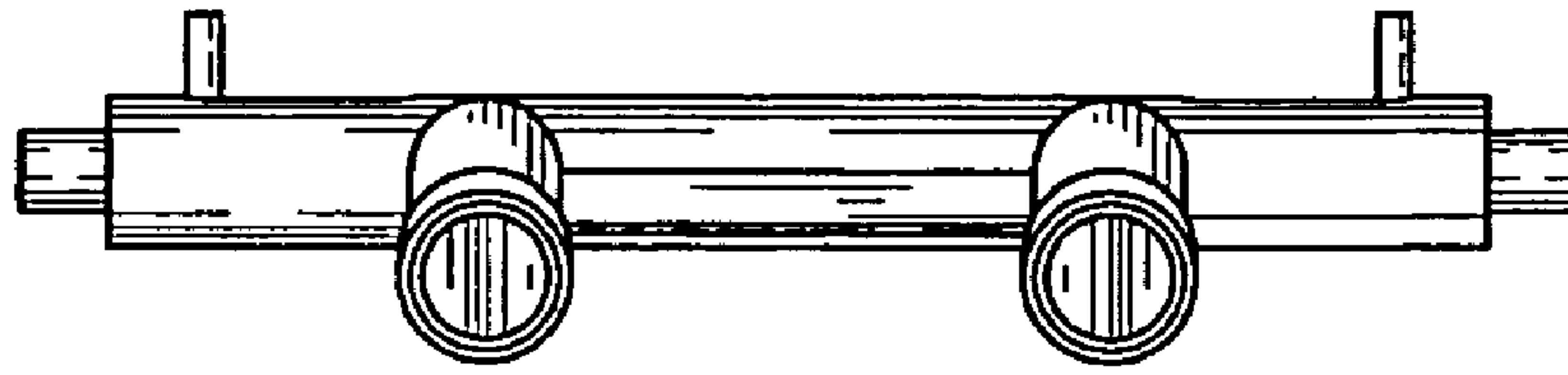


Fig. 10

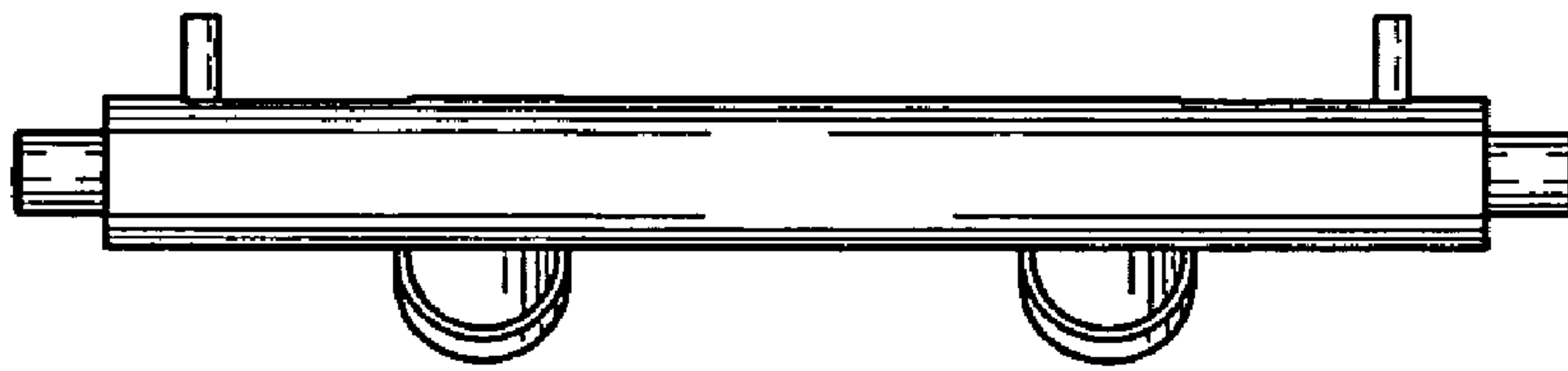


Fig. 11

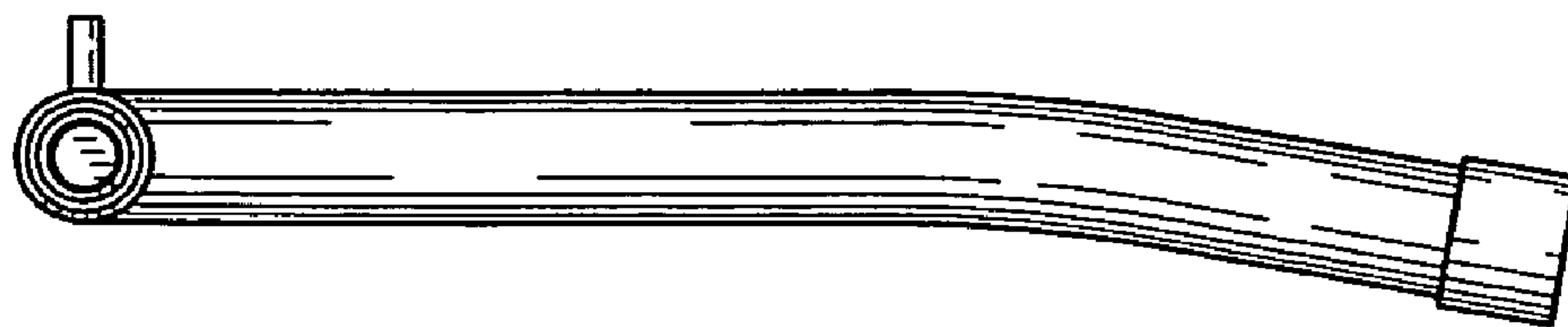


Fig. 12

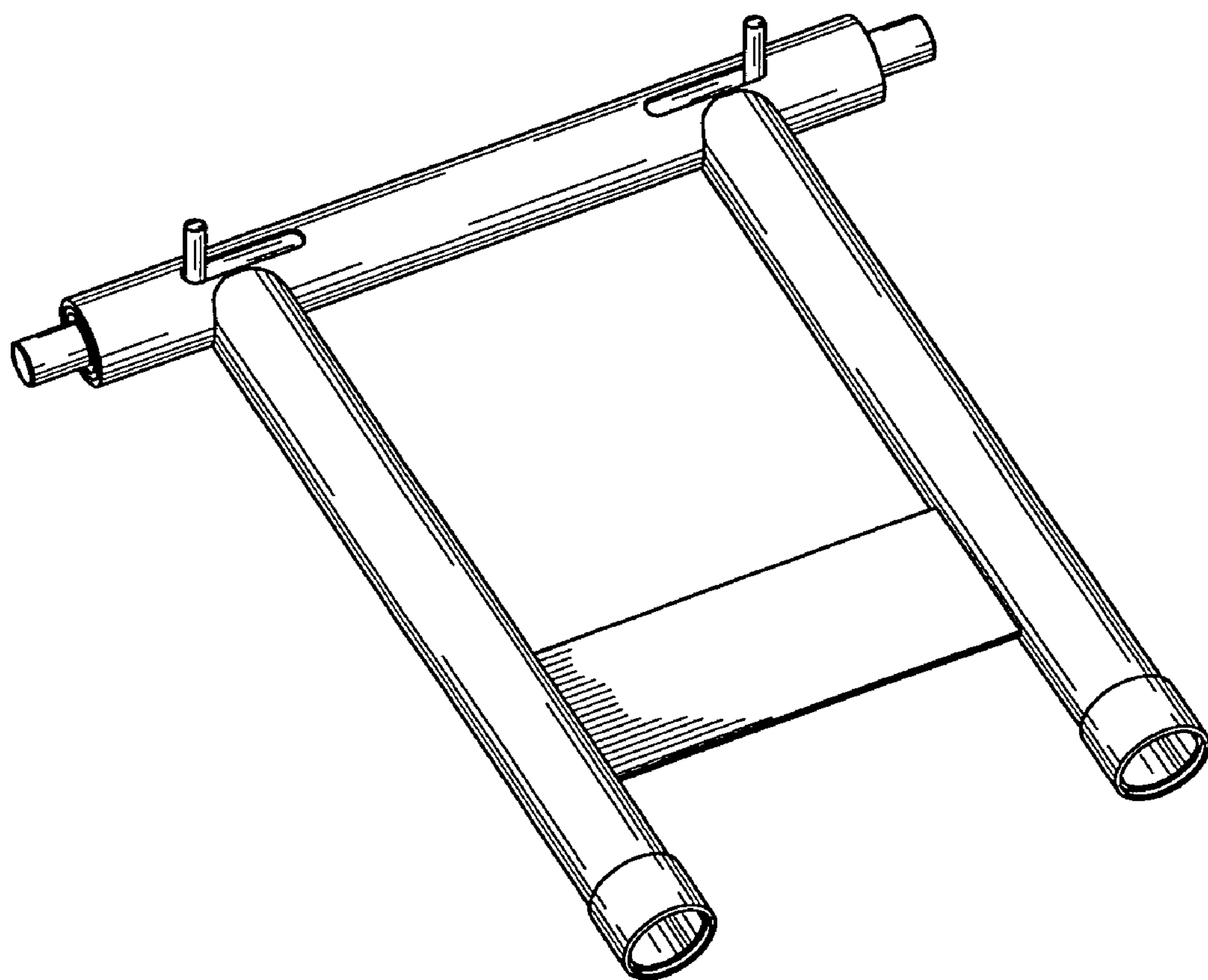


Fig. 13

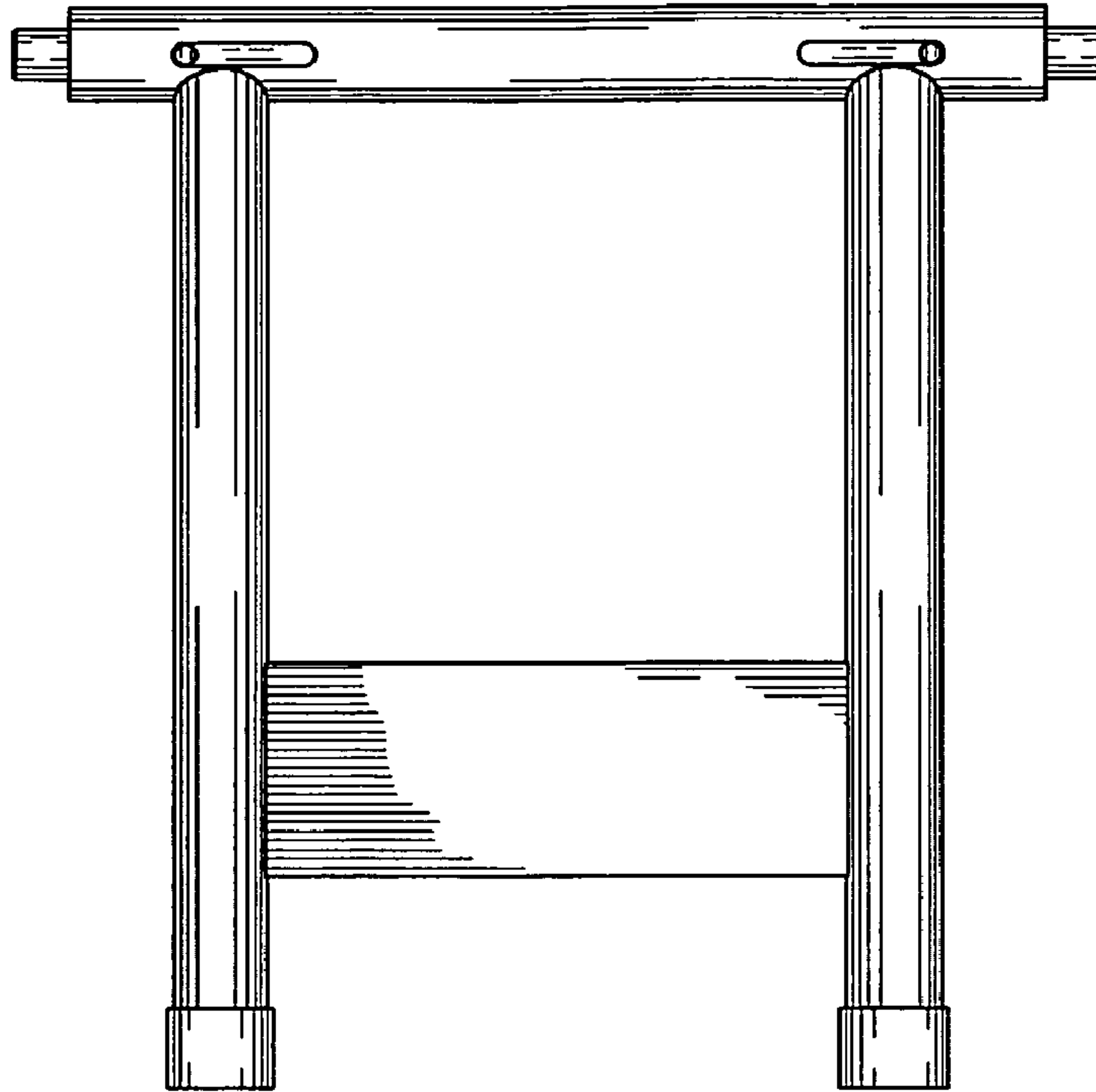


Fig. 14

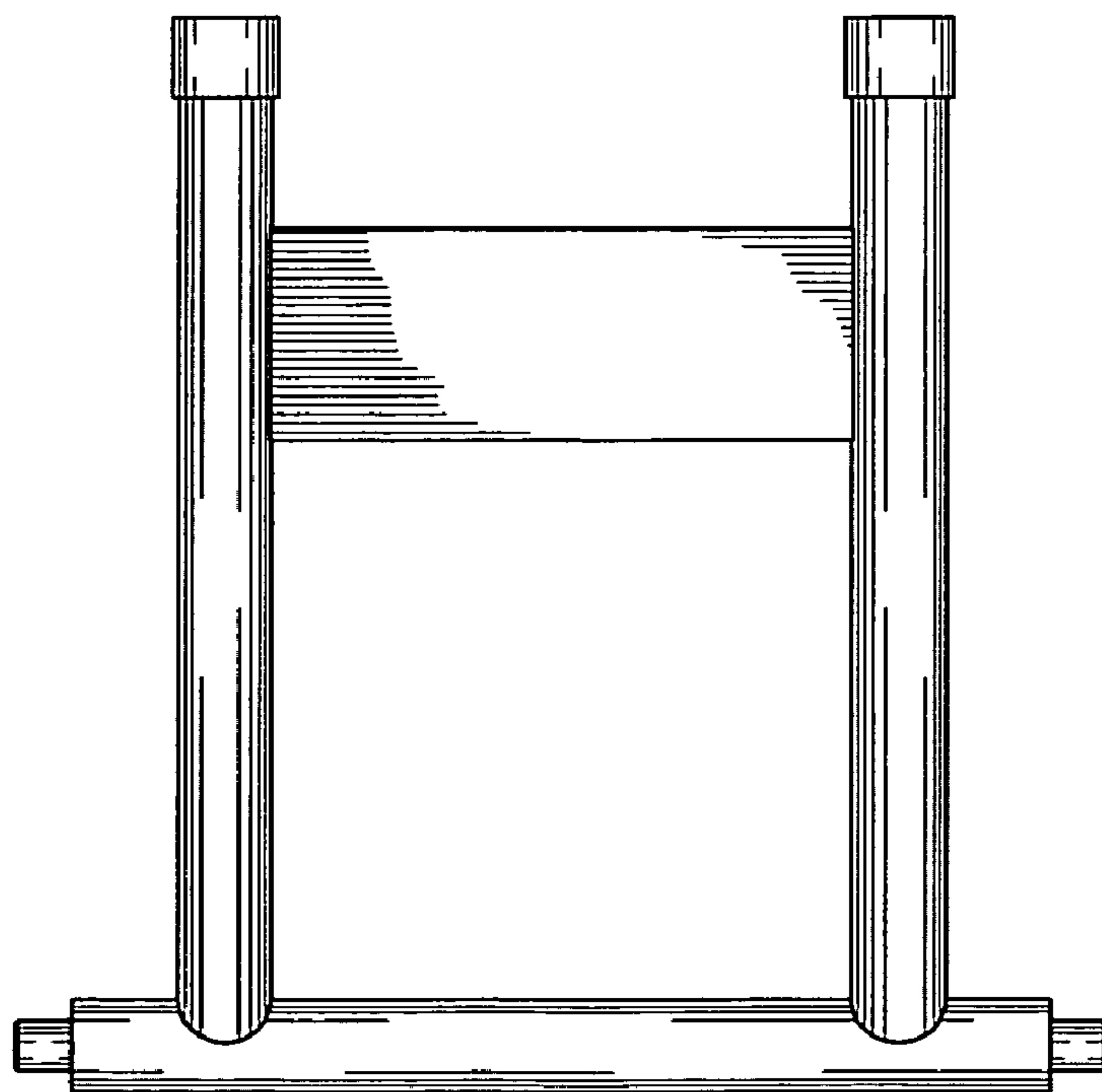


Fig. 15

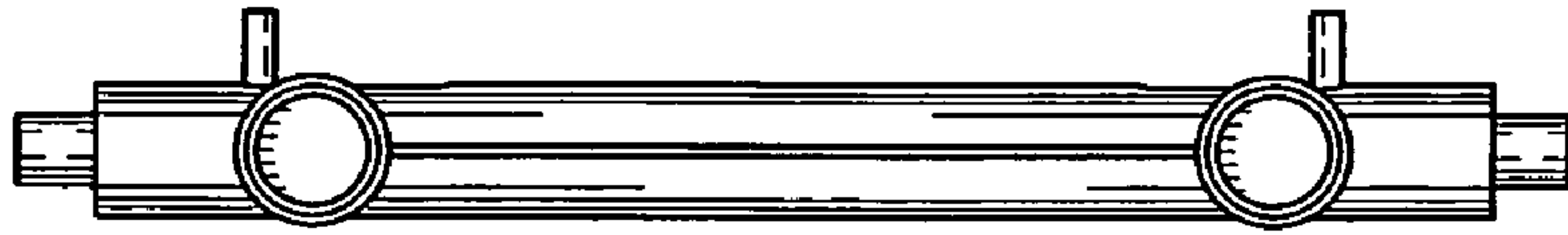


Fig. 16

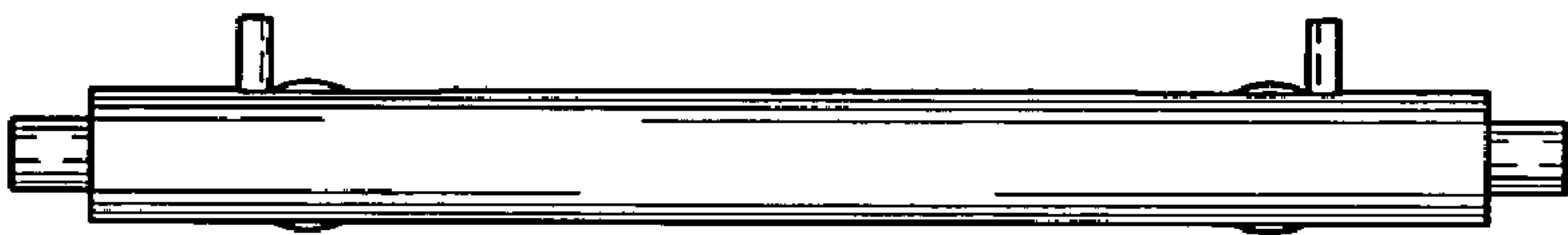


Fig. 17

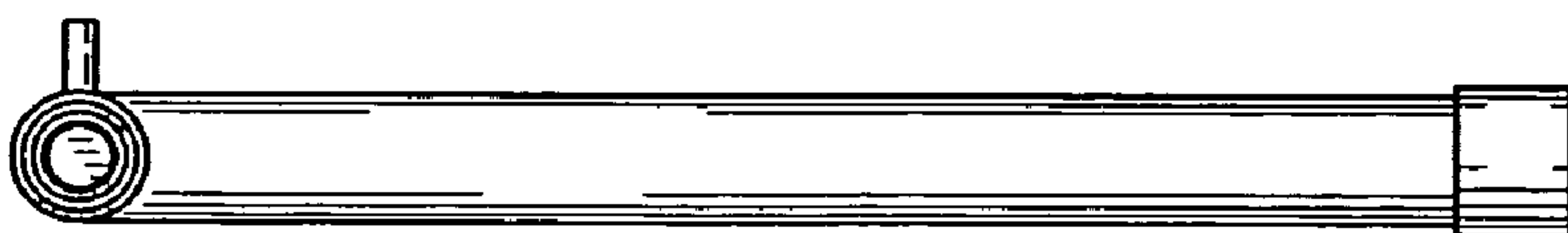


Fig. 18

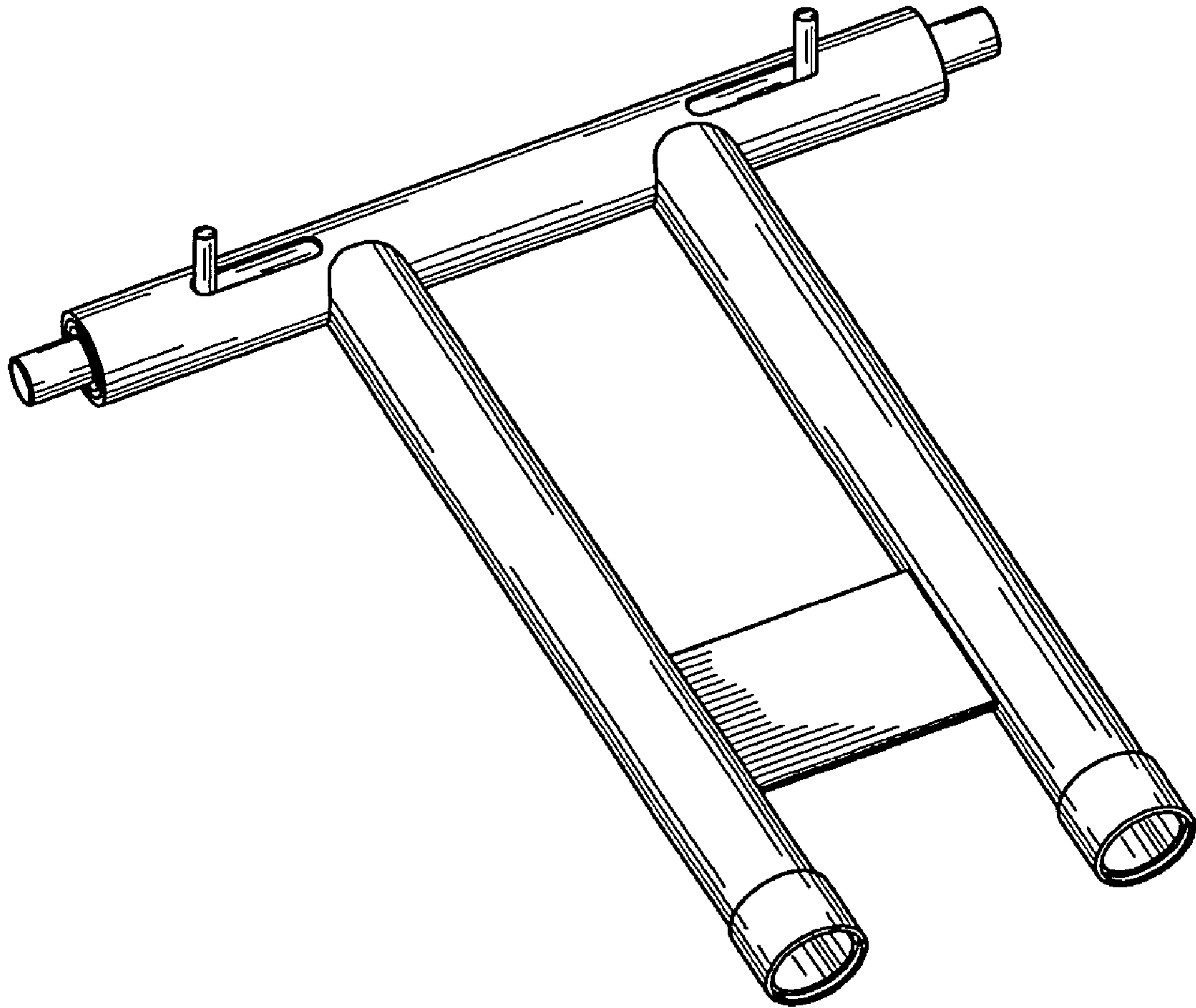


Fig. 19

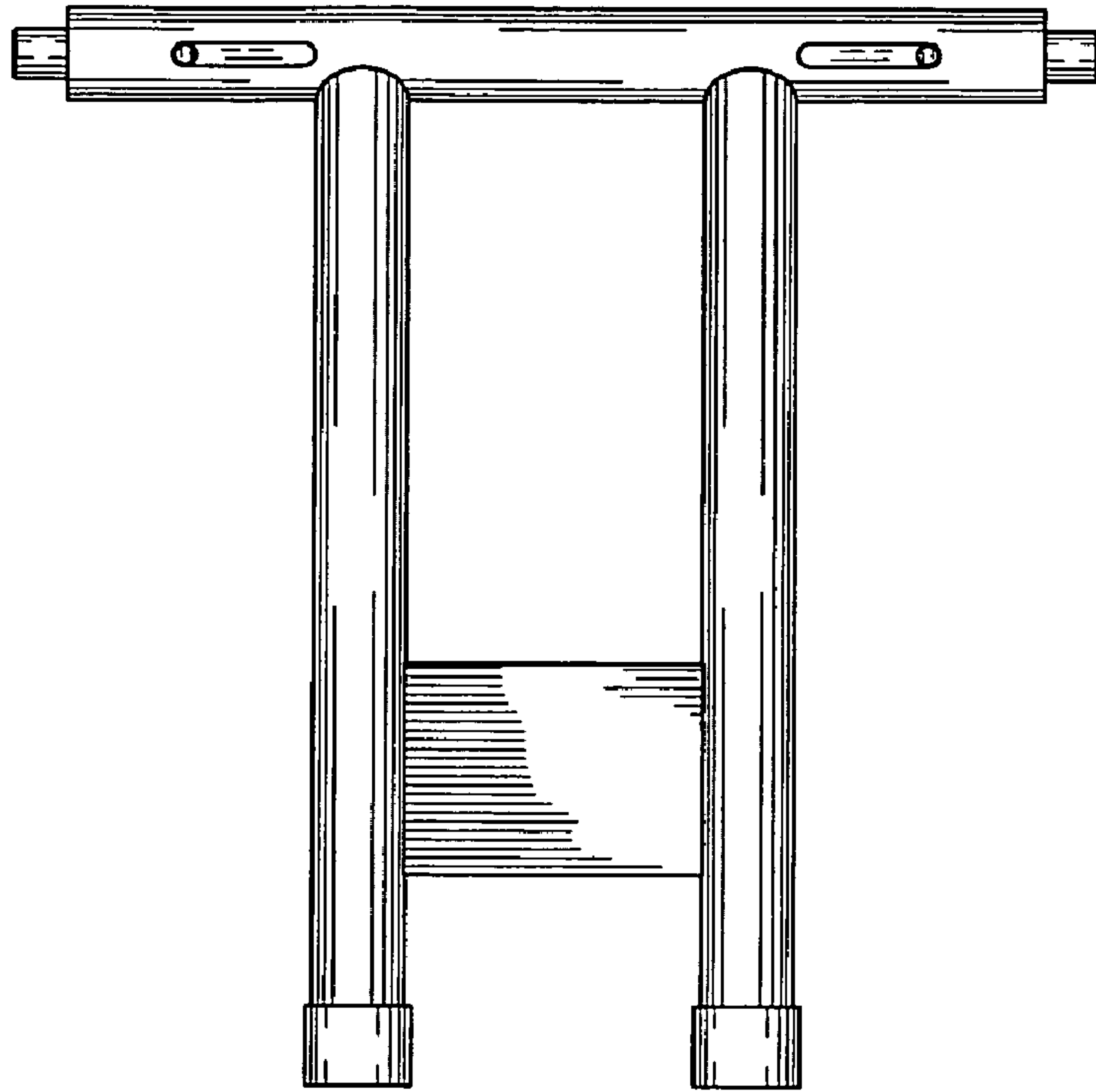


Fig. 20

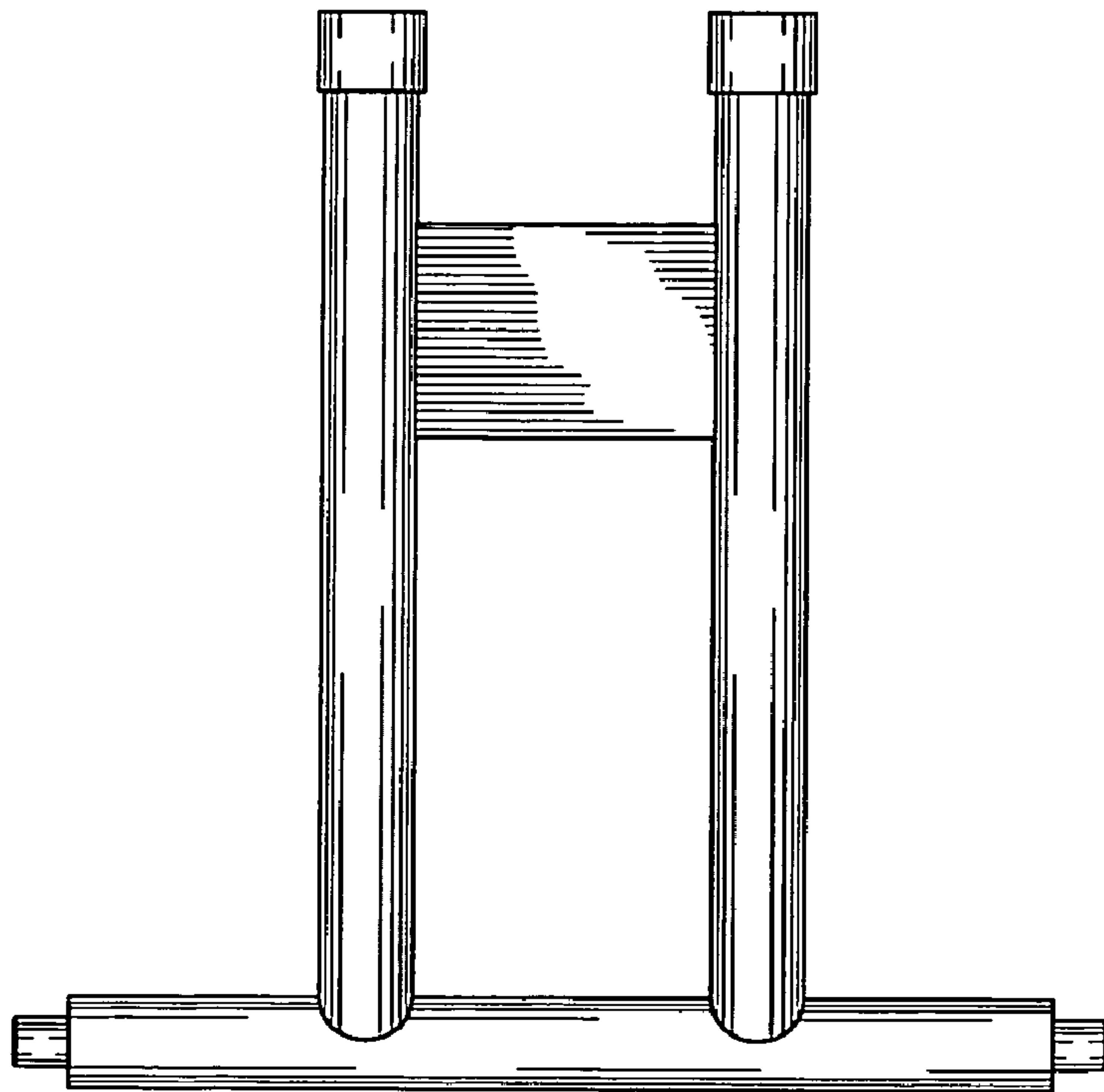


Fig. 21

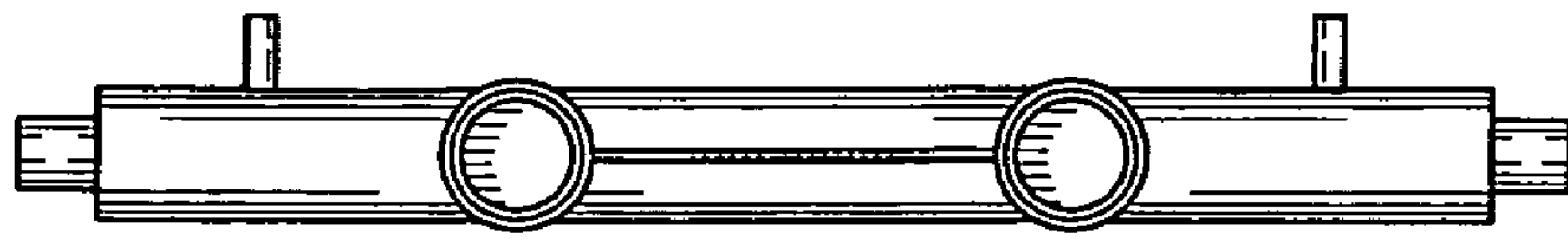


Fig. 22

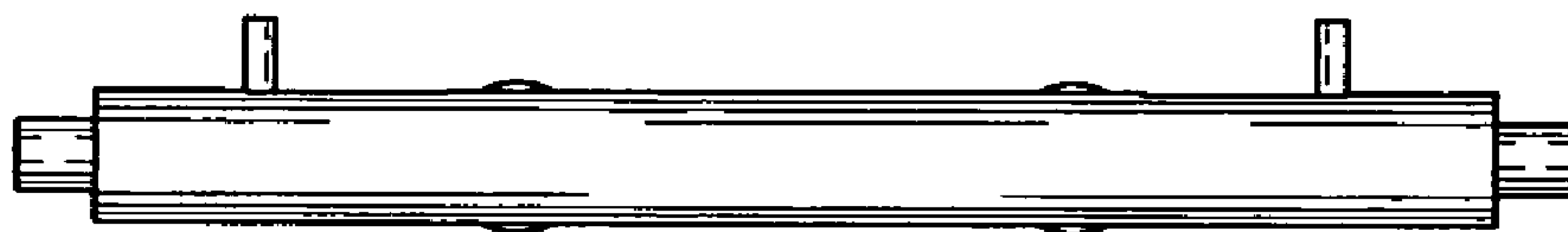


Fig. 23

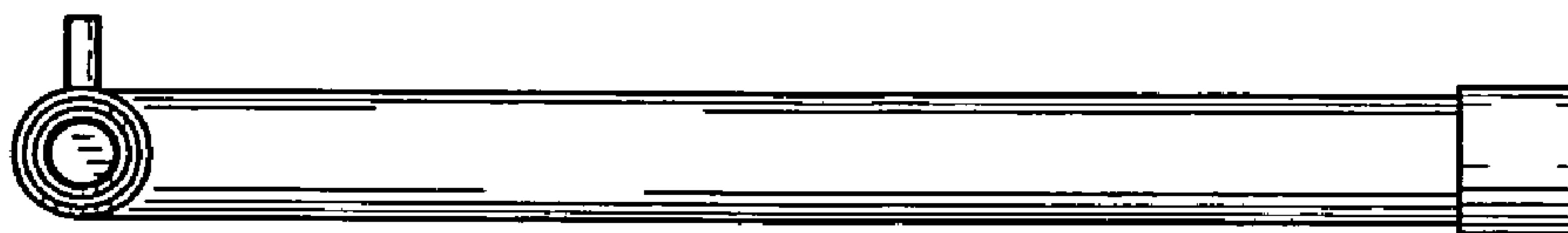


Fig. 24