



US00D625333S

(12) **United States Design Patent**
Tanaka et al.

(10) **Patent No.:** **US D625,333 S**
(45) **Date of Patent:** **** Oct. 12, 2010**

(54) **HUB MOTOR FOR ELECTRIC BICYCLE**

(75) Inventors: **Yosuke Tanaka**, Kobe (JP); **Katsuyuki Tomonaga**, Yokohama (JP)

(73) Assignee: **Sanyo Electric Co., Ltd.**, Moriguchi-shi (JP)

(**) Term: **14 Years**

(21) Appl. No.: **29/353,822**

(22) Filed: **Jan. 14, 2010**

(30) **Foreign Application Priority Data**

Jul. 14, 2009 (JP) 2009-015970

(51) **LOC (9) Cl.** **15-01**

(52) **U.S. Cl.** **D15/3; D12/111**

(58) **Field of Classification Search** D15/3,
D15/5, 1; D12/207, 111, 110, 204, 210,
D12/212, 213; 301/105.1, 110.5, 121, 1;
180/205-207, 216, 65.6, 214, 218, 215, 65.51;
280/212, 214, 230, 215

See application file for complete search history.

(56) **References Cited**

U.S. PATENT DOCUMENTS

D171,299 S * 1/1954 Honda D15/3
6,342,769 B1 * 1/2002 Birkestrand et al. 318/139
6,971,467 B2 * 12/2005 Katsaros 180/205
7,156,196 B2 * 1/2007 Katsaros 180/205

D539,718 S * 4/2007 Asano D12/207
D545,748 S * 7/2007 Okada et al. D12/207
D602,043 S * 10/2009 Linnig D15/5
7,721,835 B2 * 5/2010 Radtke 180/205
2008/0093913 A1 * 4/2008 Katsaros 301/1

* cited by examiner

Primary Examiner—Philip S Hyder

Assistant Examiner—Linda G. Brooks

(74) *Attorney, Agent, or Firm*—Westerman, Hattori, Daniels & Adrian, LLP

(57) **CLAIM**

The ornamental design for a hub motor for electric bicycle, as shown and described.

DESCRIPTION

FIG. 1 is a right, front perspective view of a hub motor for electric bicycle showing our new design;

FIG. 2 is a left, front perspective view thereof;

FIG. 3 is a right-side elevational view thereof;

FIG. 4 is a left-side elevational view thereof;

FIG. 5 is a rear elevational view thereof;

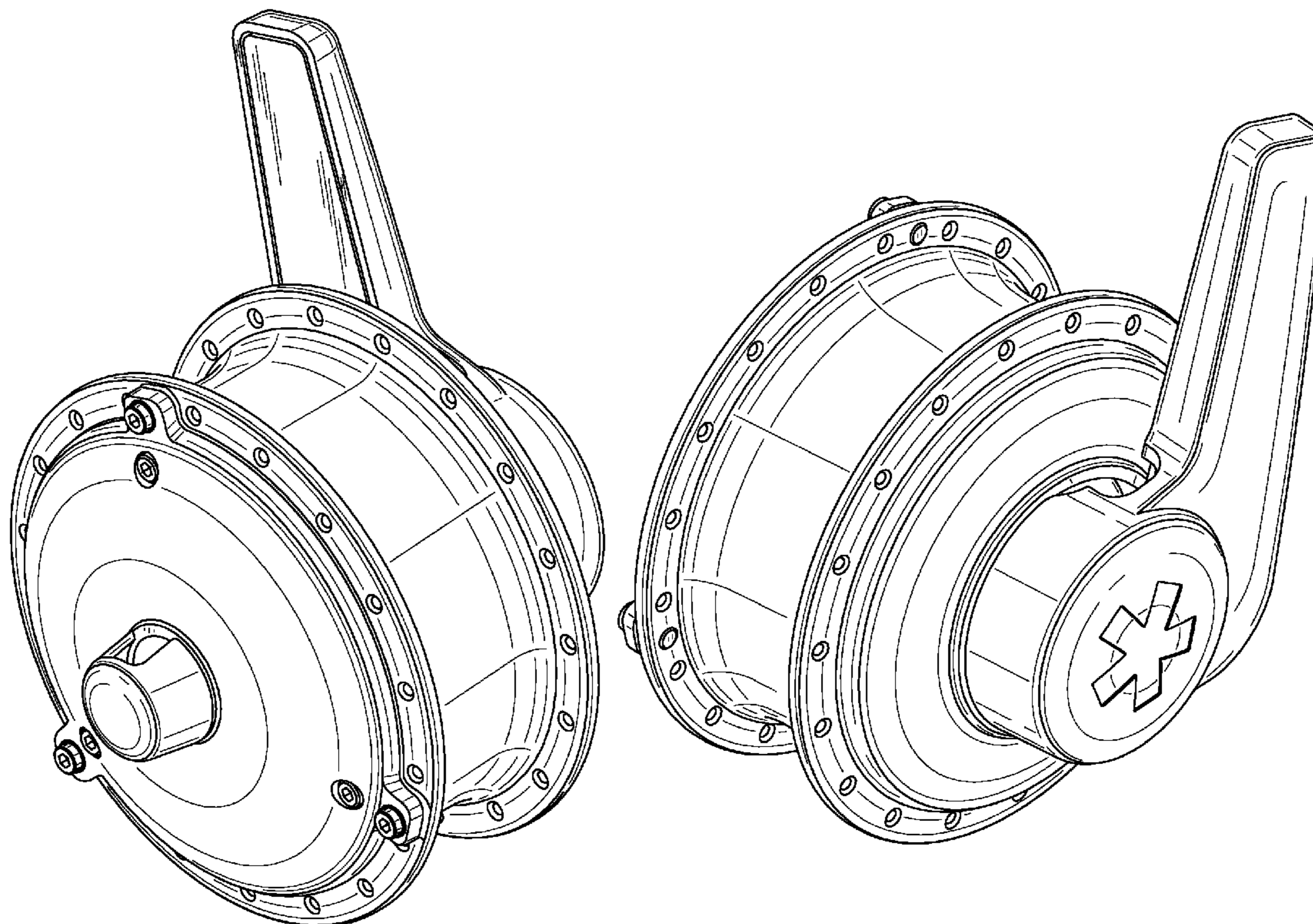
FIG. 6 is a front elevational view thereof;

FIG. 7 is a top plan view thereof;

FIG. 8 is a bottom plan view thereof; and,

FIG. 9 is a cross-sectional view thereof, taken along line 9—9 of FIG. 3, illustrating the outer surface shapes thereof.

1 Claim, 8 Drawing Sheets



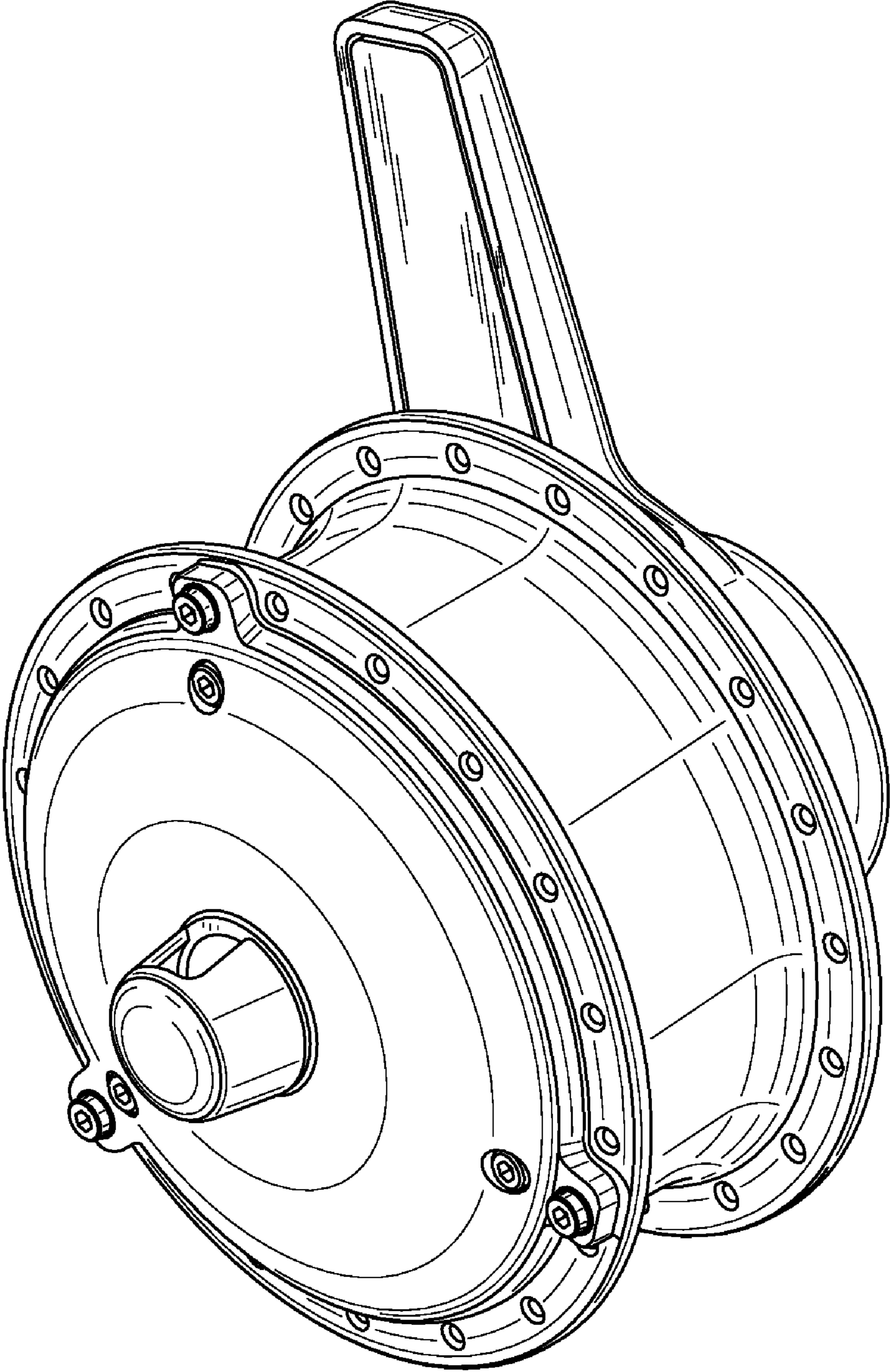


FIG. 1

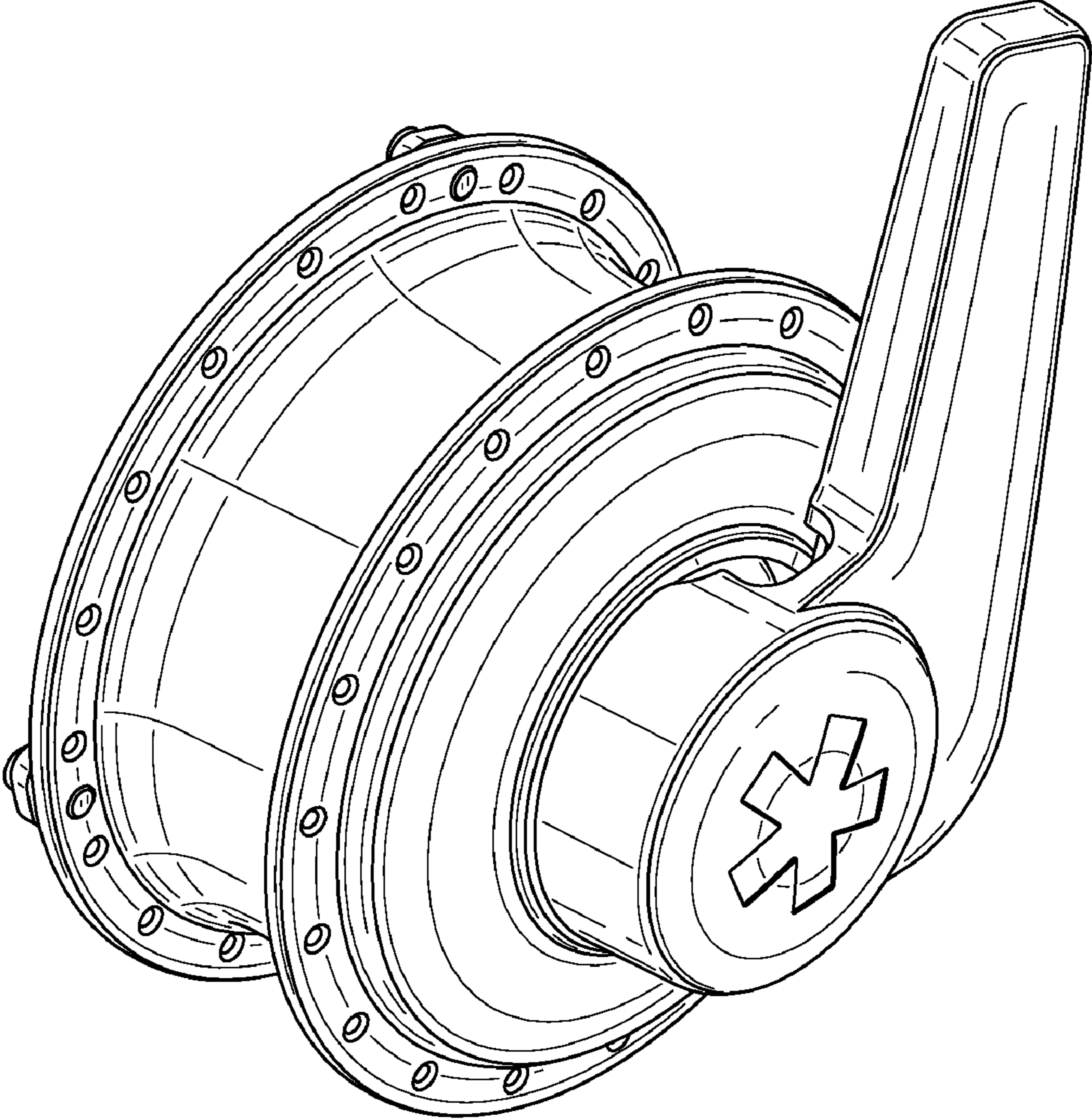


FIG. 2

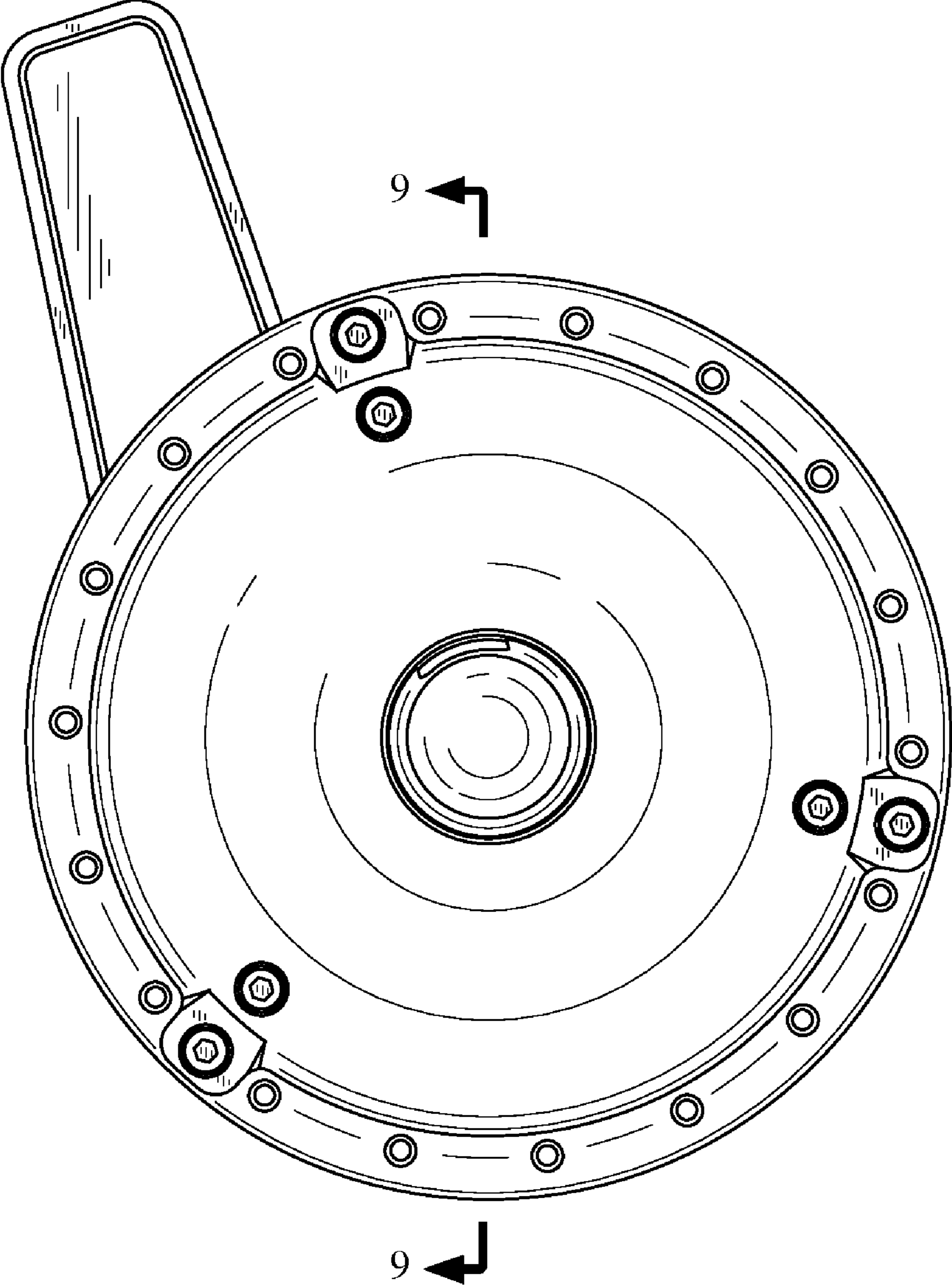


FIG. 3

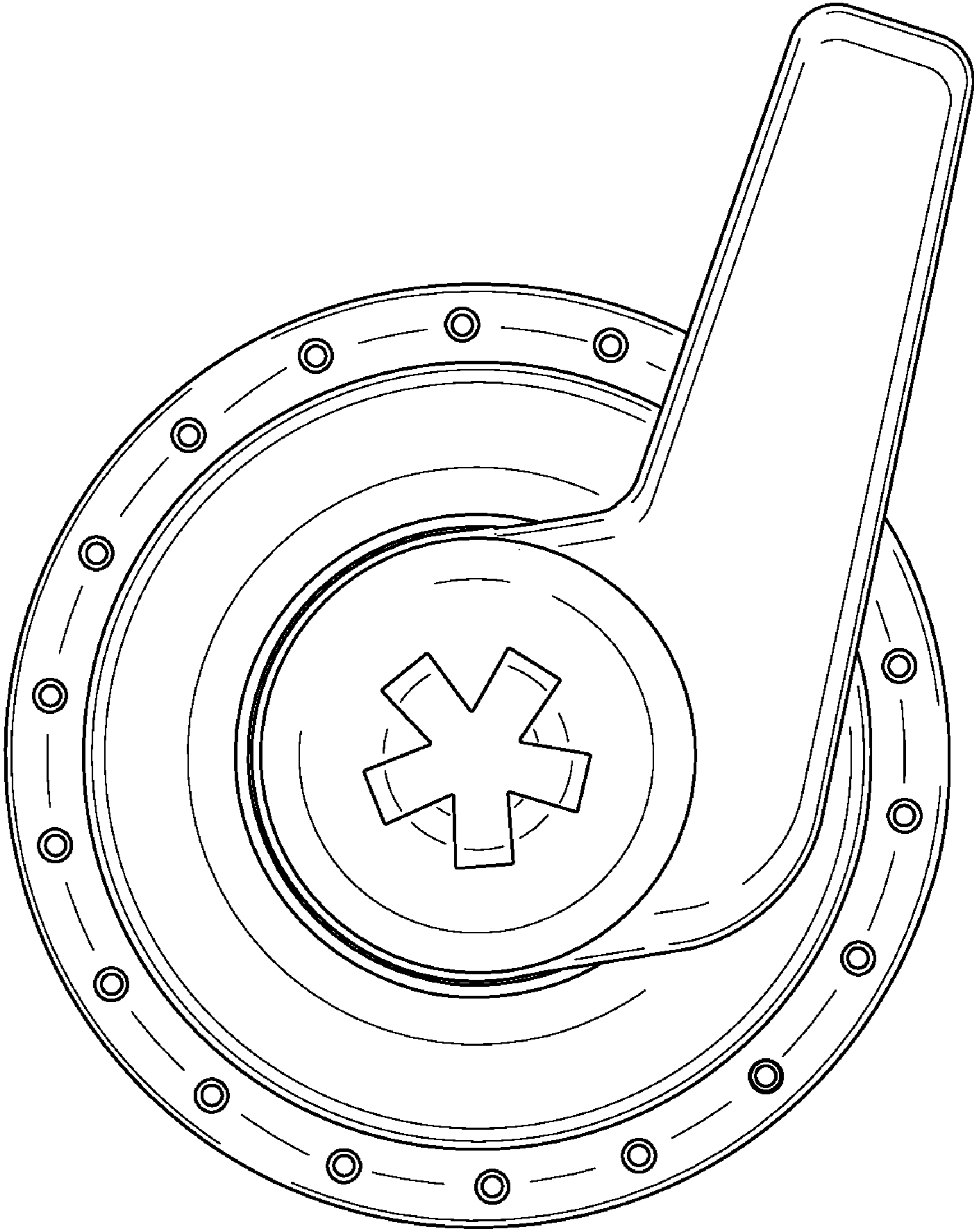


FIG. 4

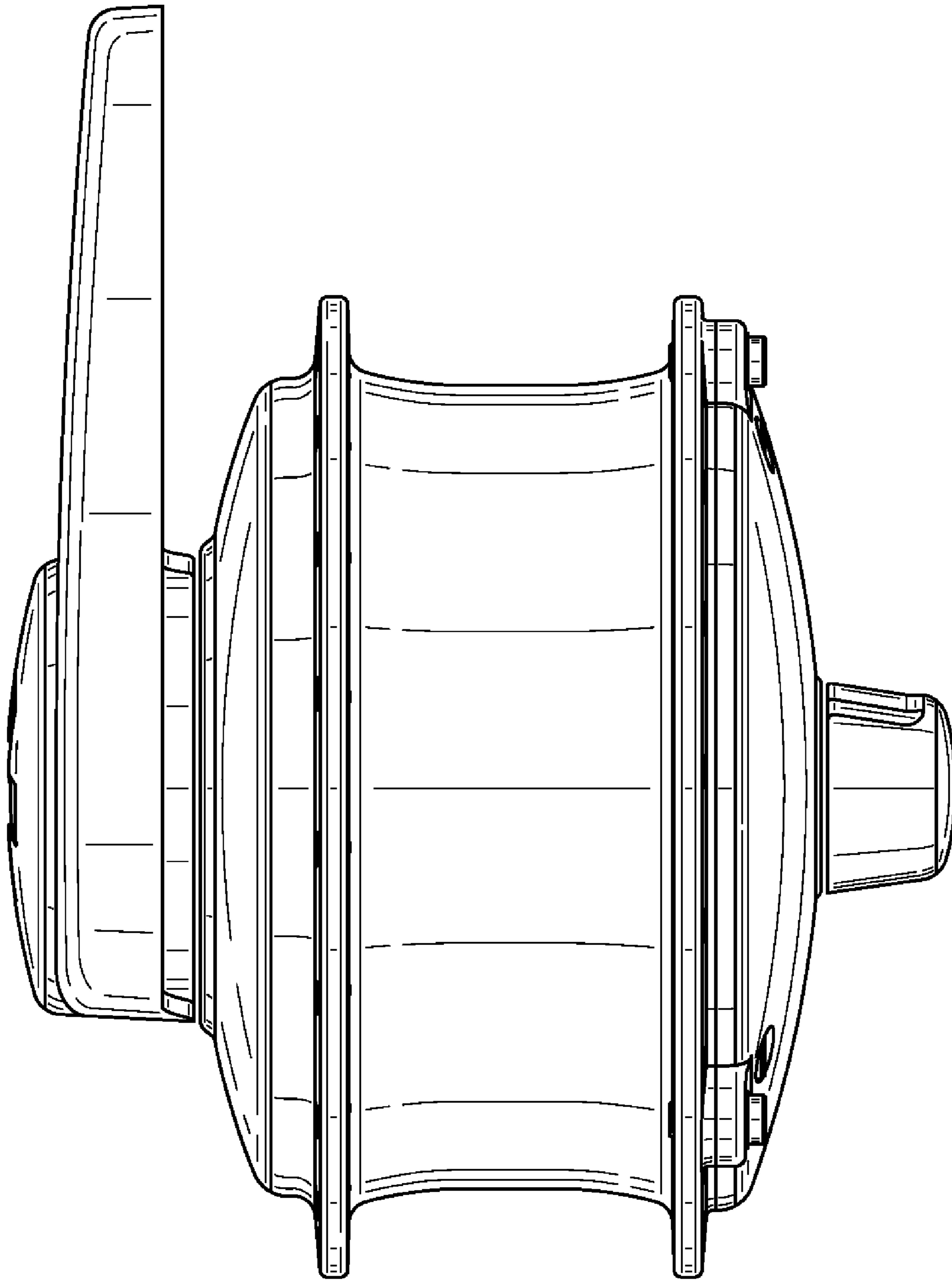


FIG. 5

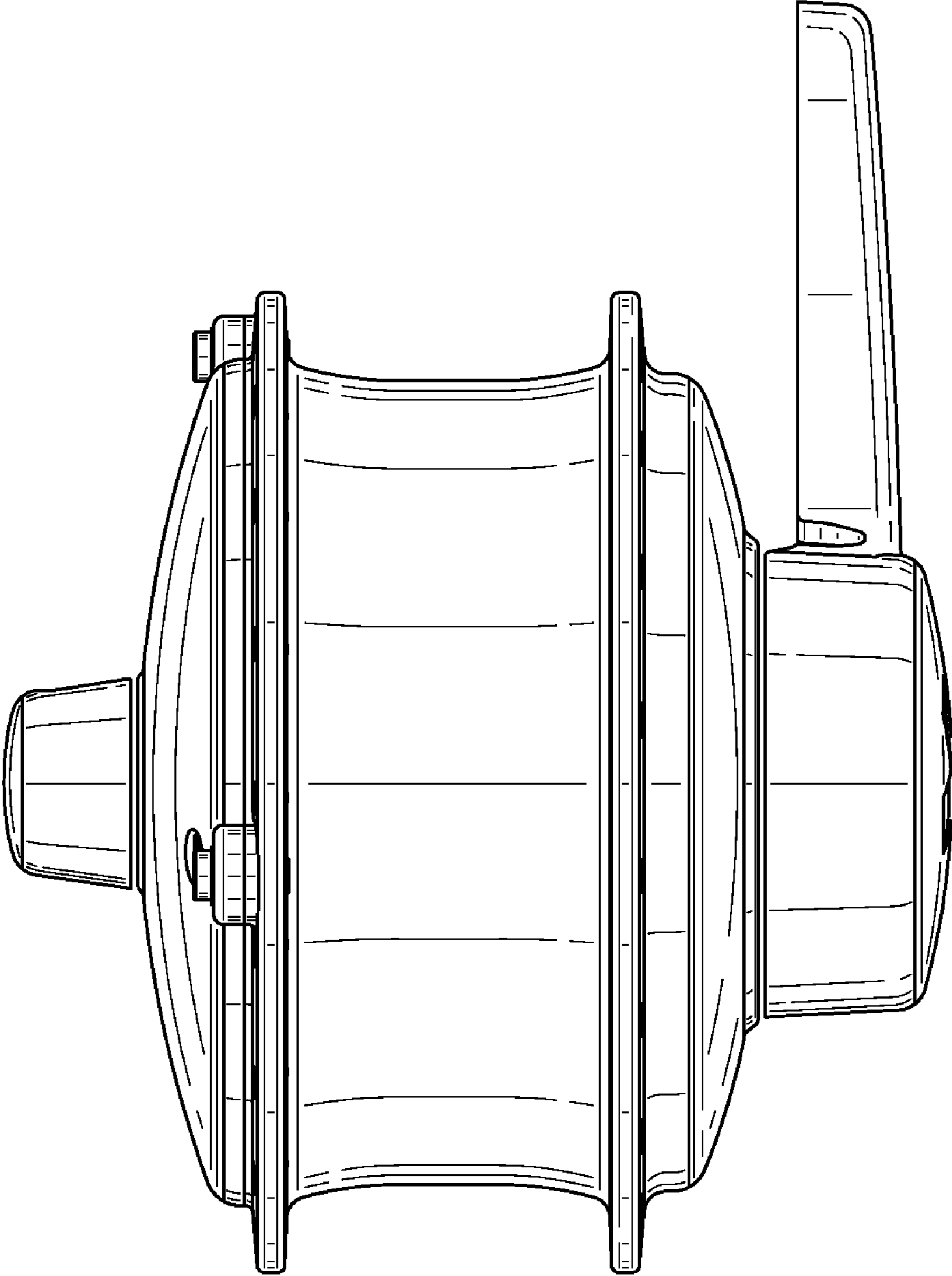


FIG. 6

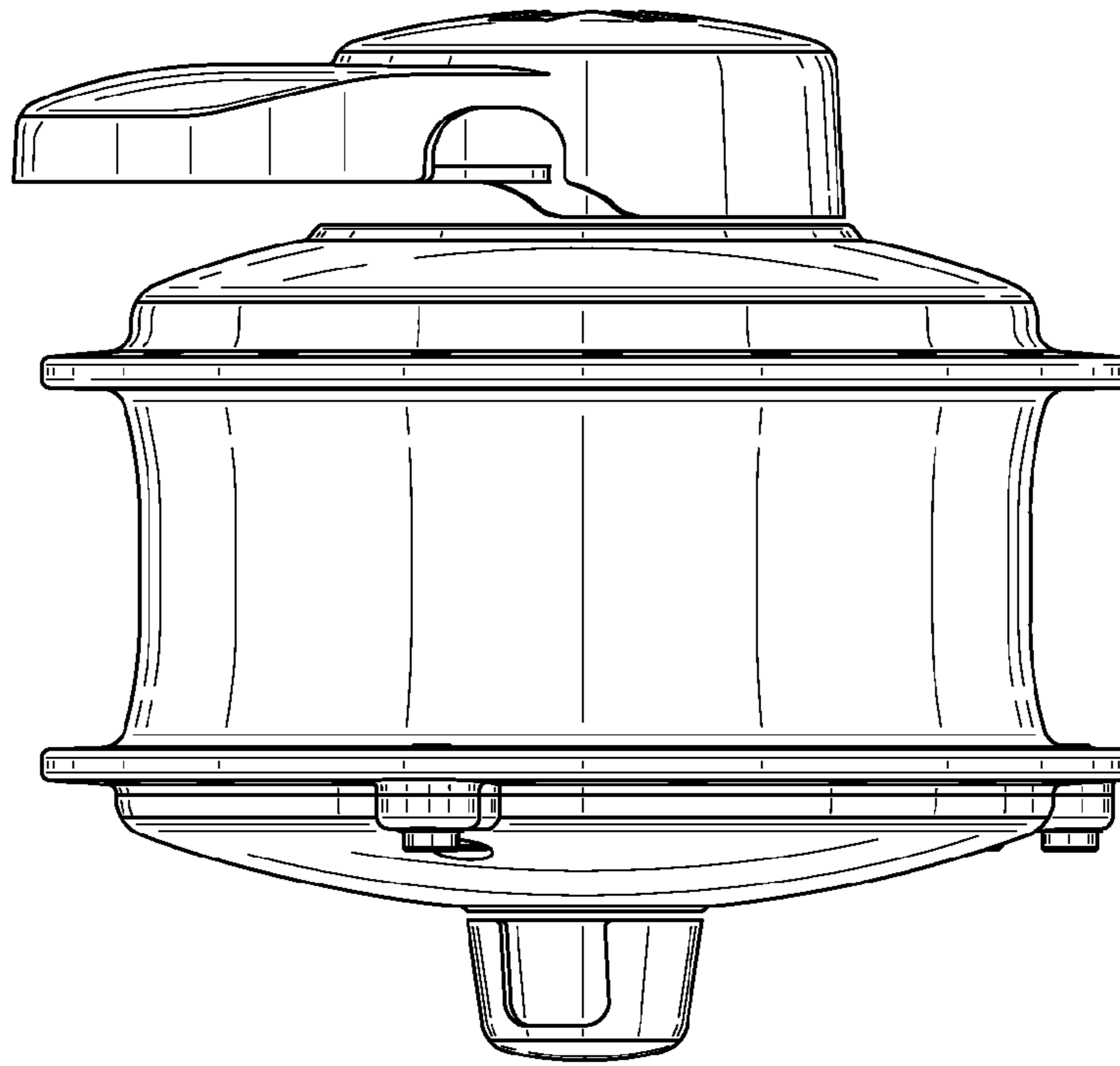


FIG. 7

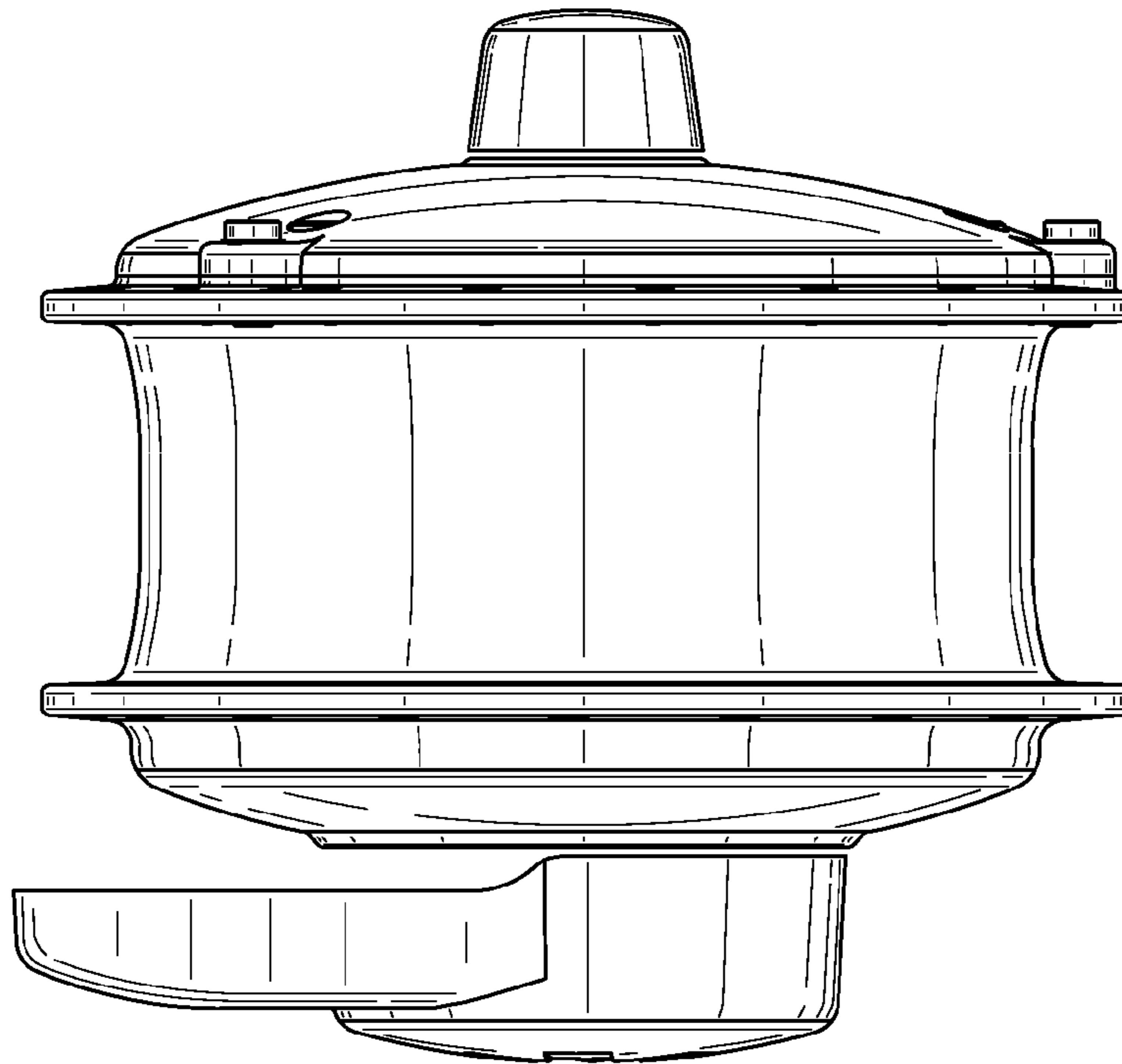


FIG. 8

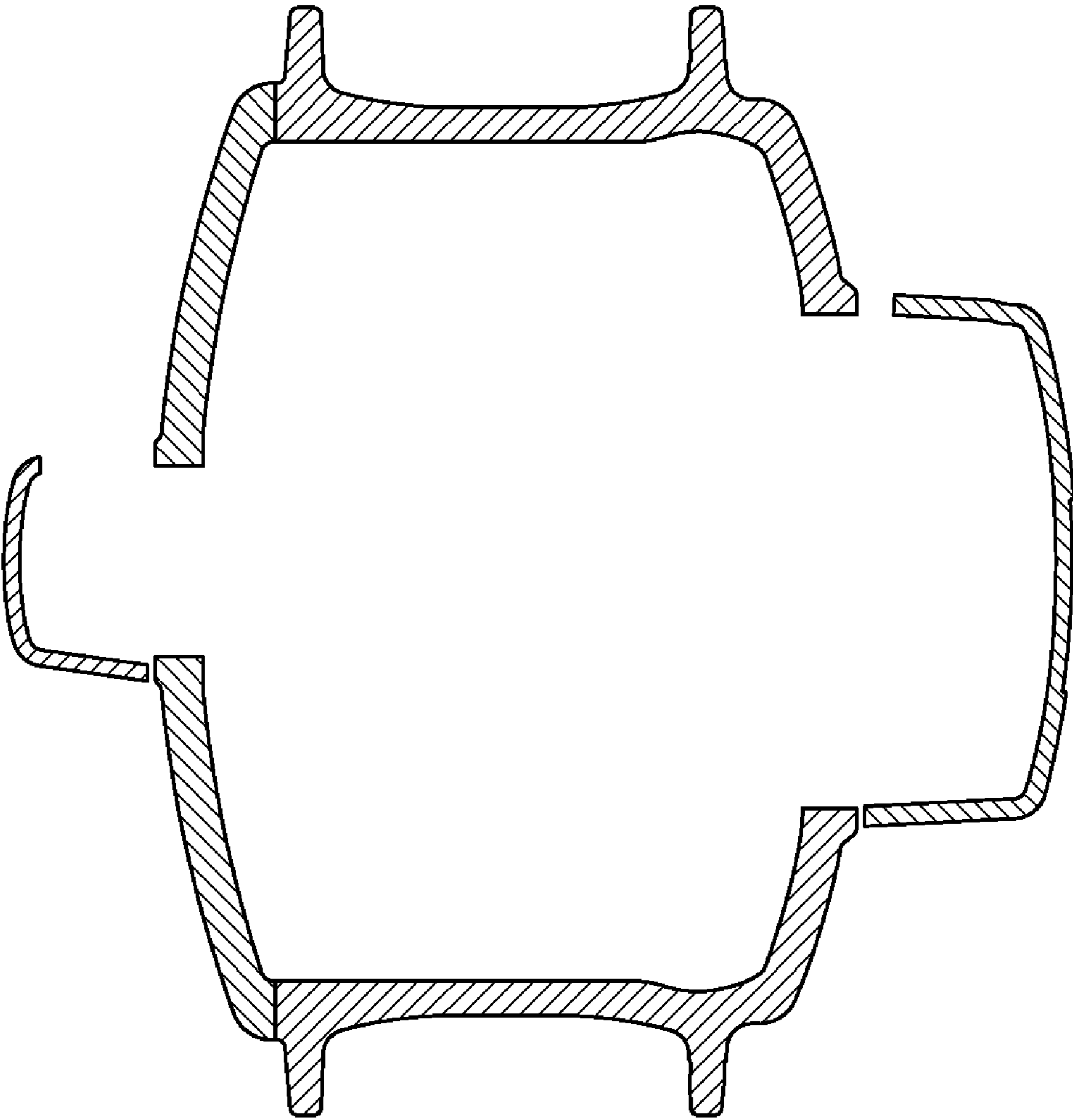


FIG. 9