

US00D625327S

(12) **United States Design Patent**  
**Fitzmaurice et al.**

(10) **Patent No.:** **US D625,327 S**

(45) **Date of Patent:** **\*\* \*Oct. 12, 2010**

(54) **ICON FOR A PORTION OF A DISPLAY SCREEN**

(75) Inventors: **George Fitzmaurice**, Ontario (CA); **Gord Kurtenbach**, Ontario (CA); **Justin Matejka**, Ontario (CA); **Marsha Leverock**, Ontario (CA); **Paul D. Vaters**, Ontario (CA)

(73) Assignee: **Autodesk, Inc.**, San Rafael, CA (US)

(\*) Notice: This patent is subject to a terminal disclaimer.

(\*\*) Term: **14 Years**

(21) Appl. No.: **29/309,691**

(22) Filed: **Sep. 26, 2008**

**Related U.S. Application Data**

(63) Continuation-in-part of application No. 12/200,373, filed on Aug. 28, 2008.

(51) **LOC (9) Cl.** ..... **14-04**

(52) **U.S. Cl.** ..... **D14/489**

(58) **Field of Classification Search** ..... D14/485-95; D18/24-33; D19/6, 52, 9, 10; D20/11; D21/324-33; 715/700-867, 973-77

See application file for complete search history.

(56) **References Cited**

**U.S. PATENT DOCUMENTS**

- D427,574 S 7/2000 Sawada et al.
- D464,360 S \* 10/2002 Grundel et al. .... D14/485
- D468,748 S 1/2003 Inagaki
- D474,197 S \* 5/2003 Nguyen ..... D14/486
- D474,198 S 5/2003 Barnes
- D475,062 S 5/2003 Horie
- D493,177 S \* 7/2004 Retuta et al. .... D14/486
- D493,471 S \* 7/2004 McIntosh ..... D14/485
- D506,474 S 6/2005 Gildred
- D554,654 S 11/2007 Waldeck
- D571,373 S 6/2008 Loehr et al.

- D573,600 S 7/2008 Kaminaga
- D593,107 S \* 5/2009 Shimoda et al. .... D14/485
- 2002/0122072 A1\* 9/2002 Selker ..... 345/834
- 2004/0135824 A1 7/2004 Fitzmaurice
- 2004/0141010 A1 7/2004 Fitzmaurice et al.
- 2005/0010955 A1\* 1/2005 Elia et al. .... 725/88
- 2005/0168488 A1 8/2005 Montague
- 2006/0161865 A1\* 7/2006 Scott et al. .... 715/810
- 2007/0174788 A1\* 7/2007 Ording ..... 715/816
- 2007/0256029 A1\* 11/2007 Maxwell ..... 715/834
- 2007/0261003 A1\* 11/2007 Reissmueller ..... 715/810

(Continued)

**OTHER PUBLICATIONS**

George Fitzmaurice et al., "Tracking menus", Symposium on User Interface Software and Technology, Proceedings of the 16<sup>th</sup> annual ACM symposium on User interface software and technology, 2003, pp. 71-79.

(Continued)

*Primary Examiner*—Melanie H Tung  
(74) *Attorney, Agent, or Firm*—Staas & Halsey LLP

(57) **CLAIM**

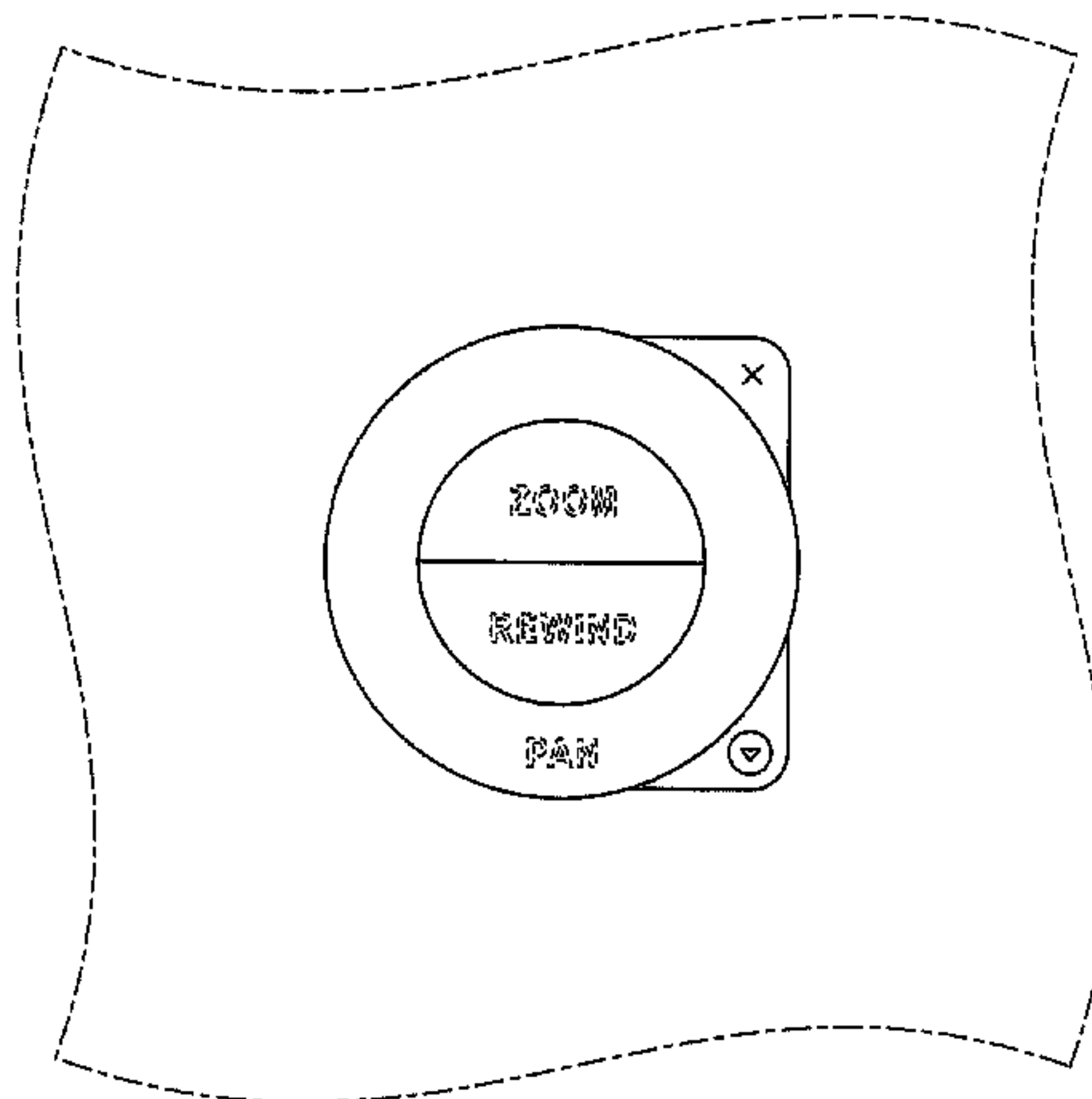
The ornamental design for an icon for a portion of a display screen, as shown and described.

**DESCRIPTION**

The FIGURE is front view of an icon for a portion of a display screen.

The broken line showing of a portion of a display screen and the text forms no part of the claimed design.

**1 Claim, 1 Drawing Sheet**



U.S. PATENT DOCUMENTS

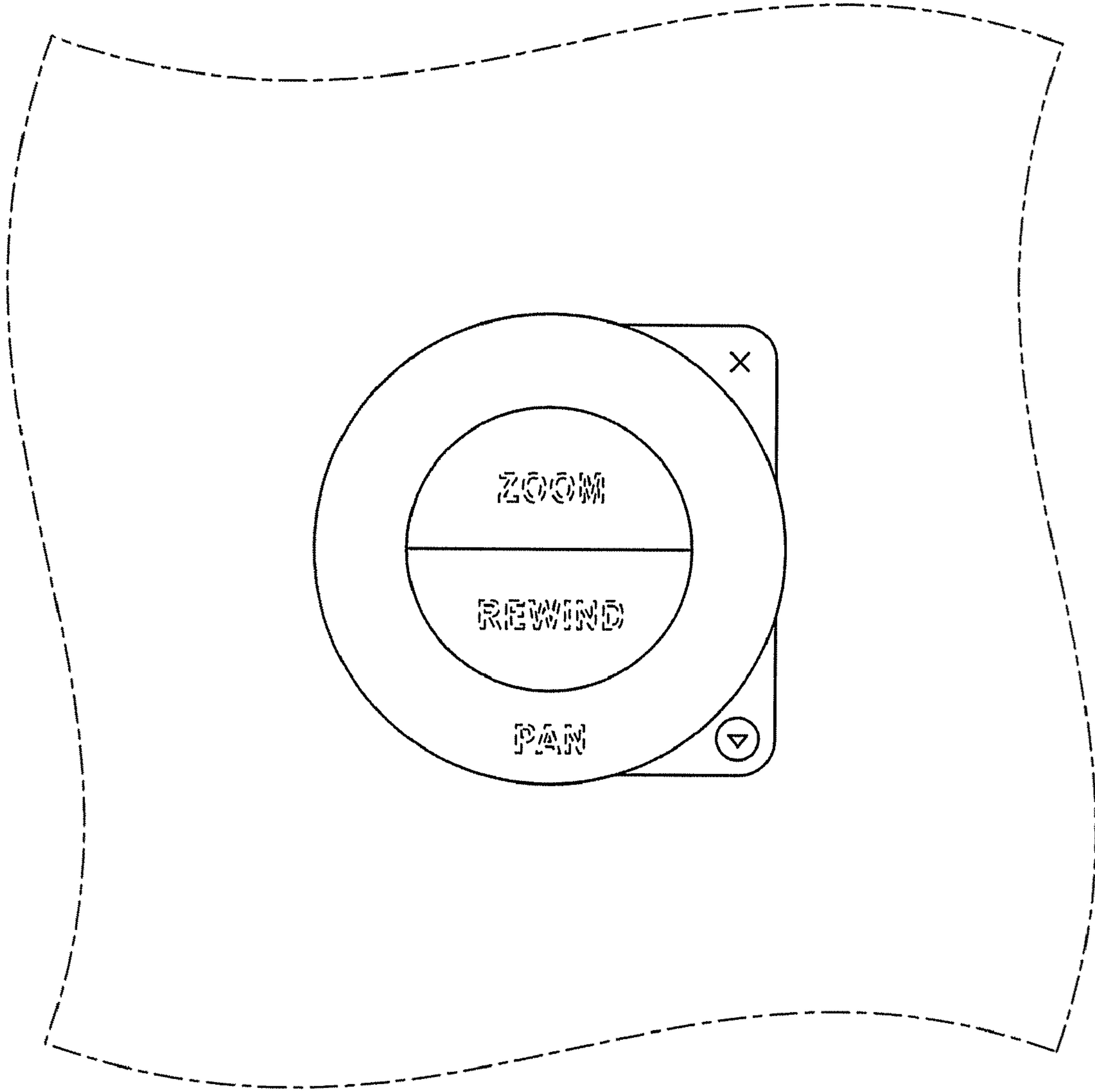
2007/0271528 A1\* 11/2007 Park et al. .... 715/810  
 2007/0300187 A1\* 12/2007 Hama et al. .... 715/830  
 2008/0016467 A1 1/2008 Chambers et al.  
 2009/0019397 A1\* 1/2009 Buffet et al. .... 715/837  
 2009/0079590 A1\* 3/2009 Hiraoka ..... 340/984  
 2009/0083665 A1\* 3/2009 Anttila et al. .... 715/834

OTHER PUBLICATIONS

U.S. Appl. No. 12/200,278, filed Aug. 28, 2008, Fitzmaurice, et al.  
 U.S. Appl. No. 12/200,355, filed Aug. 28, 2008, Fitzmaurice, et al.  
 U.S. Appl. No. 12/200,340, filed Aug. 28, 2008, Fitzmaurice, et al.  
 U.S. Appl. No. 12/200,333, filed Aug. 28, 2008, Fitzmaurice, et al.  
 U.S. Appl. No. 12/200,346, filed Aug. 28, 2008, Fitzmaurice, et al.  
 U.S. Appl. No. 12/200,485, filed Aug. 28, 2008, Fitzmaurice, et al.  
 U.S. Appl. No. 12/200,327, filed Aug. 28, 2008, Fitzmaurice, et al.  
 U.S. Appl. No. 12/200,309, filed Aug. 28, 2008, Fitzmaurice, et al.  
 U.S. Appl. No. 12/200,440, filed Aug. 28, 2008, Fitzmaurice, et al.  
 U.S. Appl. No. 12/200,475, filed Aug. 28, 2008, Fitzmaurice, et al.  
 U.S. Appl. No. 12/200,373, filed Aug. 28, 2008, Fitzmaurice, et al.  
 U.S. Appl. No. 12/200,429, filed Aug. 28, 2008, Fitzmaurice, et al.  
 U.S. Appl. No. 12/200,449, filed Aug. 28, 2008, Fitzmaurice, et al.  
 U.S. Appl. No. 12/200,319, filed Aug. 28, 2008, Fitzmaurice, et al.  
 U.S. Appl. No. 12/200,458, filed Aug. 28, 2008, Fitzmaurice, et al.  
 U.S. Appl. No. 12/200,480, filed Aug. 28, 2008, Fitzmaurice, et al.  
 U.S. Appl. No. 12/200,421, filed Aug. 28, 2008, Fitzmaurice, et al.

U.S. Appl. No. 29/309,689, filed Sep. 26, 2008, Fitzmaurice, et al.  
 U.S. Appl. No. 29/309,693, filed Sep. 26, 2008, Fitzmaurice, et al.  
 U.S. Appl. No. 29/309,692, filed Sep. 26, 2008, Fitzmaurice, et al.  
 U.S. Appl. No. 29/309,686, filed Sep. 26, 2008, Fitzmaurice, et al.  
 U.S. Appl. No. 29/309,685, filed Sep. 26, 2008, Fitzmaurice, et al.  
 U.S. Appl. No. 29/309,690, filed Sep. 26, 2008, Fitzmaurice, et al.  
 Office Action mailed Sep. 28, 2009 in co-pending U.S. Appl. No. 29/309,689.  
 Office Action mailed Sep. 28, 2009 in co-pending U.S. Appl. No. 29/309,693.  
 Office Action mailed Sep. 28, 2009 in co-pending U.S. Appl. No. 29/309,692.  
 Office Action mailed Oct. 1, 2009 in co-pending U.S. Appl. No. 29/309,690.  
 Office Action mailed Nov. 12, 2009 in co-pending U.S. Appl. No. 29/309,685.  
 Office Action mailed Nov. 23, 2009 in co-pending U.S. Appl. No. 29/309,686.  
 Office Action mailed Apr. 2, 2010 in co-pending U.S. Appl. No. 29/309,690.  
 Office Action mailed Apr. 5, 2010 in co-pending U.S. Appl. No. 29/309,689.  
 Office Action mailed Apr. 2, 2010 in co-pending U.S. Appl. No. 29/309,693.  
 Office Action mailed Apr. 2, 2010 in co-pending U.S. Appl. No. 29/309,692.

\* cited by examiner



FIGURE