



US00D625326S

(12) **United States Design Patent**  
**Allen**

(10) **Patent No.:** **US D625,326 S**  
(45) **Date of Patent:** **\*\* Oct. 12, 2010**

- (54) **ANIMATED IMAGE FOR A DISPLAY SCREEN**
  - (75) Inventor: **Andrew Allen**, Seattle, WA (US)
  - (73) Assignee: **Microsoft Corporation**, Redmond, WA (US)
  - (\*\*) Term: **14 Years**
  - (21) Appl. No.: **29/354,024**
  - (22) Filed: **Jan. 19, 2010**
  - (51) **LOC (9) Cl.** ..... **14-04**
  - (52) **U.S. Cl.** ..... **D14/488**
  - (58) **Field of Classification Search** ..... D14/485-95;  
D18/24-33; D20/6, 52; D21/324-33; 715/700-867,  
715/973-77
- See application file for complete search history.

(56) **References Cited**

**U.S. PATENT DOCUMENTS**

D331,229 S *	11/1992	Pike	.....	D20/11
D394,052 S *	5/1998	Meade	.....	D14/493
D428,615 S *	7/2000	Hwang et al.	.....	D14/495
D509,222 S *	9/2005	Hernandez et al.	.....	D14/493
D554,664 S *	11/2007	Van Dongen et al.	.....	D14/492
D606,079 S *	12/2009	Hoang	.....	D14/485
D614,664 S *	4/2010	Barcheck et al.	.....	D14/493
D615,992 S *	5/2010	Baughner et al.	.....	D14/493
D619,146 S *	7/2010	Flik et al.	.....	D14/493
D620,023 S *	7/2010	Flik et al.	.....	D14/493

\* cited by examiner

*Primary Examiner*—Melanie H Tung  
(74) *Attorney, Agent, or Firm*—Banner & Witcoff, Ltd.

(57) **CLAIM**

The ornamental design for an animated image for a display screen, as shown and described.

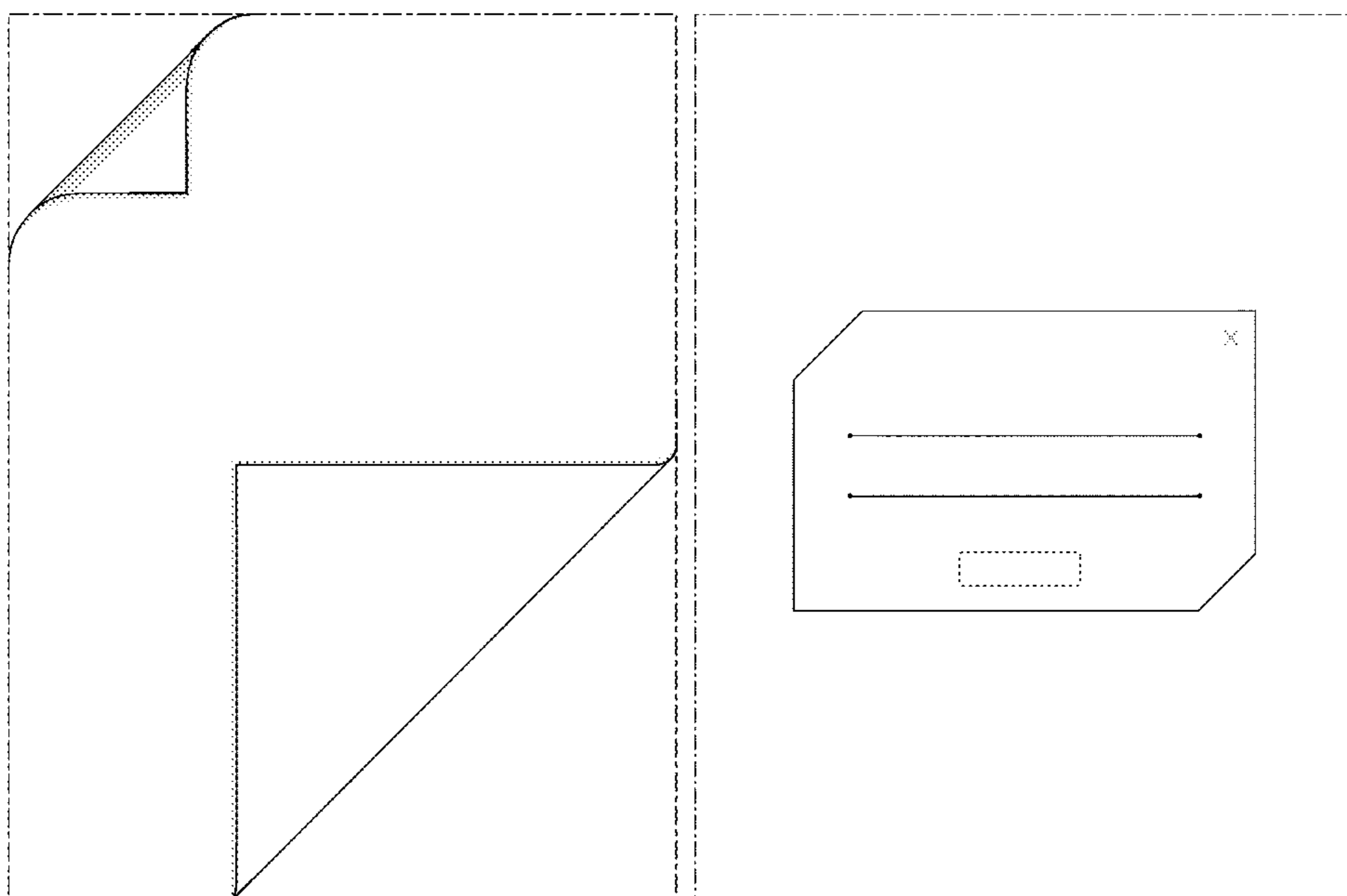
**DESCRIPTION**

FIG. 1 is a first image in the sequence for an animated image for a display screen showing the new design;

FIG. 2 is the second image thereof;  
 FIG. 3 is the third image thereof;  
 FIG. 4 is the fourth image thereof;  
 FIG. 5 is the fifth image thereof;  
 FIG. 6 is the sixth image thereof;  
 FIG. 7 is the seventh image thereof;  
 FIG. 8 is the eighth image thereof;  
 FIG. 9 is the ninth image thereof;  
 FIG. 10 is the tenth image thereof;  
 FIG. 11 is the eleventh image thereof;  
 FIG. 12 is the twelfth image thereof;  
 FIG. 13 is the thirteenth image thereof;  
 FIG. 14 is the fourteenth image thereof;  
 FIG. 15 is the fifteenth image thereof;  
 FIG. 16 is the sixteenth image thereof;  
 FIG. 17 is the seventeenth image thereof;  
 FIG. 18 is the eighteenth image thereof;  
 FIG. 19 is the nineteenth image thereof;  
 FIG. 20 is the twentieth image thereof; and,  
 FIG. 21 is the twenty first image thereof.

The appearance of the animated image sequentially transitions between the images shown in FIGS. 1-21. The process or period in which one image transitions to another forms no part of the claimed design. The even length broken line showings of an X and a rectangle in FIGS. 19-21 form no part of the claimed design. The uneven length broken line showing of the display screen is for environmental purposes and forms no part of the claimed design.

**1 Claim, 21 Drawing Sheets**



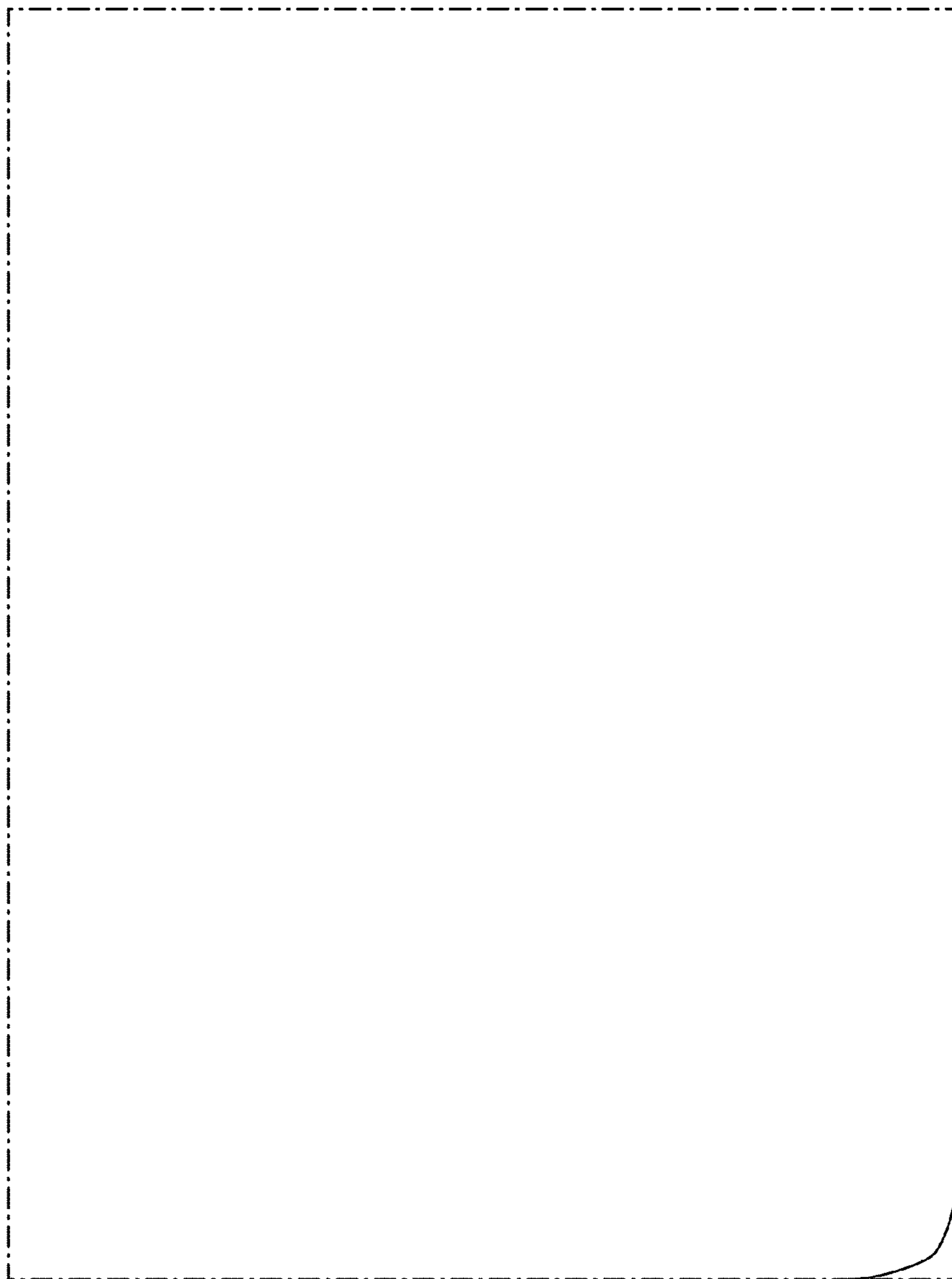


FIG. 1

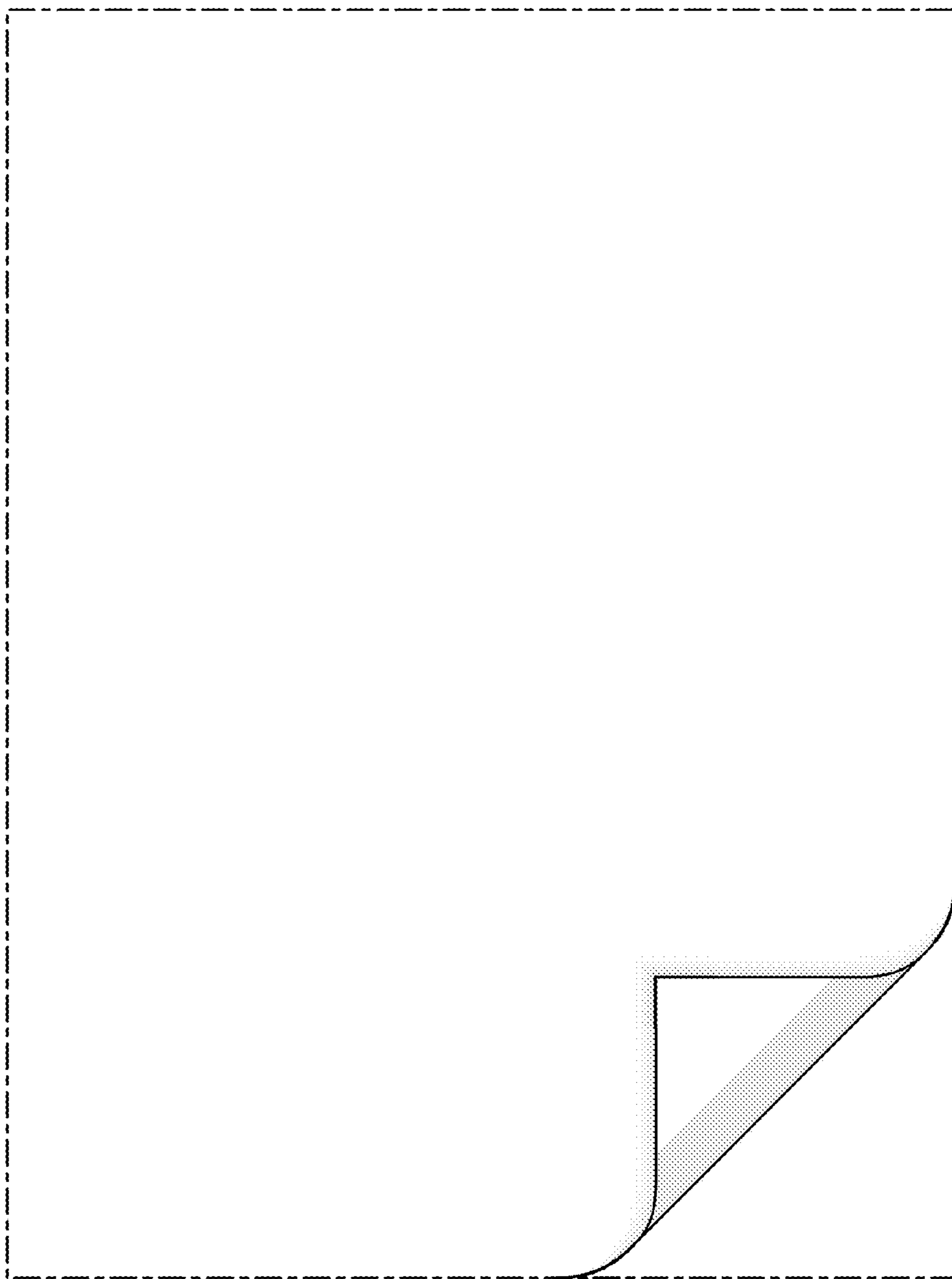


FIG. 2

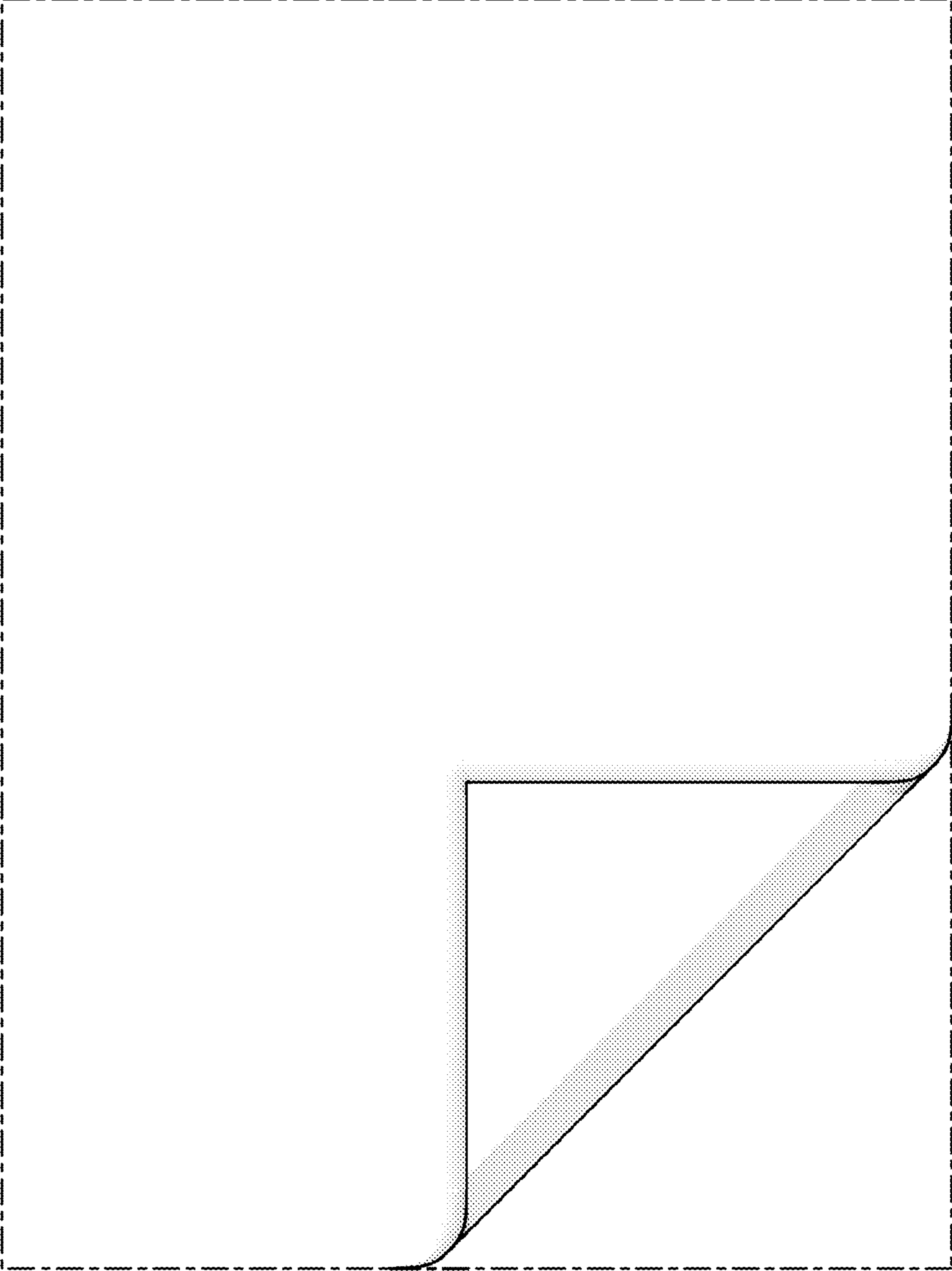


FIG. 3

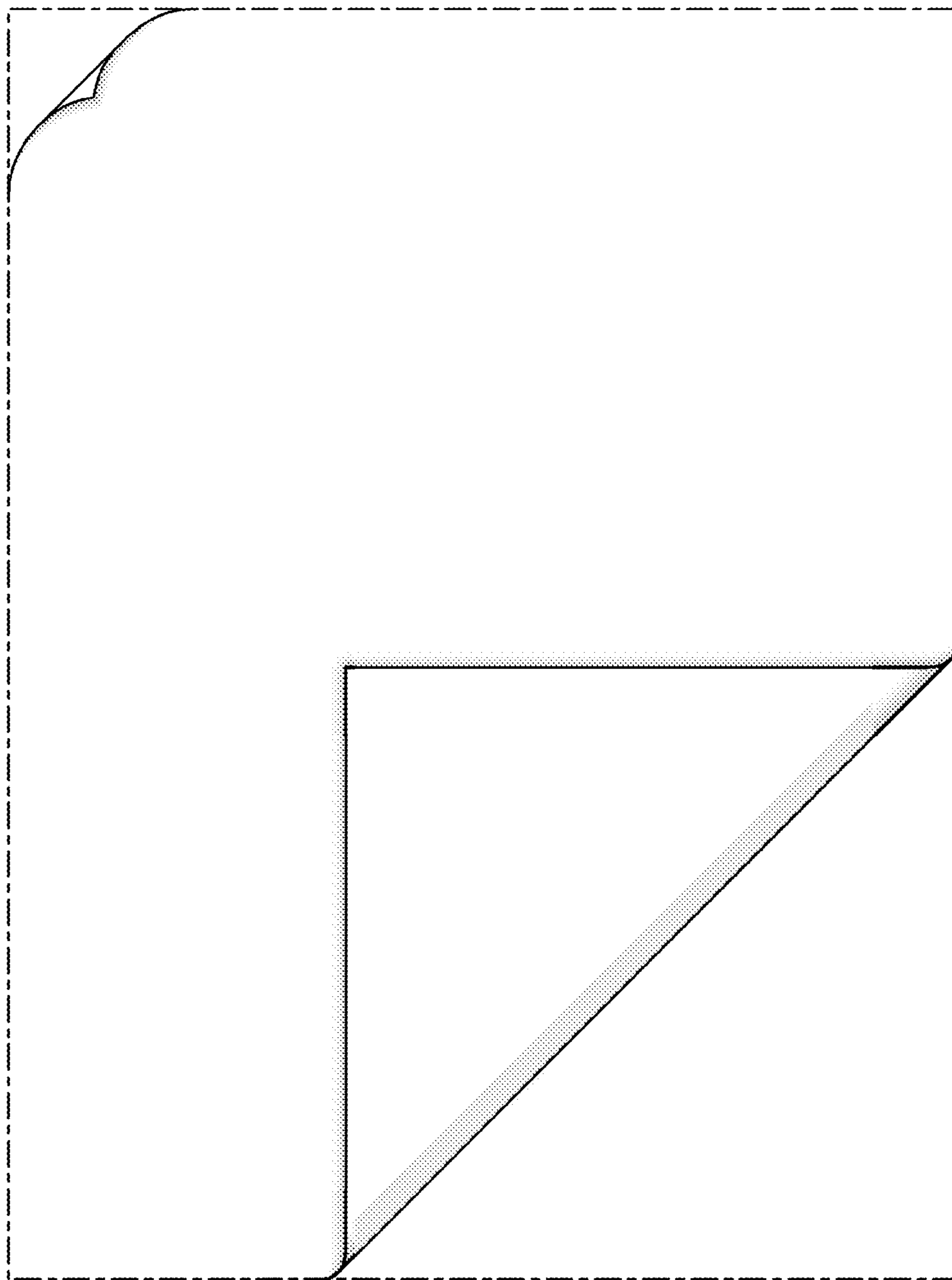


FIG. 4

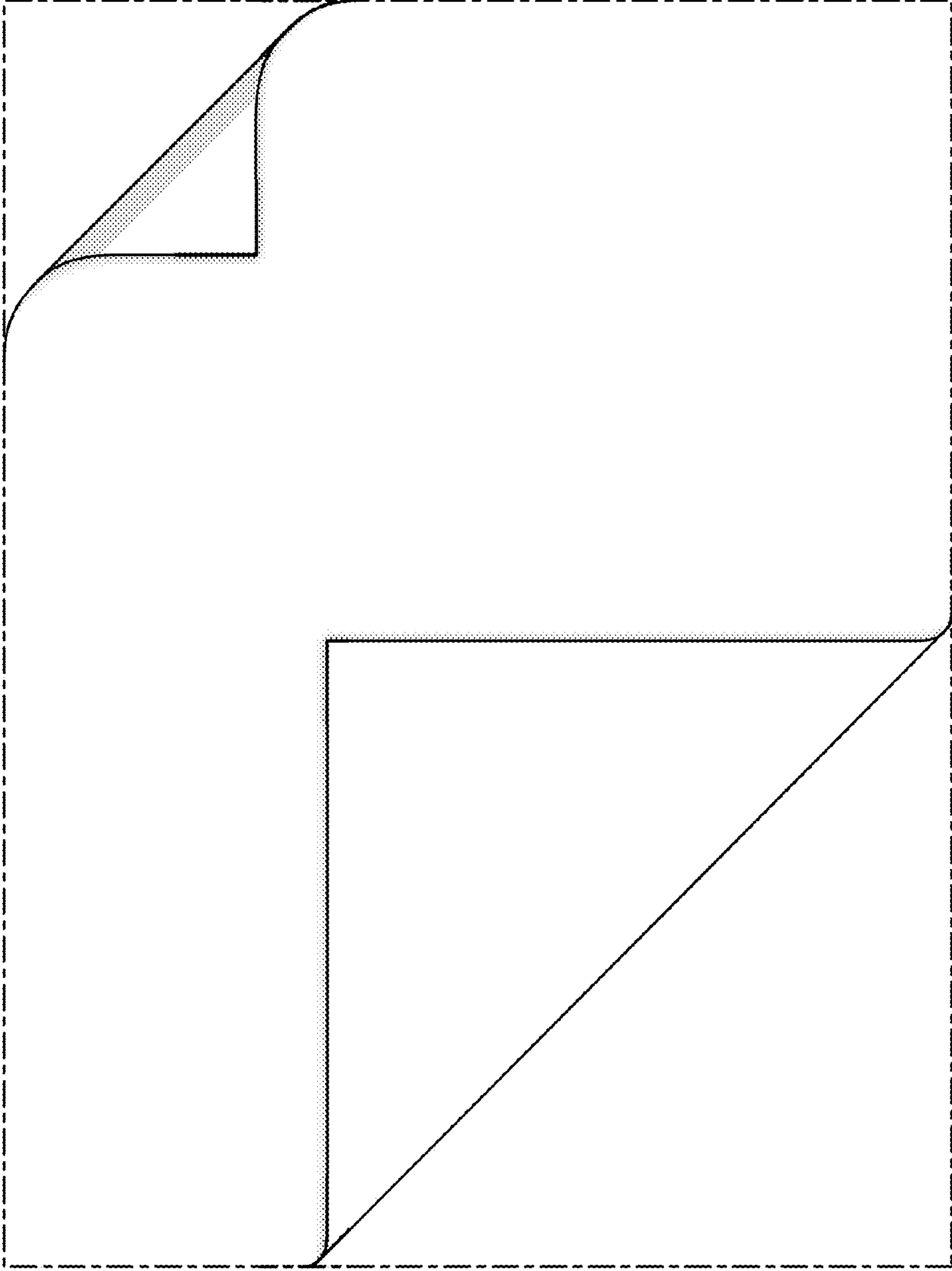


FIG. 5

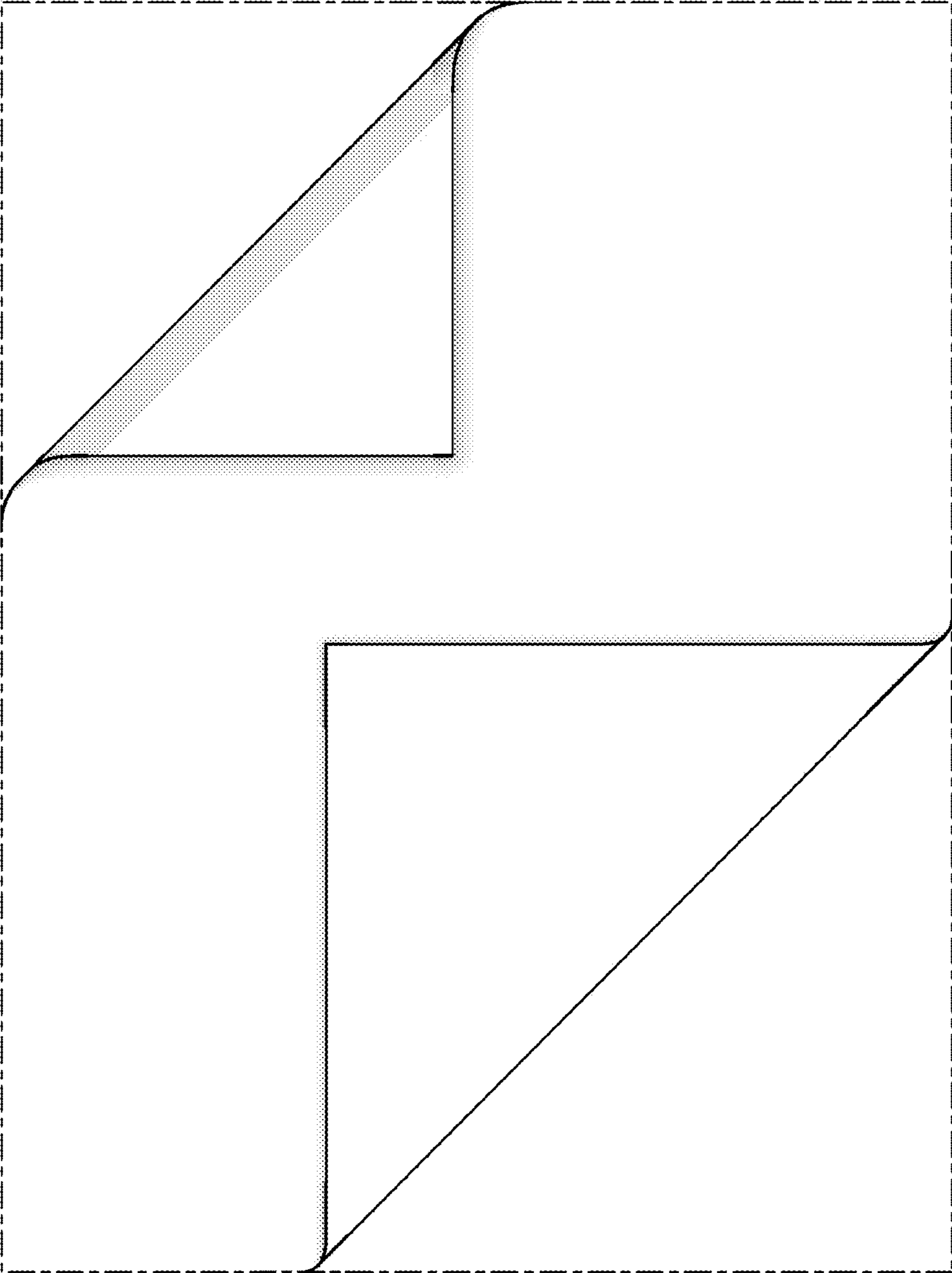


FIG. 6

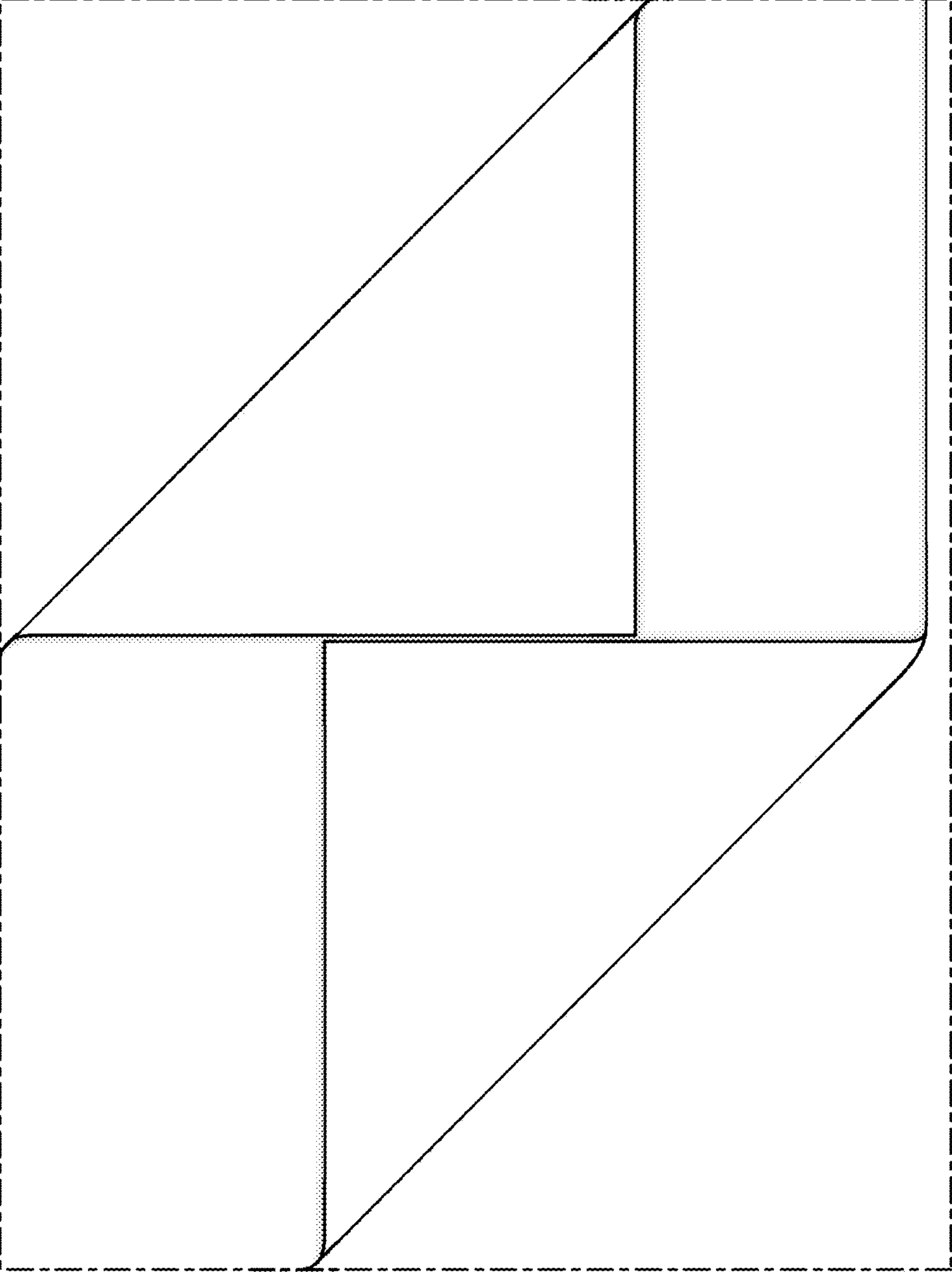


FIG. 7



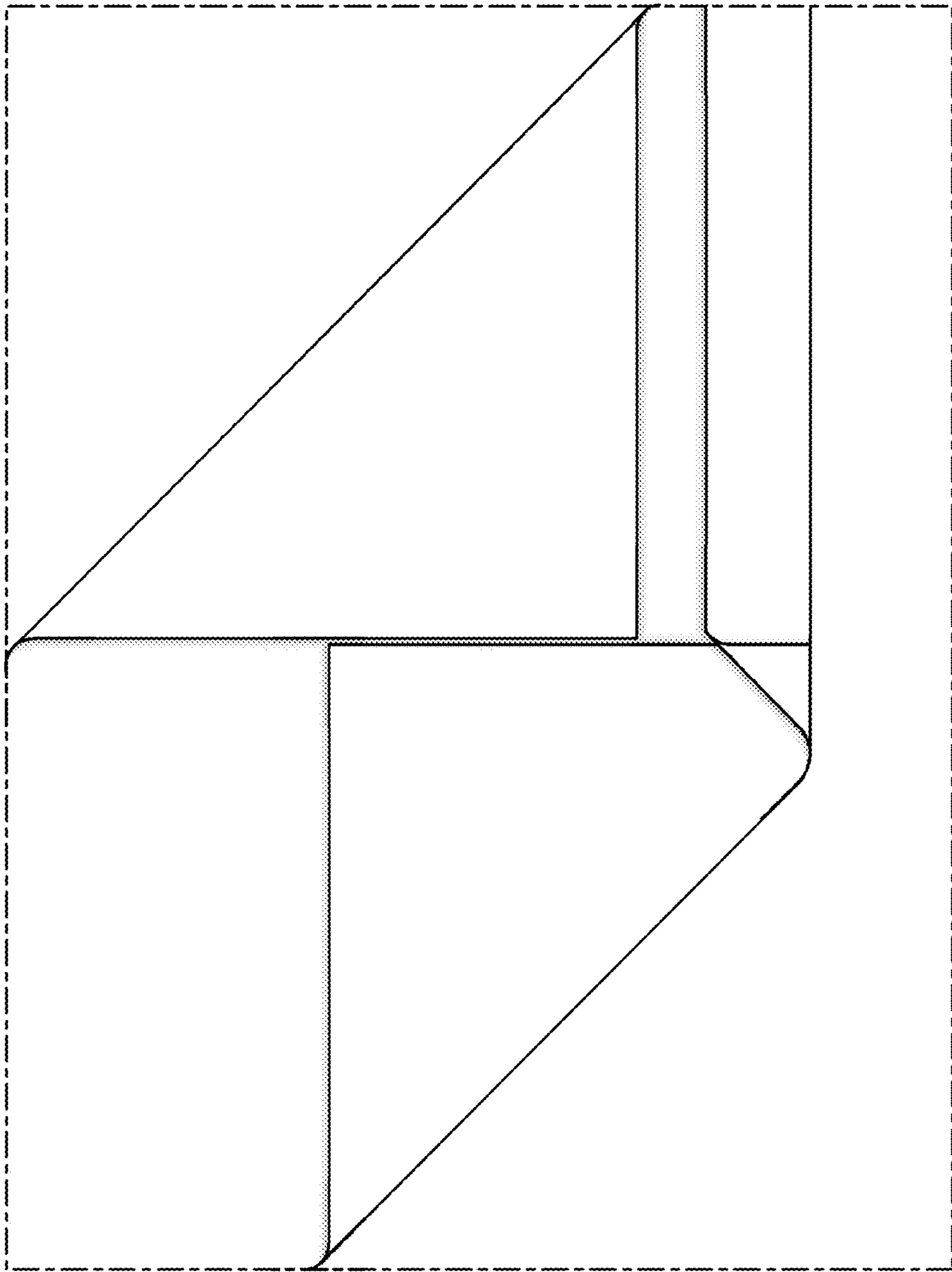


FIG. 8

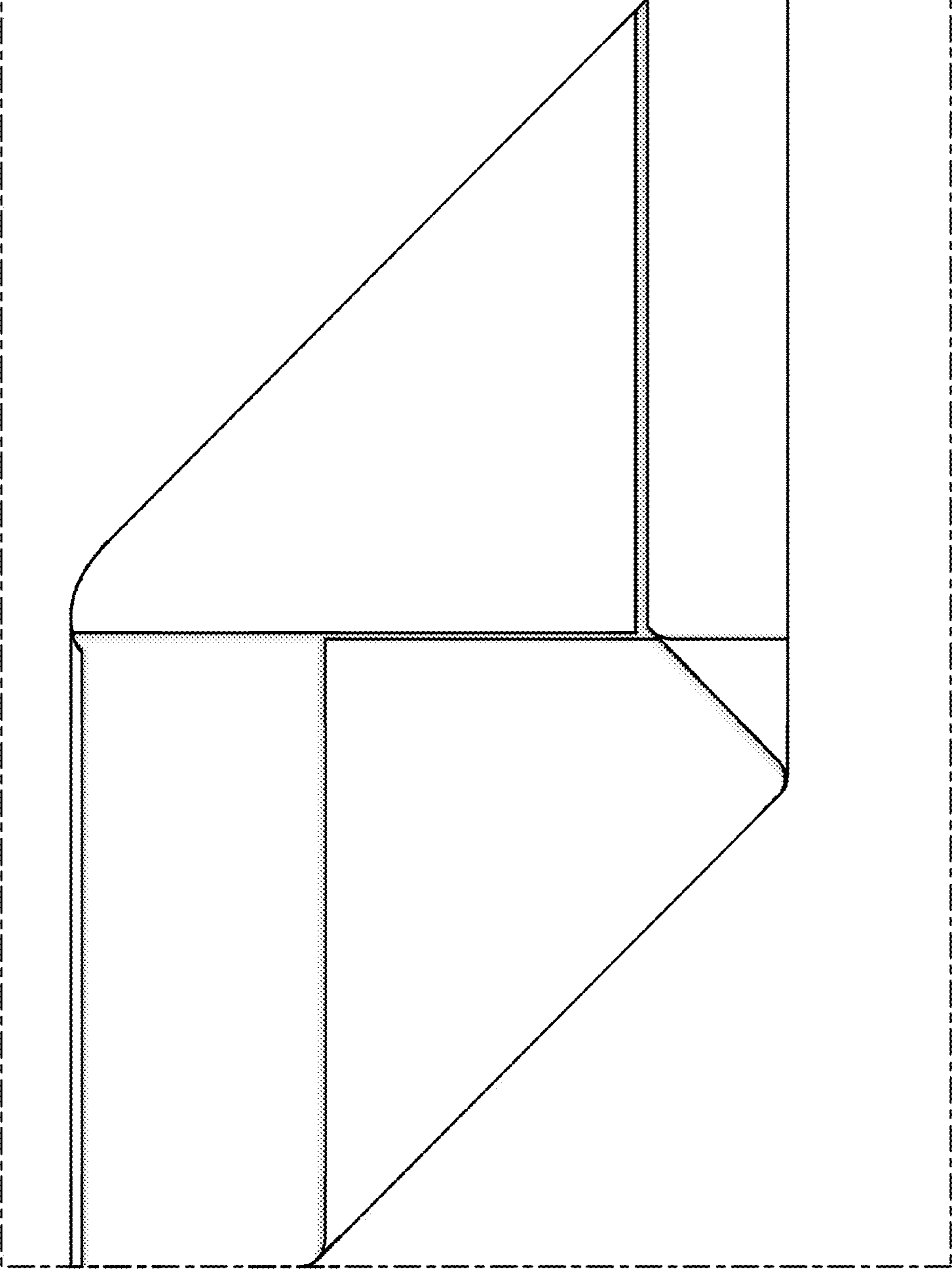


FIG. 9

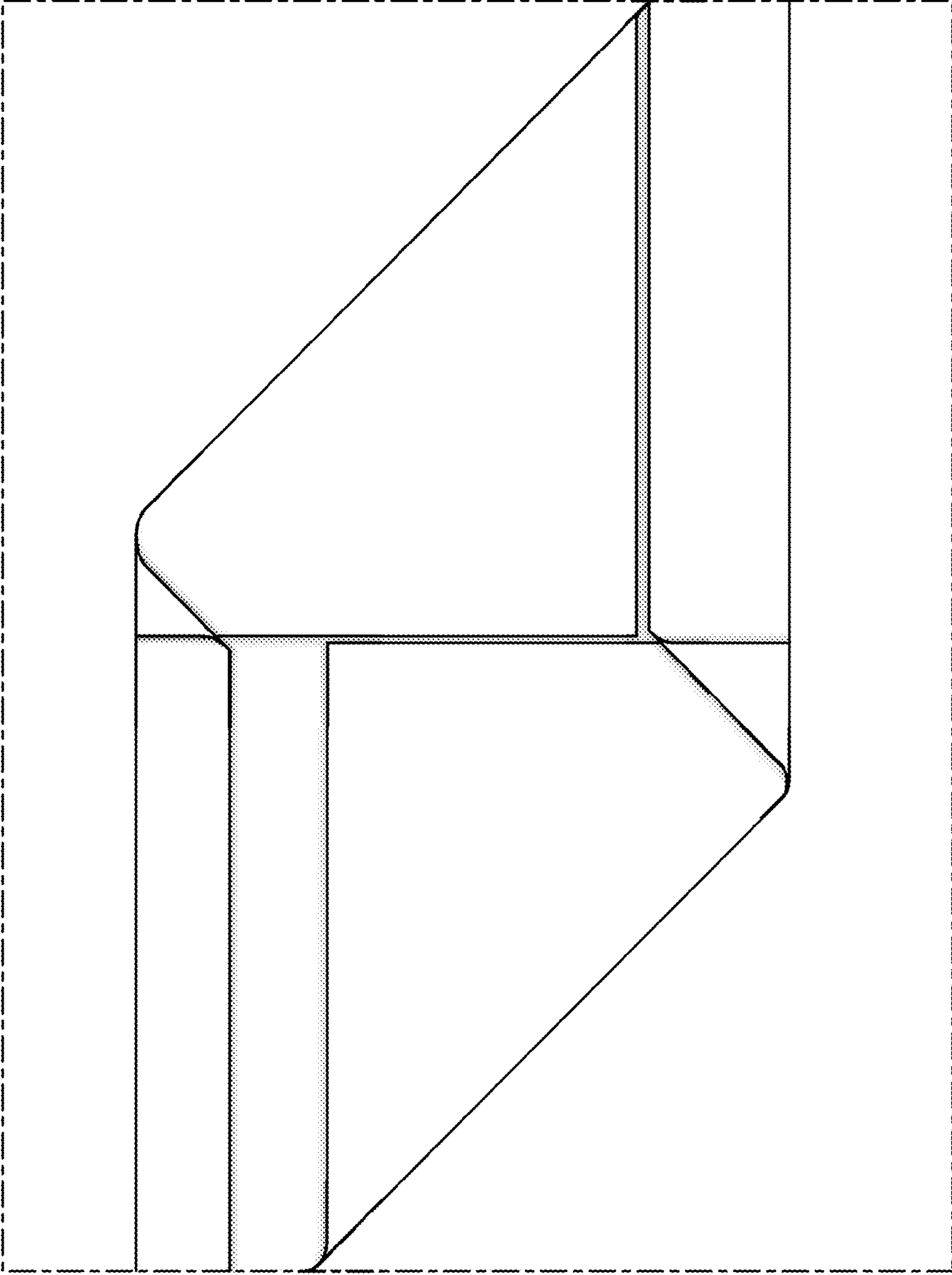


FIG. 10

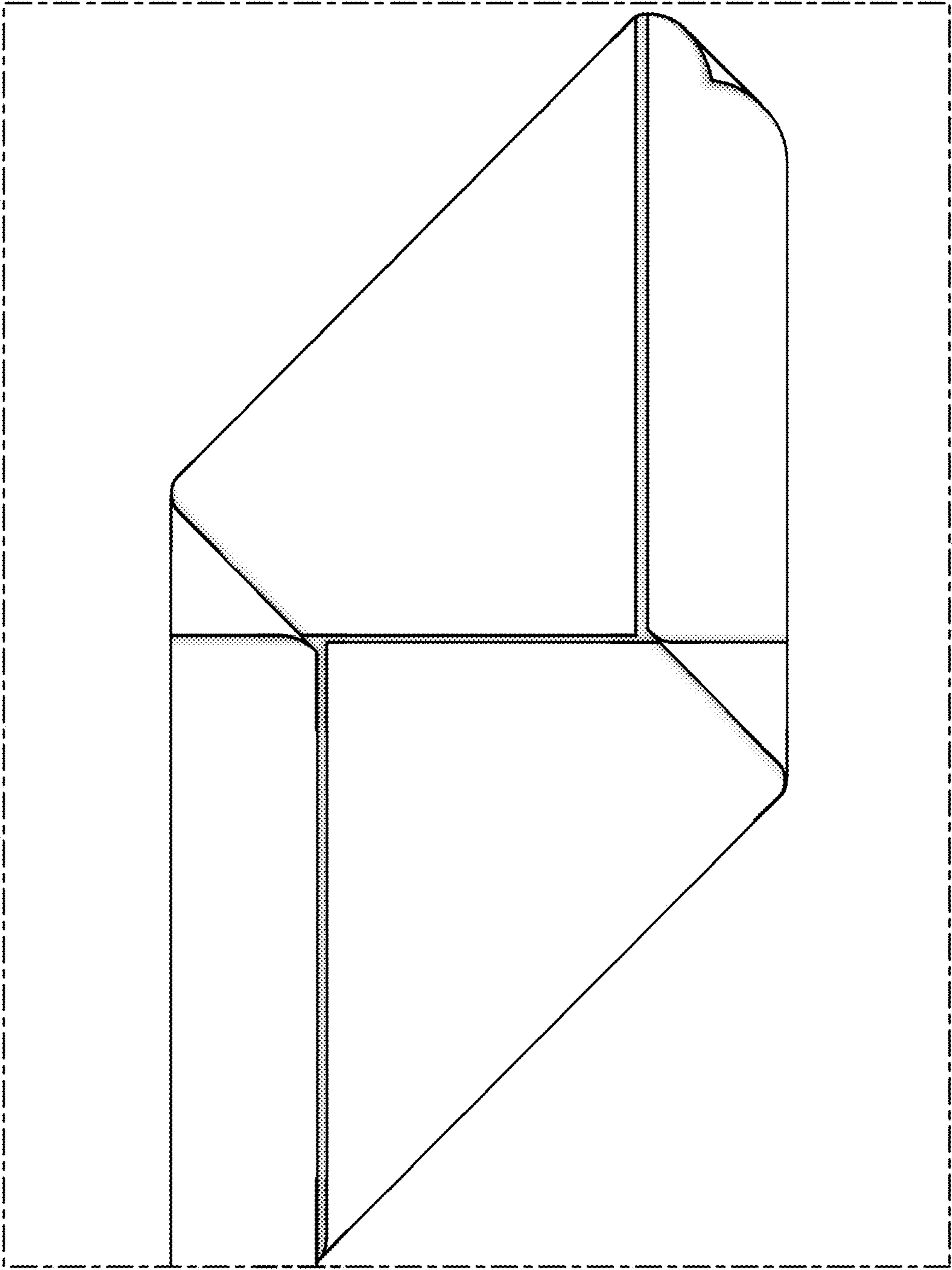


FIG. 11

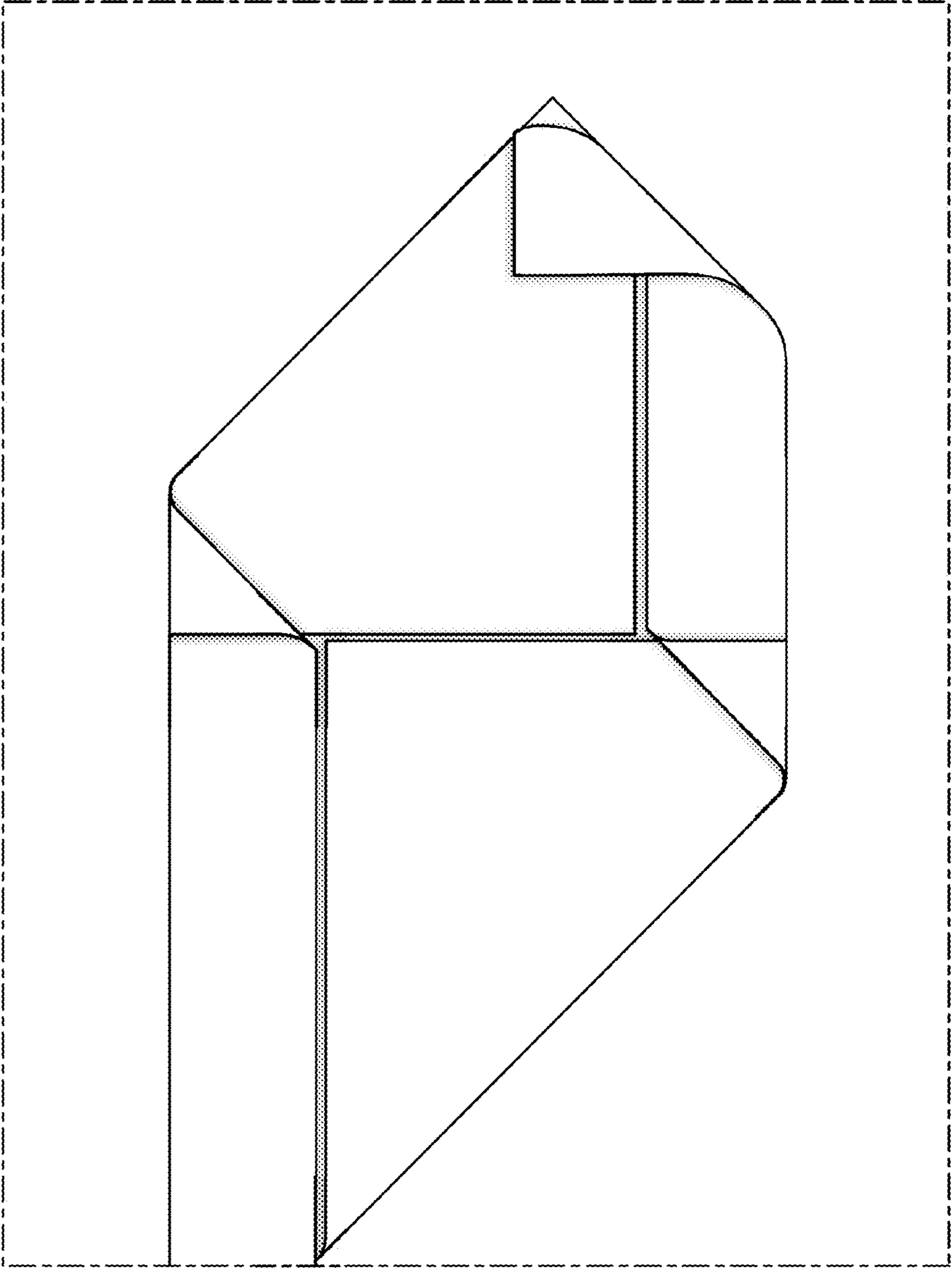


FIG. 12

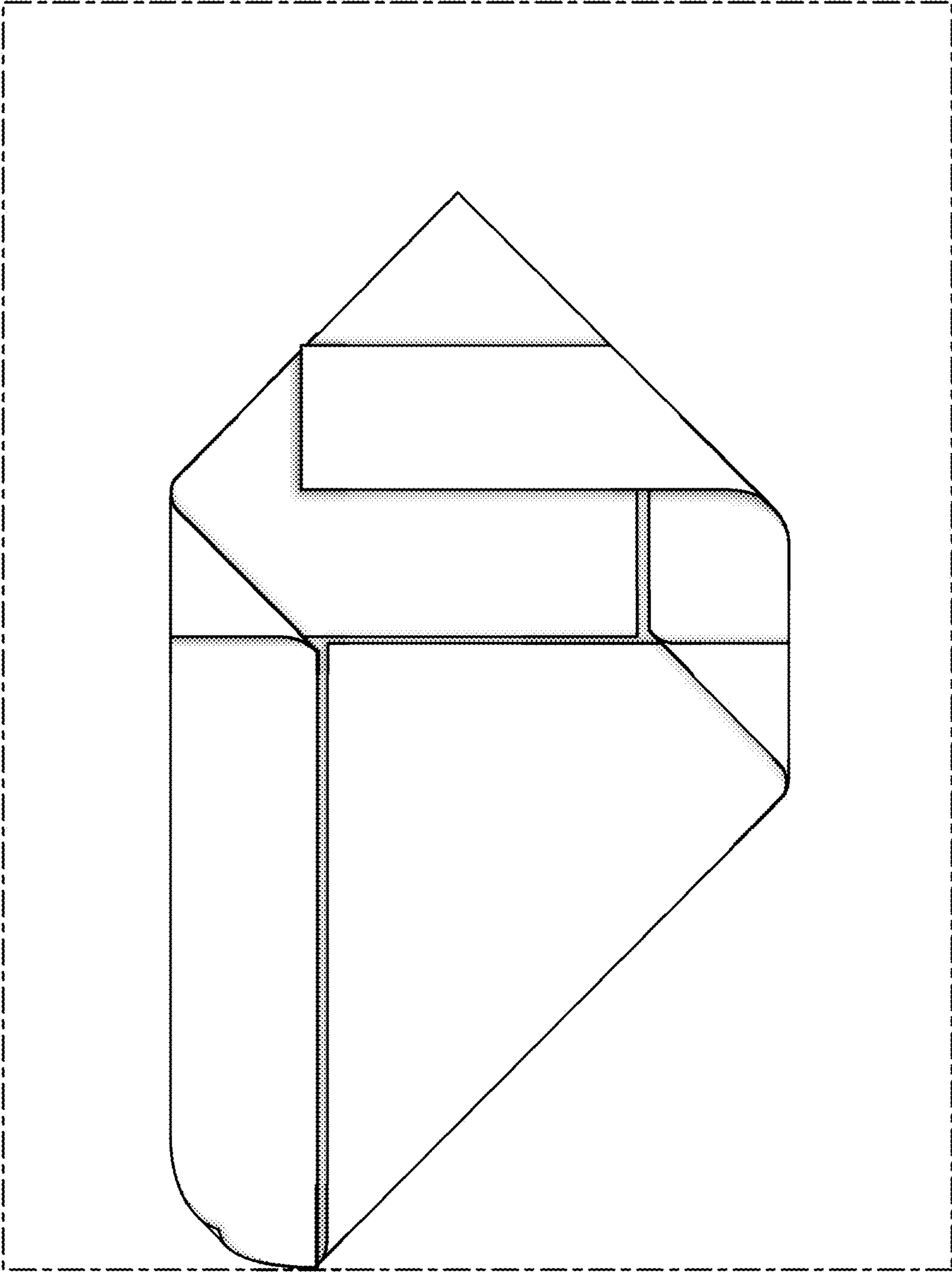


FIG. 13

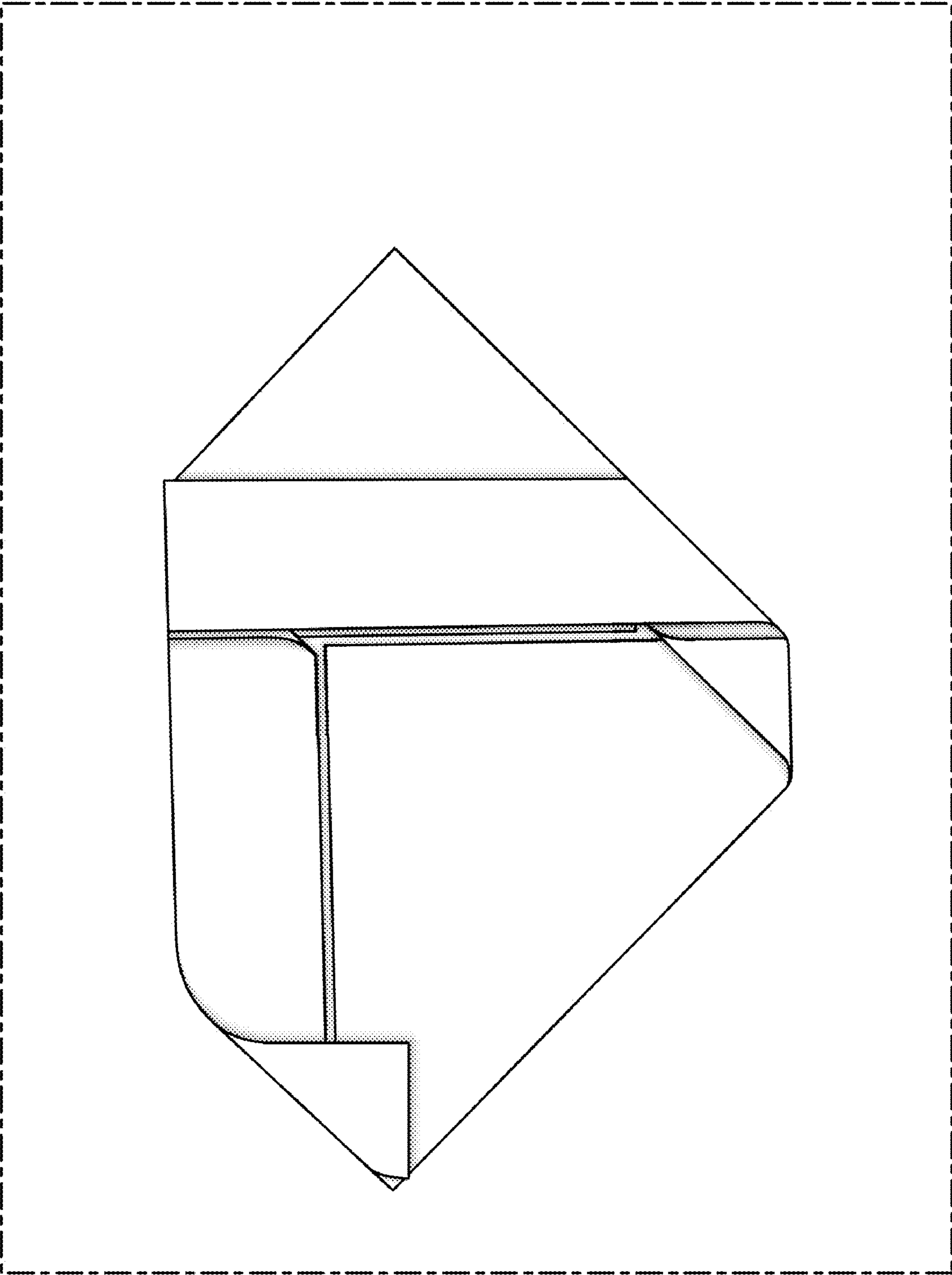


FIG. 14

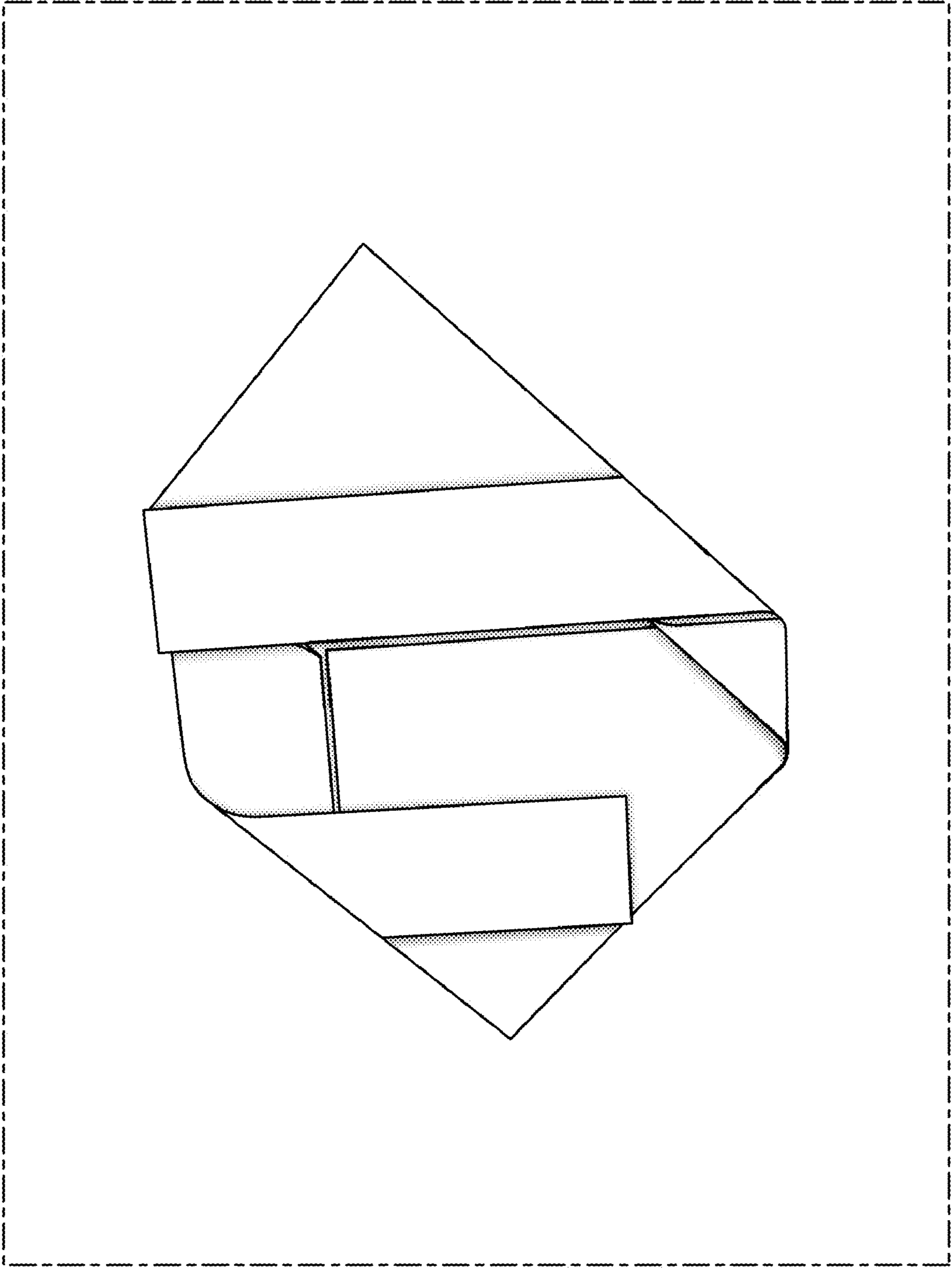


FIG. 15



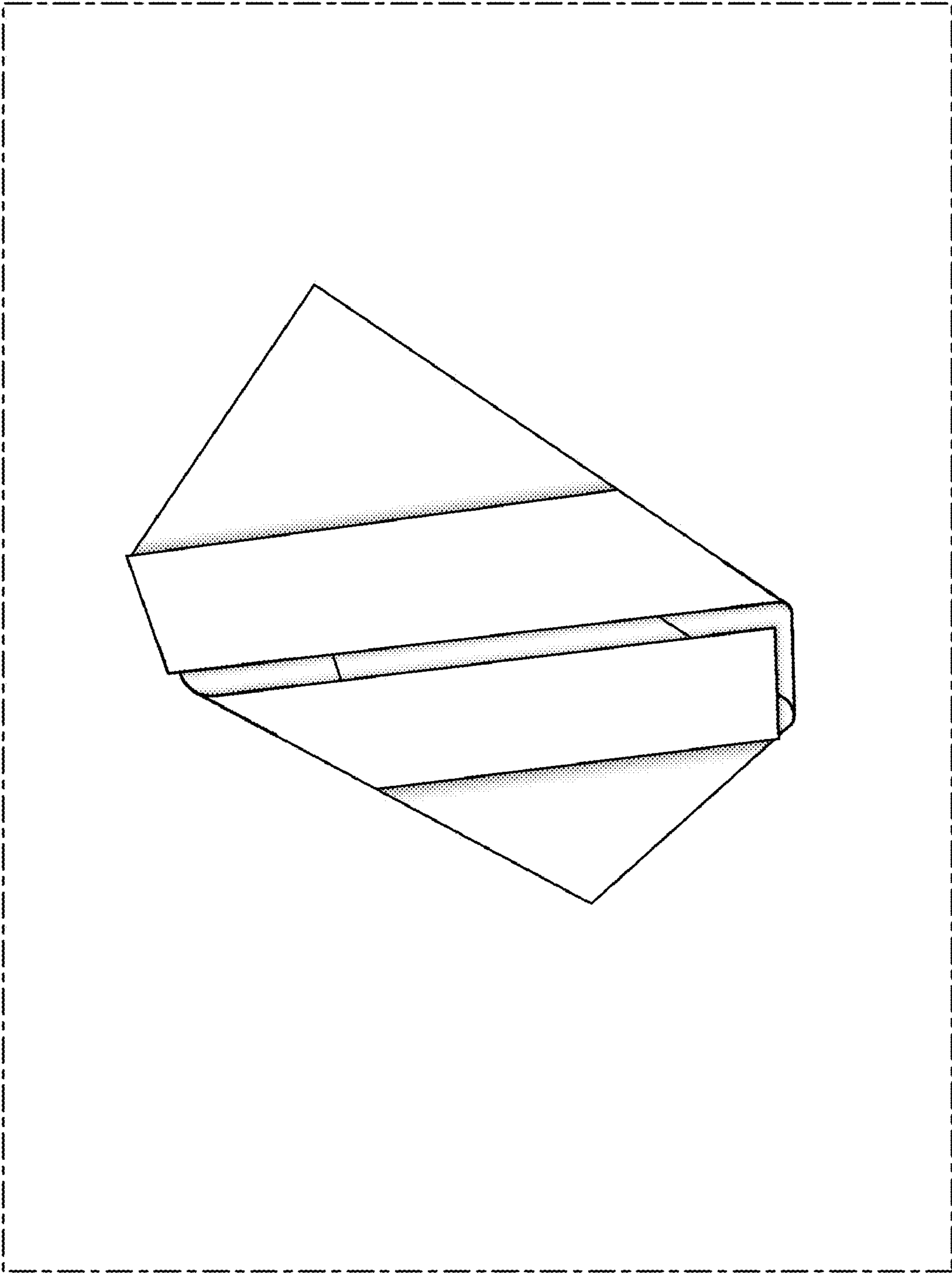


FIG. 16

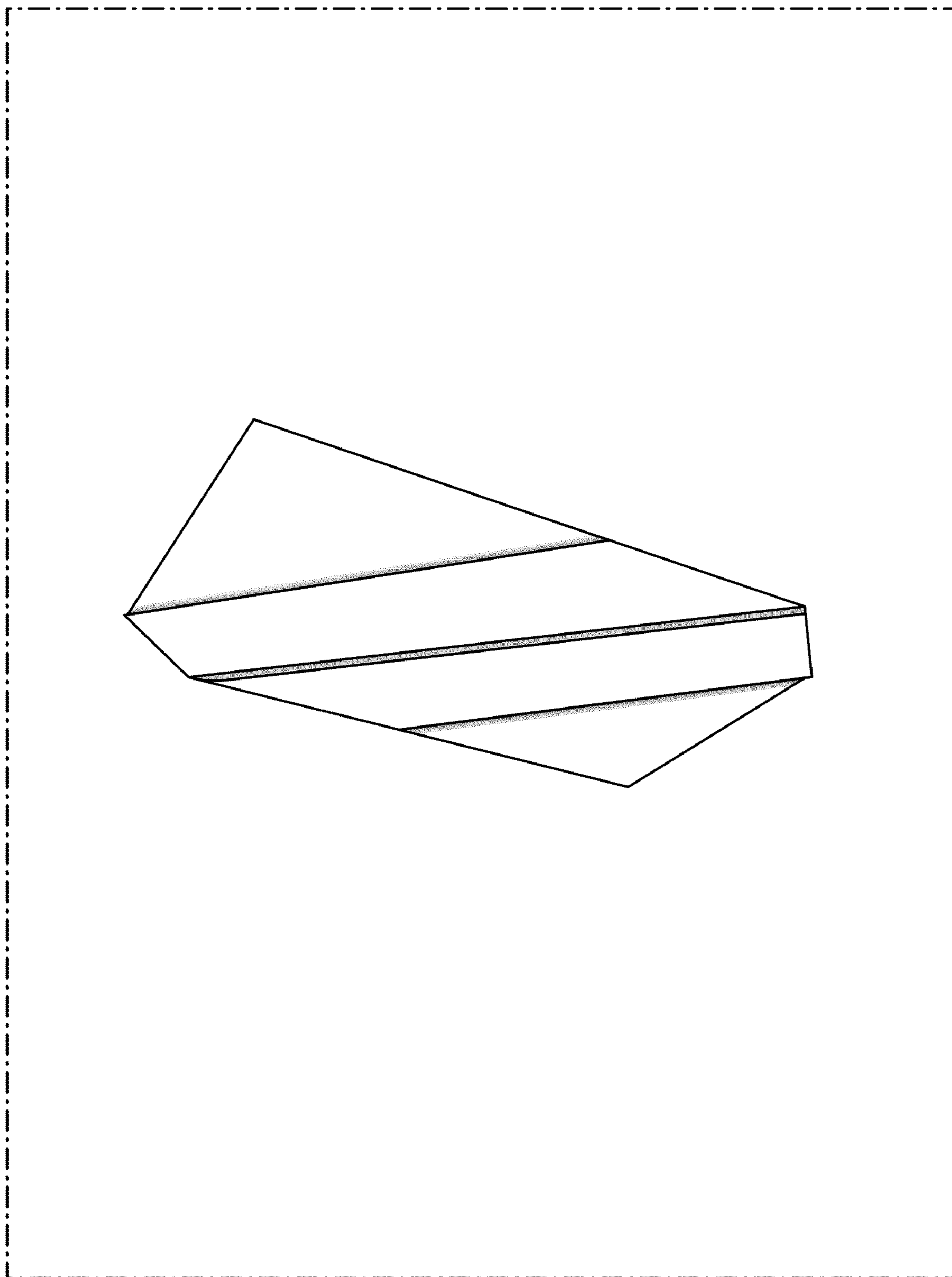


FIG. 17

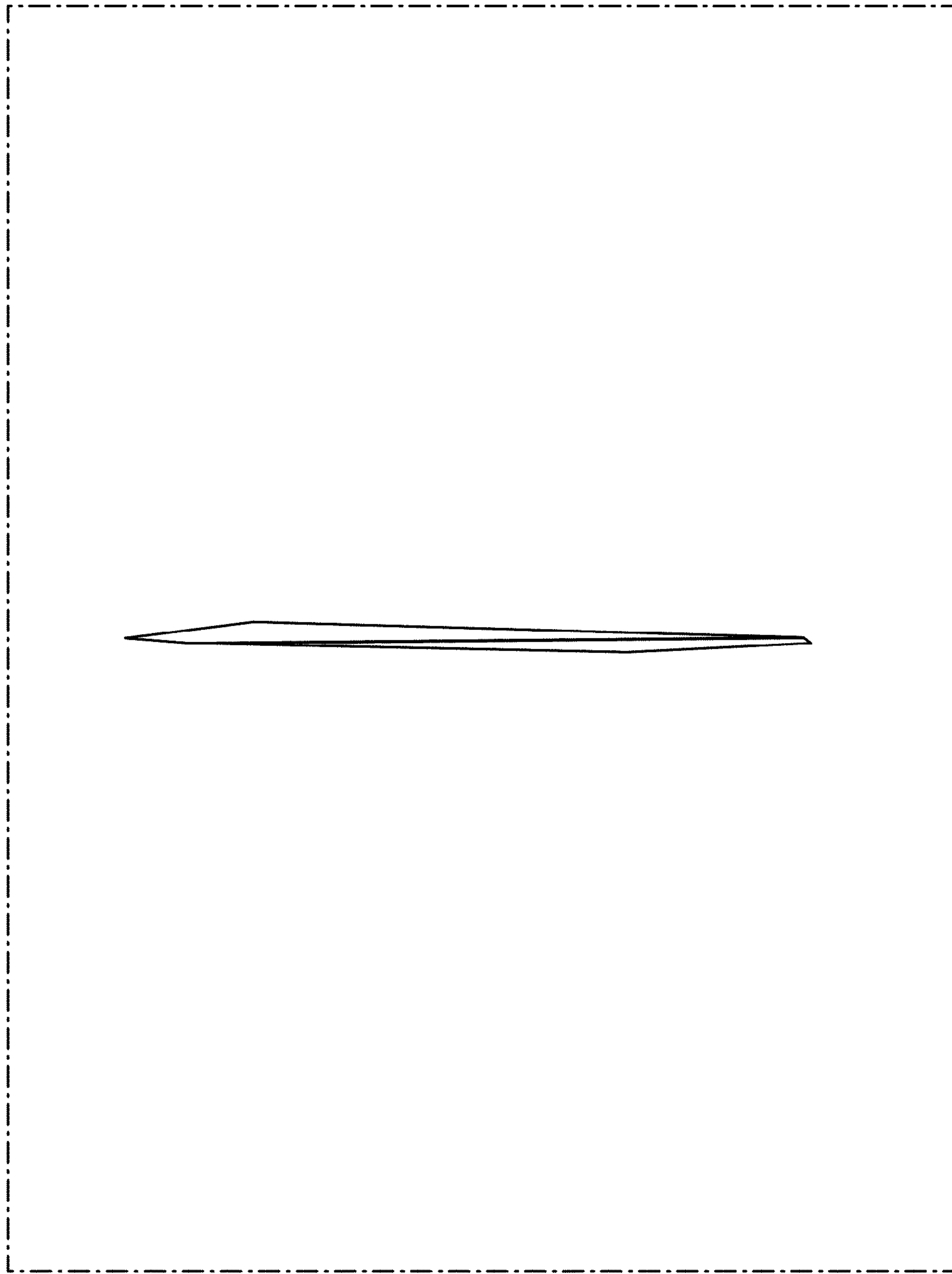


FIG. 18

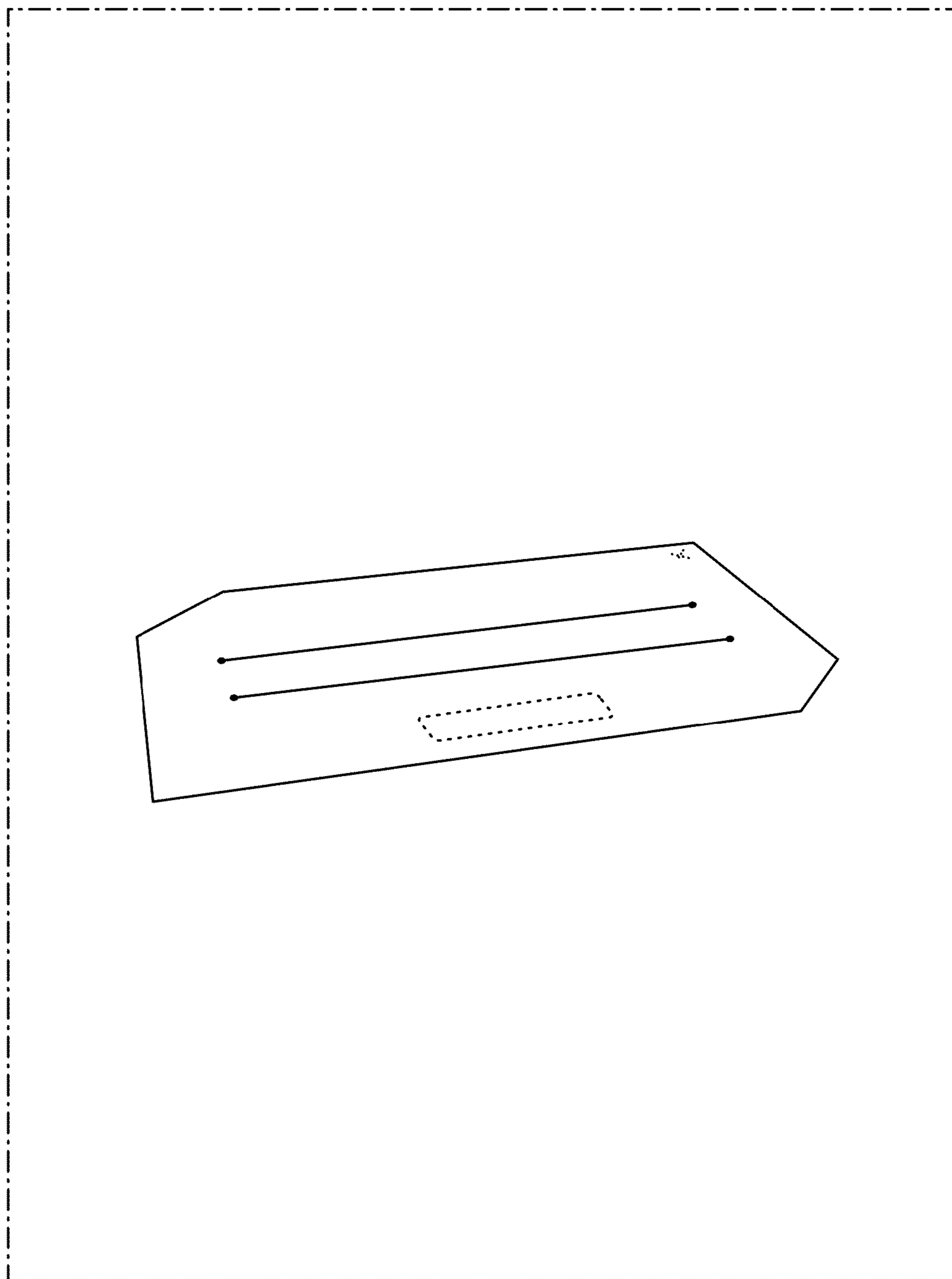


FIG. 19

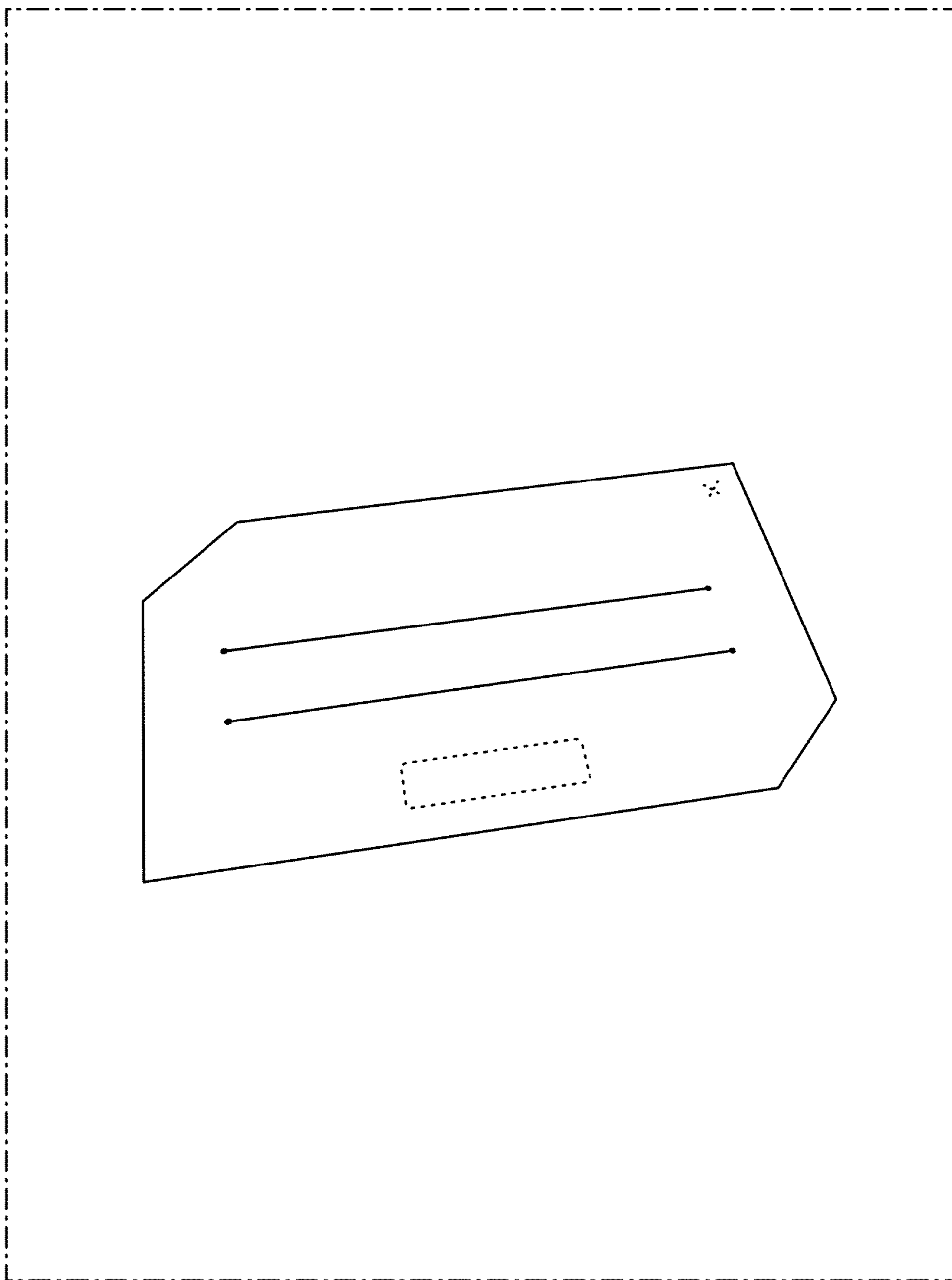


FIG. 20

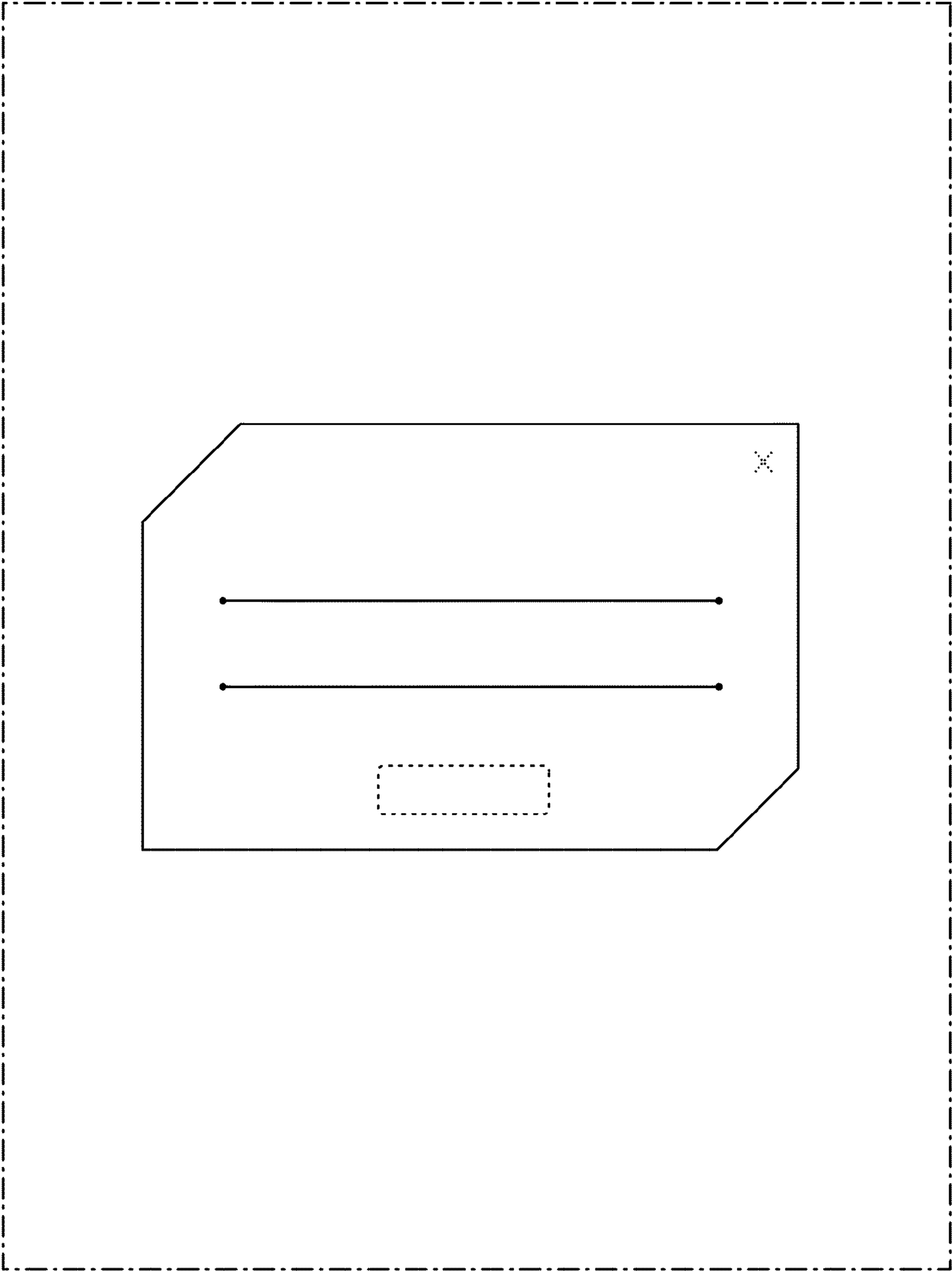


FIG. 21