



US00D625311S

(12) **United States Design Patent**
Sato et al.

(10) **Patent No.:** **US D625,311 S**
(45) **Date of Patent:** **** Oct. 12, 2010**

(54) **DISPLAY**

(75) Inventors: **Yasuki Sato**, Tokyo (JP); **Kenichi Hasegawa**, Tokyo (JP); **Naoto Fukasawa**, Tokyo (JP)

(73) Assignee: **NEC Display Solutions, Ltd.**, Tokyo (JP)

(**) Term: **14 Years**

(21) Appl. No.: **29/330,978**

(22) Filed: **Jan. 16, 2009**

(30) **Foreign Application Priority Data**

Jul. 25, 2008 (JP) 2008-019192

(51) **LOC (9) Cl.** **14-02**

(52) **U.S. Cl.** **D14/450**

(58) **Field of Classification Search** D14/448, D14/449, 450, 451, 452, 432, 439, 440, 305, D14/306, 307, 336, 339, 340, 356, 371, 372, D14/373, 374, 375, 376, 377, 378, 379, 380, D14/381, 382, 125, 126, 127, 128, 129, 239; D6/300, 308; D3/218, 271.2; D19/26, 27, D19/32, 33; 348/794, 832; 361/679.21; 248/917, 918, 919, 920, 921, 922, 923, 924, 248/442.2; 345/32, 609, 738; 349/58; 206/320; 40/765, 771

See application file for complete search history.

(56) **References Cited**

U.S. PATENT DOCUMENTS

D370,218 S * 5/1996 Goodner et al. D14/382
D424,530 S * 5/2000 Kurtz et al. D14/336
D458,603 S * 6/2002 Lee D14/375

D484,506 S * 12/2003 Olson et al. D14/375
D494,174 S * 8/2004 Hsu Li D14/374
D509,827 S * 9/2005 Johnson D14/374
D526,291 S * 8/2006 Anzures D14/126
7,349,201 B2 * 3/2008 Tatsukami et al. 361/679.55
D570,806 S * 6/2008 Lee D14/126
D576,971 S * 9/2008 Yokota D14/126
D602,023 S * 10/2009 Hirose D14/439
2009/0167980 A1 * 7/2009 Watanabe 349/58
2009/0185104 A1 * 7/2009 Watanabe 349/60

* cited by examiner

Primary Examiner—Jennifer Rivard

Assistant Examiner—Angela J Lee

(74) *Attorney, Agent, or Firm*—Sughrue Mion, PLLC

(57) **CLAIM**

The ornamental design for a display, as shown and described.

DESCRIPTION

FIG. 1 is a front, right side, top perspective view of a display showing our new design;

FIG. 2 is a front elevational view thereof;

FIG. 3 is a rear elevational view thereof;

FIG. 4 is a left side view thereof;

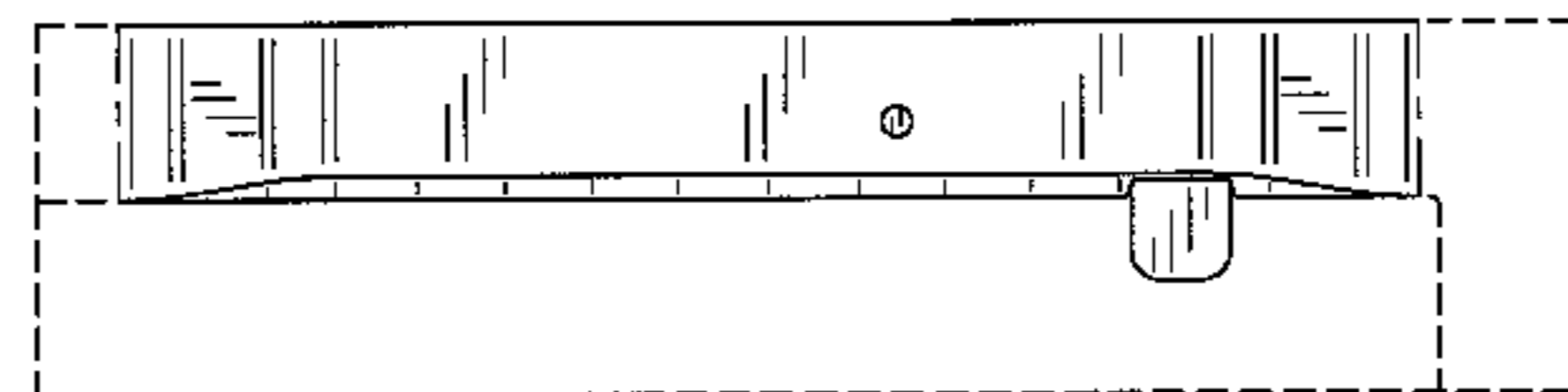
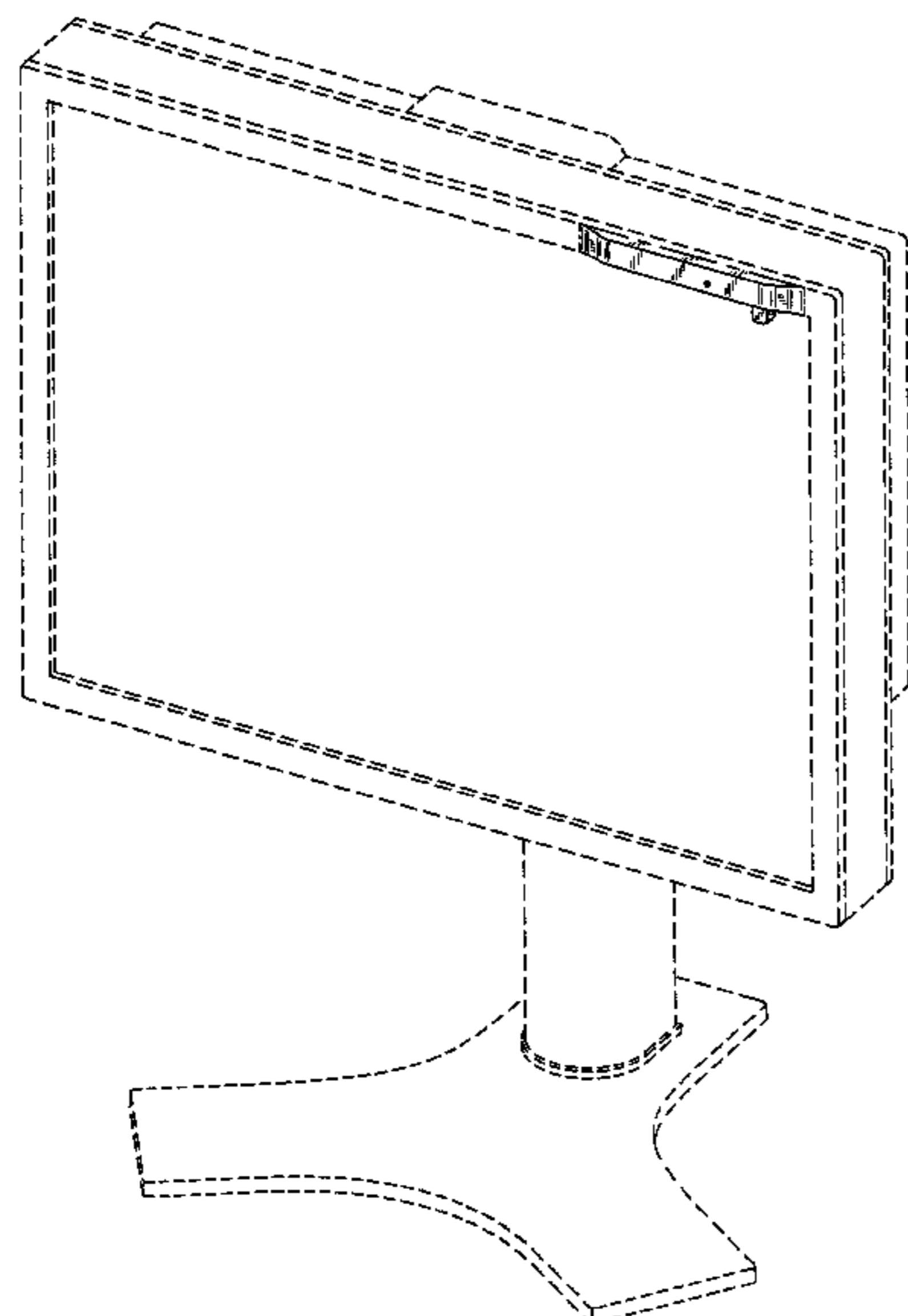
FIG. 5 is a top plan view thereof;

FIG. 6 is a bottom plan view thereof; and,

FIG. 7 is an enlarged partial view thereof, taken along line 7—7 of FIG. 2.

The broken lines immediately adjacent to the shaded areas form unclaimed boundaries and form no part of the claimed design. The portions of the display in broken lines are shown for illustrative purposes only and form no part of the claimed design.

1 Claim, 6 Drawing Sheets



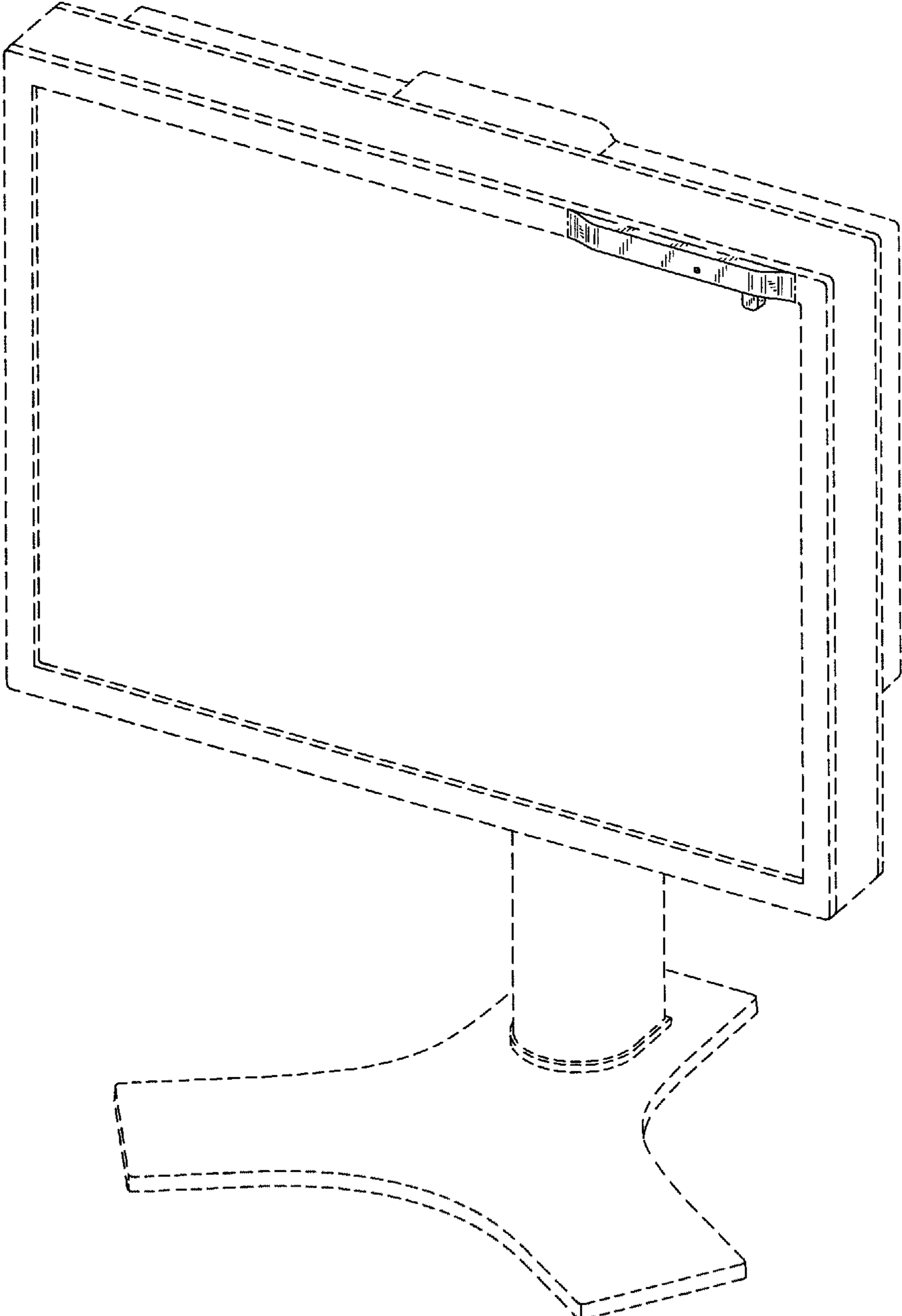


FIG. 1

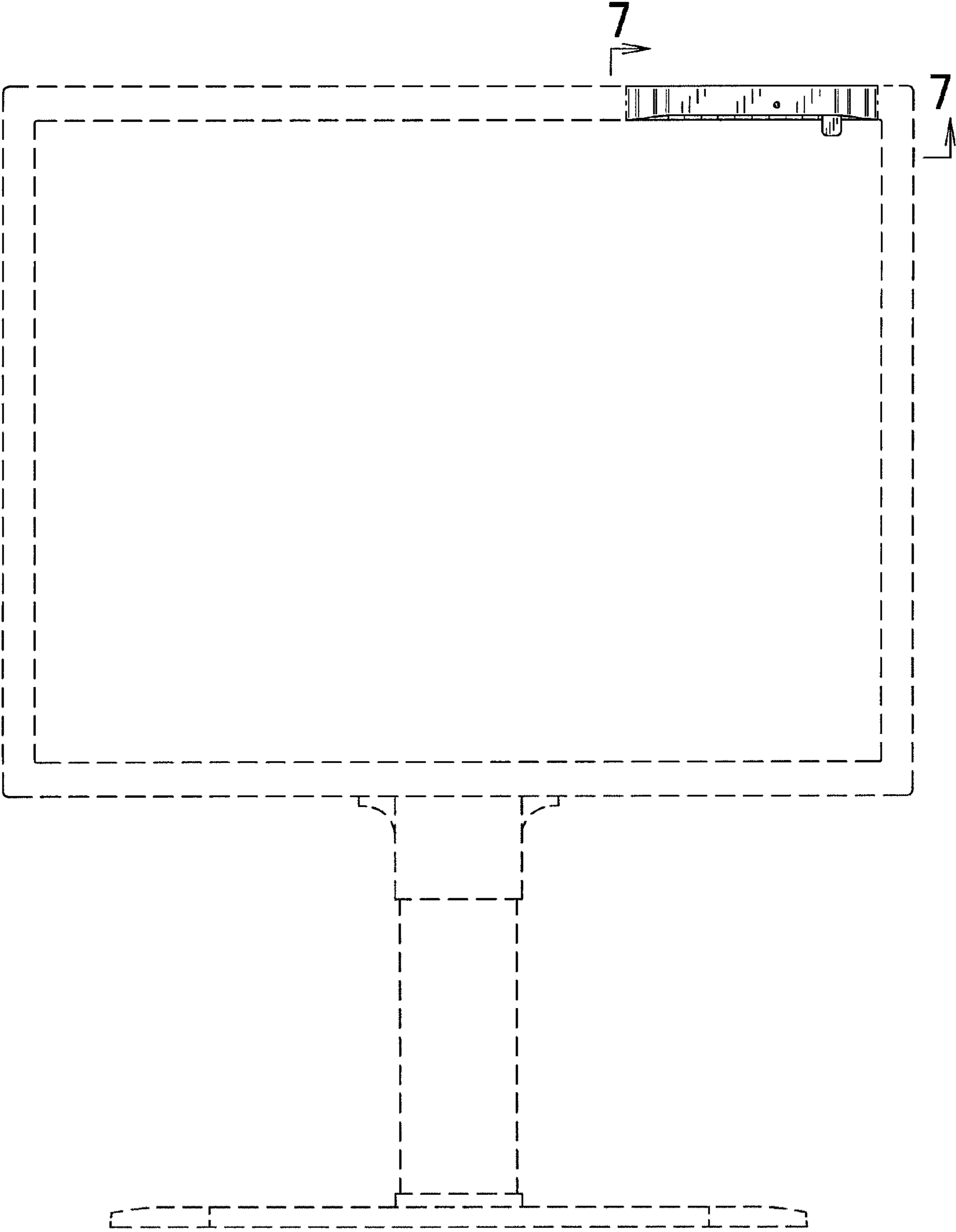


FIG. 2

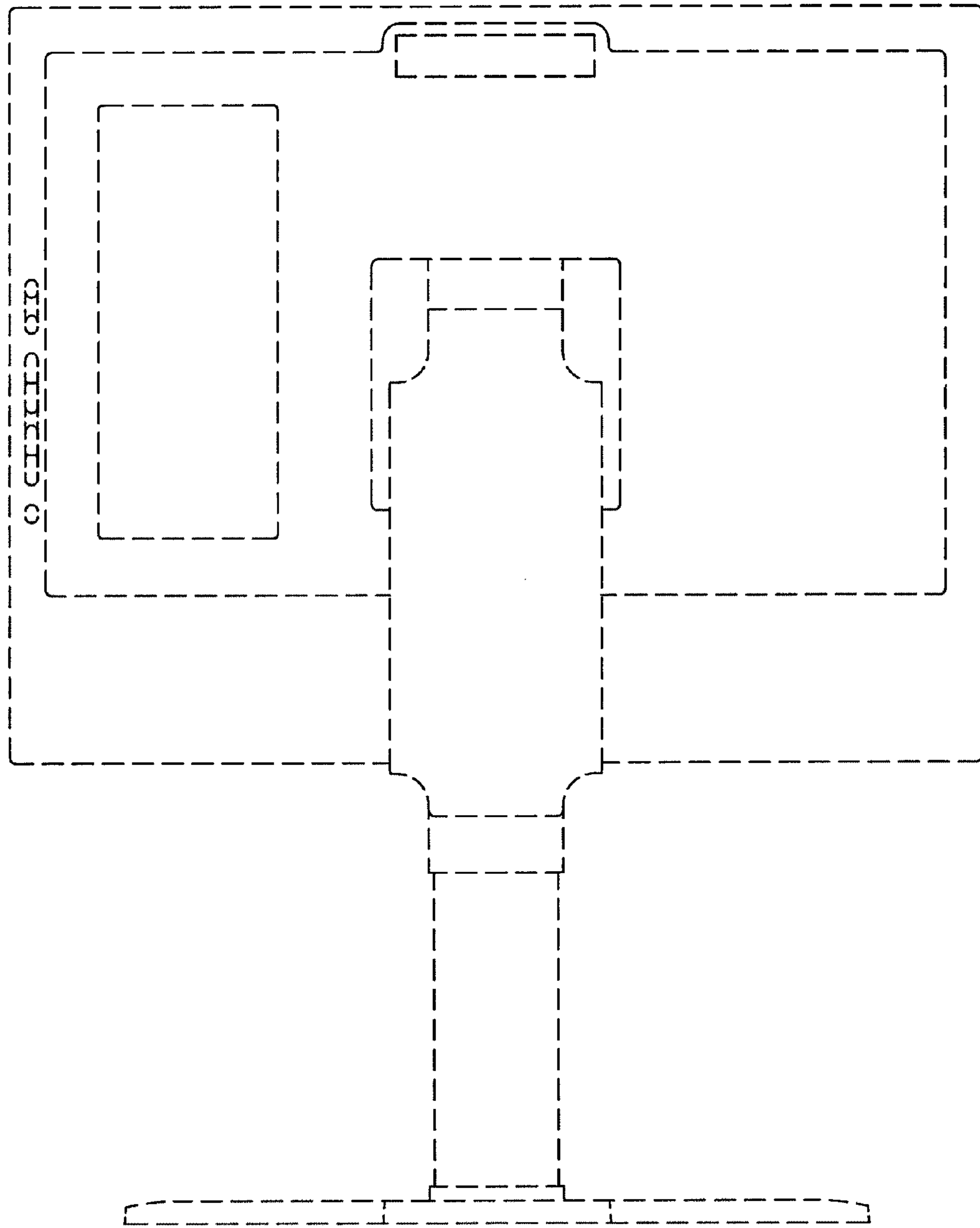


FIG. 3

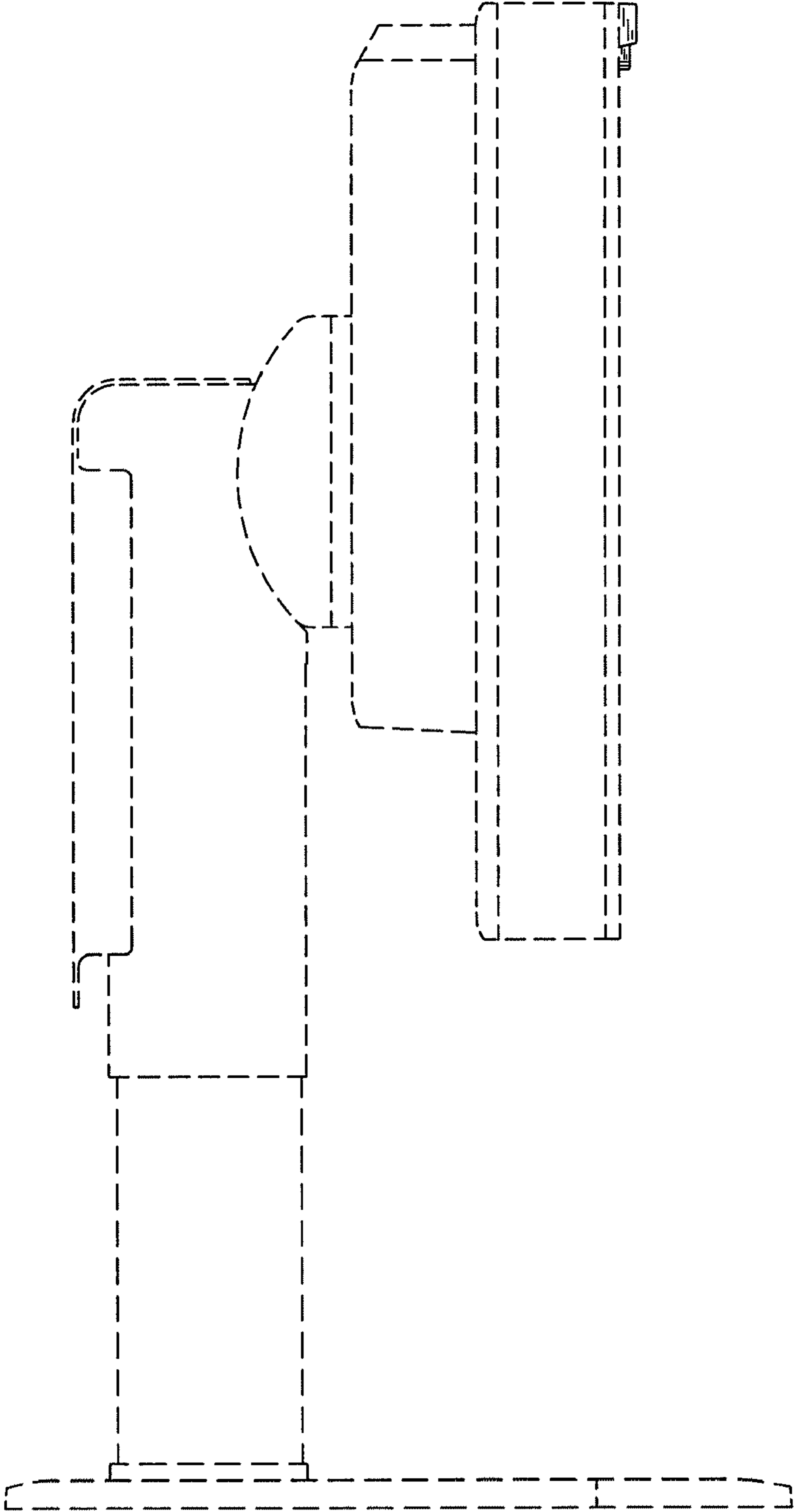


FIG. 4

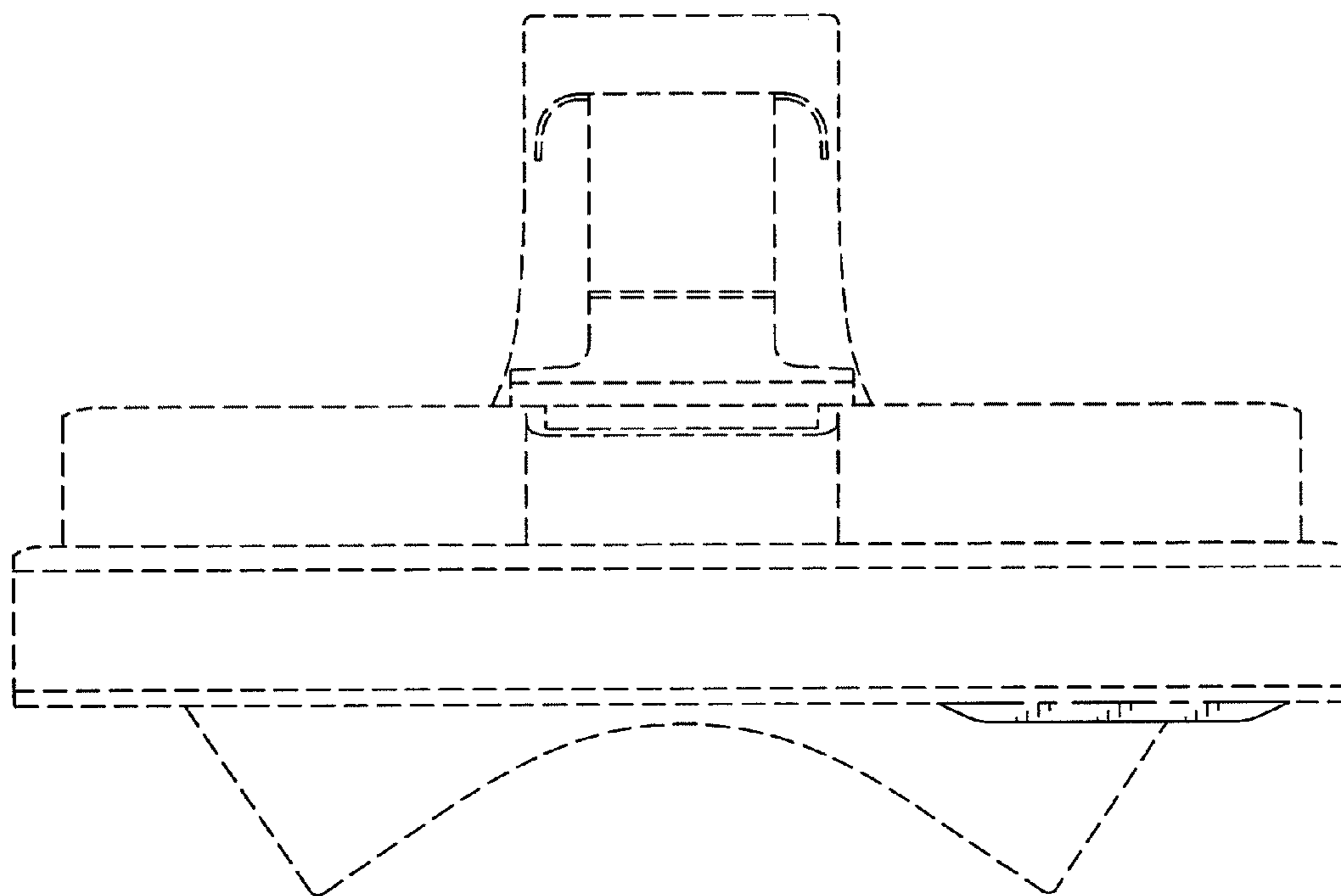


FIG. 5

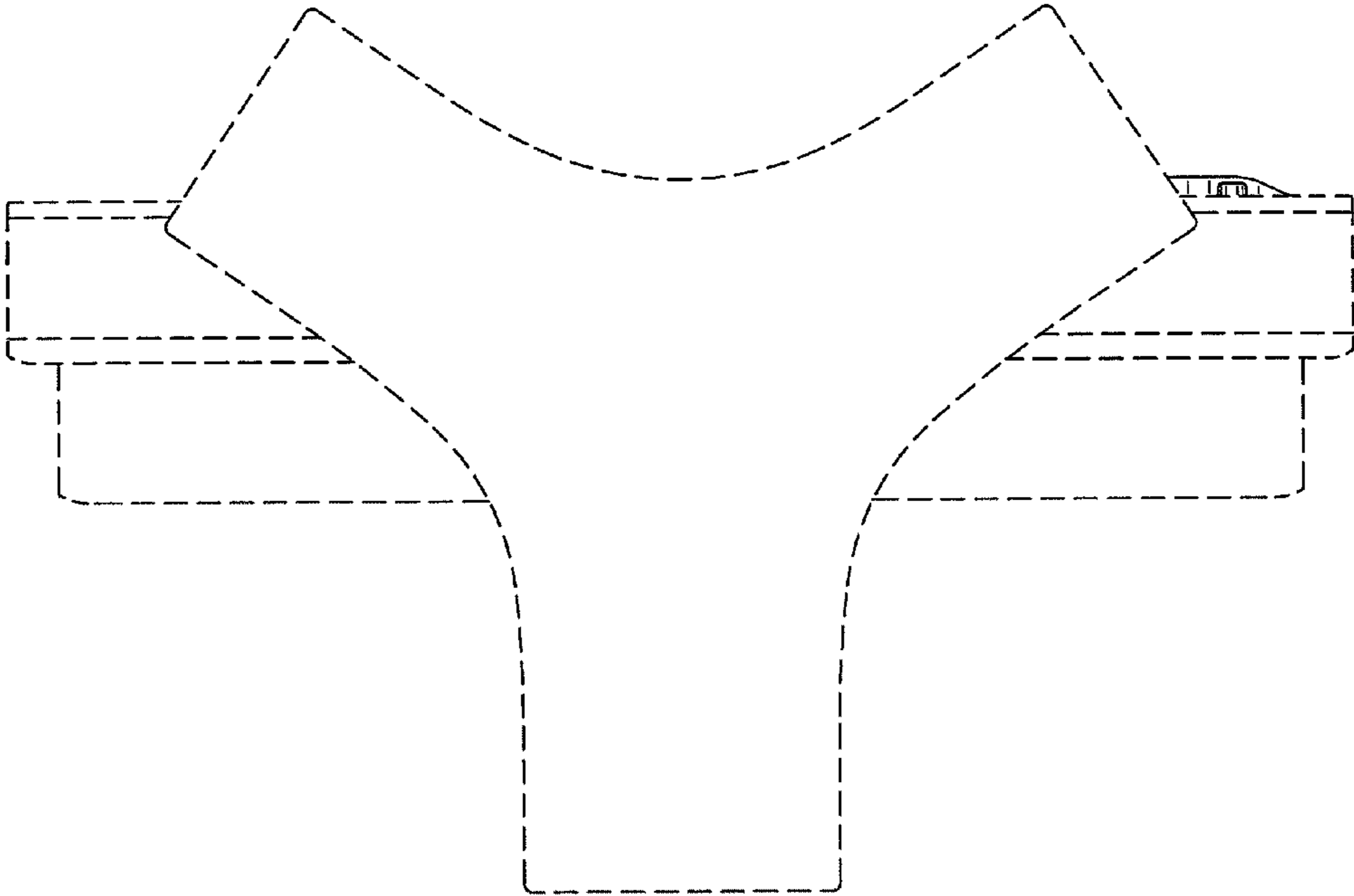


FIG. 6

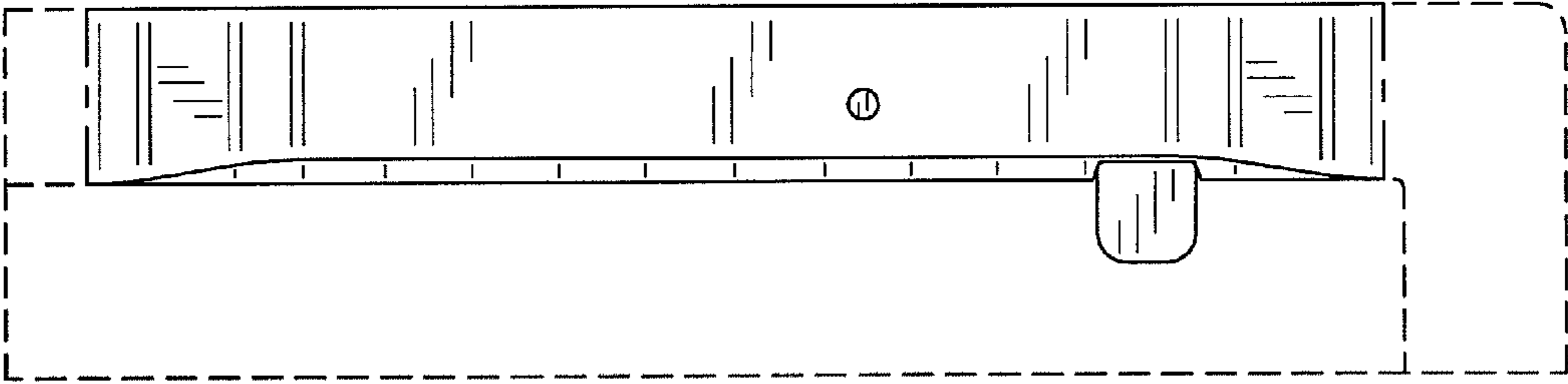


FIG. 7