

US00D625308S

(12) **United States Design Patent**
Chen et al.

(10) **Patent No.:** **US D625,308 S**

(45) **Date of Patent:** **** Oct. 12, 2010**

(54) **THIN CLIENT**

(75) Inventors: **Yun-Lung Chen**, Taipei Hsien (TW);
Hong-Jin Wu, Shenzhen (CN); **Qun Wang**, Shenzhen (CN)

(73) Assignee: **Hon Hai Precision Industry Co., Ltd.**,
Tu-Cheng, Taipei Hsien (TW)

(**) Term: **14 Years**

(21) Appl. No.: **29/341,262**

(22) Filed: **Aug. 3, 2009**

(51) **LOC (9) Cl.** **14-02**

(52) **U.S. Cl.** **D14/356**

(58) **Field of Classification Search** D14/125,
D14/137, 167, 168, 230, 231, 233, 235, 237,
D14/240–242, 299, 432, 435, 436, 155, 496,
D14/300–302, 313, 314, 214, 348–363, 365–370;
D18/56; D10/65, 75, 78; D13/149, 162,
D13/184, 199; D3/201, 273; 361/679.31–679.45
See application file for complete search history.

(56) **References Cited**

U.S. PATENT DOCUMENTS

D226,565 S *	3/1973	Klepa	D14/349
D331,227 S *	11/1992	Esslinger	D14/355
D365,348 S *	12/1995	Card et al.	D14/140.3
D367,042 S *	2/1996	Morrow et al.	D13/184
D405,790 S *	2/1999	Kawada et al.	D14/168
D436,105 S *	1/2001	Goto	D14/356
D456,403 S *	4/2002	Witte	D14/355
D480,077 S *	9/2003	Searby et al.	D14/308
D490,415 S *	5/2004	Whitehorn et al.	D14/302
D505,428 S *	5/2005	Yagihashi	D14/496
D505,675 S *	5/2005	Chen	D14/348
D514,563 S *	2/2006	Kuramashi et al.	D14/358
D519,978 S *	5/2006	Sogabe	D14/506
D525,968 S *	8/2006	Peng et al.	D14/300
D528,516 S *	9/2006	Chou	D14/125
D530,315 S *	10/2006	Liu	D14/240
D531,142 S *	10/2006	Yang et al.	D14/125
D531,589 S *	11/2006	Hsu	D13/184
D533,148 S *	12/2006	Hong	D14/125
D534,910 S *	1/2007	Weiher et al.	D14/356

D535,664 S *	1/2007	Katayama	D14/496
D538,273 S *	3/2007	Liu	D14/240
D541,792 S *	5/2007	Liu et al.	D14/240
D542,289 S *	5/2007	Diebel	D14/356
D577,021 S *	9/2008	Kuang et al.	D14/363
D594,028 S *	6/2009	Fuchsberg et al.	D14/496
D597,542 S *	8/2009	Solomon et al.	D14/351
D603,834 S *	11/2009	Lyman et al.	D14/155
D611,462 S *	3/2010	McGuire	D14/240
2007/0014080 A1 *	1/2007	McCormack	361/679
2009/0195976 A1 *	8/2009	Chang	361/679.34

OTHER PUBLICATIONS

Western Digital My Book™: Photos, [online], [retrieved on Nov. 14, 2006]. Retrieved from the Internet <URL: <http://www.wdmybook.com/en/photos/>>.*

* cited by examiner

Primary Examiner—Robin V Webster

Assistant Examiner—Karen E Kearney

(74) *Attorney, Agent, or Firm*—D. Austin Bonderer

(57) **CLAIM**

The ornamental design for a thin client, as shown and described.

DESCRIPTION

FIG. 1 is a perspective view of the thin client showing our new design;

FIG. 2 is a front elevational view thereof;

FIG. 3 is a rear elevational view thereof;

FIG. 4 is a left side elevational view thereof;

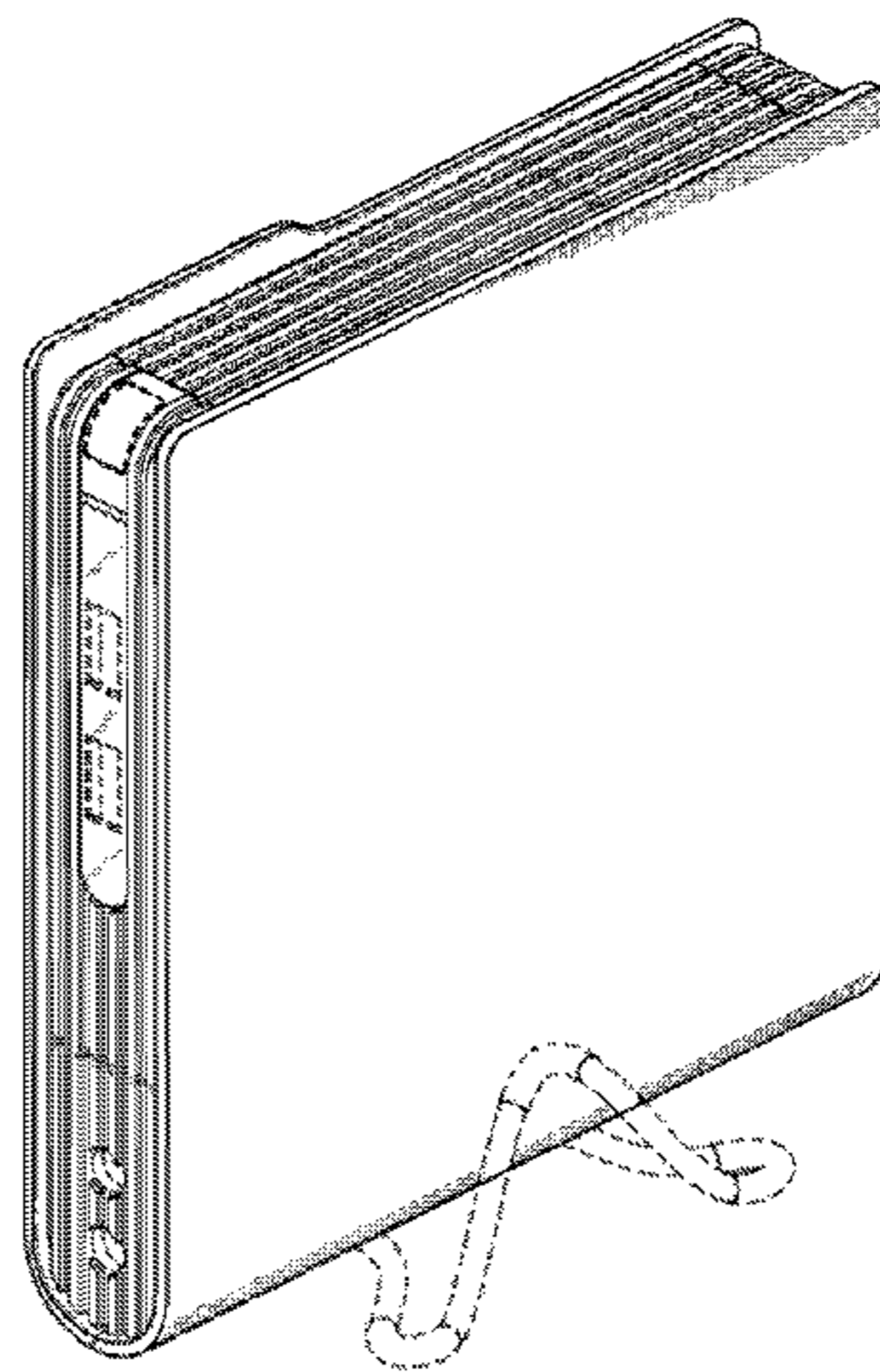
FIG. 5 is a right side elevational view thereof;

FIG. 6 is a top plan view thereof; and,

FIG. 7 is a bottom plan view thereof.

The broken lines showing of the various elements including the buttons, indicators, stand and input/output ports are for the purpose of illustrating unclaimed portions and form no part of the claimed design.

1 Claim, 7 Drawing Sheets



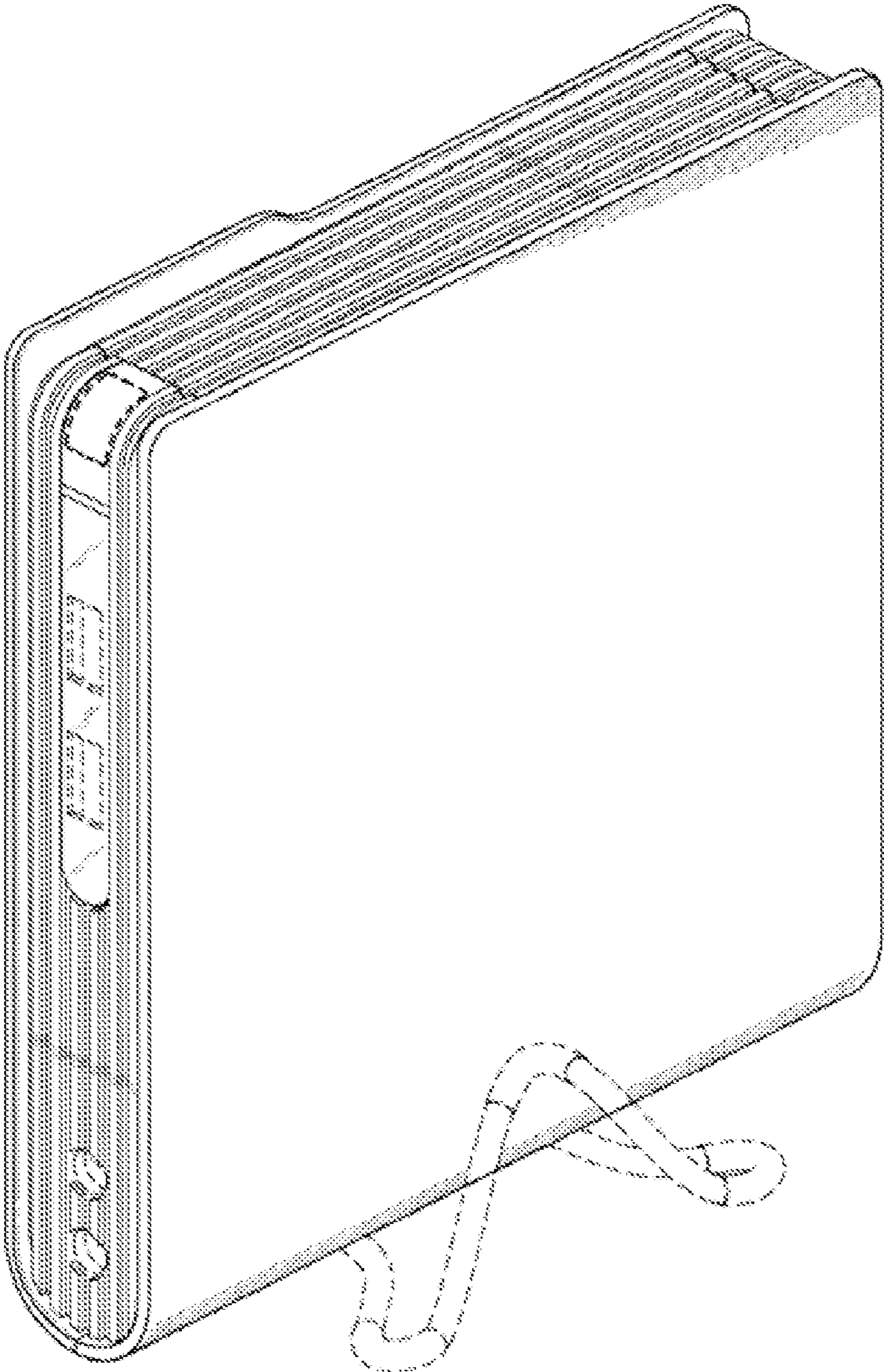


FIG. 1

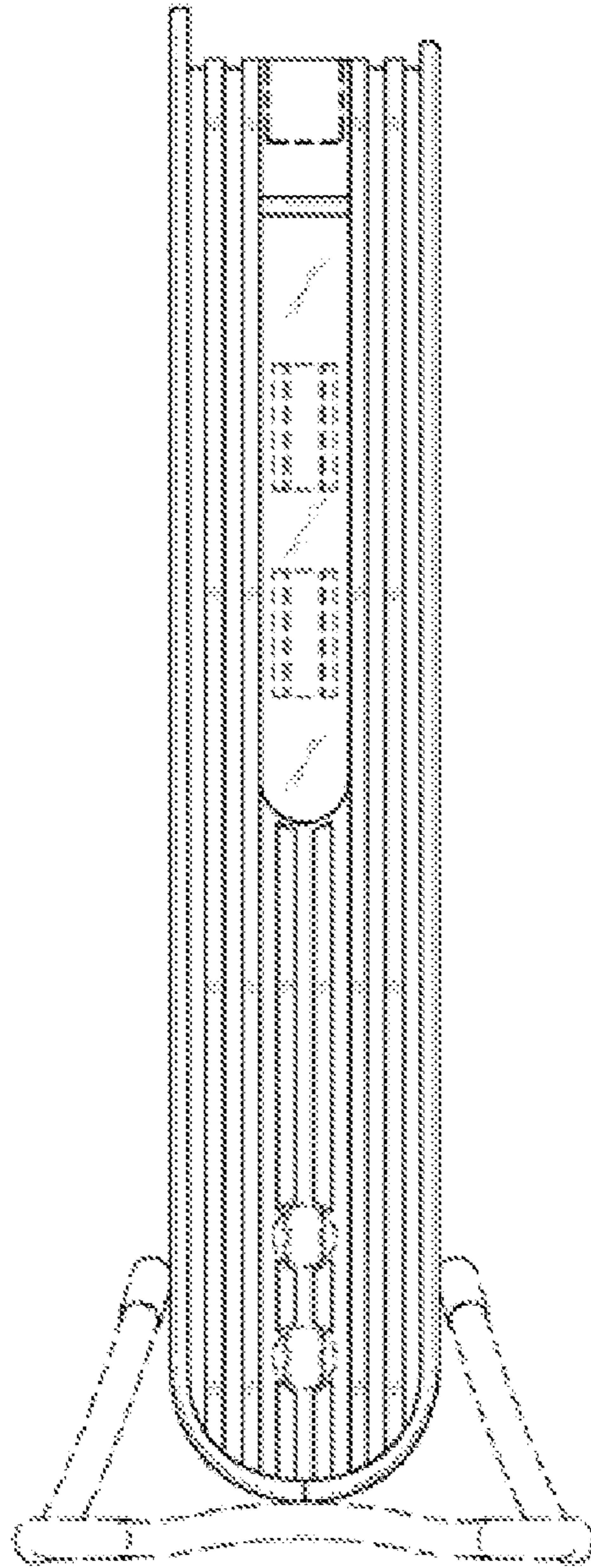


FIG. 2

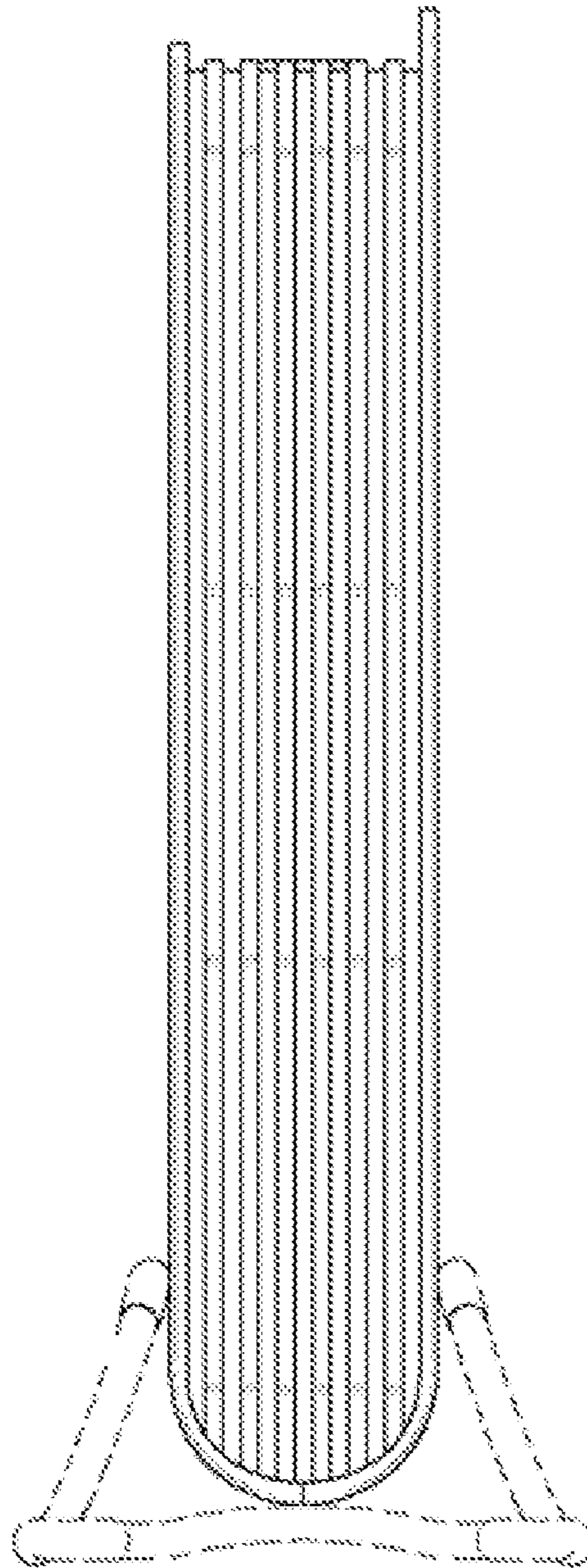


FIG. 3

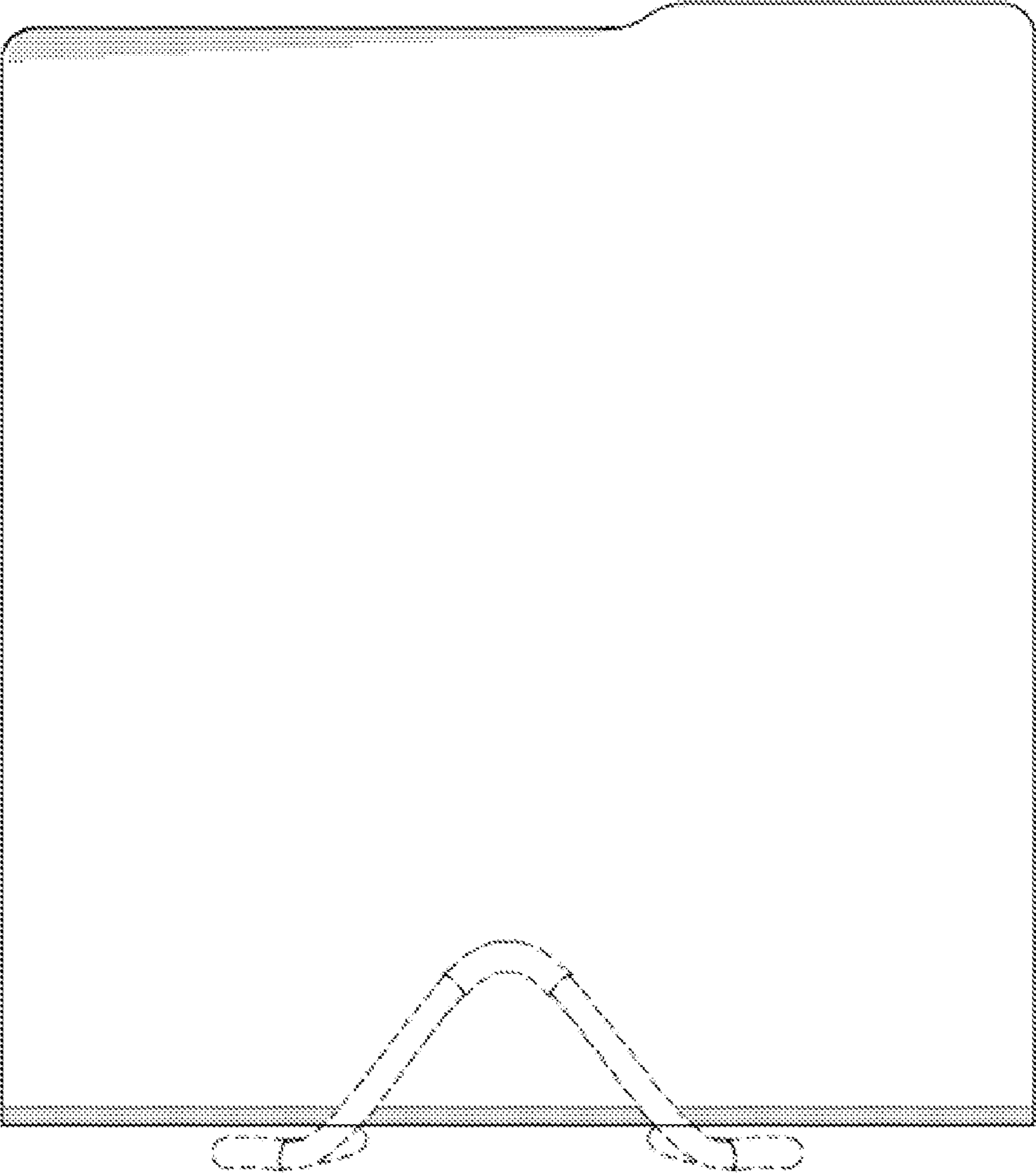


FIG. 4

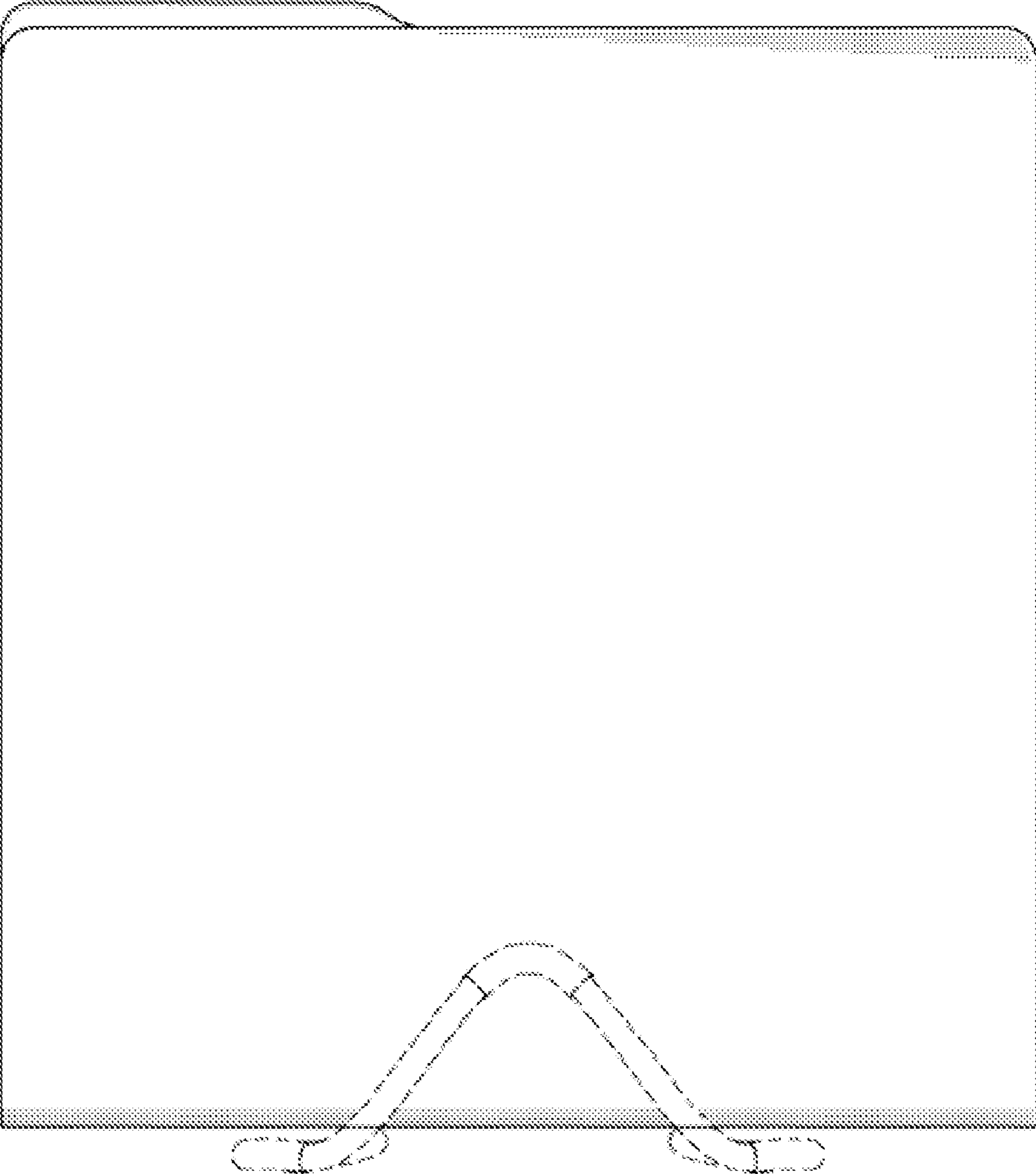


FIG. 5

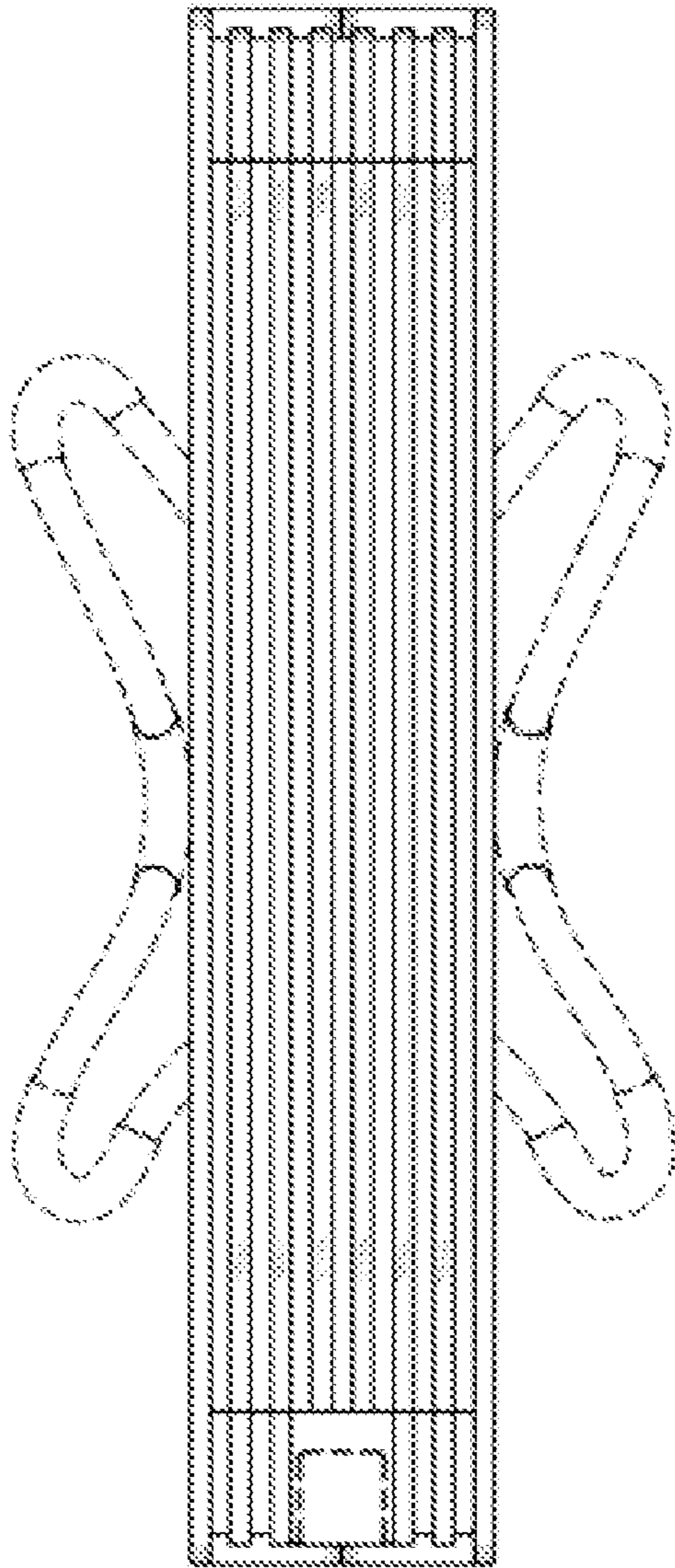


FIG. 6

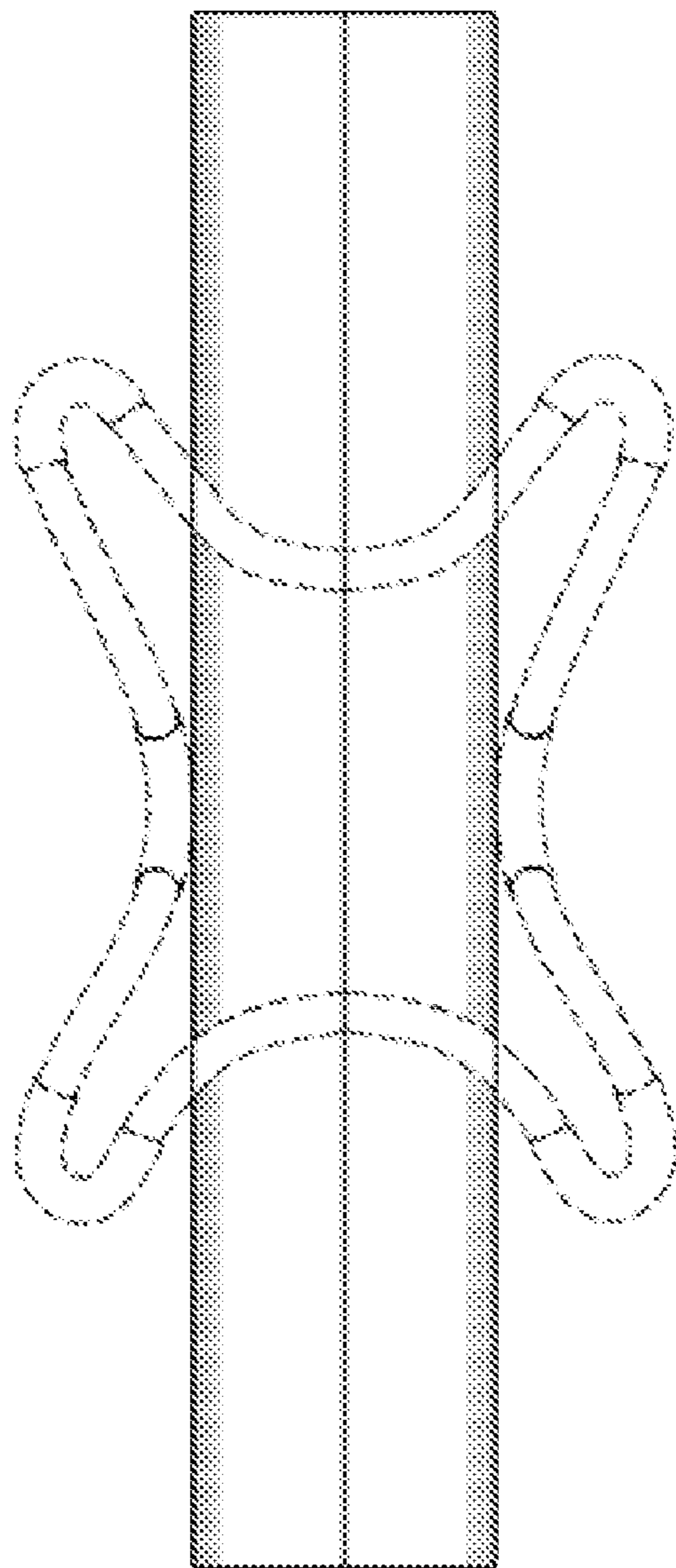


FIG. 7