



US00D625306S

(12) **United States Design Patent**
Miyawaki

(10) **Patent No.:** **US D625,306 S**

(45) **Date of Patent:** **** Oct. 12, 2010**

(54) **HANDHELD COMPUTER TERMINAL**

(75) Inventor: **Masayuki Miyawaki**, Chigasaki (JP)

(73) Assignee: **Clarion Co., Ltd.**, Tokyo (JP)

(**) Term: **14 Years**

(21) Appl. No.: **29/345,122**

(22) Filed: **Oct. 9, 2009**

(51) **LOC (9) Cl.** **14-02**

(52) **U.S. Cl.** **D14/341**

(58) **Field of Classification Search** D14/341-347,
D14/137, 138, 138.1, 138 AA, 138 R, 138 AB,
D14/138 AC, 138 AD, 138 C, 138 G, 496,
D14/203.1, 203.3, 203.4, 203.5, 203.6, 203.7,
D14/426, 427, 428, 432, 429, 129, 130, 420,
D14/439-441, 448, 125, 147, 156, 218, 247-248,
D14/250, 389, 336; D10/65, 104; D18/6-7;
D21/29, 686, 33, 324, 329, 330; D6/596,
D6/601, 605; D19/60; 345/169, 901, 905;
348/169; 361/814; 341/122; 346/173; 379/433.04,
379/433.07, 433.11, 433.12, 433.13, 910,
379/916, 433.01, 433.06
See application file for complete search history.

(56) **References Cited**

U.S. PATENT DOCUMENTS

D337,569 S * 7/1993 Kando D14/341
D515,082 S * 2/2006 Moskaluk et al. D14/341
D568,773 S * 5/2008 Hori D10/65
D573,044 S * 7/2008 Kalis et al. D10/65
D579,930 S * 11/2008 Maskatia D14/341

D589,382 S * 3/2009 Gretton D10/65
D589,384 S * 3/2009 Gretton D10/65
D594,356 S * 6/2009 Riddiford D10/65
D598,016 S * 8/2009 Han et al. D14/341
D602,487 S * 10/2009 Maskatia D14/341
D611,942 S * 3/2010 Kemery D14/341
D617,793 S * 6/2010 Chiang et al. D14/341

* cited by examiner

Primary Examiner—Cathron C Brooks

Assistant Examiner—Barbara Fox

(74) *Attorney, Agent, or Firm*—Oliff & Berridge, PLC

(57) **CLAIM**

The ornamental design for a handheld computer terminal, as shown and described.

DESCRIPTION

FIG. 1 is a front perspective view of a handheld computer terminal;

FIG. 2 is a rear perspective view;

FIG. 3 is a front view thereof;

FIG. 4 is a top view thereof;

FIG. 5 is a right-side view thereof;

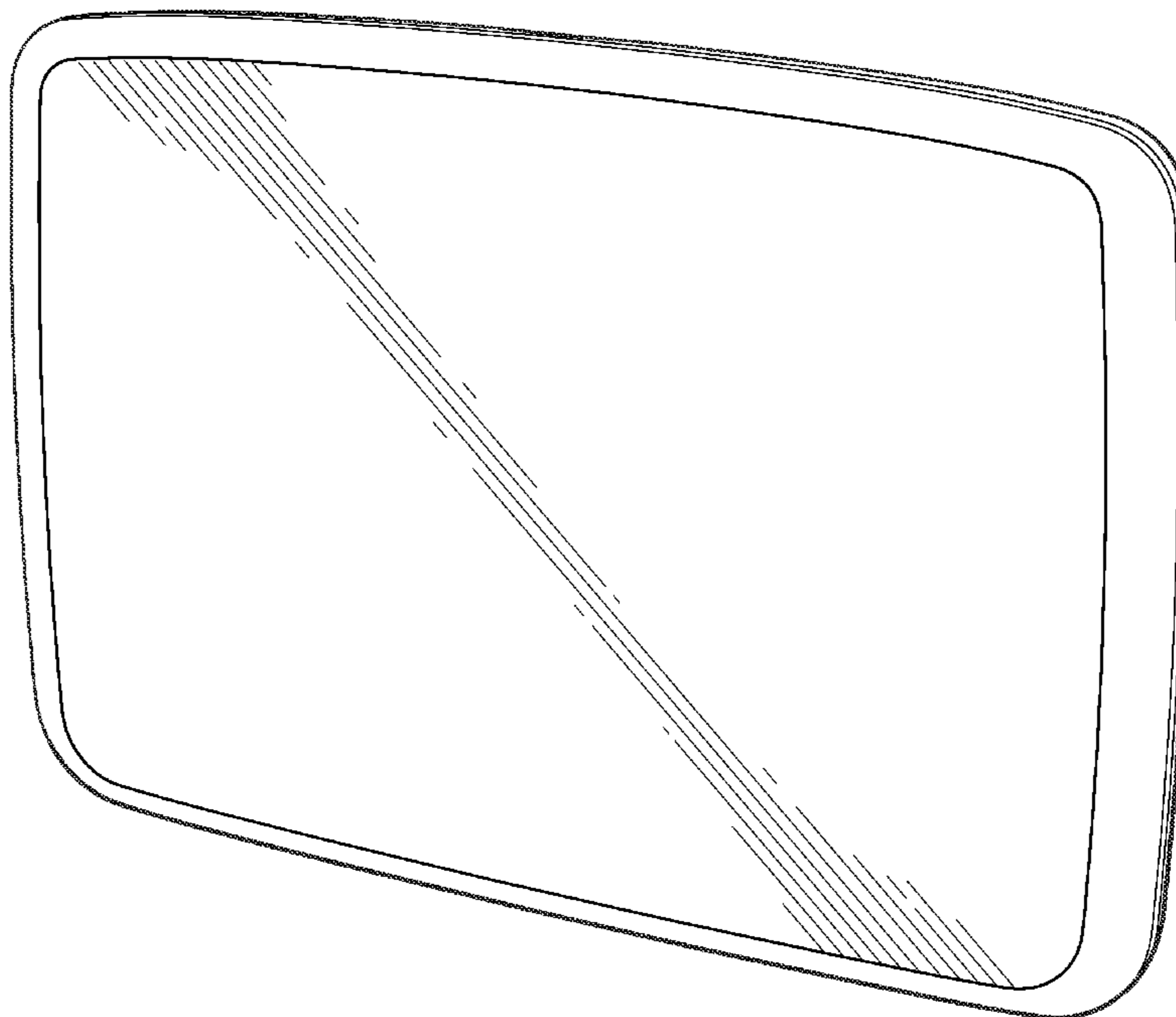
FIG. 6 is a left-side view thereof;

FIG. 7 is a rear view thereof; and

FIG. 8 is a bottom view thereof.

The broken lines depict environmental subject matter only and form no part of the claimed design.

1 Claim, 7 Drawing Sheets



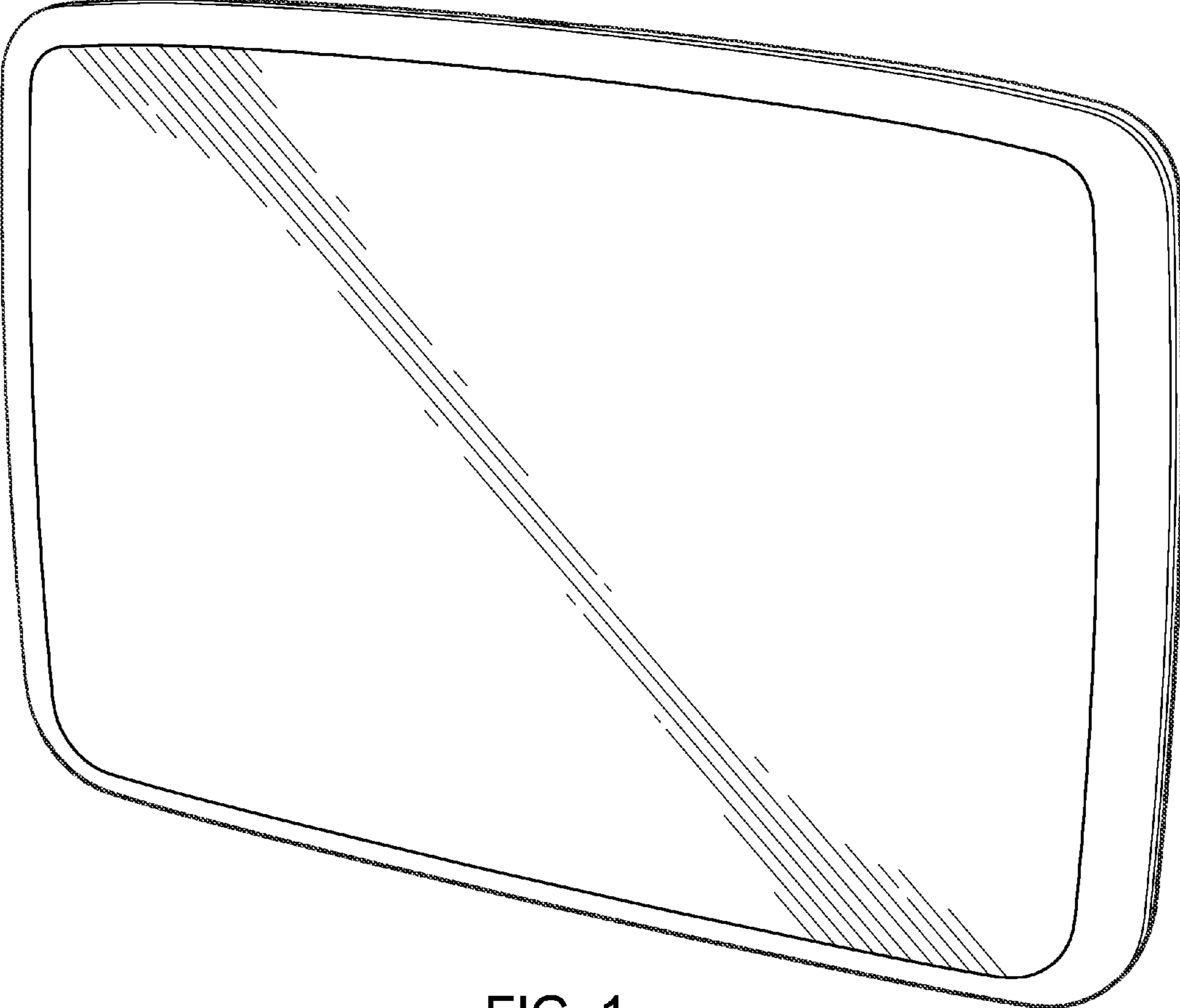


FIG. 1

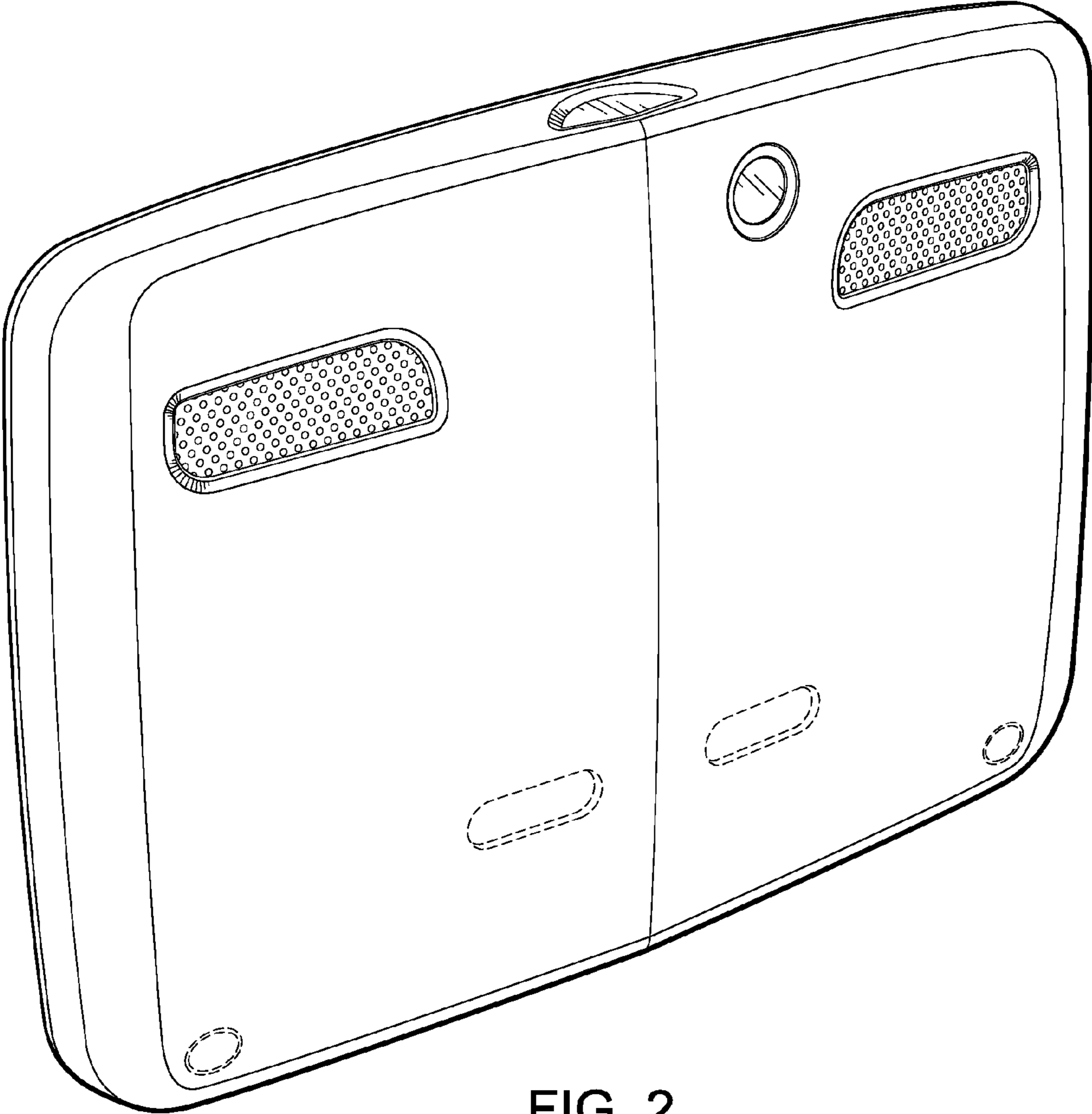


FIG. 2

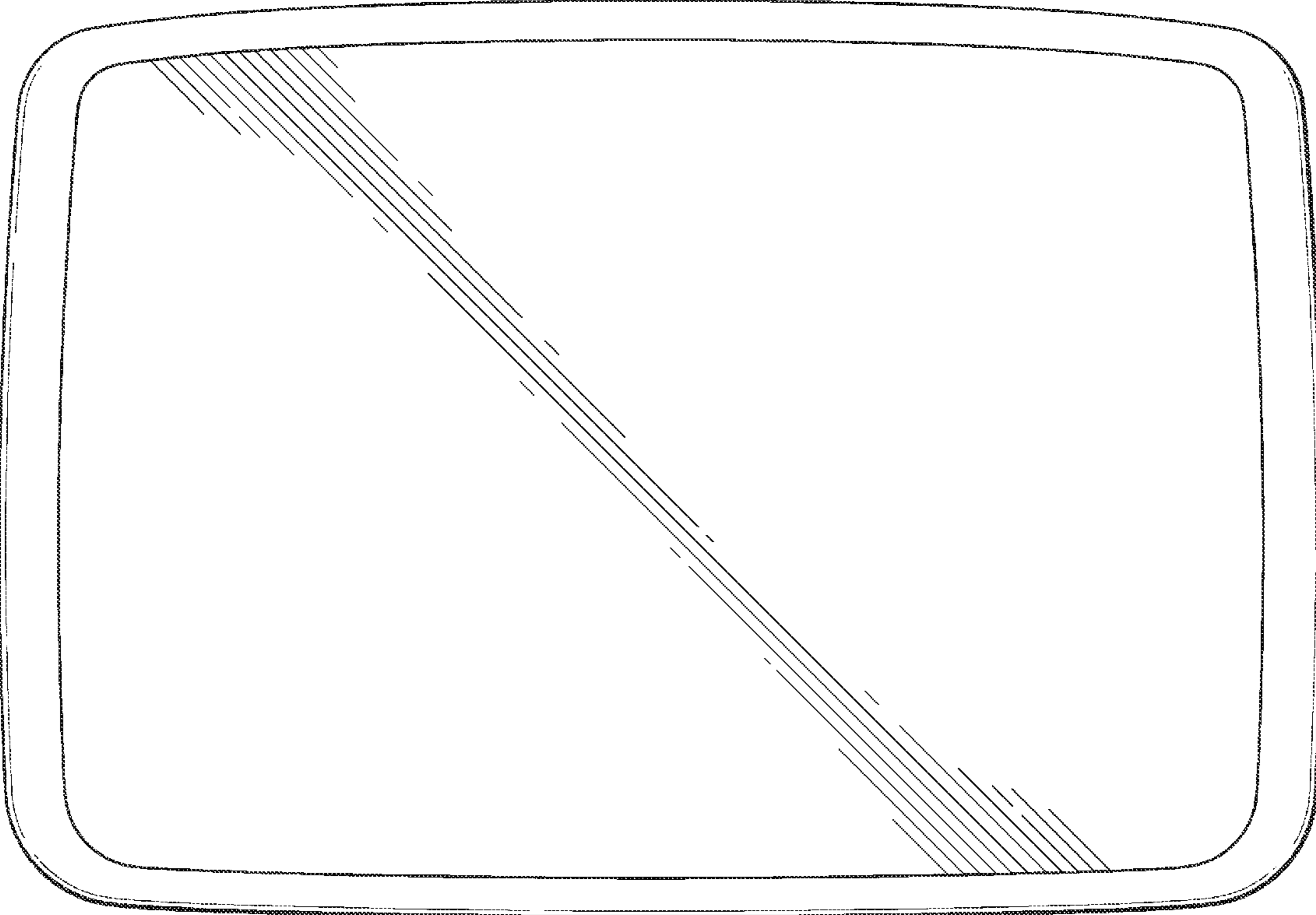


FIG. 3

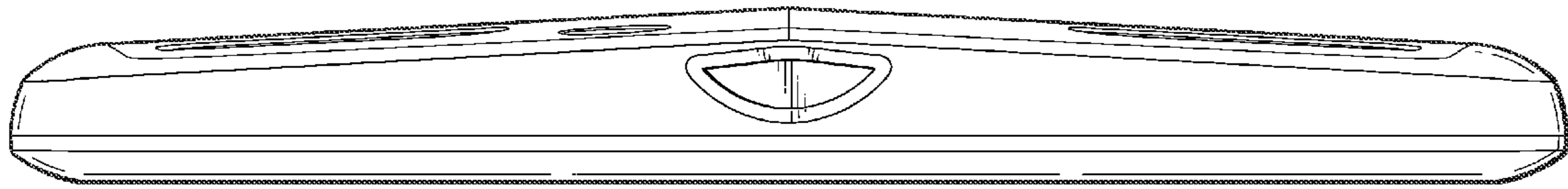


FIG. 4

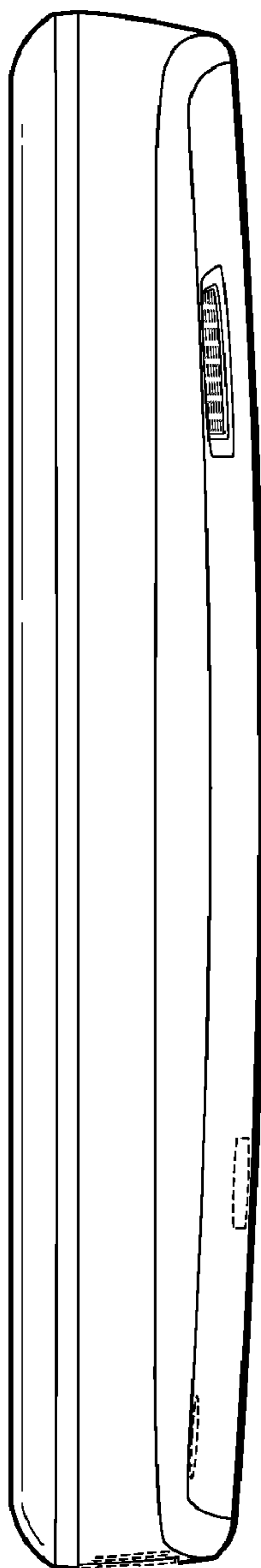


FIG. 5

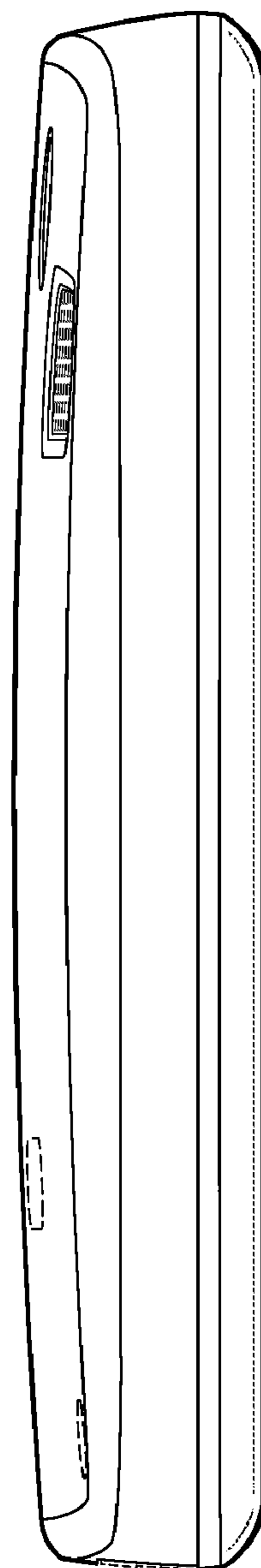


FIG. 6

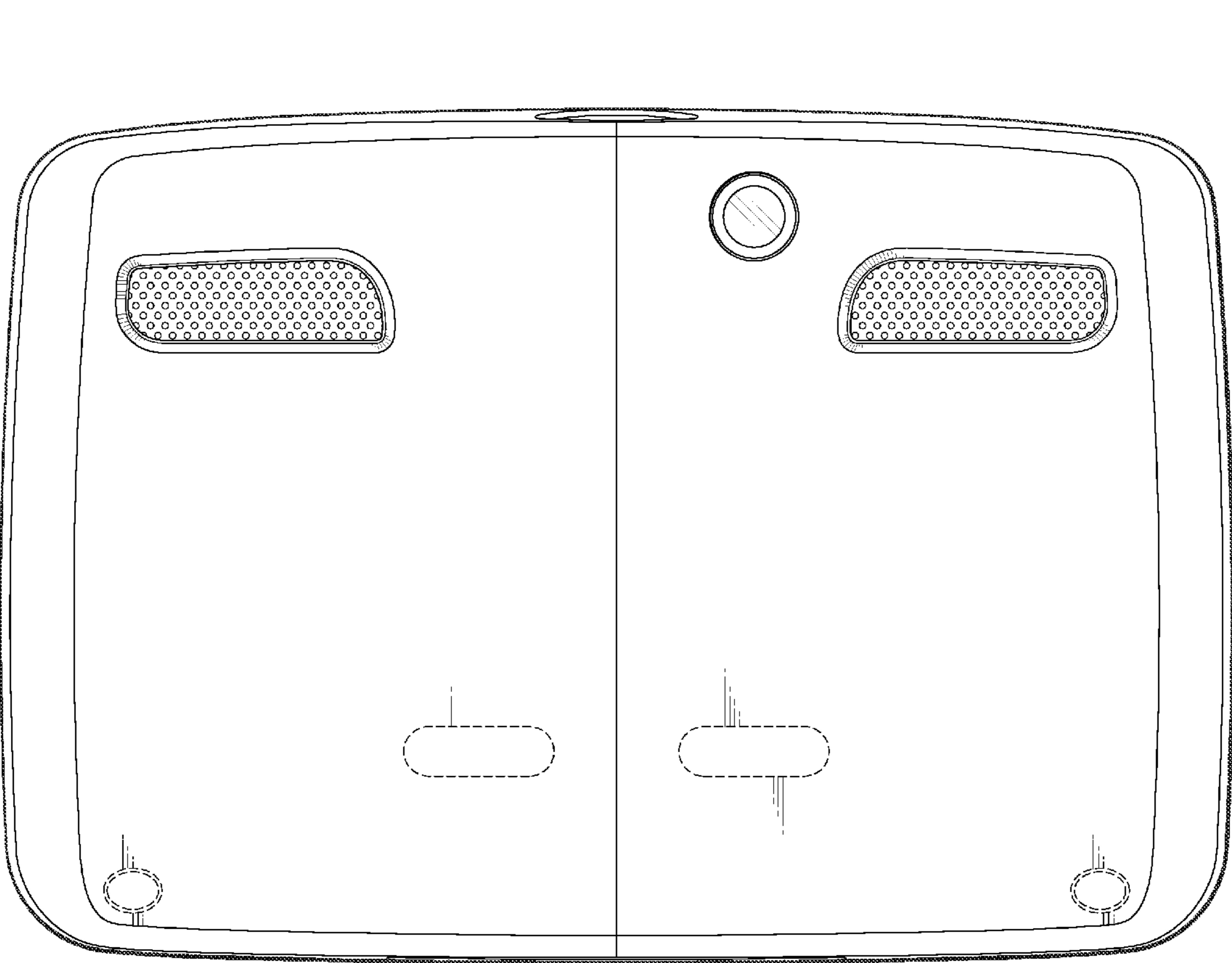


FIG. 7

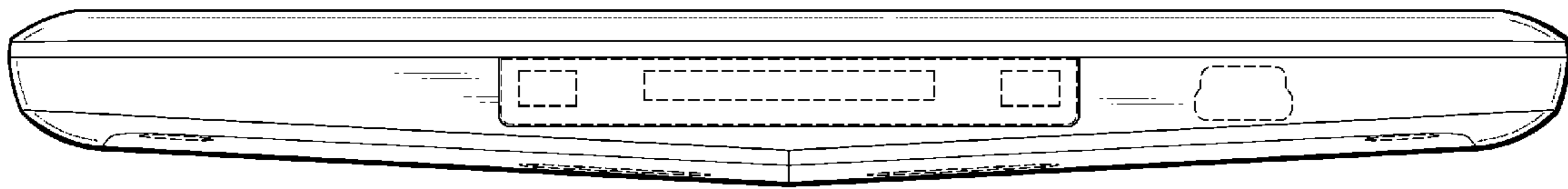


FIG. 8