



US00D625304S

(12) **United States Design Patent**  
**Armstrong**

(10) **Patent No.:** **US D625,304 S**  
(45) **Date of Patent:** **\*\* Oct. 12, 2010**

(54) **RESTAURANT KIOSK**

(76) Inventor: **Mark Armstrong**, 8251 Shell Beach Ct.,  
Las Vegas, NV (US) 89117

(\*\*) Term: **14 Years**

(21) Appl. No.: **29/346,700**

(22) Filed: **Nov. 4, 2009**

**Related U.S. Application Data**

(63) Continuation-in-part of application No. 12/551,700,  
filed on Sep. 1, 2009.

(51) **LOC (9) Cl.** ..... **14-02**

(52) **U.S. Cl.** ..... **D14/307**; D18/4.5; D14/902

(58) **Field of Classification Search** ..... D14/302–307,  
D14/371, 373, 374, 336, 341, 125–127, 129,  
D14/900–902; D13/163; D20/10; D21/329,  
D21/332, 325, 369, 370; D99/28; D6/402,  
D6/309, 310; D18/4.1–4.6; 235/379; 271/164;  
705/43, 715; 194/206; 361/679.1, 679.02,  
361/679.04, 679.21, 679.57, 724

See application file for complete search history.

(56) **References Cited**

**U.S. PATENT DOCUMENTS**

- D318,660 S \* 7/1991 Weber ..... D14/140.11
- D351,156 S \* 10/1994 Usami et al. .... D14/126
- D398,293 S \* 9/1998 Lindblom ..... D14/381
- D428,863 S \* 8/2000 Rahemtulla et al. .... D14/337
- D433,701 S \* 11/2000 Chiu ..... D18/4.6
- D447,137 S \* 8/2001 Hultzman ..... D14/336
- D451,917 S \* 12/2001 Rahemtulla et al. .... D14/337
- D459,813 S \* 7/2002 Ramsey, III ..... D24/186
- D463,304 S \* 9/2002 Berrios et al. .... D10/104
- 6,487,068 B1 \* 11/2002 Rahemtulla ..... 361/679.04

- D471,192 S \* 3/2003 Lin et al. .... D14/335
- D472,581 S \* 4/2003 Summers et al. .... D20/10
- D480,397 S \* 10/2003 Forsythe et al. .... D14/383
- D491,216 S \* 6/2004 Ookushi et al. .... D18/4.4
- D514,565 S \* 2/2006 Haygood ..... D14/371
- D515,145 S \* 2/2006 Martin ..... D21/369
- D527,759 S \* 9/2006 Ono ..... D18/4.5
- D528,585 S \* 9/2006 Ono ..... D18/4.5
- D542,333 S \* 5/2007 Ando et al. .... D18/4.6
- D546,950 S \* 7/2007 Orth ..... D24/164
- D576,578 S \* 9/2008 Calverley ..... D14/126
- D588,186 S \* 3/2009 Yamakawa ..... D18/4.5
- D598,045 S \* 8/2009 Iwata et al. .... D18/4.5
- 7,584,119 B2 \* 9/2009 Armstrong ..... 705/15
- D614,687 S \* 4/2010 Ono ..... D18/4.5
- 2009/0319381 A1 \* 12/2009 Armstrong ..... 705/15

\* cited by examiner

*Primary Examiner*—Stella M Reid  
*Assistant Examiner*—Deanna Fluegeman  
(74) *Attorney, Agent, or Firm*—Dale J. Ream

(57) **CLAIM**

The ornamental design for a restaurant kiosk, as shown and described.

**DESCRIPTION**

FIG. 1 is a perspective view of a restaurant kiosk showing my new design;

FIG. 2 is a front view thereof;

FIG. 3 is a back view thereof;

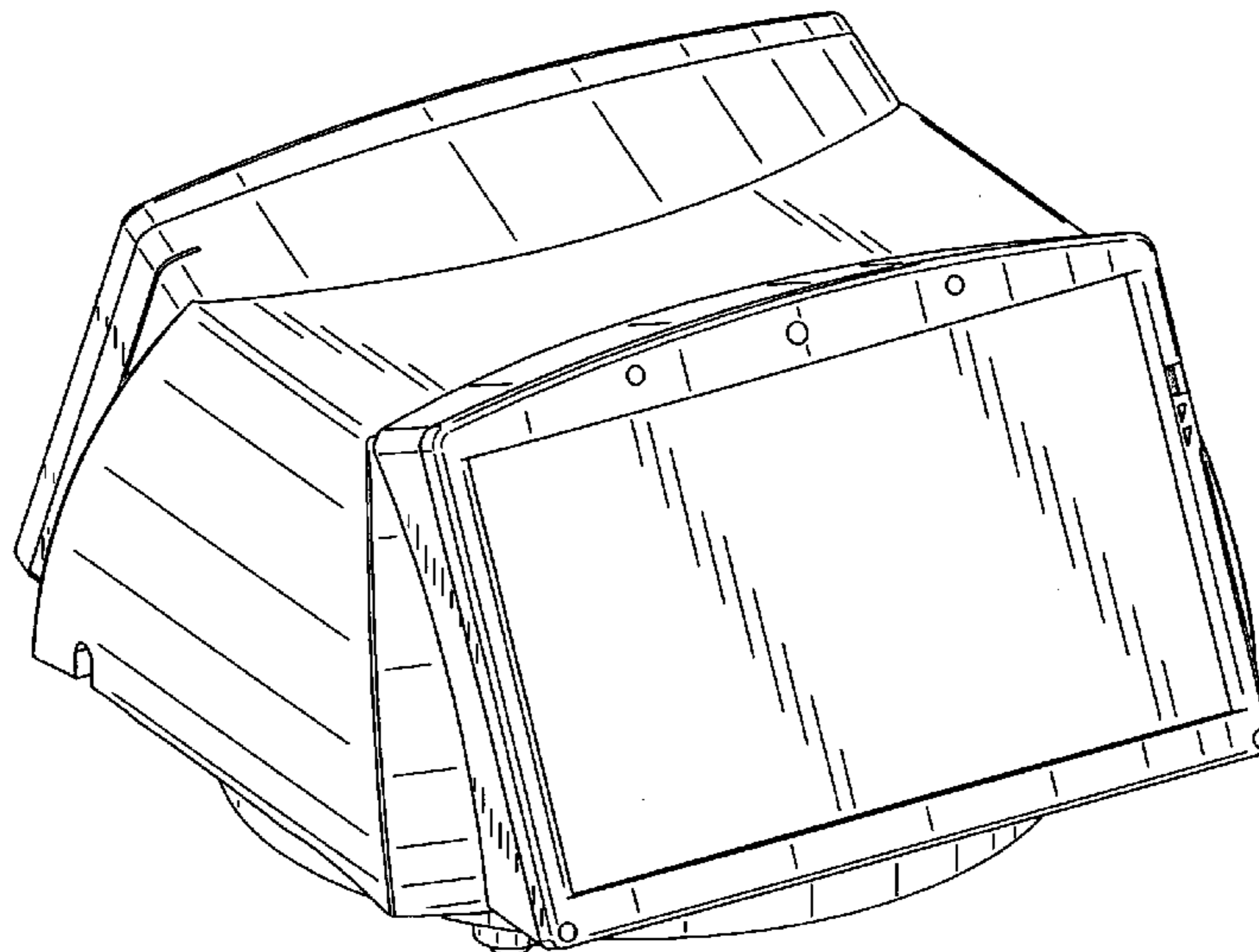
FIG. 4 is a right side view thereof;

FIG. 5 is a left side view thereof;

FIG. 6 is a top view thereof; and,

FIG. 7 is a bottom view thereof.

**1 Claim, 5 Drawing Sheets**



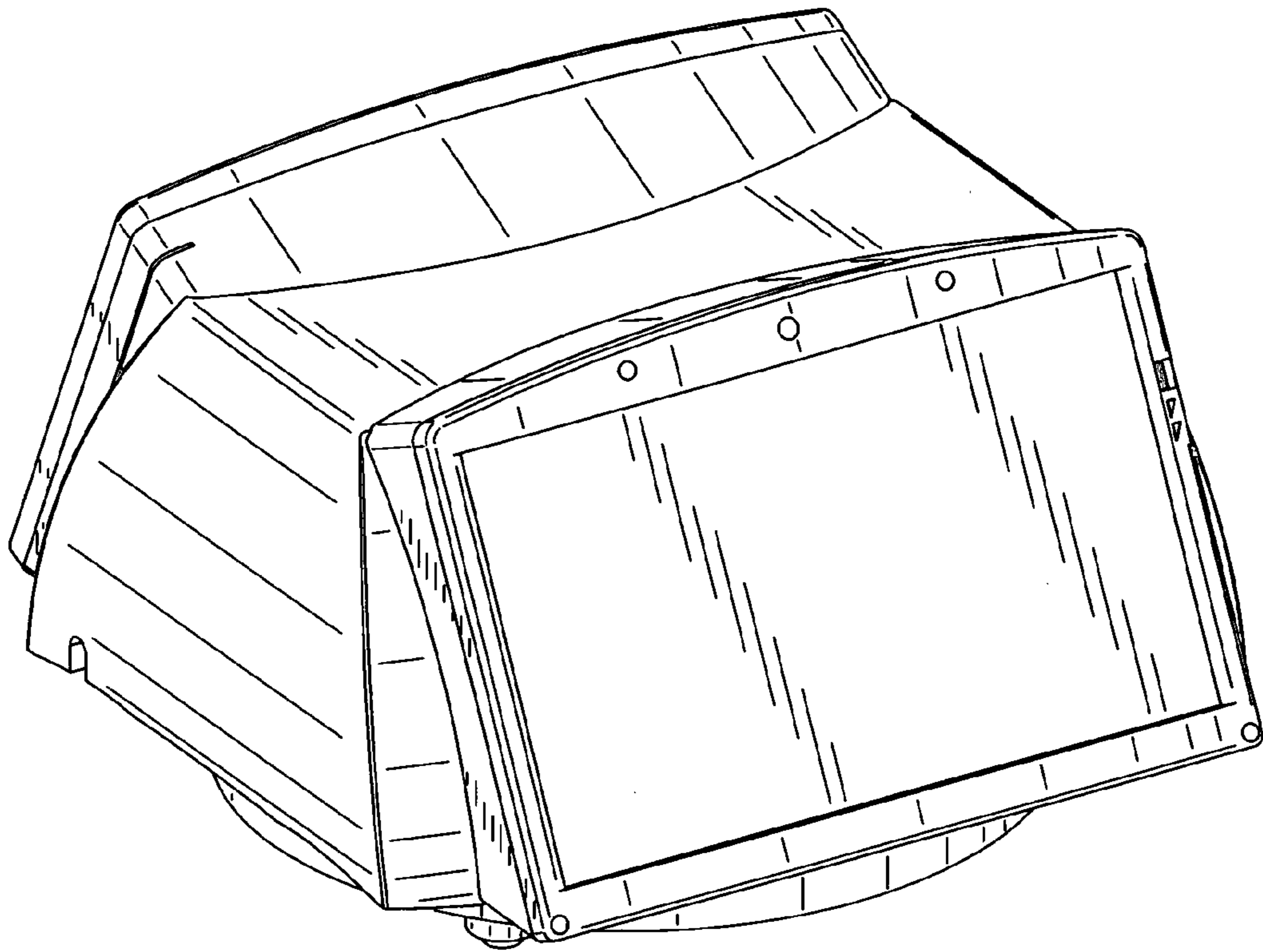


FIG. 1

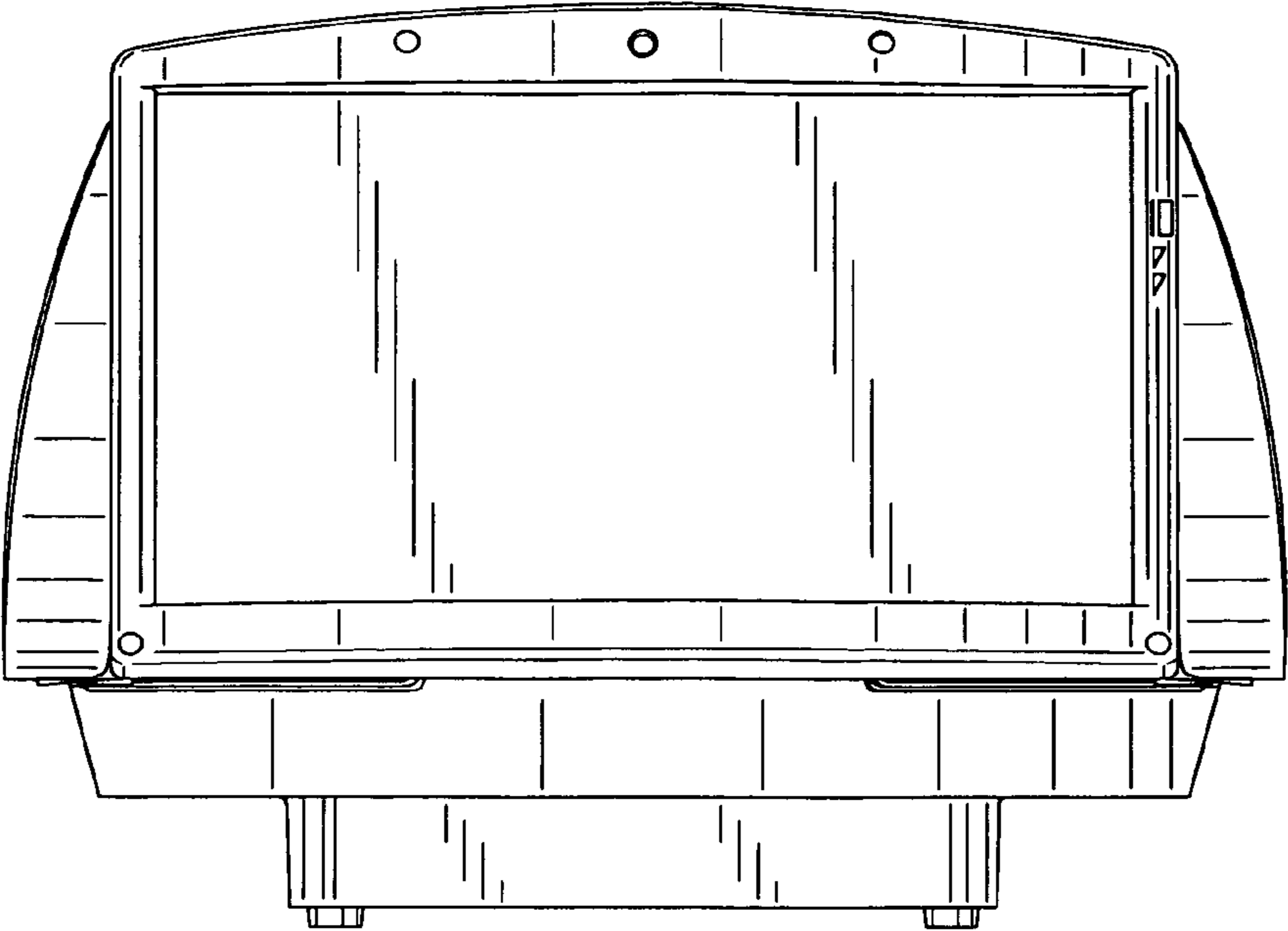


FIG. 2

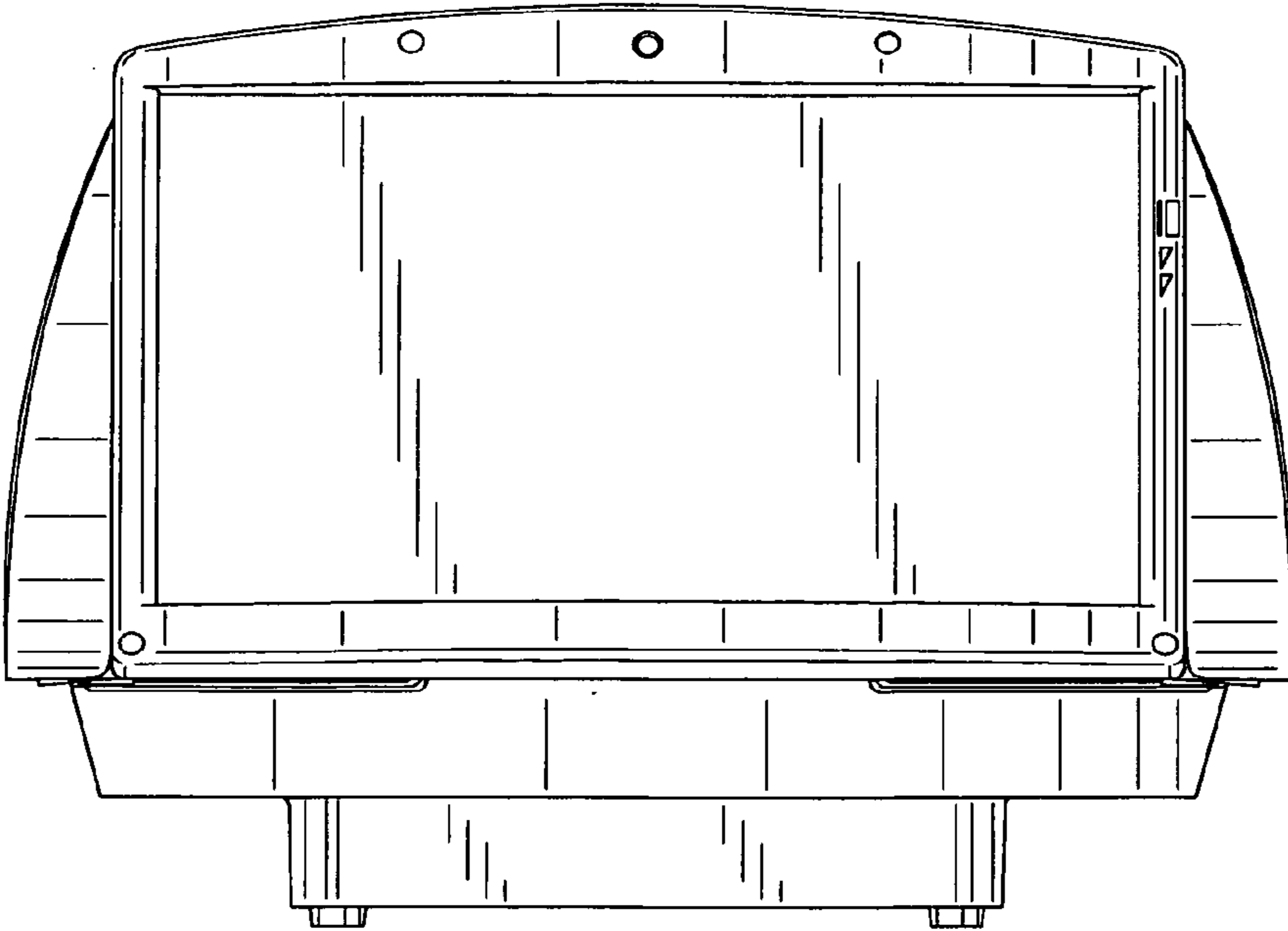


FIG. 3

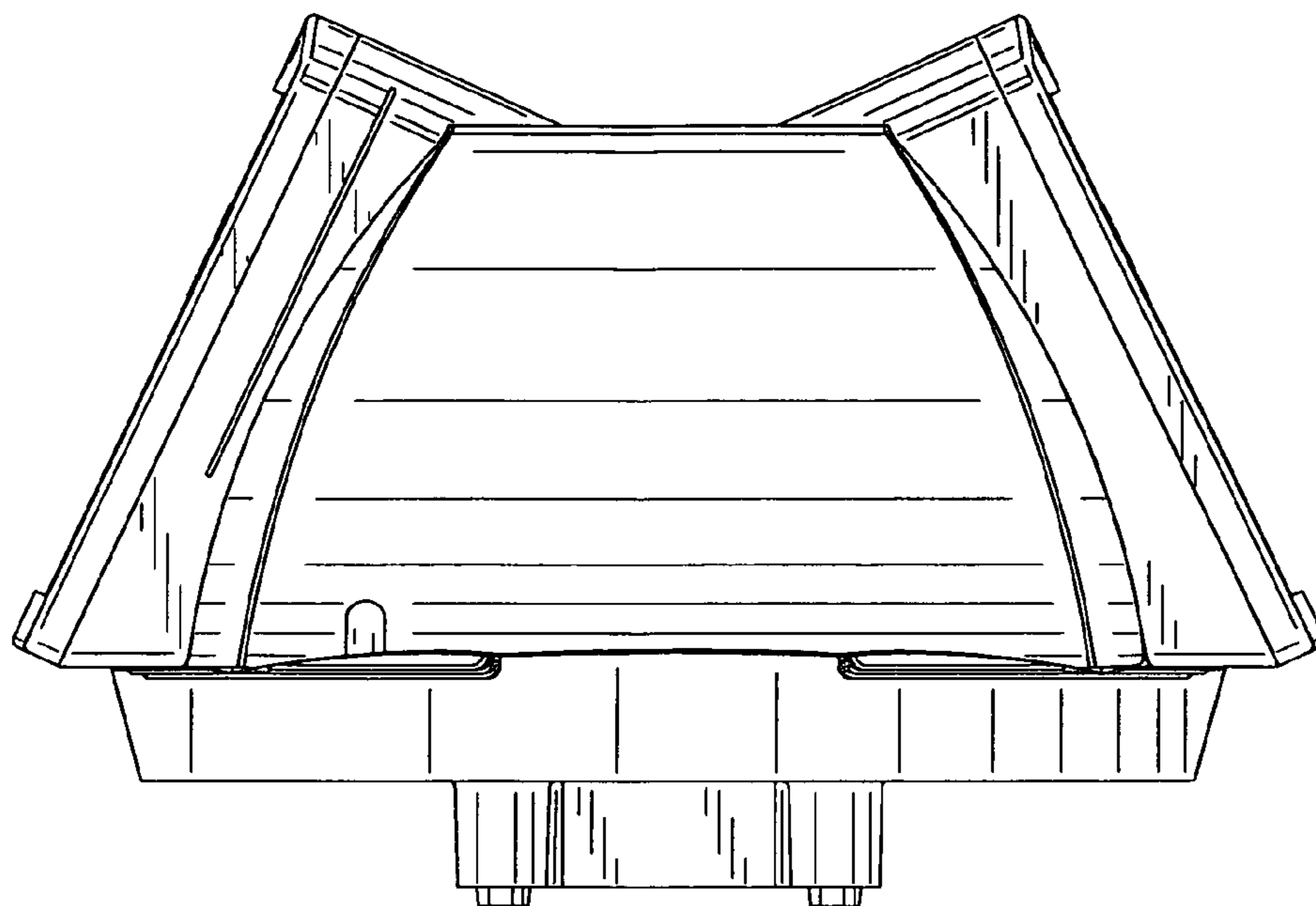


FIG. 4

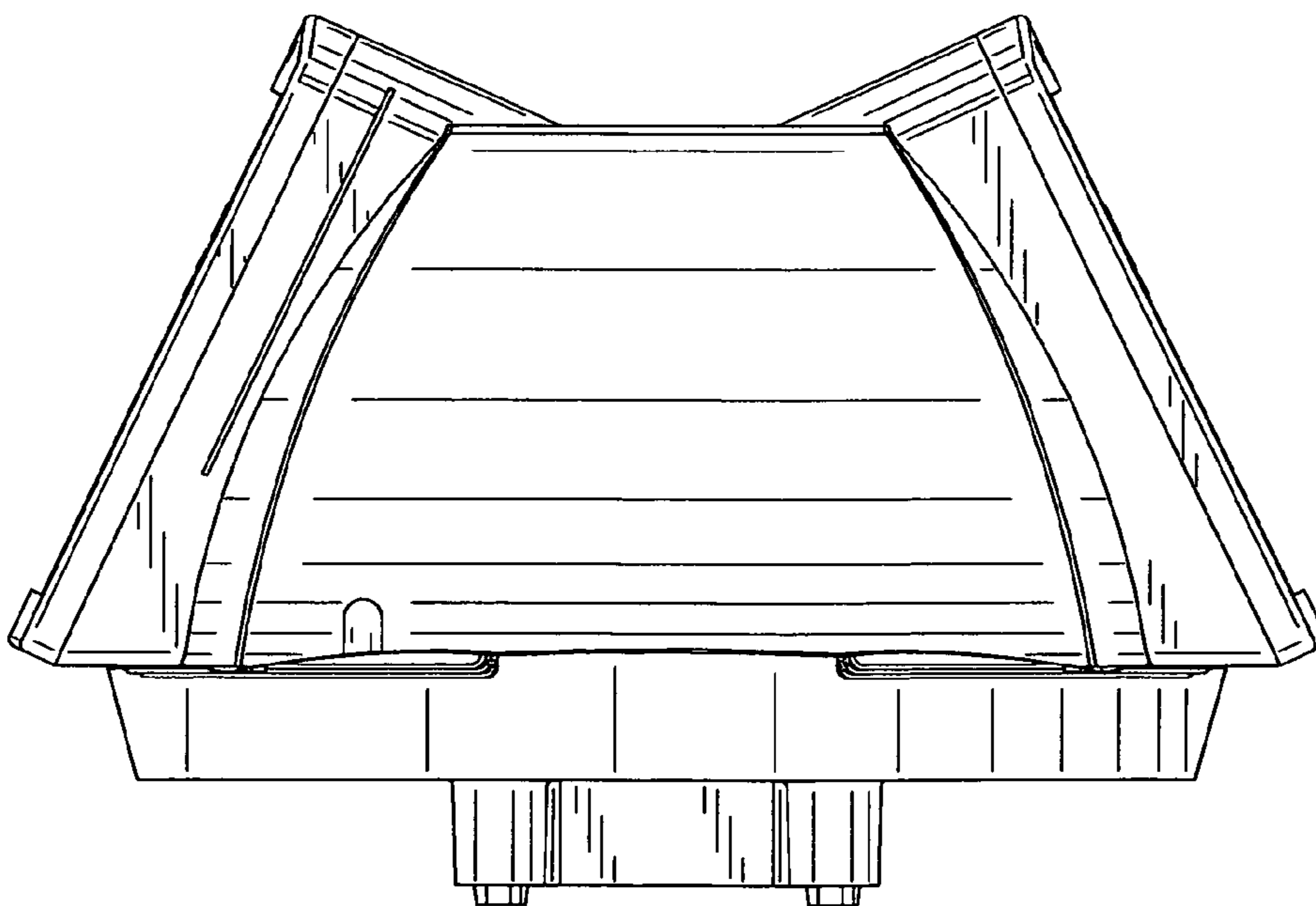


FIG. 5

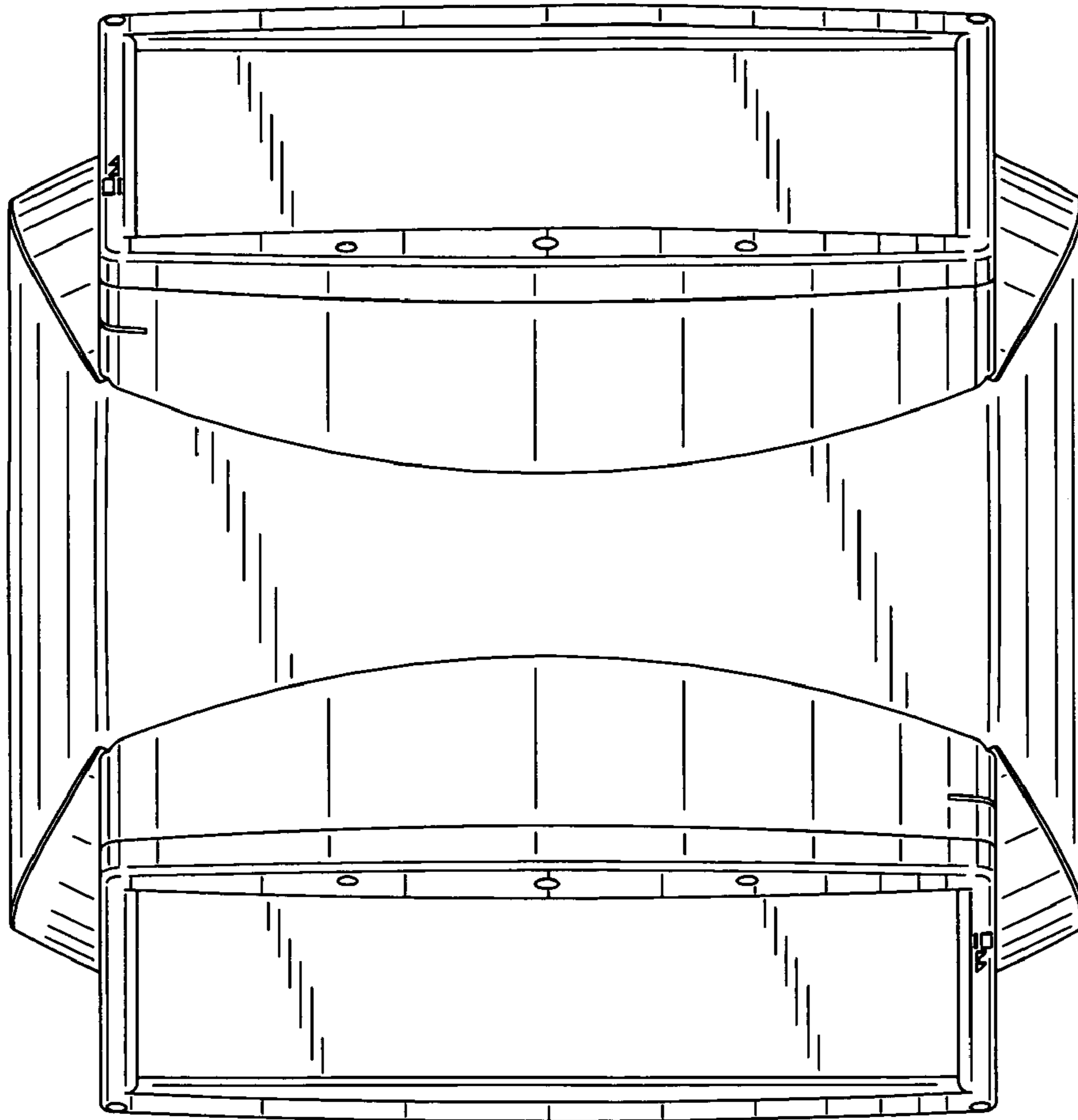


FIG. 6

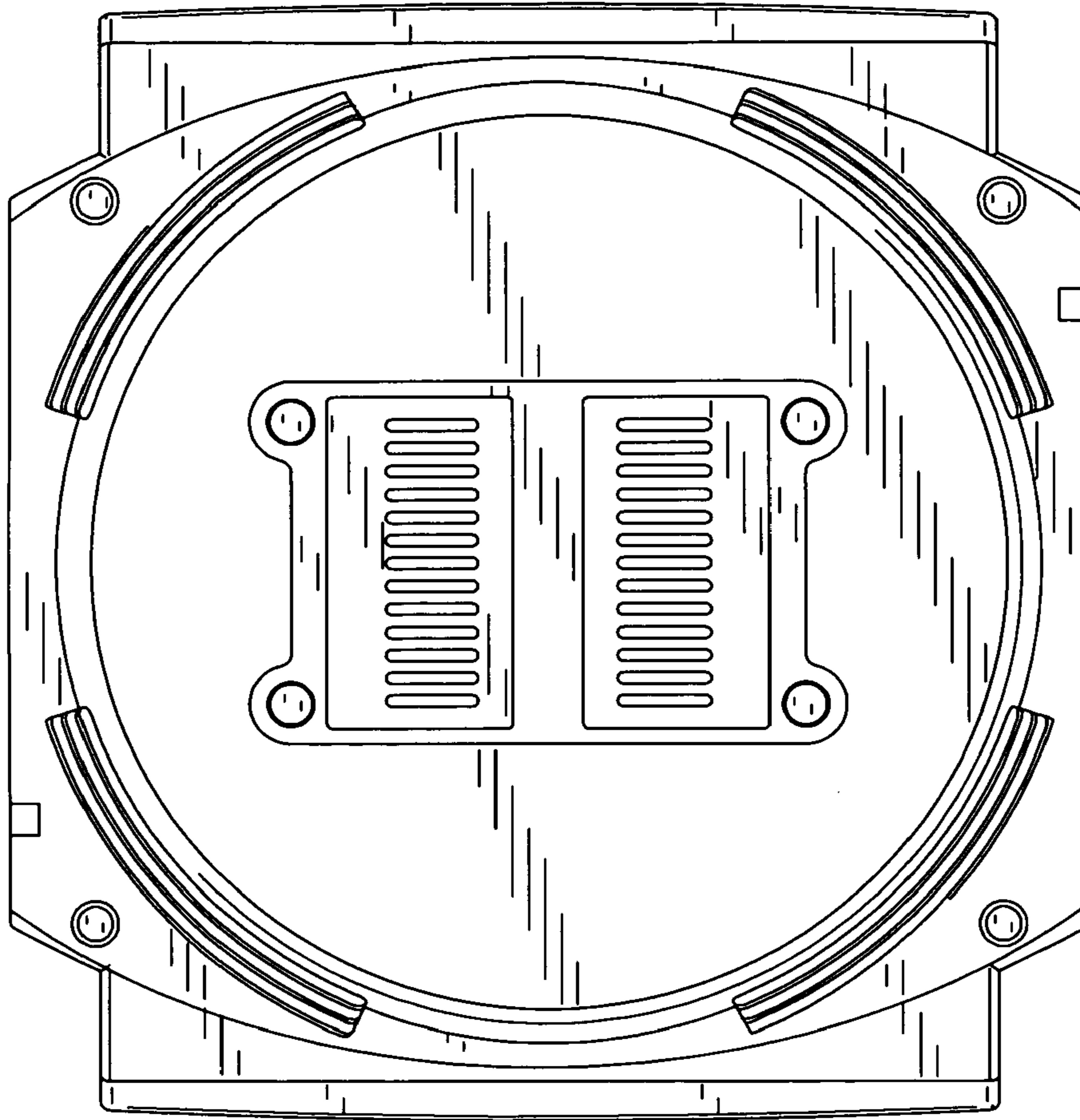


FIG. 7