

US00D625300S

(12) **United States Design Patent**
Stifal et al.

(10) **Patent No.:** **US D625,300 S**
(45) **Date of Patent:** **** Oct. 12, 2010**

- (54) **DISPLAY MOUNT**
- (75) Inventors: **Matthew William Stifal**, Portage, IN (US); **James D. Walters**, Saint Charles, IL (US)
- (73) Assignee: **Peerless Industries, Inc.**, Aurora, IL (US)
- (**) Term: **14 Years**
- (21) Appl. No.: **29/355,713**
- (22) Filed: **Feb. 12, 2010**
- (51) **LOC (9) Cl.** **14-03**
- (52) **U.S. Cl.** **D14/239**
- (58) **Field of Classification Search** D14/125–134, D14/239, 371, 136, 374–377; D8/363, 373, D8/349, 394; 248/465, 917–924, 123.11; 348/825, 827, 836, 837, 838, 180, 184, 325, 348/739; 600/443; D6/477–479, 407, 474, D6/460, 461, 468; 312/7.2; 341/12; 345/87, 345/104, 133, 156, 168, 169, 173; 720/605, 720/669, 600, 655; 369/99, 197; 455/344–347; 349/1, 2, 11, 62; 108/59, 91, 92, 96; 211/40, 211/41.12, 42, 49.1, 50, 85.2, 90.04, 187, 211/190, 119.003, 134.153, 87.01, 71.01

See application file for complete search history.

(56) **References Cited**

U.S. PATENT DOCUMENTS

2,697,572 A 12/1954 Pfankuch

(Continued)

FOREIGN PATENT DOCUMENTS

WO WO 03/036950 A1 5/2003

OTHER PUBLICATIONS

U.S. Appl. No. 12/704,777, filed Feb. 12, 2010, Stifal et al.

Primary Examiner—Raphael Barkai

Assistant Examiner—Randall H Gholson

(74) *Attorney, Agent, or Firm*—Foley & Lardner LLP

(57) **CLAIM**

We claim the ornamental design for a display mount, as shown and described.

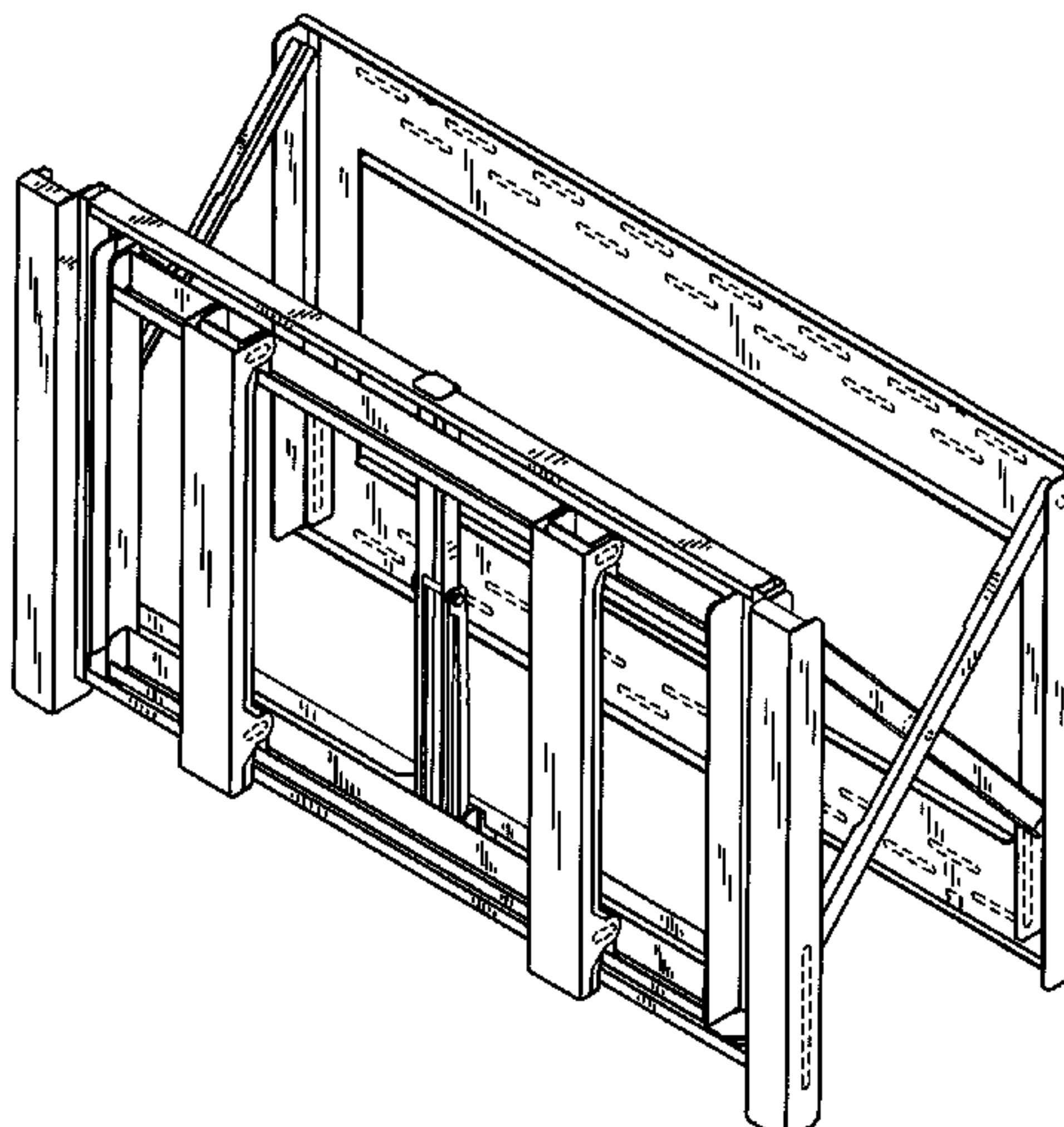
DESCRIPTION

FIG. 1 is a first front perspective view of a display mount showing our new design;

- FIG. 2 is a rear perspective view thereof;
- FIG. 3 is a second front perspective view thereof;
- FIG. 4 is a front elevational view thereof;
- FIG. 5 is a rear elevational view thereof;
- FIG. 6 is a right side elevational view thereof;
- FIG. 7 is a left side elevational view thereof;
- FIG. 8 is a top plan view thereof;
- FIG. 9 is a bottom plan view thereof;
- FIG. 10 is a rear elevational view of a portion thereof, with the rear bracket and the arm assemblies removed for clarity of illustration;
- FIG. 11 is a first front perspective view showing a second position of the display mount of FIG. 1;
- FIG. 12 is a rear perspective view of the display mount in FIG. 11;
- FIG. 13 is a second front perspective view of the display mount in FIG. 11;
- FIG. 14 is a front elevational view of the display mount in FIG. 11;
- FIG. 15 is a rear elevational view of the display mount in FIG. 11;
- FIG. 16 is a right side elevational view of the display mount in FIG. 11;
- FIG. 17 is a left side elevational view of the display mount in FIG. 11;
- FIG. 18 is a top plan view of the display mount in FIG. 11;
- FIG. 19 is a bottom plan view of the display mount in FIG. 11; and,
- FIG. 20 is a rear elevational view of a portion of the display mount in FIG. 11, with the rear bracket and the arm assemblies removed for clarity of illustration.

The broken lines shown are for illustrative purposes only and form no part of the claimed design.

1 Claim, 20 Drawing Sheets



US D625,300 S

Page 2

U.S. PATENT DOCUMENTS						
2,791,388 A	5/1957	Hirt	7,300,029 B2 *	11/2007	Petrick et al.	248/285.1
4,611,779 A	9/1986	Leonard, Jr.	D560,671 S *	1/2008	Muday et al.	D14/451
5,138,134 A	8/1992	Ellison	7,316,379 B1	1/2008	Graham	
5,947,438 A	9/1999	Lemire	D570,852 S *	6/2008	Muday et al.	D14/451
6,003,825 A	12/1999	Abernathy, Jr.	7,380,760 B2	6/2008	Dittmer	
6,032,915 A	3/2000	Brindisi	7,387,286 B2	6/2008	Dittmer et al.	
6,095,479 A	8/2000	Brindisi	7,395,996 B2	7/2008	Dittmer	
6,241,210 B1	6/2001	Brindisi	7,438,269 B2	10/2008	Pfister et al.	
6,283,434 B1	9/2001	Holder	7,510,156 B1	3/2009	Yaeger	
6,550,739 B1	4/2003	Brindisi	2002/0033436 A1 *	3/2002	Peng et al.	248/284.1
6,554,242 B2 *	4/2003	Kim 248/371	2002/0179791 A1	12/2002	Kwon	
6,578,812 B2	6/2003	Lemire	2002/0179801 A1 *	12/2002	Kim 248/441.1	
D488,708 S	4/2004	Lam et al.	2003/0141425 A1	7/2003	Obdeijn	
D489,599 S	5/2004	Lam	2005/0087661 A1	4/2005	Rabenius	
D493,800 S	8/2004	Pfister et al.	2005/0097586 A1	5/2005	Hara et al.	
D494,596 S	8/2004	Pfister	2005/0110911 A1	5/2005	Childrey et al.	
D505,858 S	6/2005	O'Keene	2005/0133678 A1 *	6/2005	Dittmer 248/274.1	
6,905,101 B1 *	6/2005	Dittmer 248/274.1	2005/0167549 A1	8/2005	Ligertwood	
7,028,961 B1	4/2006	Dittmer et al.	2005/0236542 A1	10/2005	O'Neill	
D528,901 S	9/2006	David	2006/0006295 A1	1/2006	Gainer	
D530,595 S	10/2006	Lam et al.	2006/0231711 A1	10/2006	Shin	
7,152,836 B2	12/2006	Pfister et al.	2007/0023593 A1	2/2007	Fedewa	
7,178,775 B2	2/2007	Pfister et al.	2007/0083880 A1	4/2007	Bae	
D538,632 S	3/2007	Ly Hau et al.	2007/0158515 A1	7/2007	Dittmer et al.	
D539,125 S	3/2007	Ly Hau et al.	2008/0078907 A1 *	4/2008	Huang 248/276.1	
D539,128 S	3/2007	Ly Hau et al.	2009/0050763 A1	2/2009	Dittmer	
D539,637 S	4/2007	Ly Hau et al.				

* cited by examiner

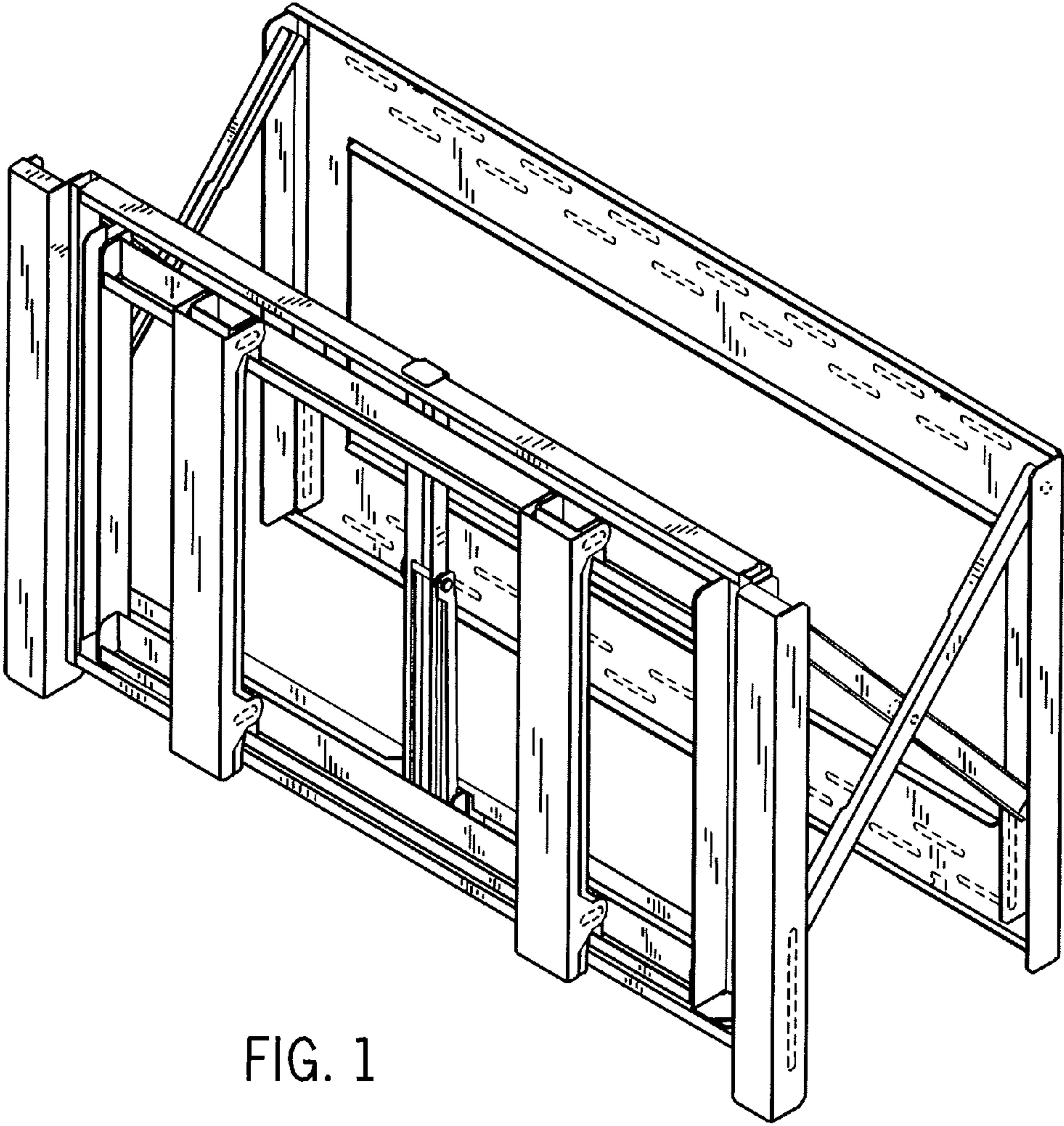


FIG. 1

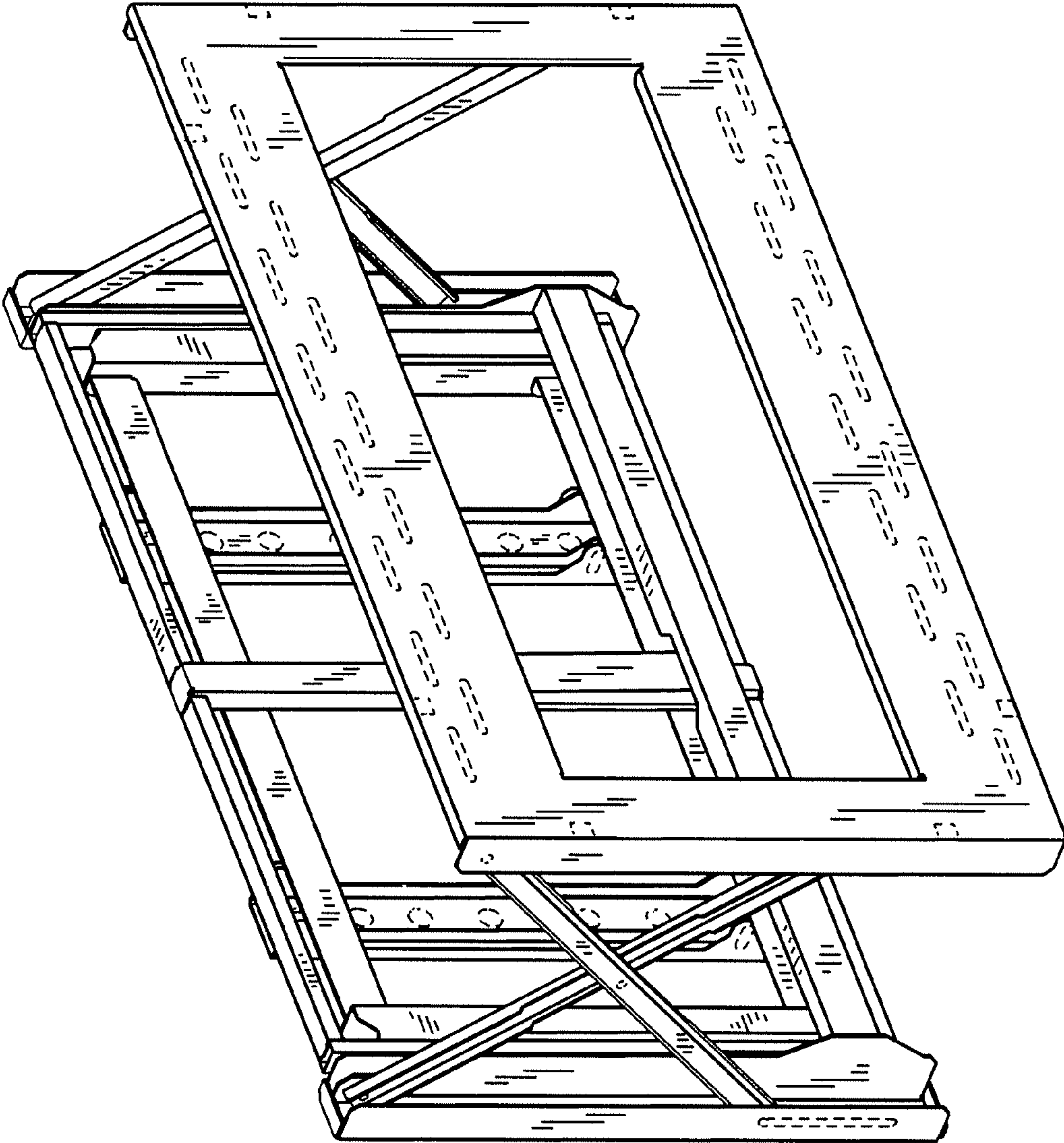


FIG. 2

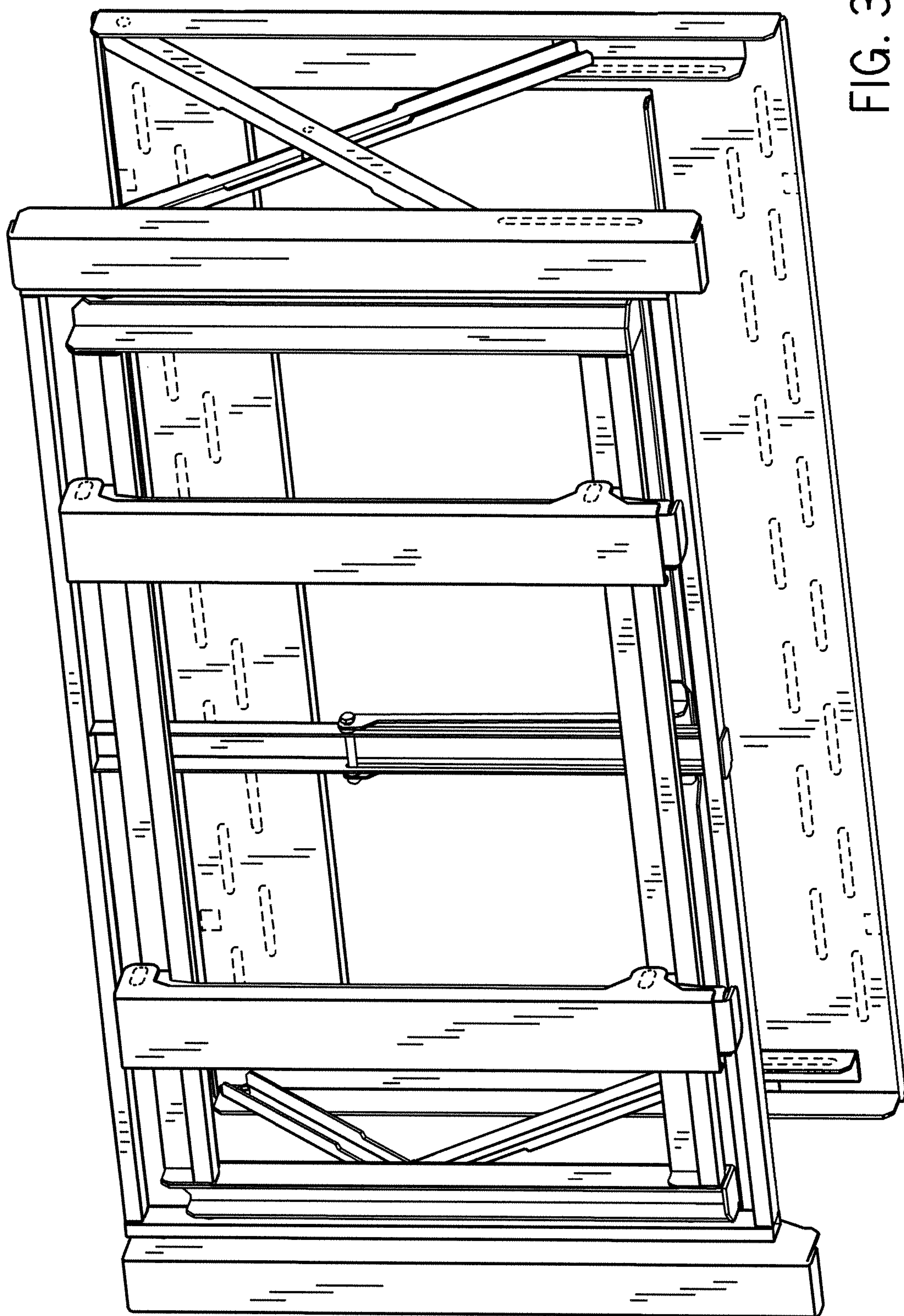


FIG. 3

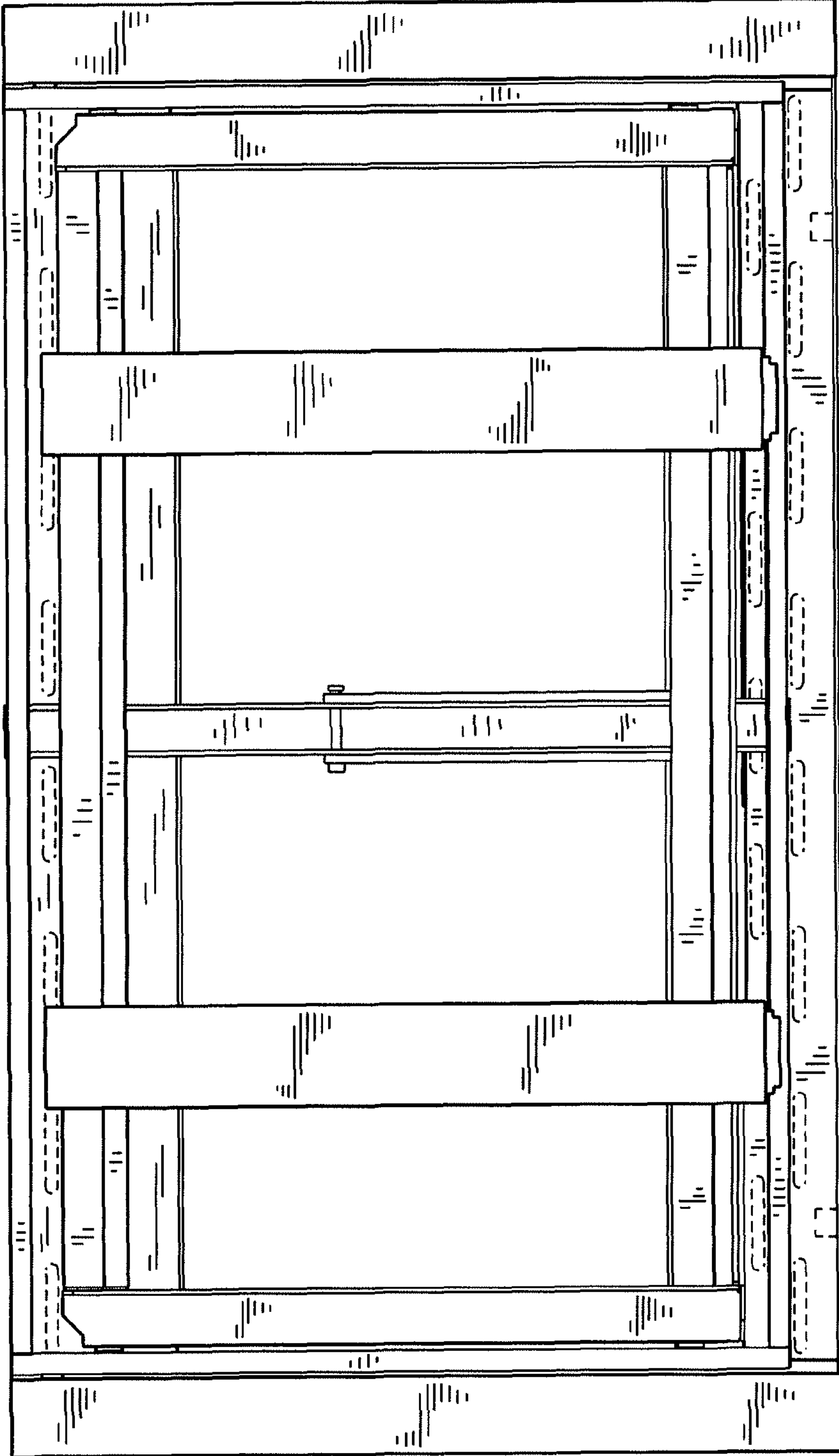


FIG. 4

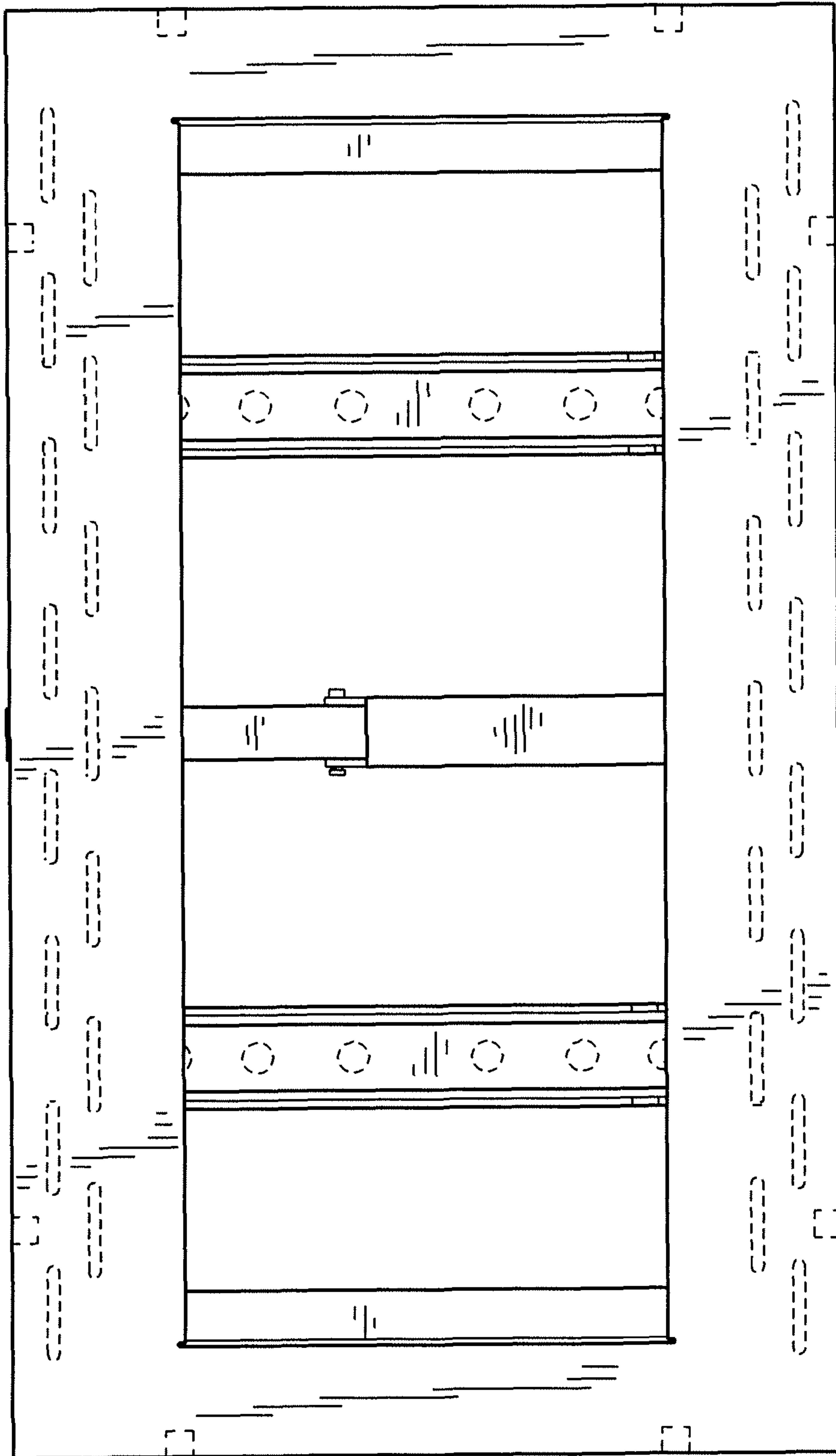


FIG. 5

FIG. 6

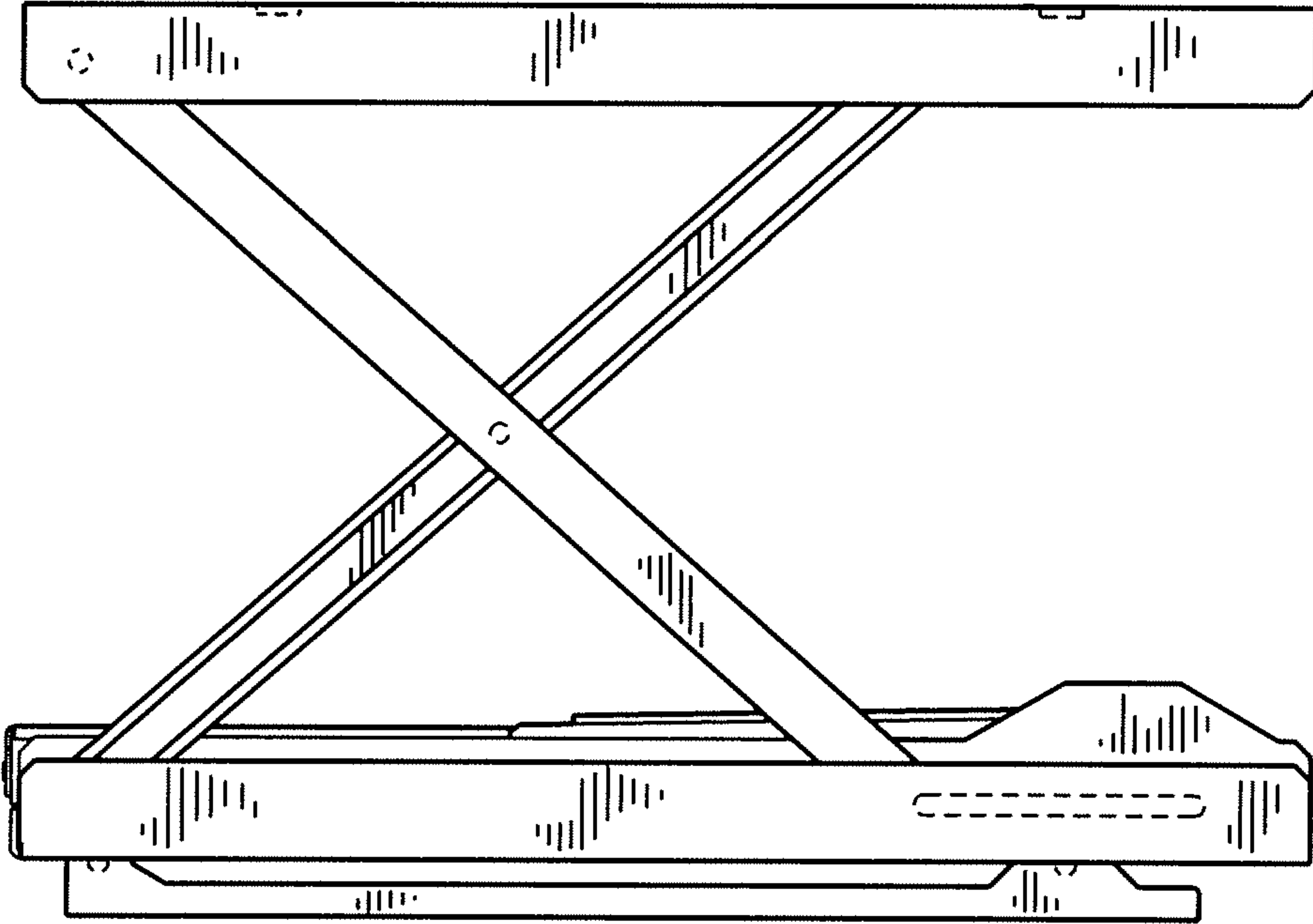
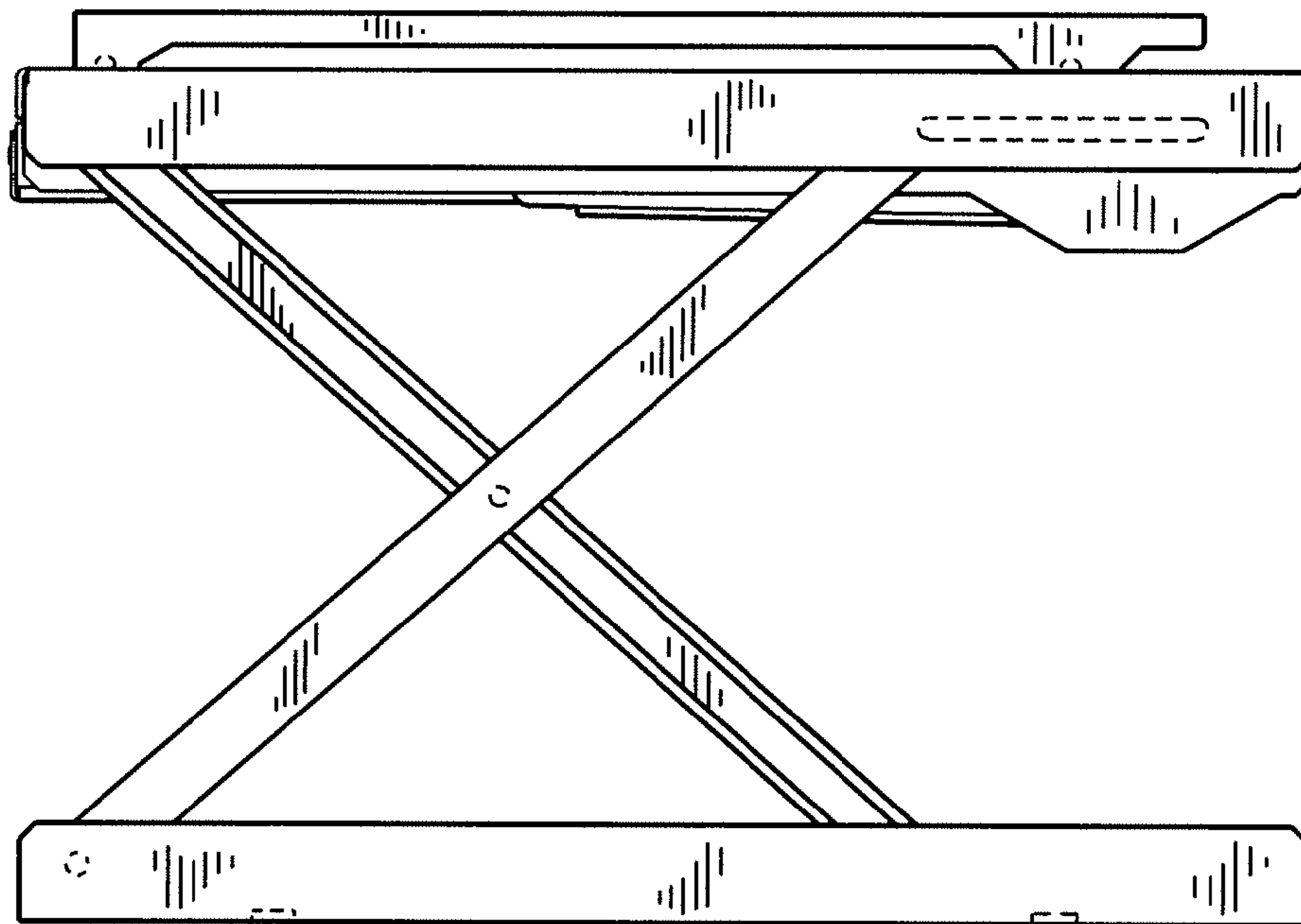


FIG. 7



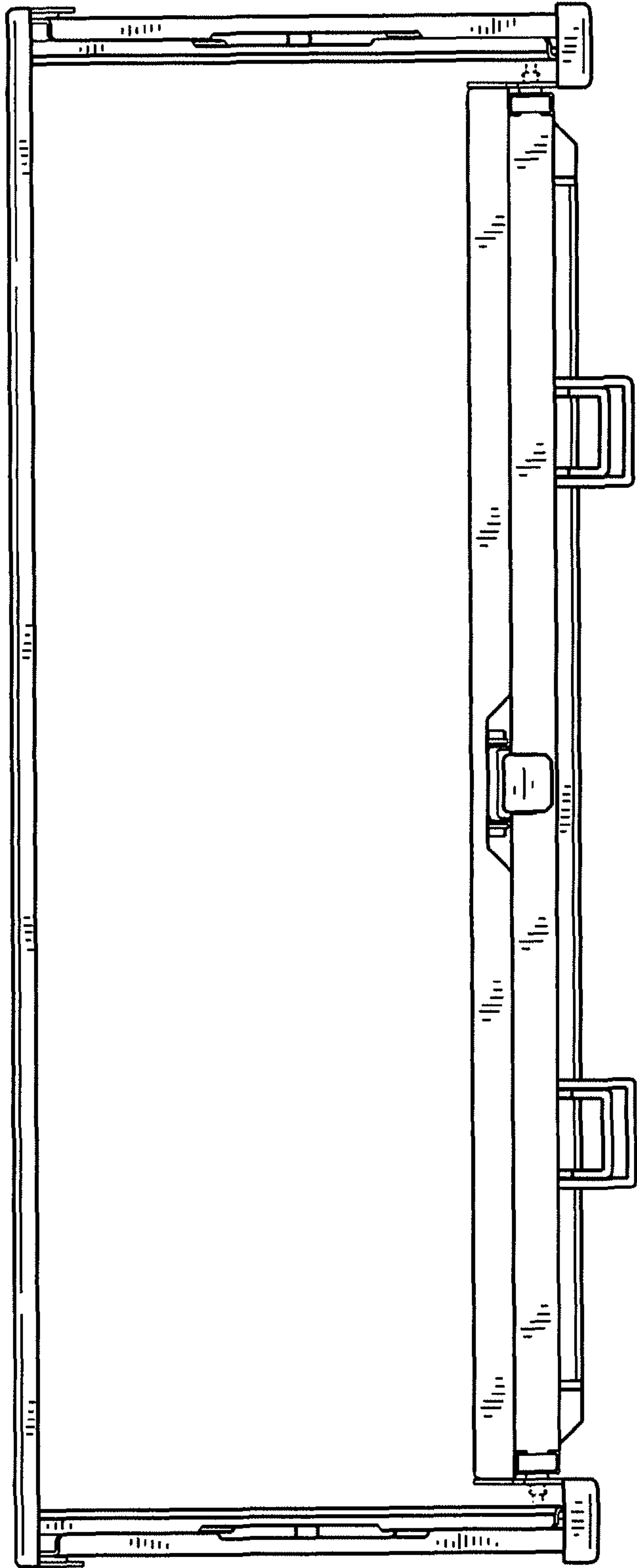


FIG. 8

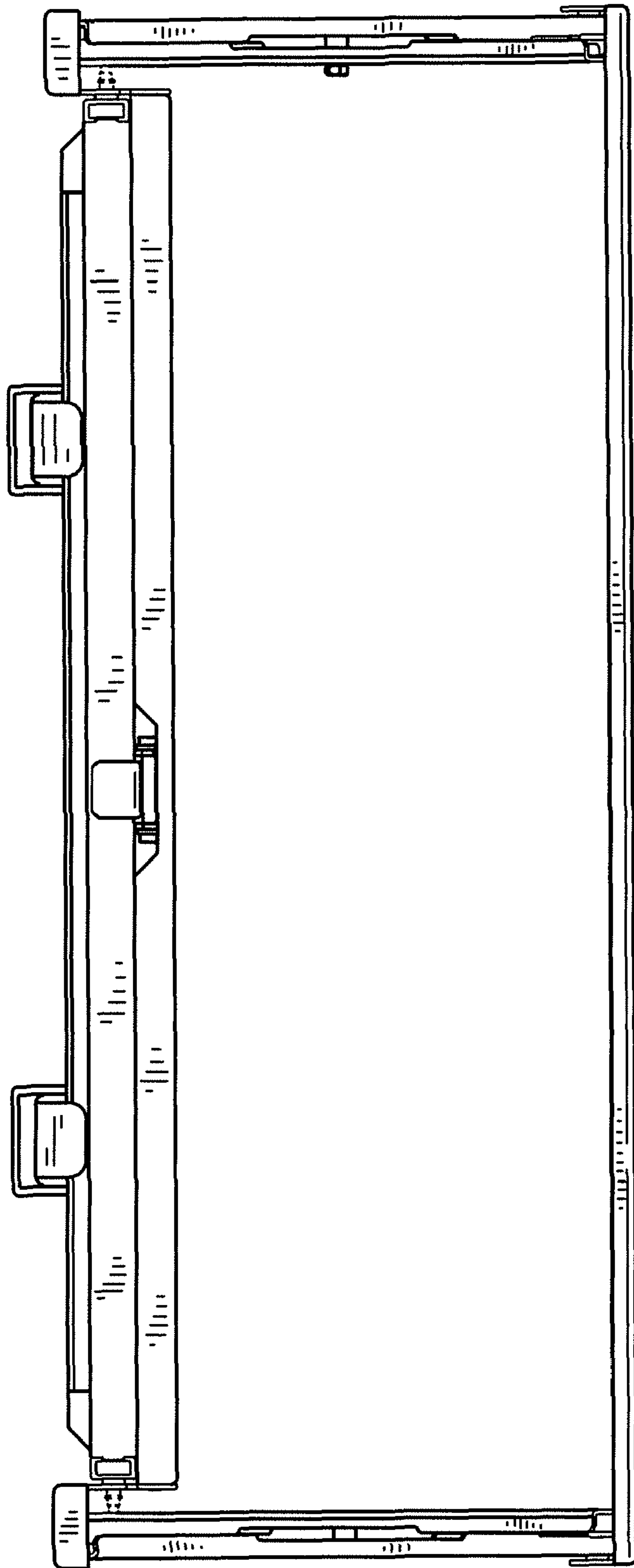


FIG. 9

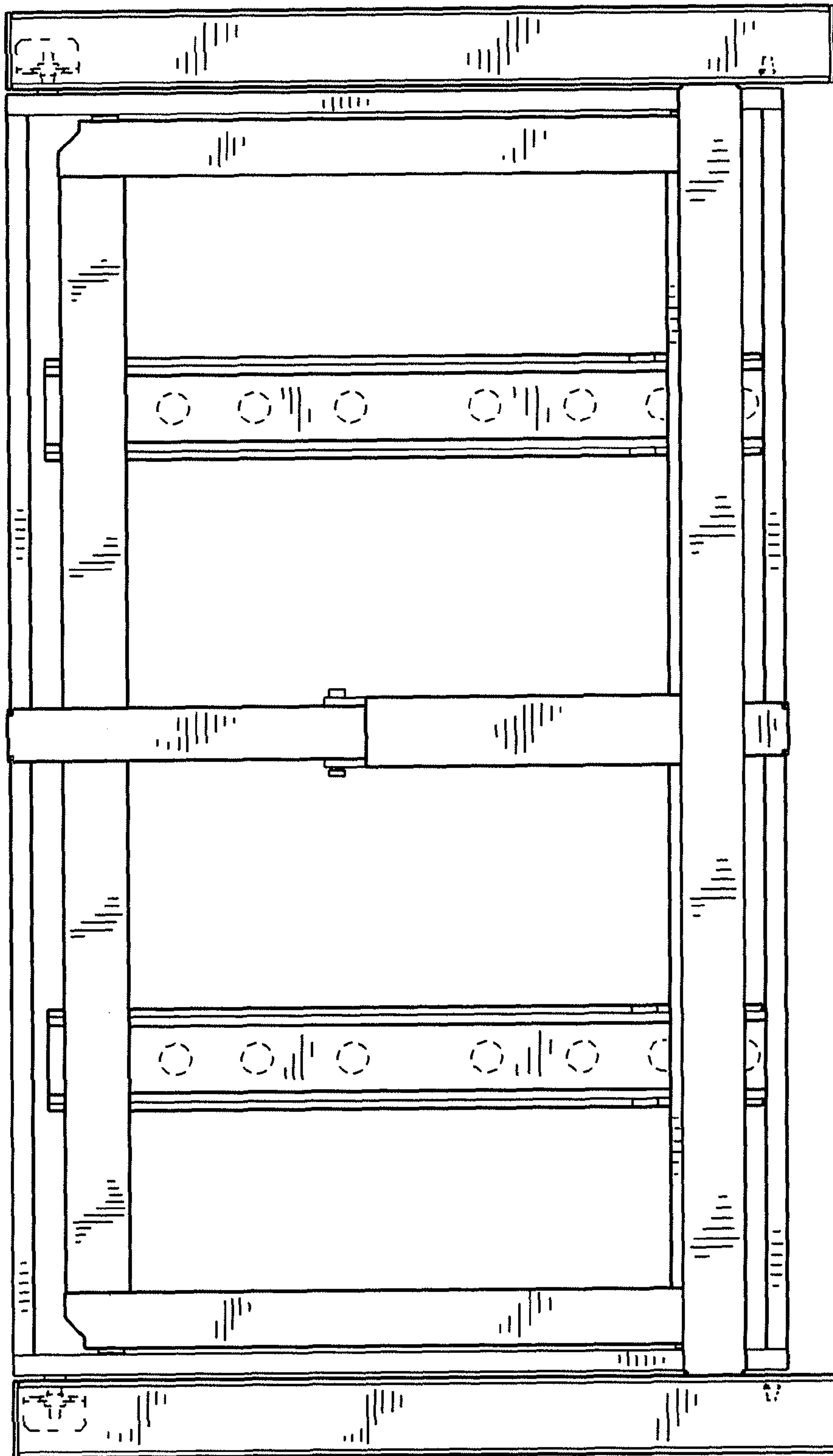


FIG. 10

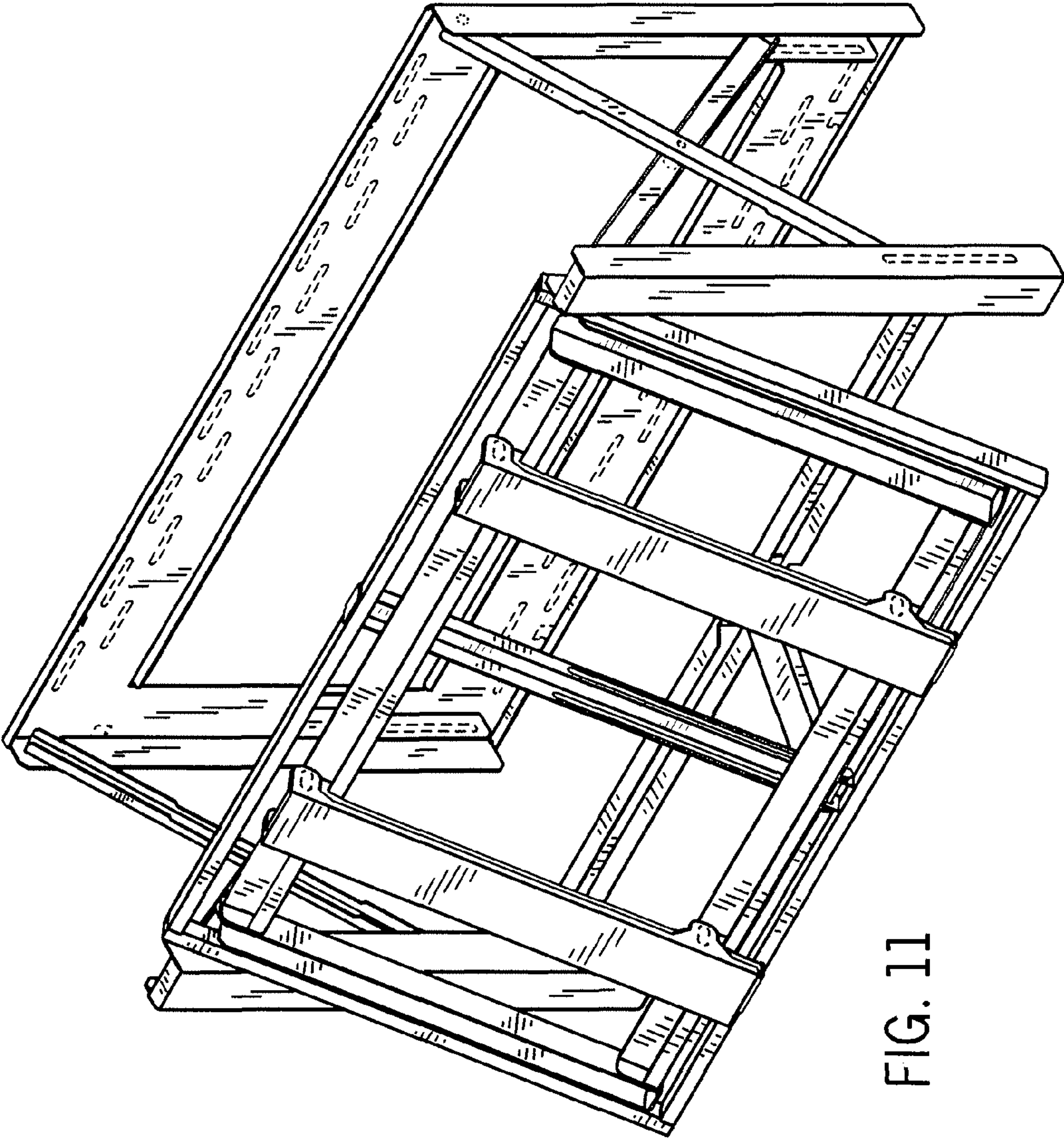


FIG. 11

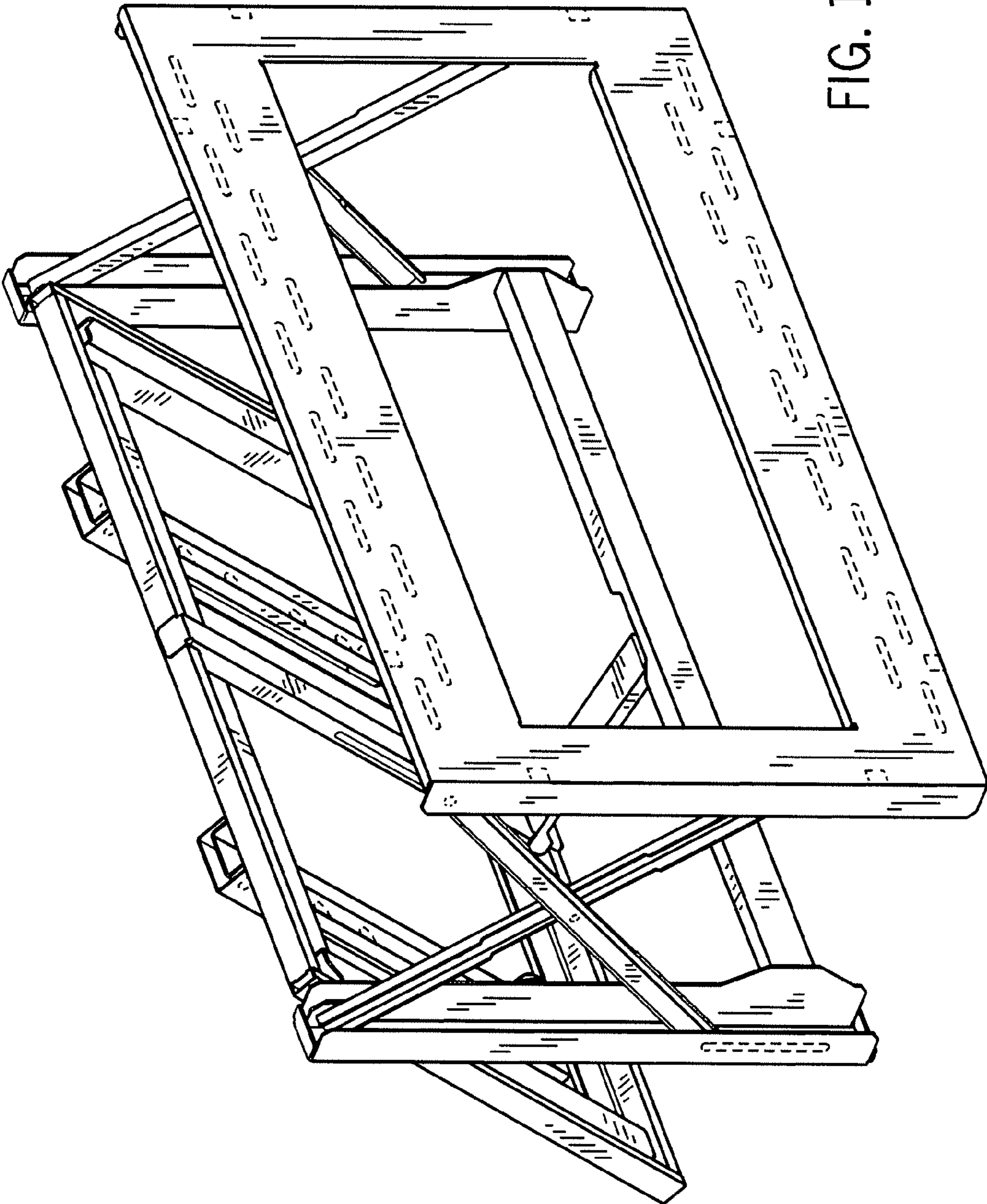


FIG. 12

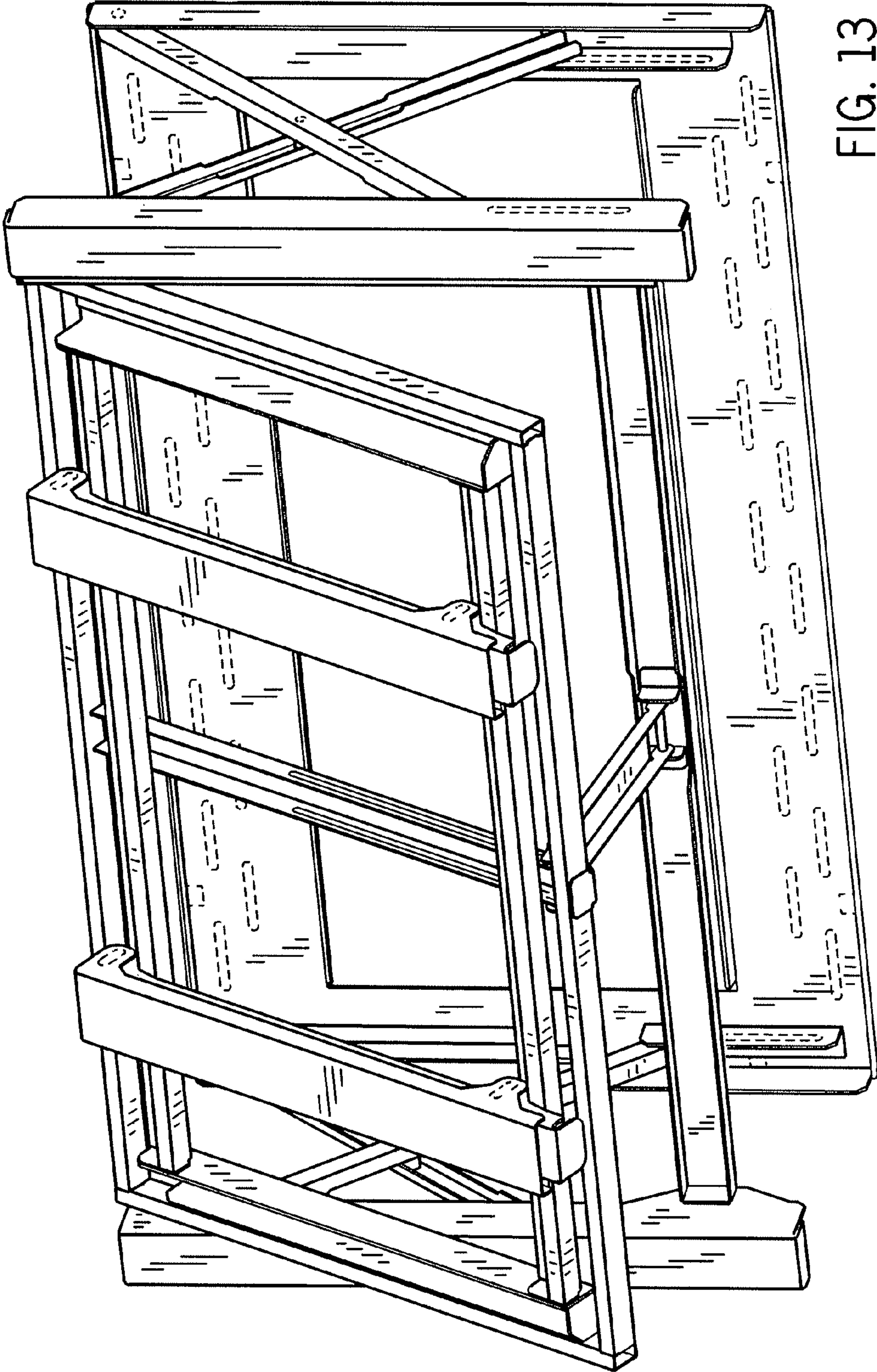


FIG. 13

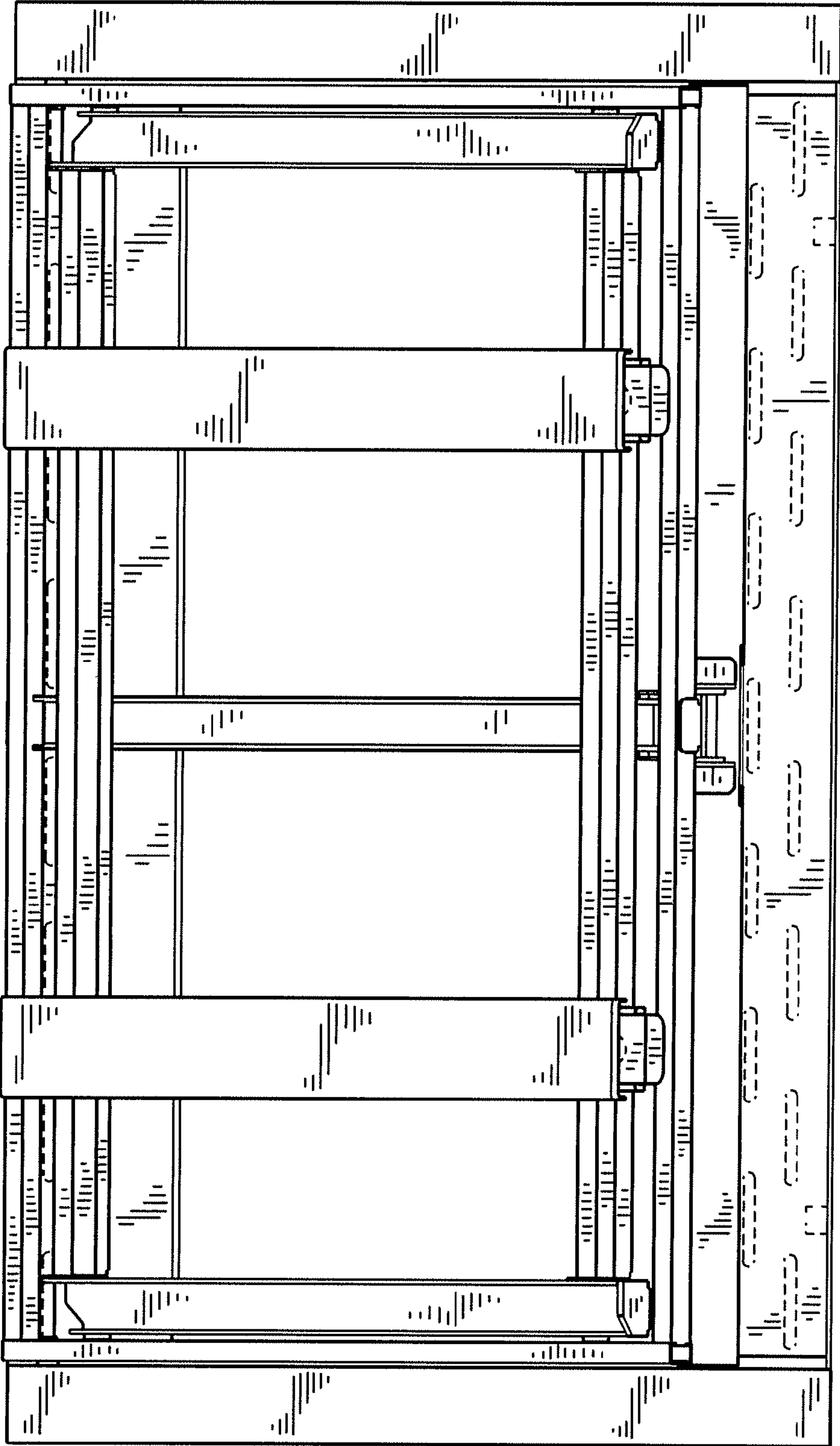


FIG. 14

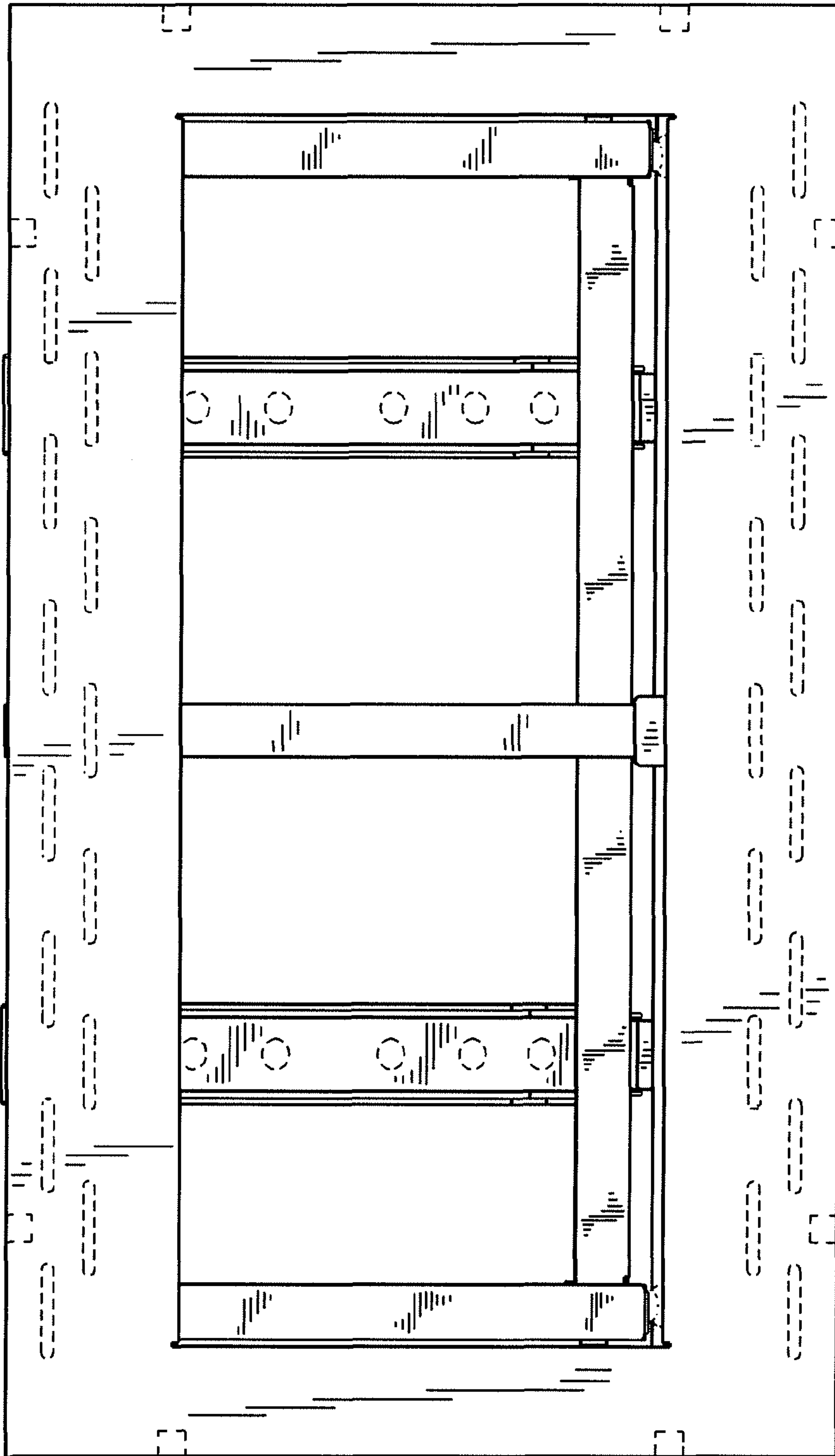


FIG. 15

FIG. 16

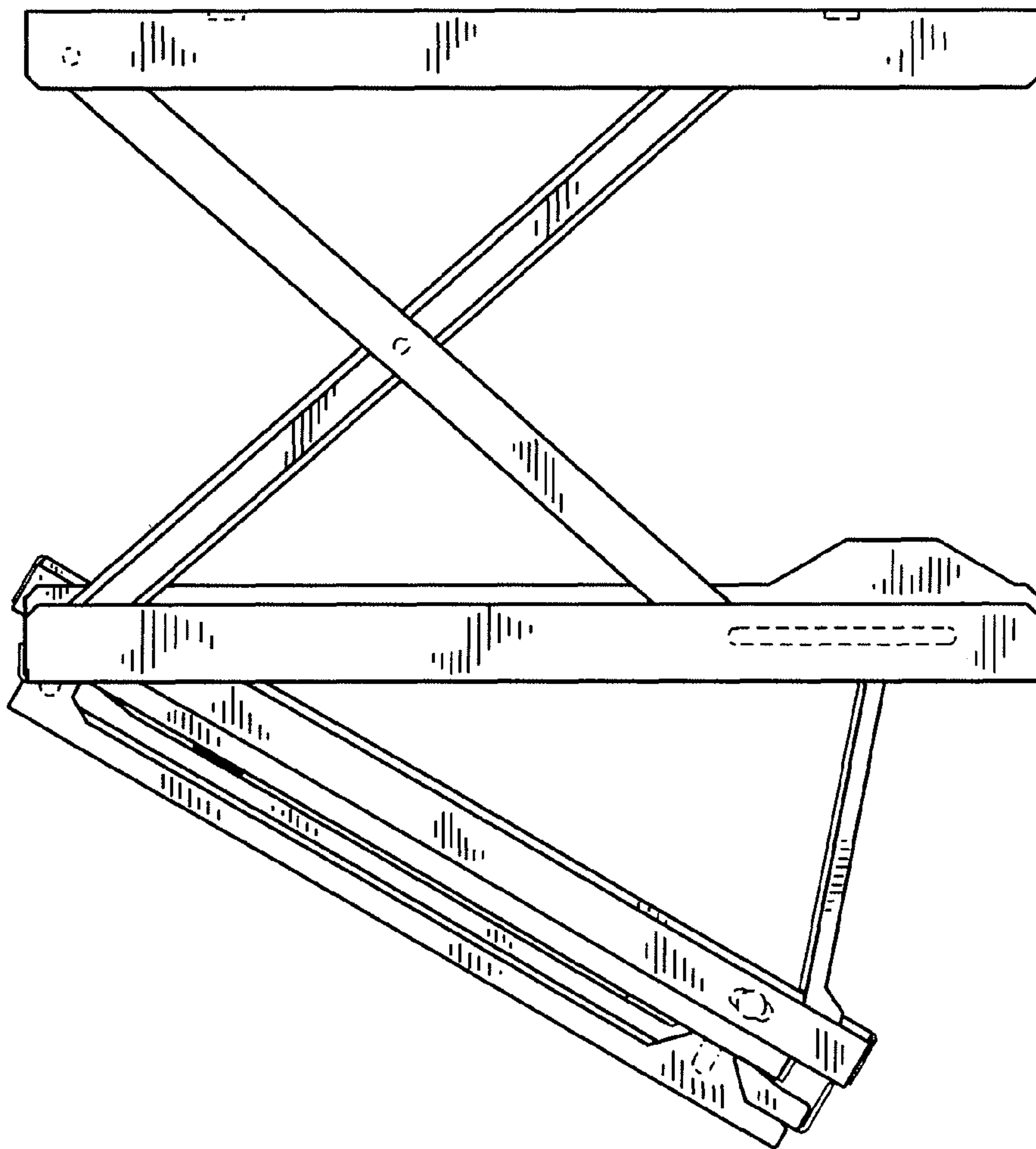
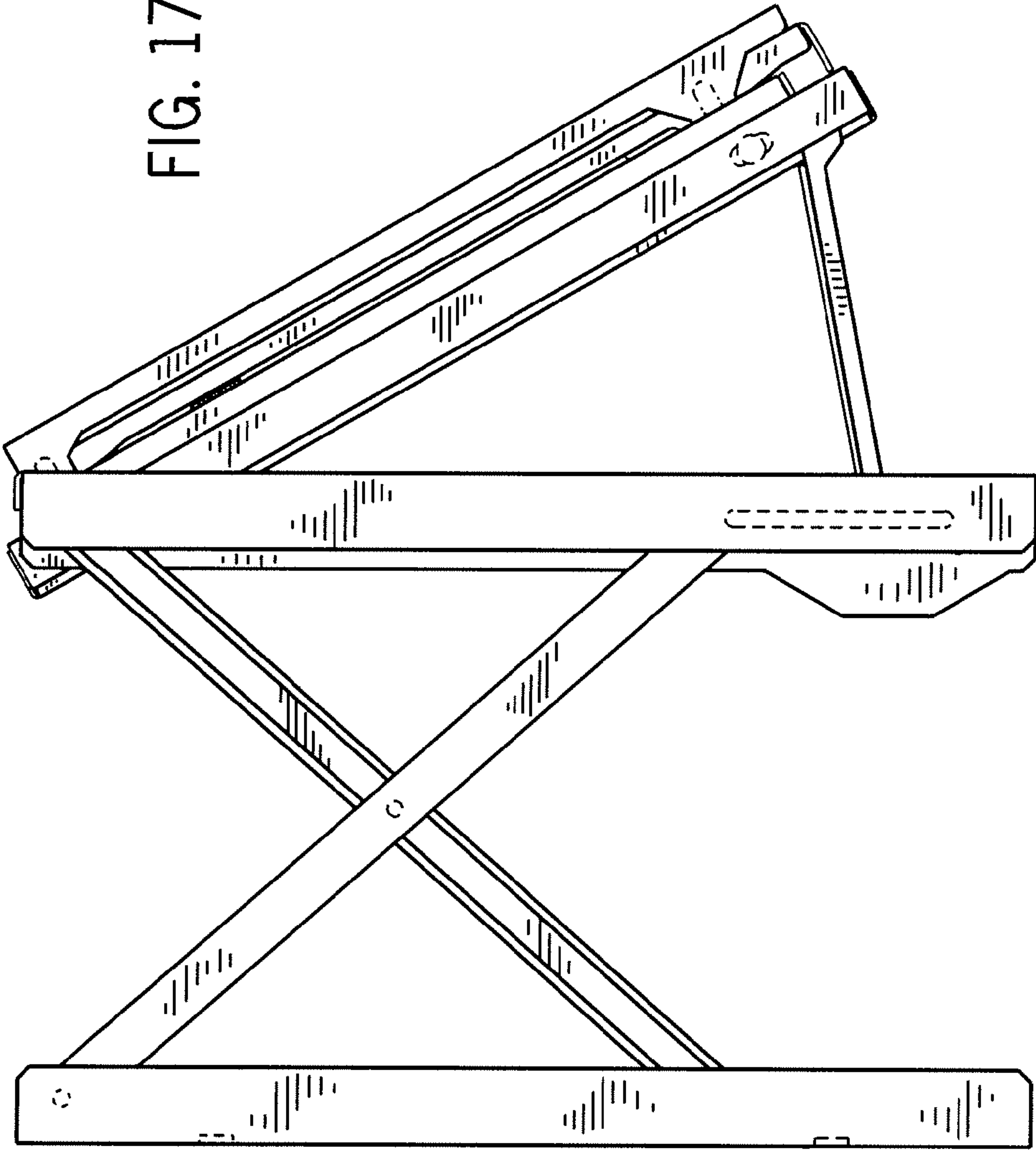


FIG. 17



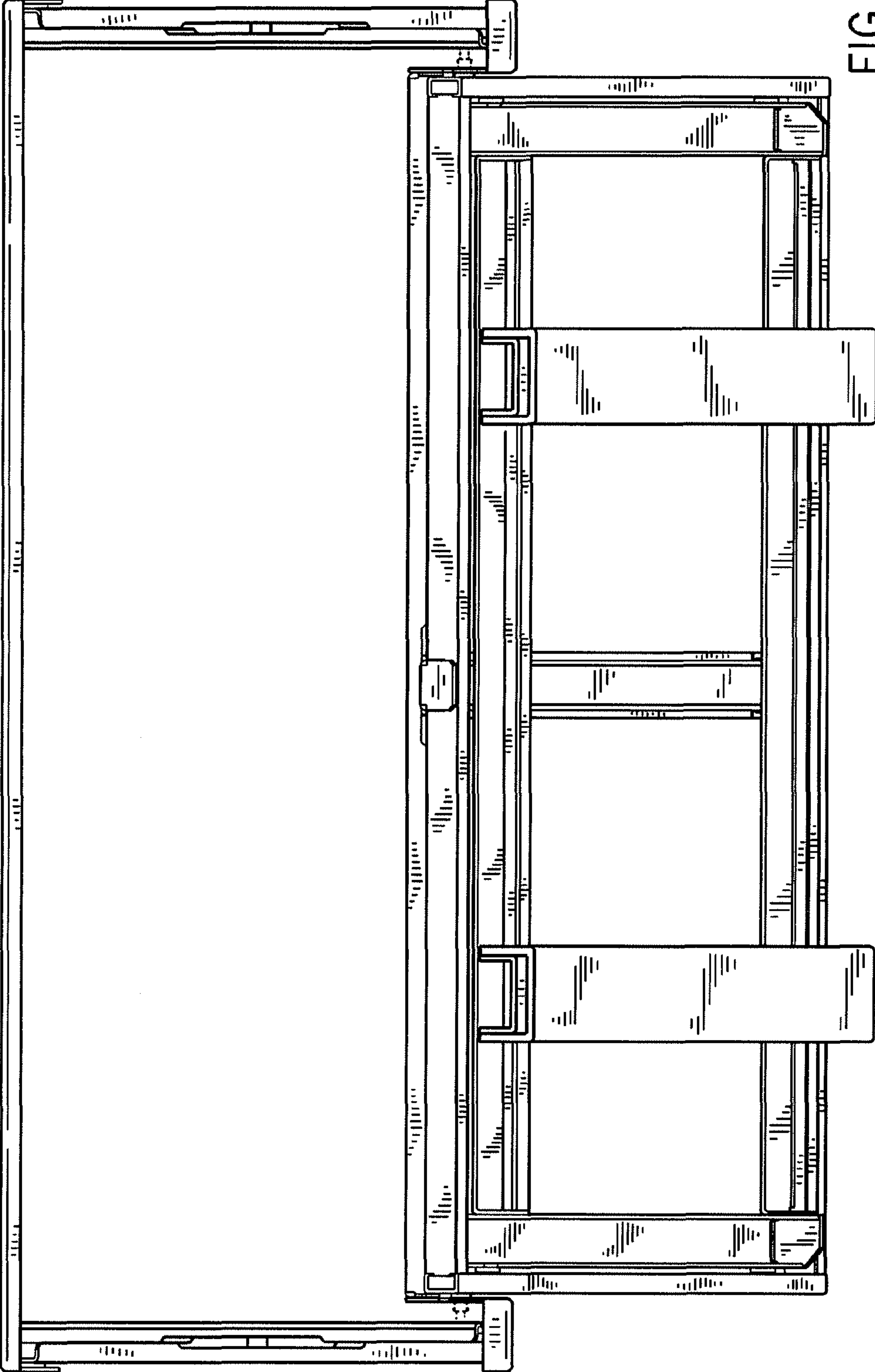


FIG. 18

FIG. 19



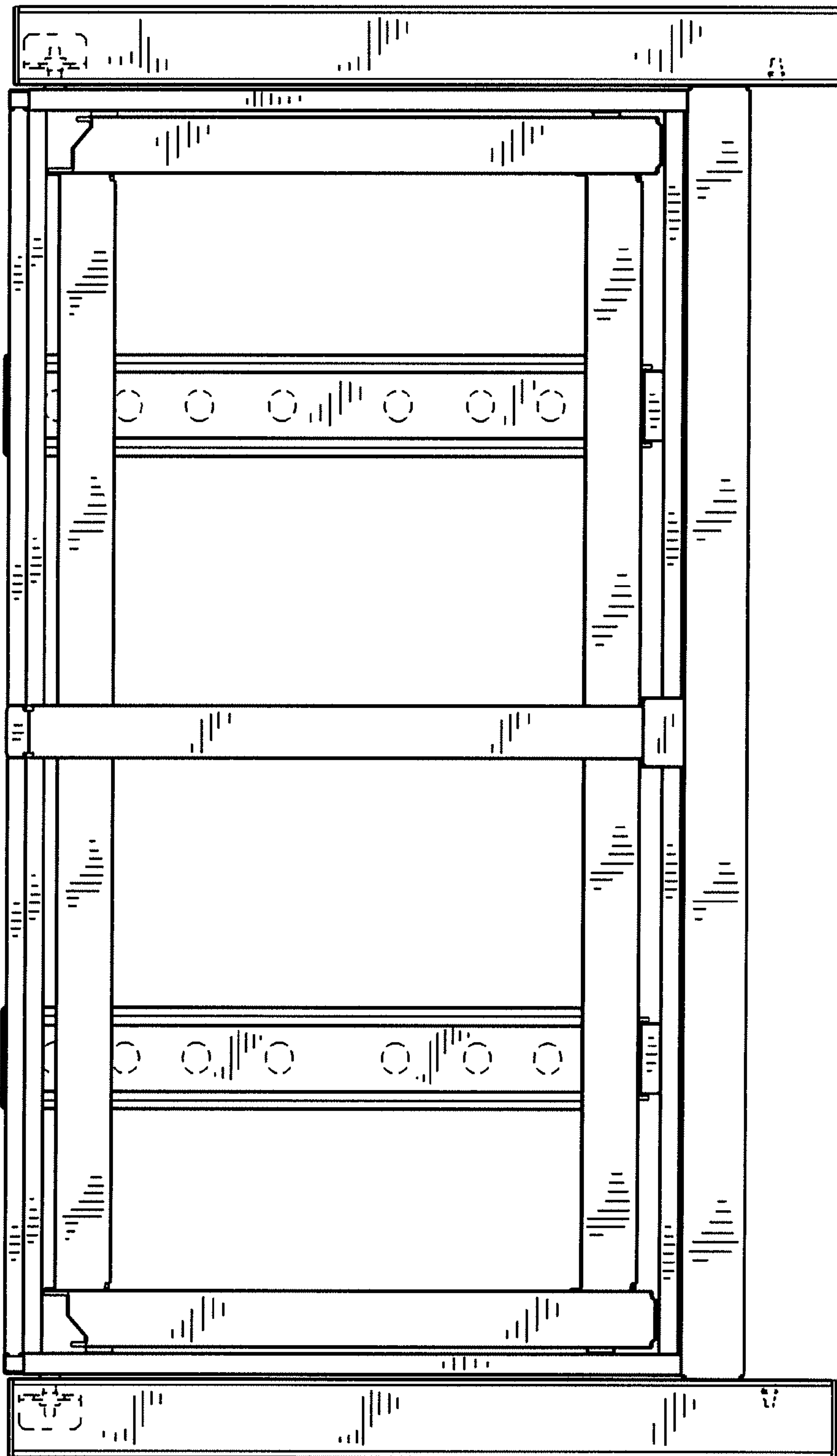


FIG. 20