



US00D625295S

(12) **United States Design Patent**
Nogueira et al.

(10) **Patent No.:** **US D625,295 S**
(45) **Date of Patent:** **** Oct. 12, 2010**

(54) **REMOTE CONTROL**

(75) Inventors: **Donpaul Nogueira**, Weymouth, MA
(US); **Rebecca Crimmin**, Acton, MA
(US)

(73) Assignee: **Bose Corporation**, Framingham, MA
(US)

(**) Term: **14 Years**

(21) Appl. No.: **29/361,080**

(22) Filed: **May 5, 2010**

(51) **LOC (9) Cl.** **14-03**

(52) **U.S. Cl.** **D14/218**

(58) **Field of Classification Search** D14/174,
D14/137–139, 151, 217, 218, 191–193, 167,
D14/299, 168, 247, 455, 456; D13/168,
D13/162–164; D21/512–517, 566; D10/104,
D10/106; 345/169; 348/114, 734; 455/352–355,
455/151.1–151.4, 128, 347, 90.3

See application file for complete search history.

(56) **References Cited**

U.S. PATENT DOCUMENTS

| | | | |
|--------------|---------|-----------------|---------|
| D314,964 S | 2/1991 | Chung | |
| D327,690 S * | 7/1992 | Ogawa et al. | D14/230 |
| D331,060 S * | 11/1992 | Emmons et al. | D14/218 |
| D382,307 S * | 8/1997 | Sharpe et al. | D21/405 |
| D427,993 S * | 7/2000 | Seal | D14/218 |
| D454,558 S * | 3/2002 | Song | D14/245 |
| D458,919 S | 6/2002 | Arjomand et al. | |
| D463,404 S * | 9/2002 | Sadatsuki | D14/218 |
| D463,787 S | 10/2002 | Beraut et al. | |
| D465,476 S | 11/2002 | Golding et al. | |
| D492,078 S | 6/2004 | Syzdek | |

| | | | |
|--------------|---------|------------------|---------|
| D493,447 S * | 7/2004 | Noro et al. | D14/230 |
| D496,004 S * | 9/2004 | Borsboom | D13/168 |
| D518,819 S * | 4/2006 | Gray | D14/230 |
| D526,973 S * | 8/2006 | Gates et al. | D13/184 |
| D533,513 S * | 12/2006 | Marchetto et al. | D13/168 |
| D542,280 S | 5/2007 | Taylor | |
| D572,239 S * | 7/2008 | Hoehn et al. | D14/218 |
| D583,775 S * | 12/2008 | Knoch | D13/168 |
| D589,463 S * | 3/2009 | Sykes | D13/169 |
| D595,670 S * | 7/2009 | Glassman et al. | D13/168 |
| D601,564 S * | 10/2009 | Maeno | D14/400 |
| D602,915 S * | 10/2009 | Song et al. | D14/218 |
| D606,979 S * | 12/2009 | Henry | D14/218 |

* cited by examiner

Primary Examiner—Celia A Murphy
Assistant Examiner—John Windmuller

(57) **CLAIM**

The ornamental design for a remote control, substantially as shown and described.

DESCRIPTION

FIG. 1 is a perspective view of a remote control as seen from the front, top and right side;

FIG. 2 is a front view thereof;

FIG. 3 is a rear view thereof;

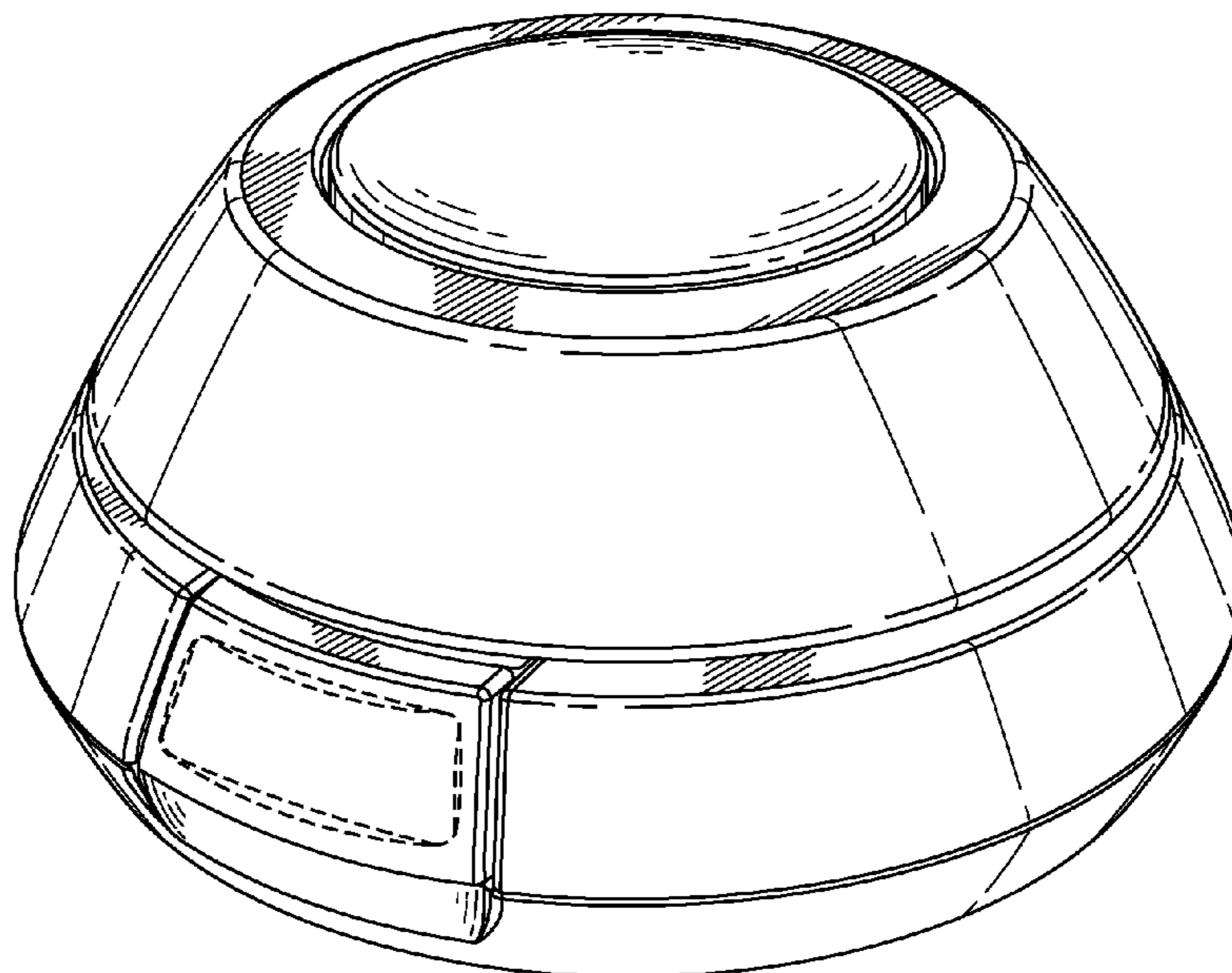
FIG. 4 is a right side view thereof; the left side view being a mirror image of the right side view;

FIG. 5 is a top view thereof; and,

FIG. 6 is a bottom view thereof.

The broken lines in the figures delineate portions of the remote control that form no part of the claimed design.

1 Claim, 5 Drawing Sheets



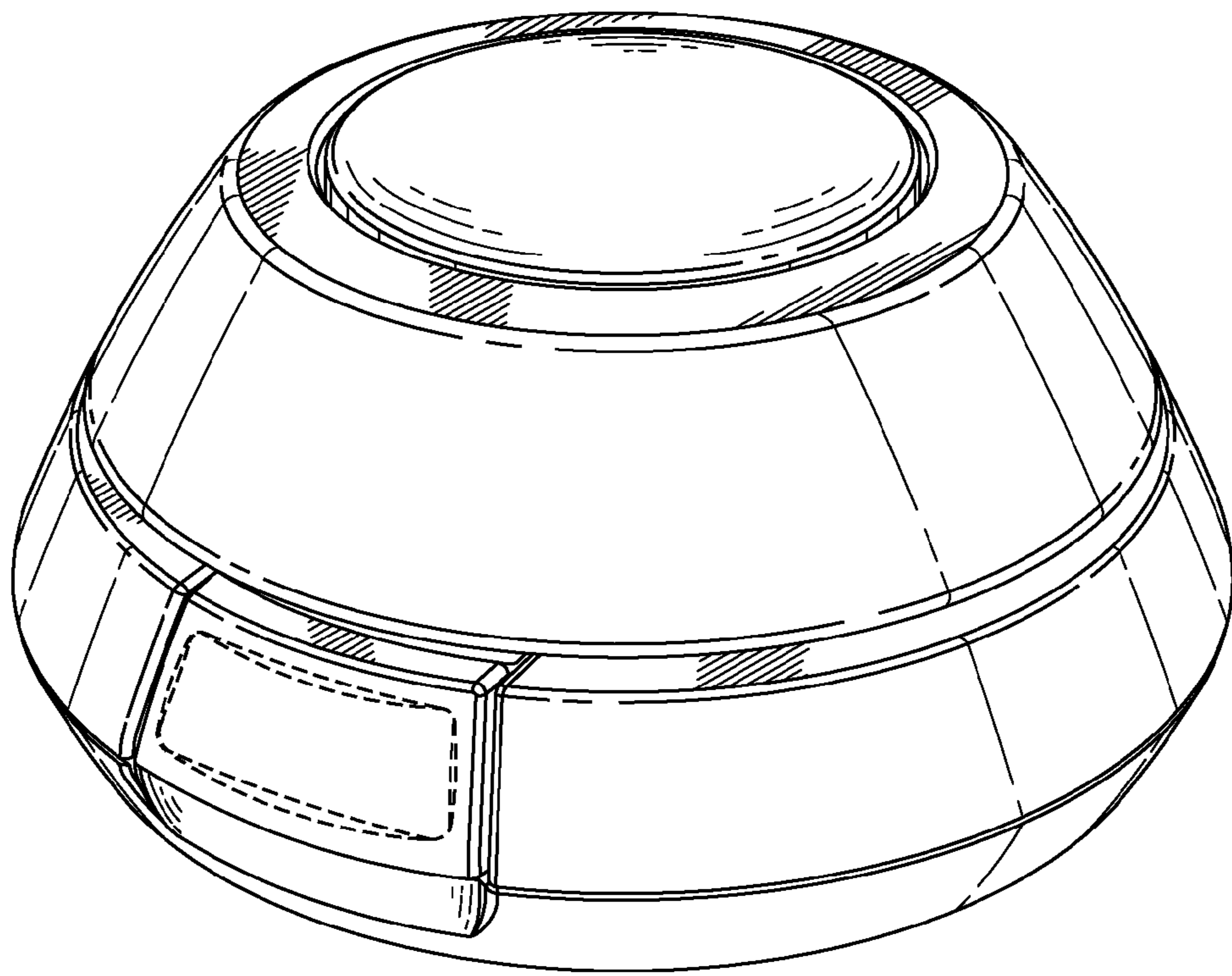


FIG. 1

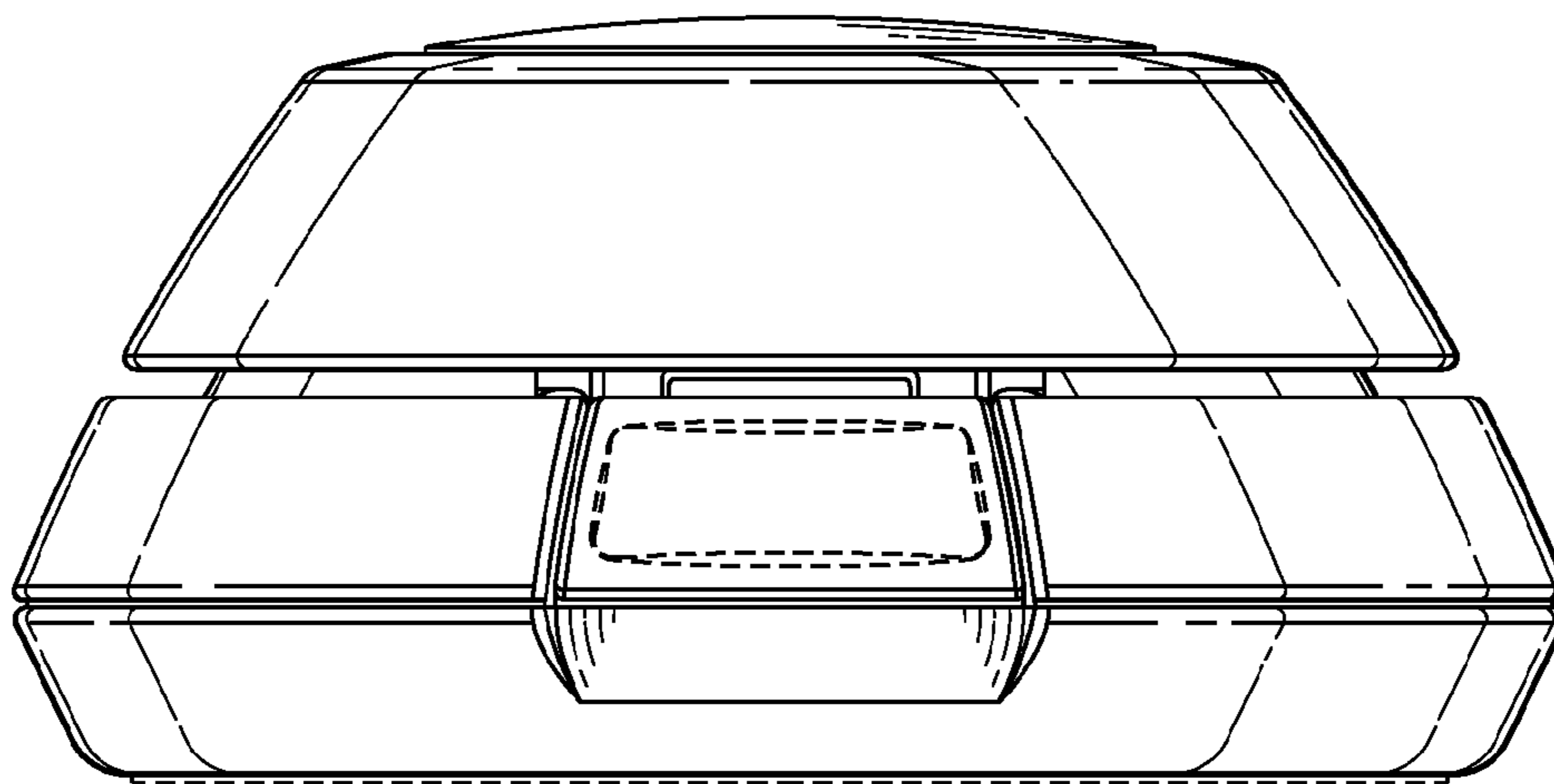


FIG. 2

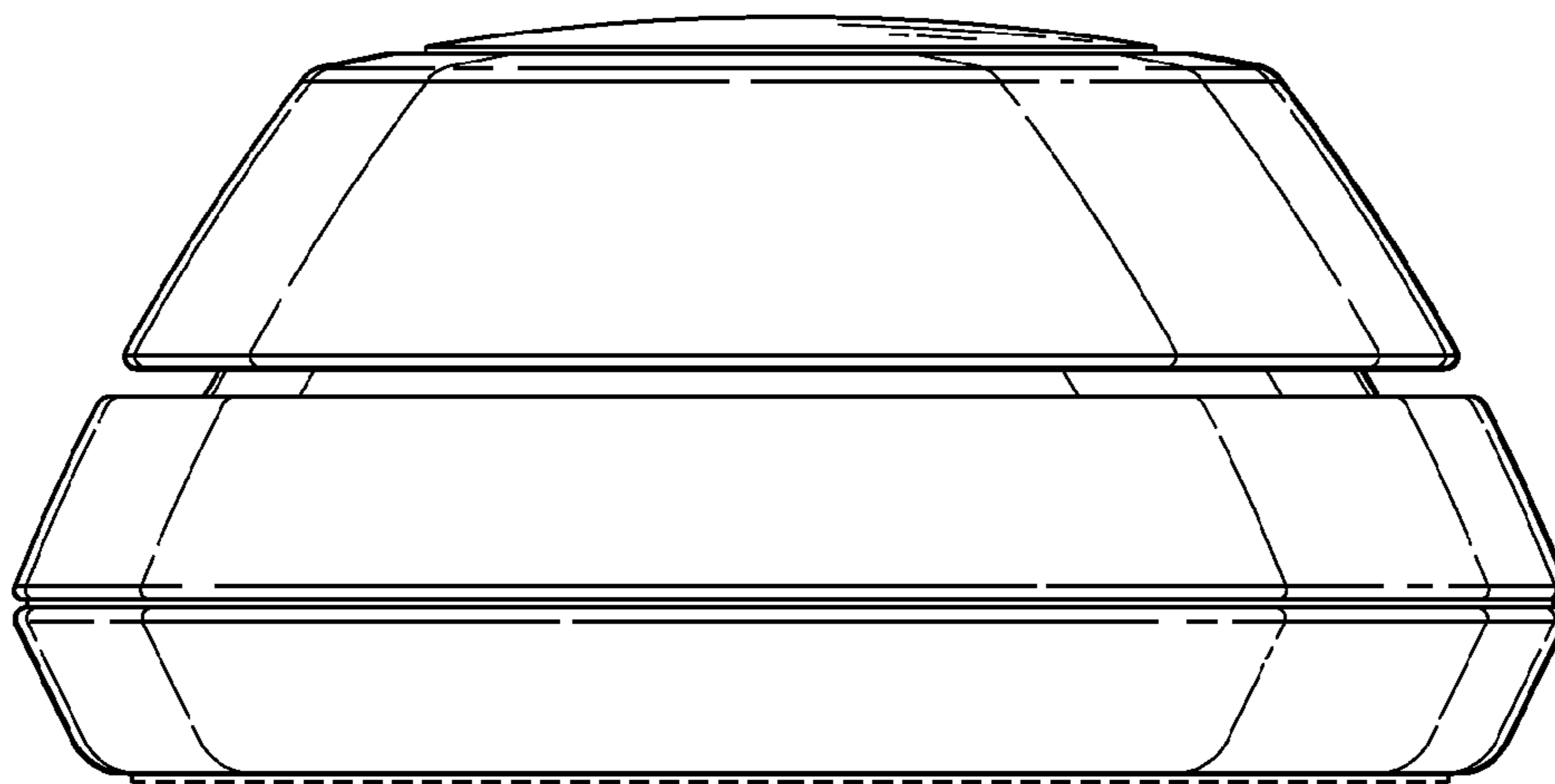


FIG. 3

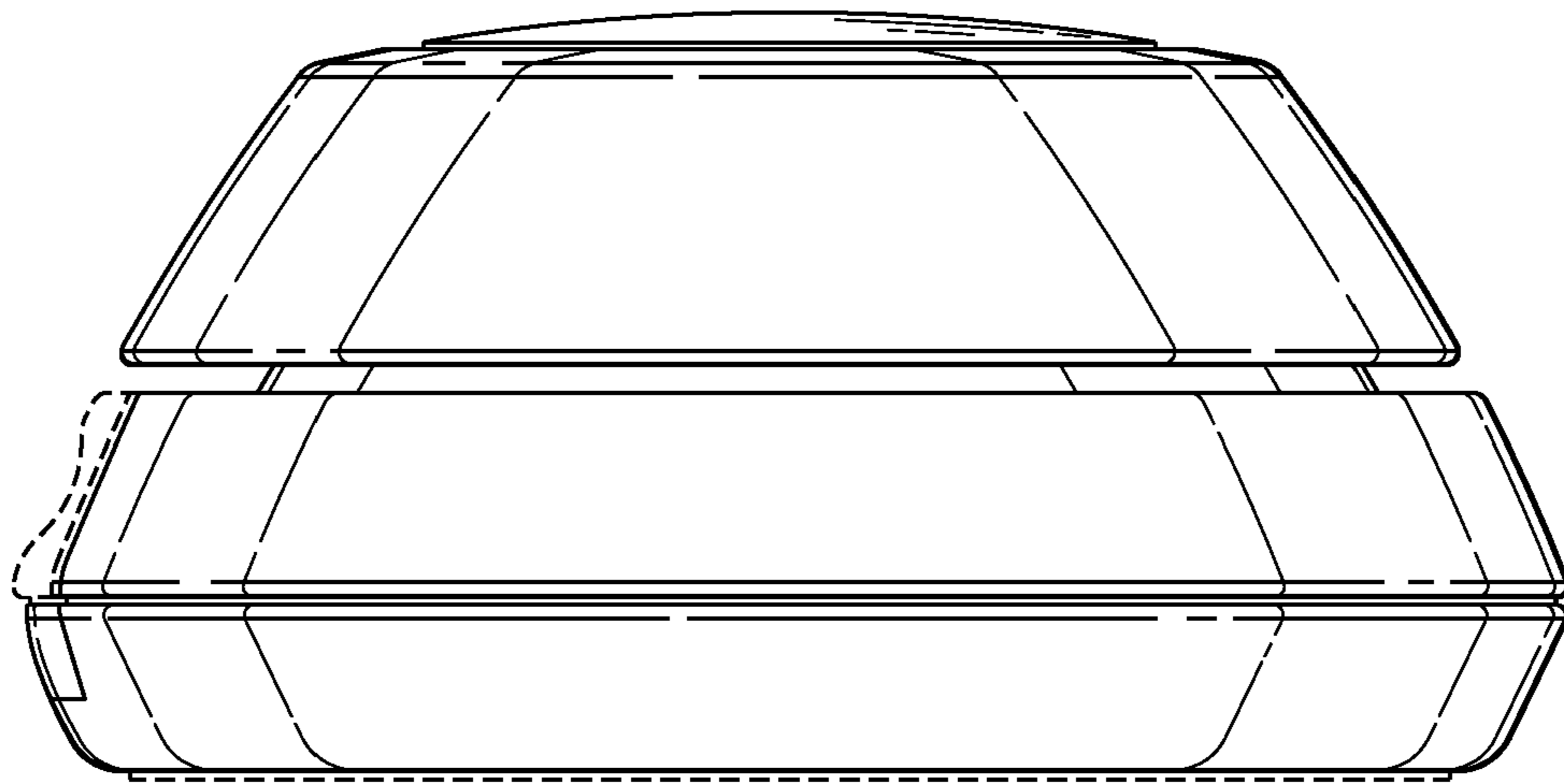


FIG. 4

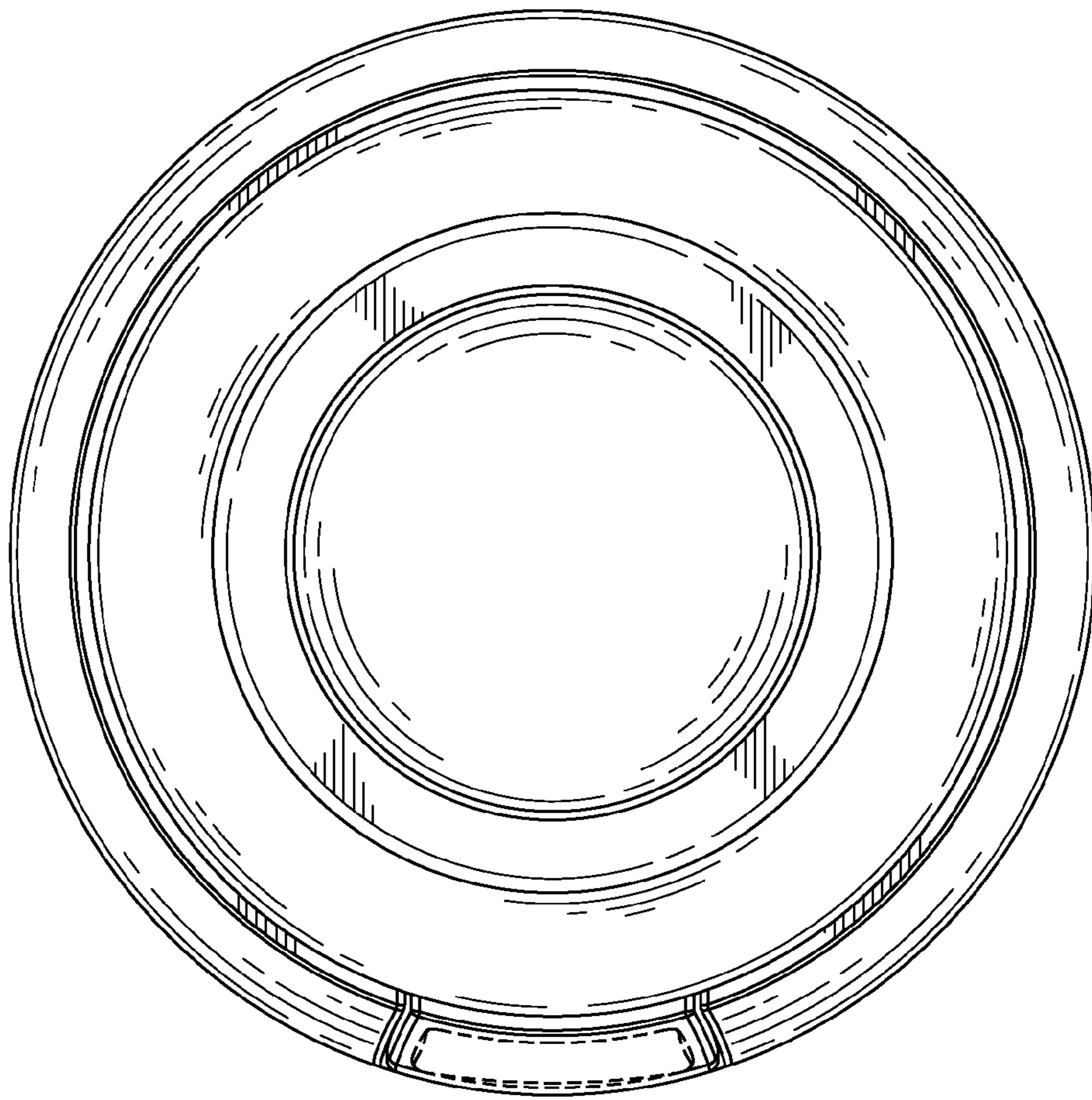


FIG. 5

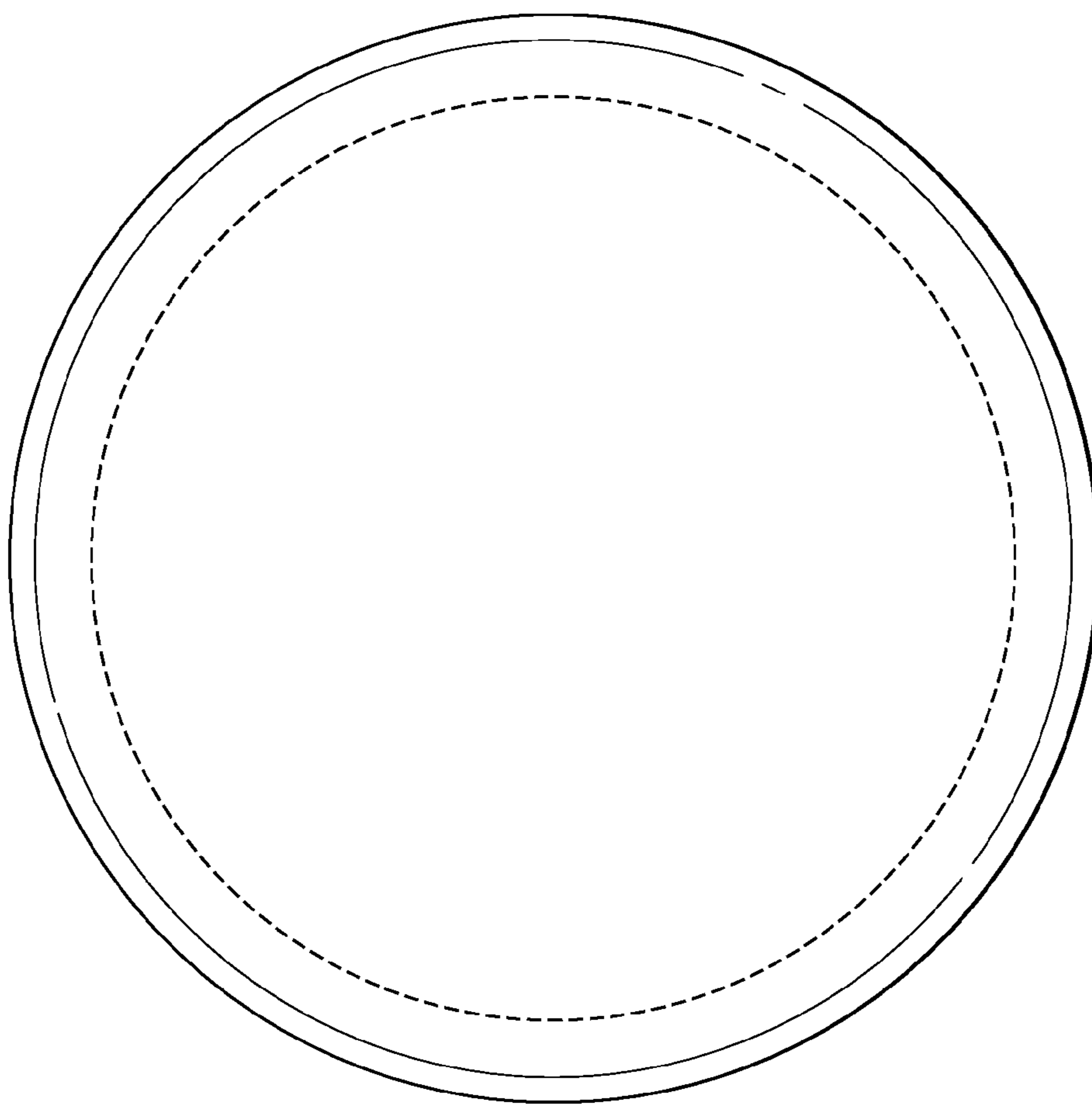


FIG. 6