



US00D625288S

(12) **United States Design Patent**
Ueda

(10) **Patent No.:** **US D625,288 S**
(45) **Date of Patent:** **** Oct. 12, 2010**

(54) **SPEAKER BOX**

(75) Inventor: **Arinobu Ueda**, Tokyo (JP)

(73) Assignee: **Sony Corporation**, Tokyo (JP)

(**) Term: **14 Years**

(21) Appl. No.: **29/347,358**

(22) Filed: **Dec. 14, 2009**

(51) **LOC (9) Cl.** **14-01**

(52) **U.S. Cl.** **D14/209.1; D14/168**

(58) **Field of Classification Search** D14/204,
D14/209.1, 210–216, 168, 172; 181/143–144,
181/147–148, 150–153, 157, 198–199; 381/300–303,
381/306, 332–333, 336, 345, 361–364, 386–388
See application file for complete search history.

(56) **References Cited**

U.S. PATENT DOCUMENTS

D324,389 S	*	3/1992	Kamata	D14/215
D410,649 S		6/1999	Kobayashi		
D475,361 S		6/2003	Yoneda et al.		
D483,349 S		12/2003	Murakami		
D491,167 S		6/2004	Yokoyama		
D505,409 S		5/2005	Hirano		
D509,821 S		9/2005	Hirano		
D512,978 S		12/2005	Ueda et al.		
D526,992 S		8/2006	Sakai		
D531,989 S	*	11/2006	Dayan	D14/215
D542,776 S	*	5/2007	Dayan	D14/215
D557,262 S		12/2007	Sakai		
D585,423 S		1/2009	Yoneda		
D586,785 S		2/2009	Kim		

D587,245 S	2/2009	Morra
D590,373 S	4/2009	Brickstad
D593,541 S	6/2009	Muraoka et al.
D601,545 S	10/2009	Joseph

FOREIGN PATENT DOCUMENTS

JP	D1176309 S	6/2003
JP	D1223308 S	11/2004
JP	D1257385 S	12/2005
JP	D1302330 S	6/2007

* cited by examiner

Primary Examiner—Nanda Bondade

(74) *Attorney, Agent, or Firm*—Rader, Fishman & Grauer PLLC

(57) **CLAIM**

The ornamental design for a speaker box, as shown and described.

DESCRIPTION

FIG. 1 is a perspective view of a speaker box showing my new design;

FIG. 2 is a front elevational view thereof;

FIG. 3 is a rear elevational view thereof;

FIG. 4 is a left side elevational view thereof;

FIG. 5 is a right side elevational view thereof;

FIG. 6 is a top plan view thereof; and,

FIG. 7 is a bottom plan view thereof.

Portions in broken lines are for illustrative purpose only and form no part of the claimed design.

1 Claim, 6 Drawing Sheets

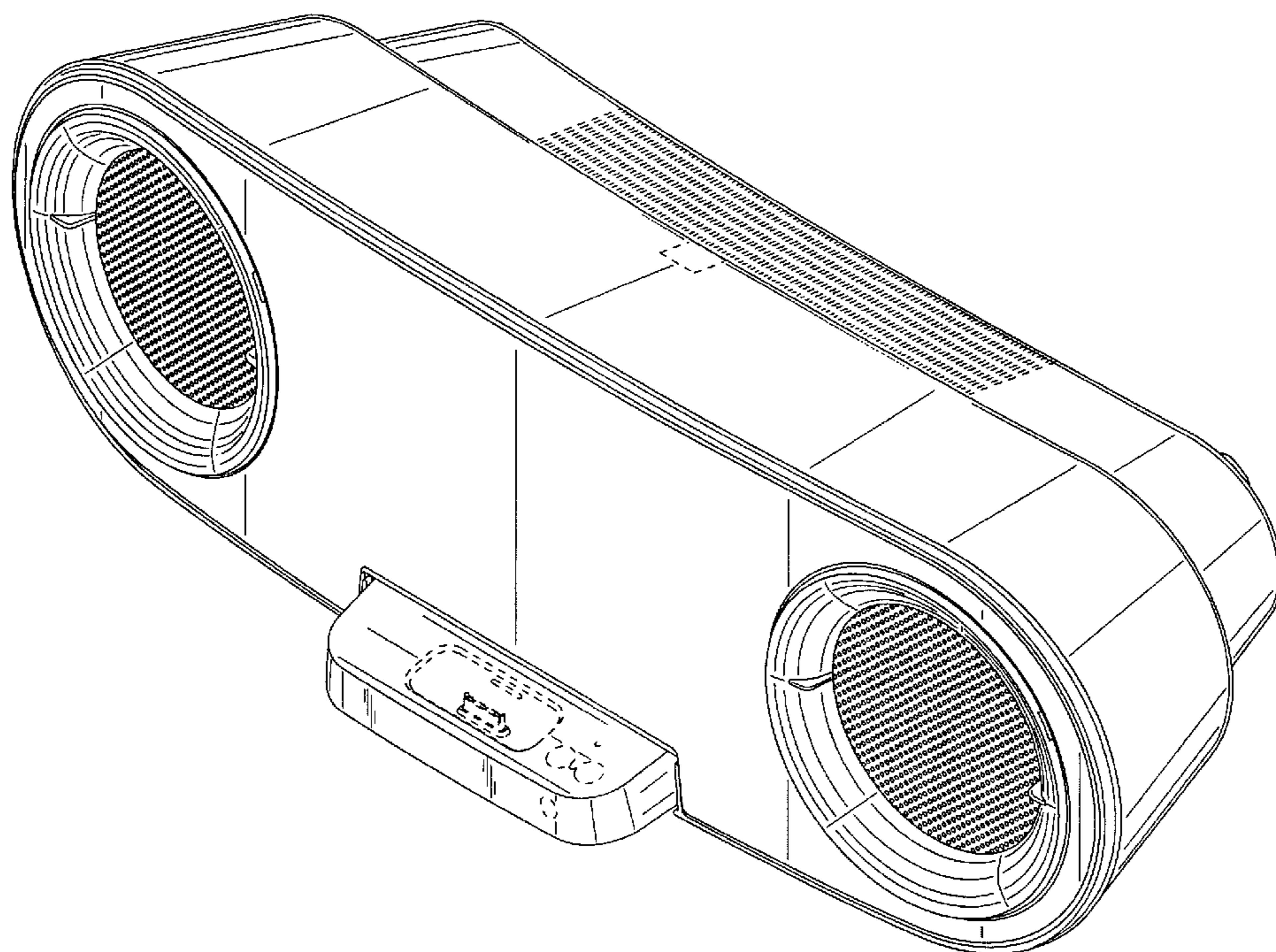


FIG.1

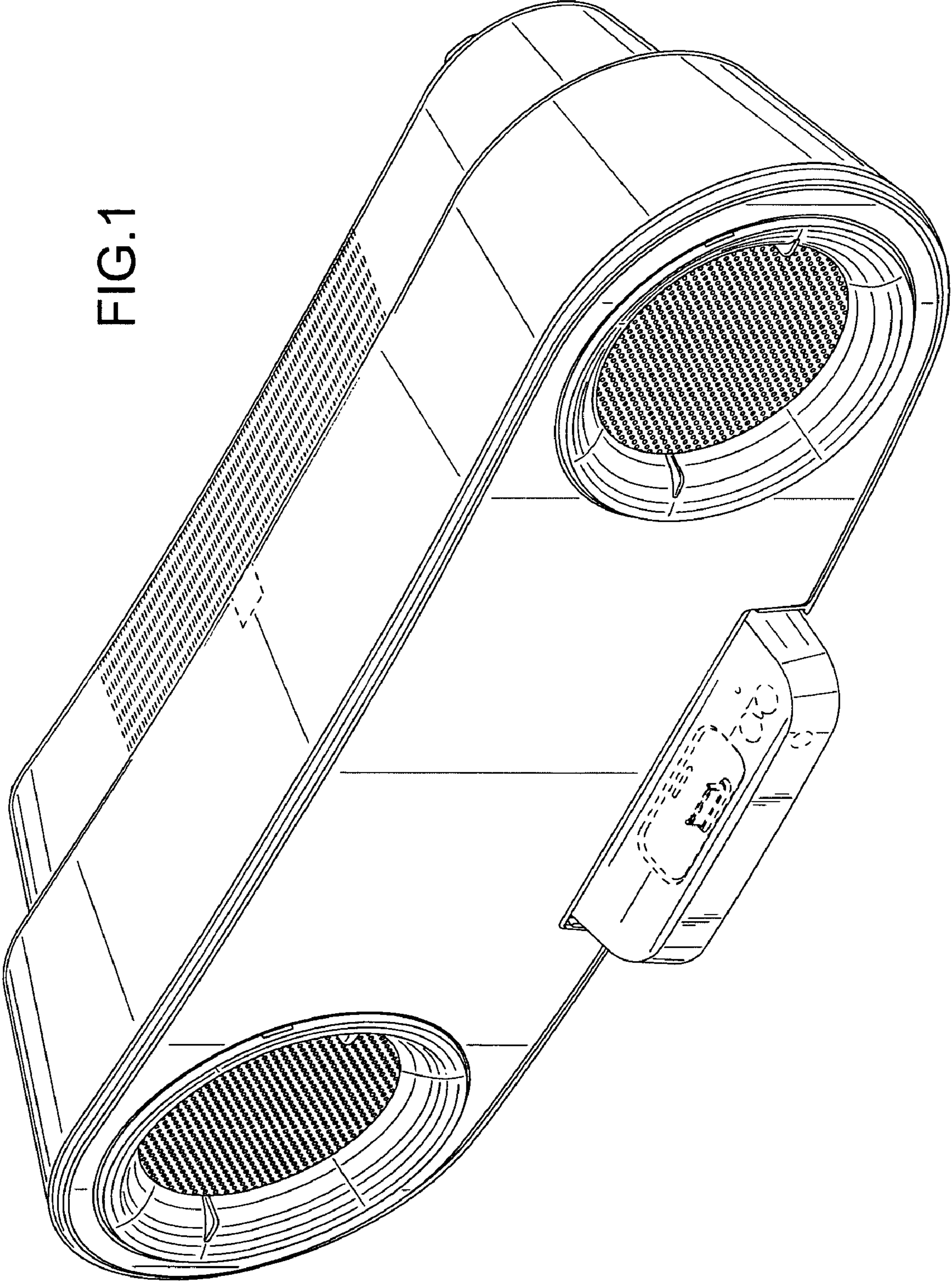


FIG.2

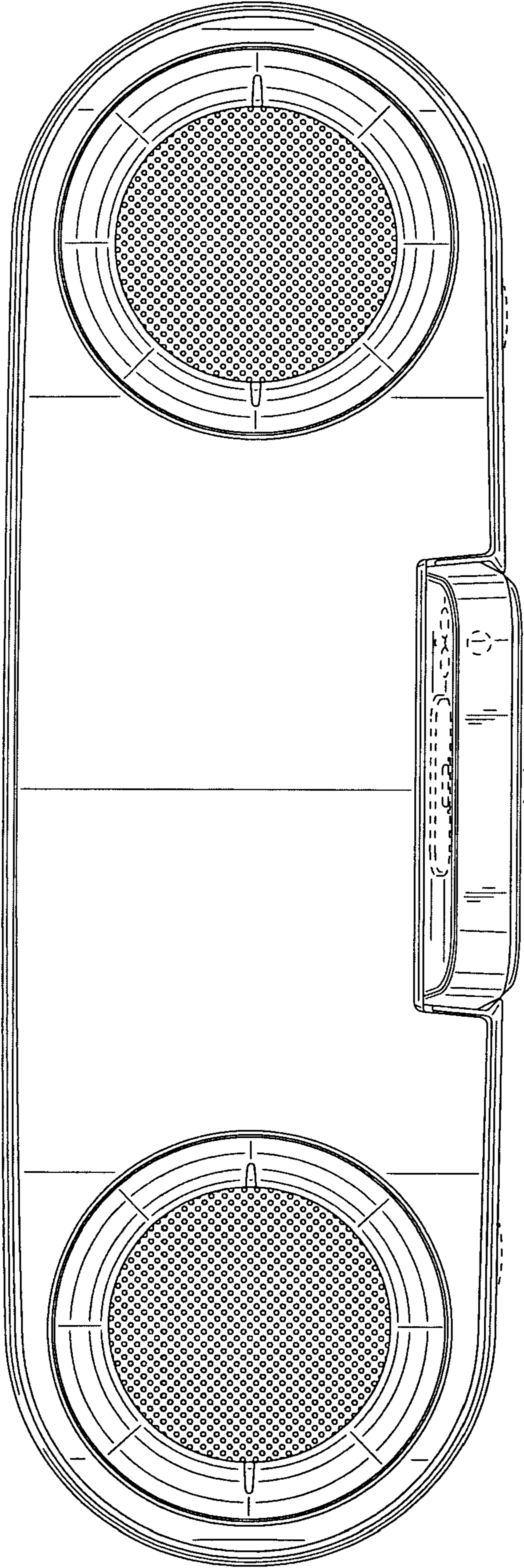


FIG.3

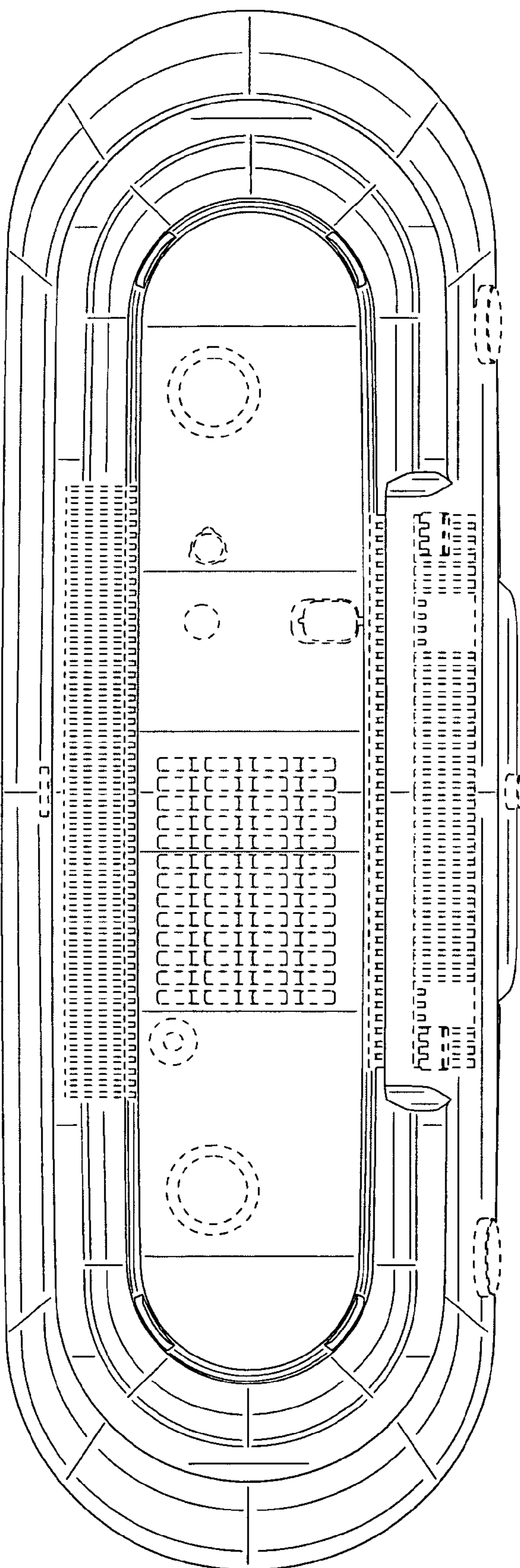


FIG.4

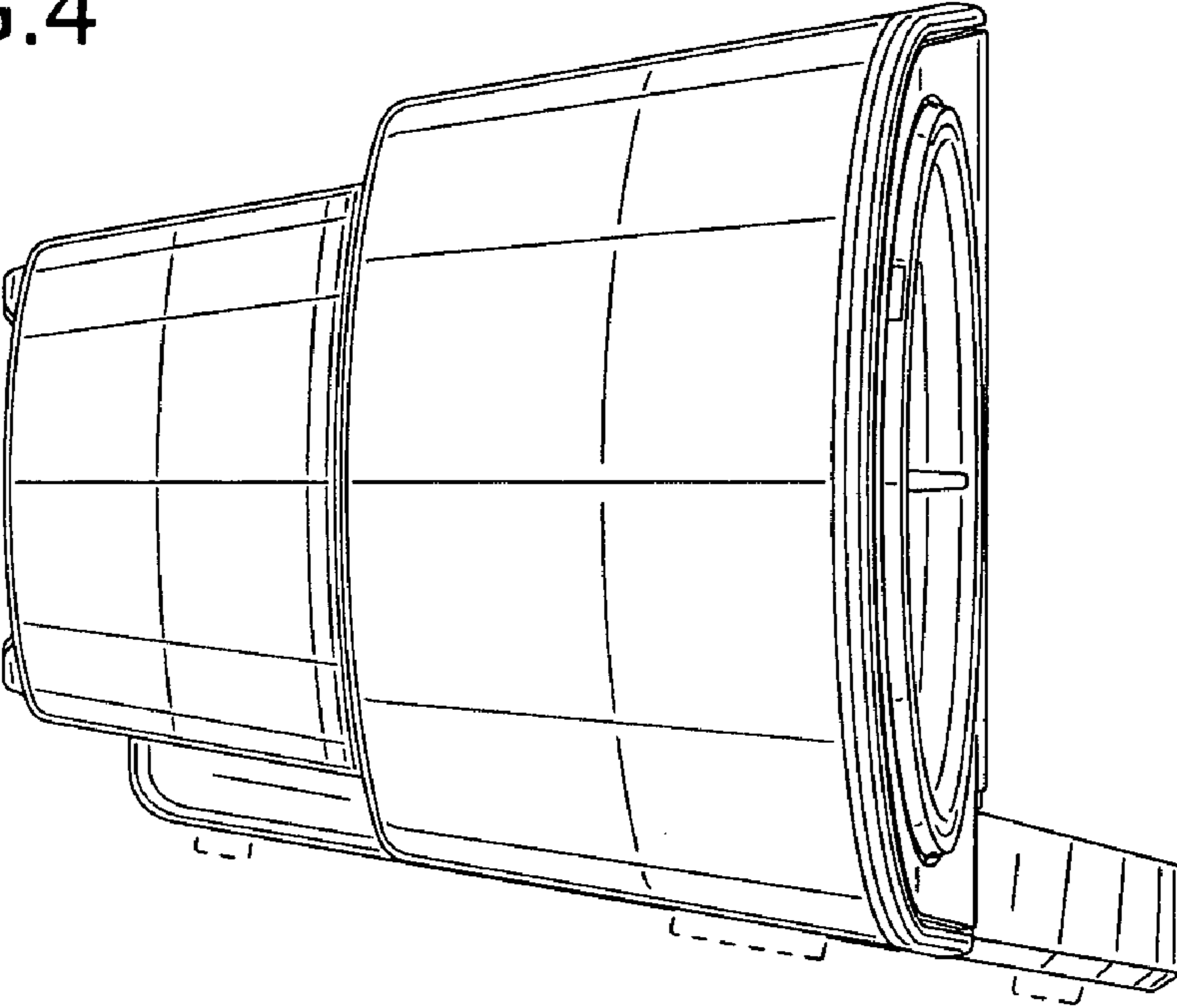


FIG.5

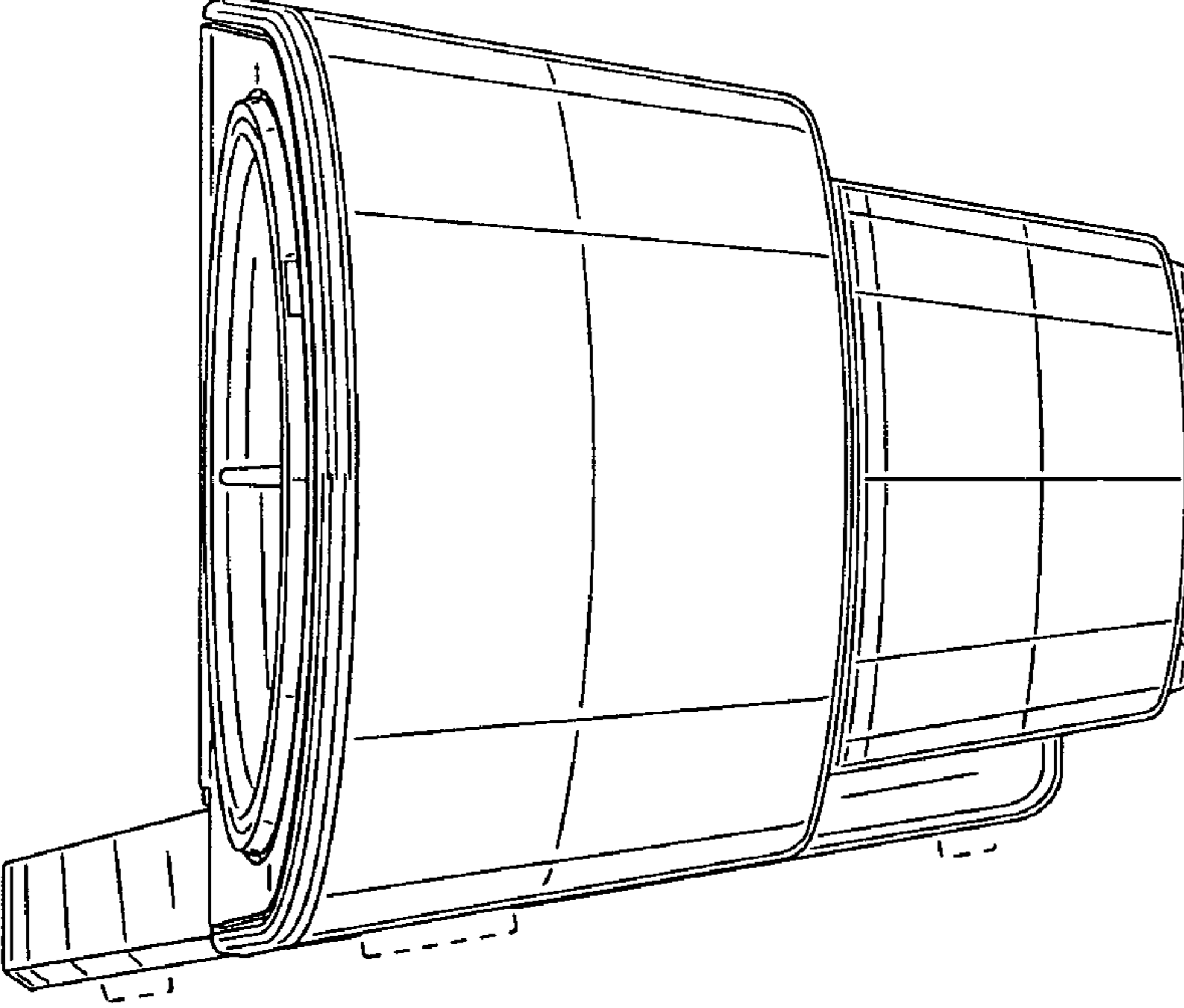


FIG.6

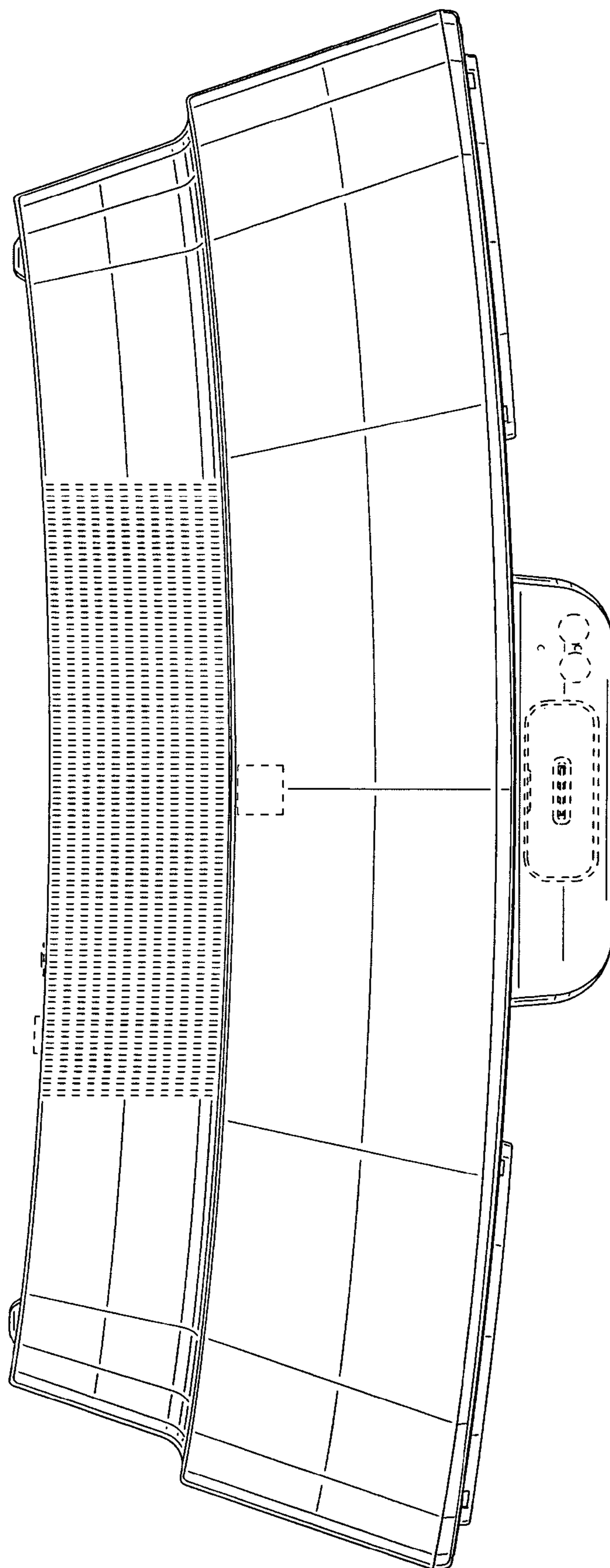


FIG.7

