



US00D625287S

(12) **United States Design Patent**
Rayn

(10) **Patent No.:** **US D625,287 S**

(45) **Date of Patent:** **** Oct. 12, 2010**

(54) **MP3 VIDEO PLAYER**

(75) Inventor: **Roy Rayn**, Los Angeles, CA (US)

(73) Assignee: **Shaghal Ltd.**, Los Angeles, CA (US)

(**) Term: **14 Years**

(21) Appl. No.: **29/316,846**

(22) Filed: **Nov. 6, 2009**

(51) **LOC (9) Cl.** **14-03**

(52) **U.S. Cl.** **D14/203.7; D14/203.3;**
D14/496

(58) **Field of Classification Search** D14/496,
D14/401, 435, 474, 483, 217, 137, 138, 160,
D14/168, 356, 203.1–203.8, 507; 345/156,
345/169, 173–179, 905; 715/727–729, 864;
710/1, 5, 8; 713/1, 600; 455/1.1, 1.7, 73,
455/344–347, 93, 95, 3.01–3.06, 550.1, 573.1;
370/342–344; 369/1, 2, 6–12; 463/43–47;
273/148 B

See application file for complete search history.

(56) **References Cited**

U.S. PATENT DOCUMENTS

5,661,632 A * 8/1997 Register 361/679.3
6,977,675 B2 * 12/2005 Kotzin 348/208.2
D539,811 S * 4/2007 Lee D14/203.7
7,303,424 B2 * 12/2007 Tu et al. 439/372
D563,432 S * 3/2008 Kim D14/496

D567,819 S * 4/2008 Devericks et al. D14/496
D593,087 S * 5/2009 Andre et al. D14/341
D593,432 S * 6/2009 Stipek D11/34
D602,015 S * 10/2009 Andre et al. D14/341
D607,870 S * 1/2010 Lee D14/203.7
D607,871 S * 1/2010 Lee D14/203.7
D610,568 S * 2/2010 Yu D14/203.7

* cited by examiner

Primary Examiner—Prabhakar Deshmukh

(74) *Attorney, Agent, or Firm*—Thomas I. Rozsa

(57) **CLAIM**

The ornamental design for an MP3 video player, as shown and described.

DESCRIPTION

FIG. 1 is a side perspective view of an MP3 video player, showing my design.

FIG. 2 is a front elevational view thereof;

FIG. 3 is a rear elevational view thereof;

FIG. 4 is a left side view thereof;

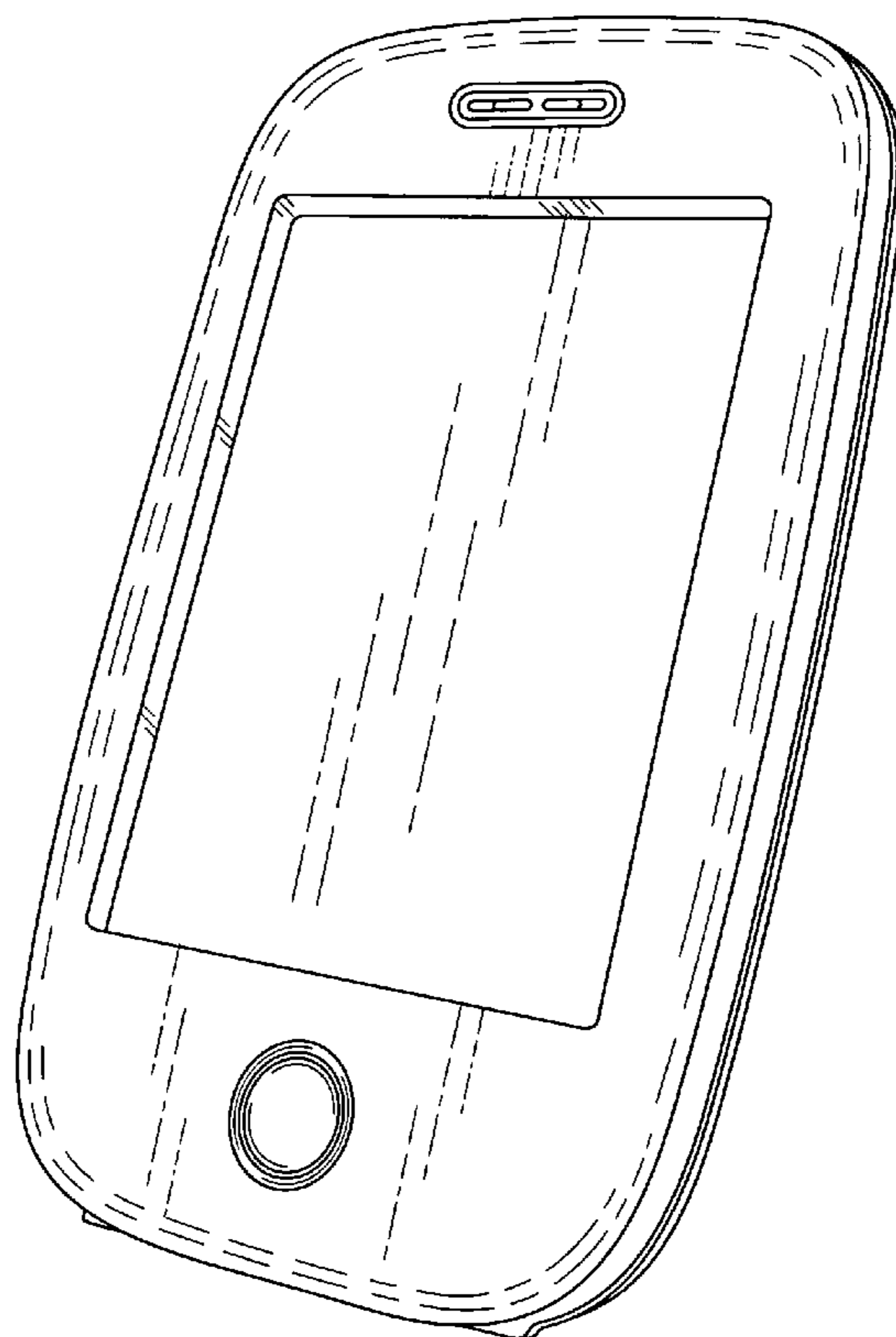
FIG. 5 is a right side view thereof;

FIG. 6 is a top plan view thereof; and,

FIG. 7 is a bottom plan view.

The broken lines indicate the disclaimed portions and form no part of the claimed design.

1 Claim, 4 Drawing Sheets



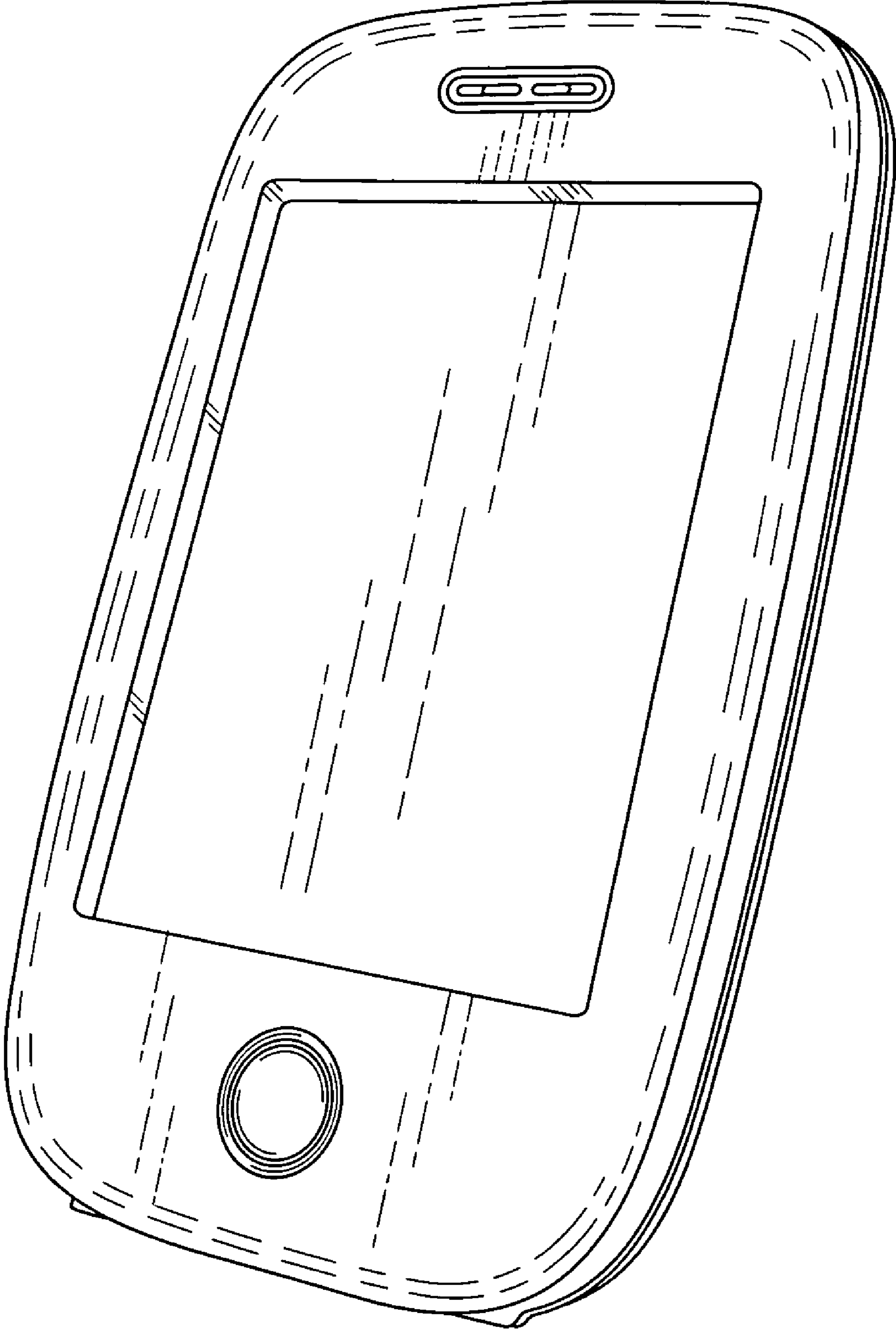


FIG. 1

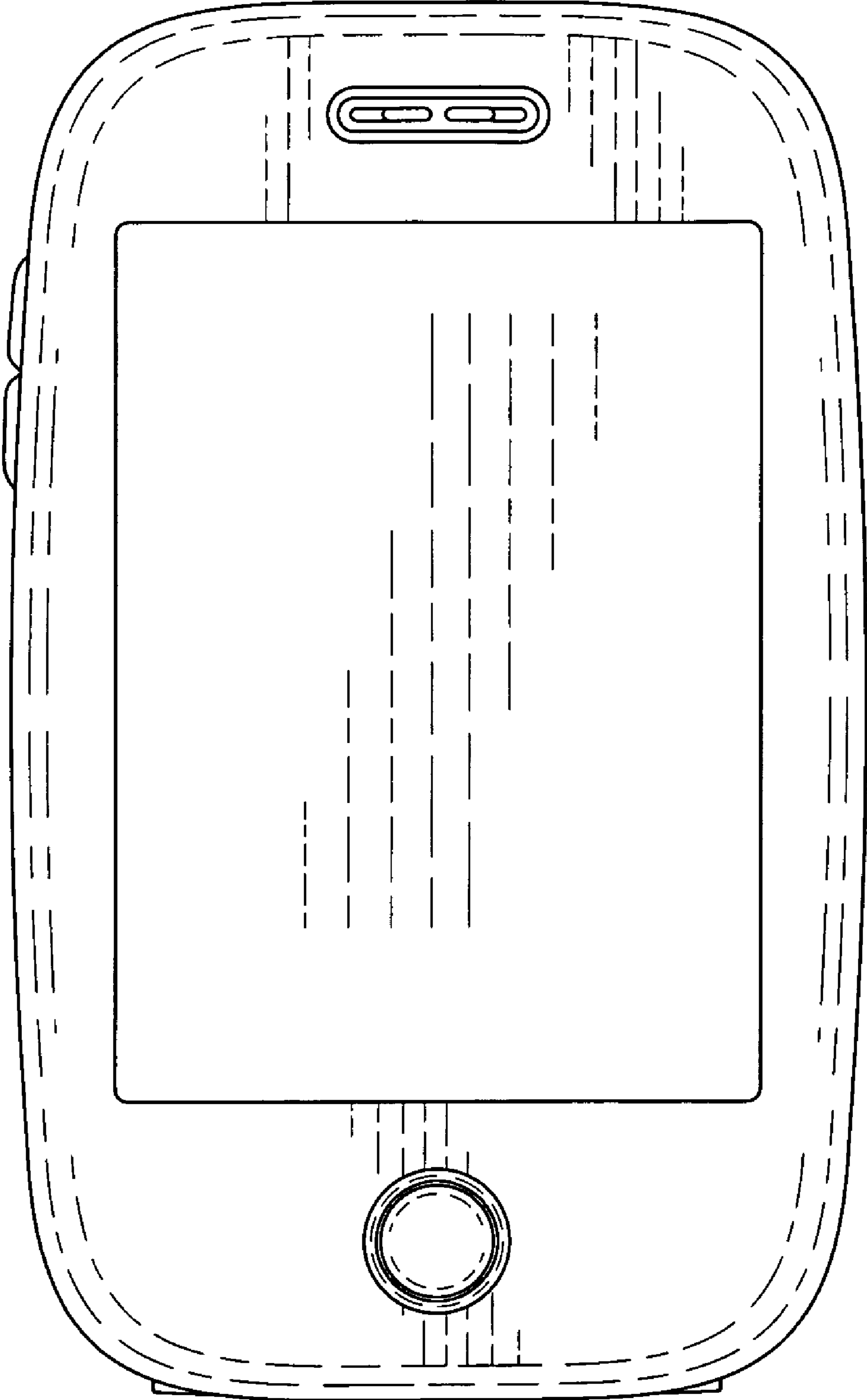


FIG. 2

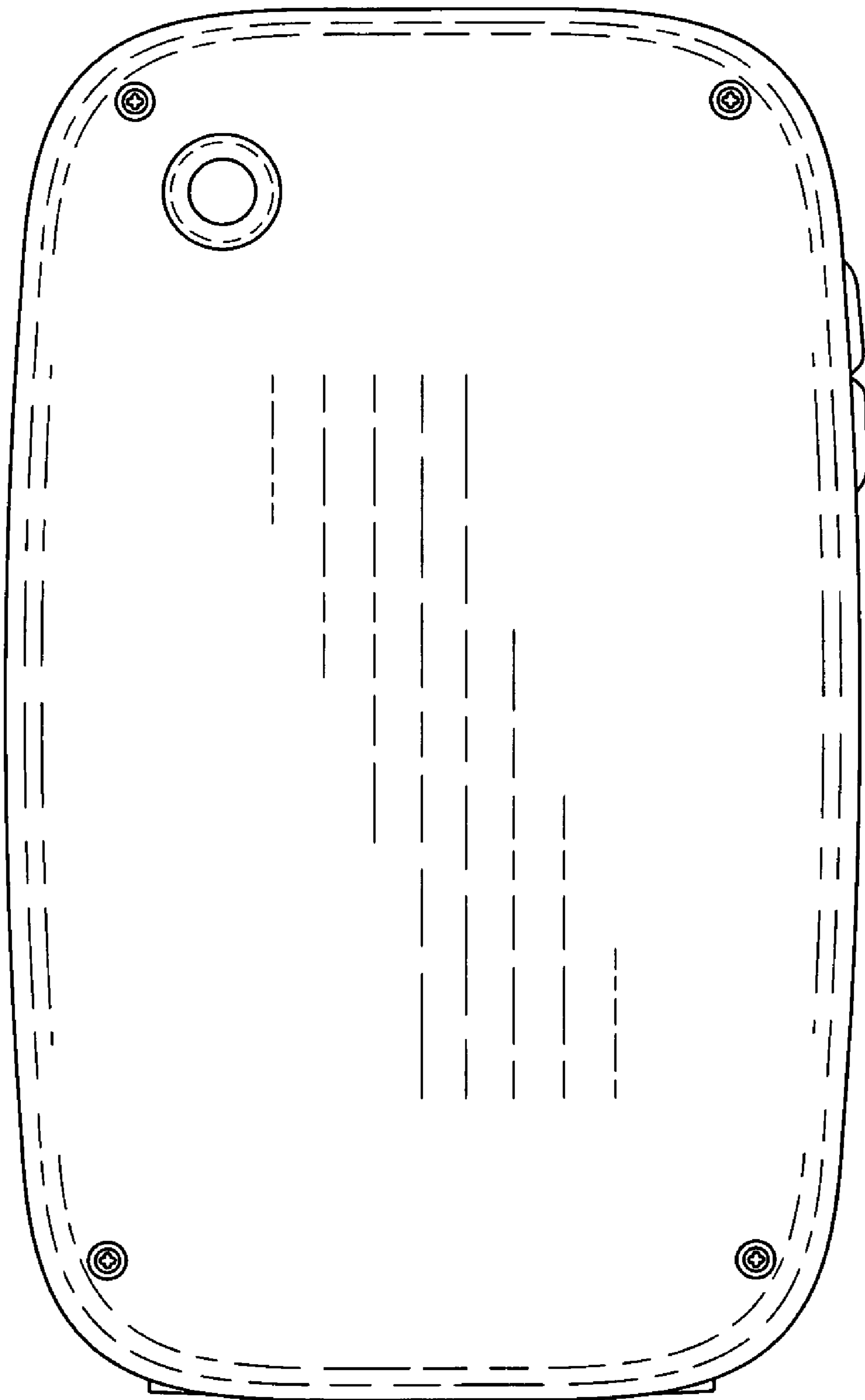


FIG. 3

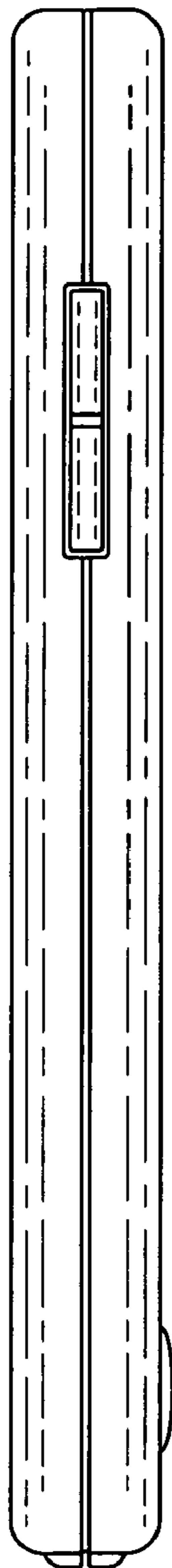


FIG. 4

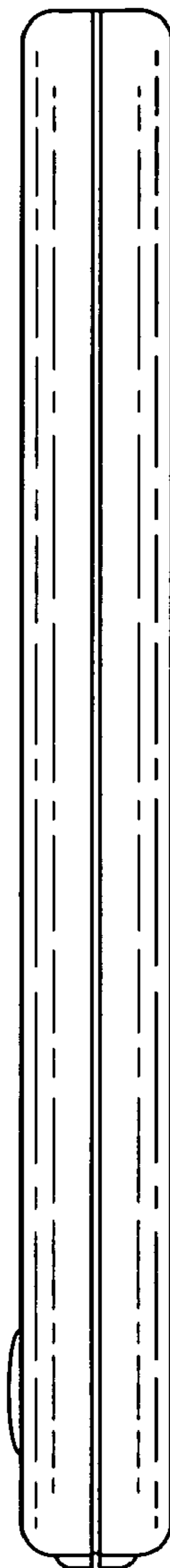


FIG. 5

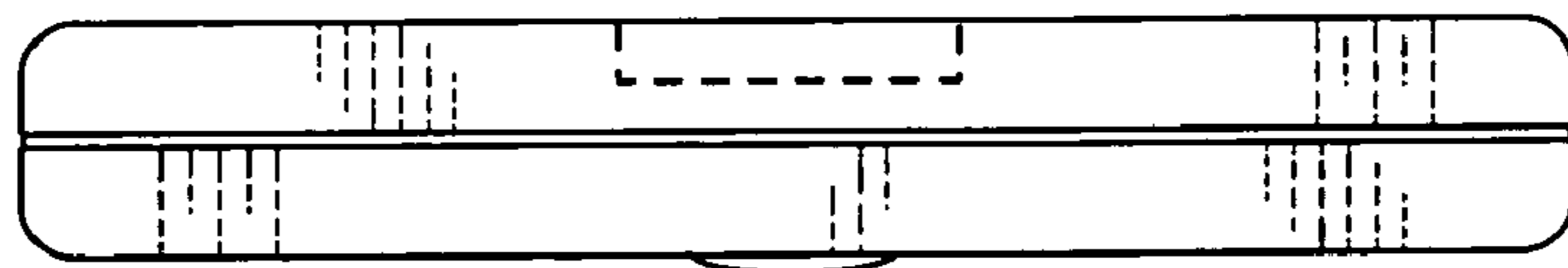


FIG. 6

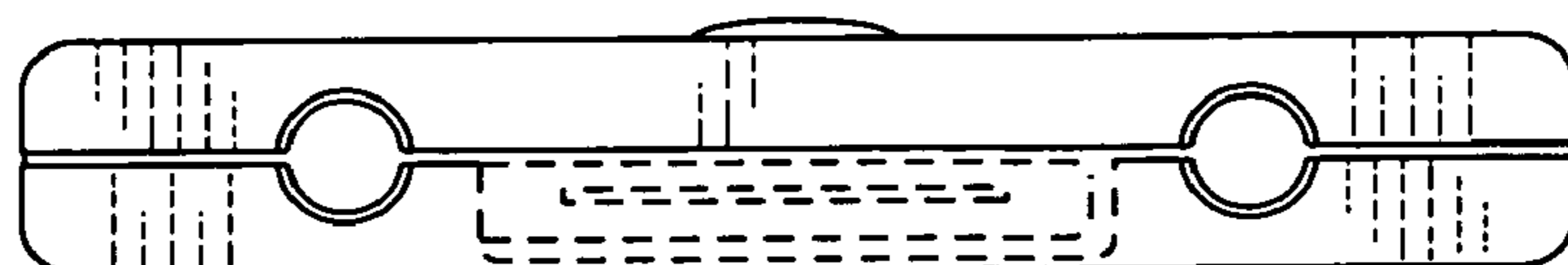


FIG. 7