



US00D625286S

(12) **United States Design Patent**  
**Hibino et al.**

(10) **Patent No.:** **US D625,286 S**  
(45) **Date of Patent:** **\*\* Oct. 12, 2010**

(54) **AUDIO PLAYER**

(75) Inventors: **Takuro Hibino**, Tokyo (JP); **Yosuke Shimizu**, Tokyo (JP); **Naoki Sugiyama**, Tokyo (JP); **Naoto Shimizu**, Tokyo (JP)

(73) Assignee: **Sony Corporation**, Tokyo (JP)

(\*\*) Term: **14 Years**

(21) Appl. No.: **29/311,035**

(22) Filed: **Dec. 12, 2008**

(30) **Foreign Application Priority Data**

Jun. 13, 2008 (JP) ..... D2008-015233  
Jun. 13, 2008 (JP) ..... D2008-015234

(51) **LOC (9) Cl.** ..... **14-03**

(52) **U.S. Cl.** ..... **D14/203.3**; D14/496; D14/203.1

(58) **Field of Classification Search** ..... D14/496,  
D14/401, 435, 474, 483, 217, 137, 138, 160,  
D14/168, 356, 203.1–203.8, 507; 345/156,  
345/169, 173–179, 905; 715/727–729, 864;  
710/1, 5, 8; 713/1, 600; 455/1.1, 1.7, 73,  
455/344–347, 93, 95, 3.01–3.06, 550.1, 573.1;  
370/342–344; 369/1, 2, 6–12; 463/43–47;  
273/148 B

See application file for complete search history.

(56) **References Cited**

**U.S. PATENT DOCUMENTS**

D459,333 S 6/2002 Nakamura  
D467,893 S 12/2002 Yamada  
6,593,914 B1 \* 7/2003 Nuovo et al. .... 345/169  
D479,235 S \* 9/2003 Tanaka et al. .... D14/346  
D486,136 S 2/2004 Hibi  
D486,465 S 2/2004 Tanaka  
D488,471 S \* 4/2004 Yagawa et al. .... D14/346

D491,550 S 6/2004 Hirano  
D493,457 S \* 7/2004 Hsu ..... D14/346  
D505,937 S 6/2005 Komiyama  
D518,016 S 3/2006 Hirano  
D518,018 S 3/2006 Hirano  
D540,815 S \* 4/2007 Zhang ..... D14/496  
D548,247 S \* 8/2007 Lee ..... D14/496  
7,281,214 B2 \* 10/2007 Fadell ..... 715/745  
D561,199 S 2/2008 Morisawa  
D571,823 S \* 6/2008 Ledbetter et al. .... D14/496  
D574,015 S 7/2008 Masui  
D601,620 S \* 10/2009 Mase et al. .... D18/19

**FOREIGN PATENT DOCUMENTS**

JP D1323111 S 3/2008

\* cited by examiner

*Primary Examiner*—Prabhakar Deshmukh

(74) *Attorney, Agent, or Firm*—Rader, Fishman & Grauer PLLC

(57) **CLAIM**

The ornamental design for an audio player, as shown and described.

**DESCRIPTION**

FIG. 1 is a perspective view of an audio player showing our new design;

FIG. 2 is a front elevational view thereof;

FIG. 3 is a left side elevational view thereof;

FIG. 4 is a right side elevational view thereof;

FIG. 5 is a top plan view thereof; and,

FIG. 6 is a bottom plan view thereof.

Portions of FIGS. 1-6 that are shown as broken lines are for illustrative purpose only and form no part of the claimed design.

**1 Claim, 6 Drawing Sheets**

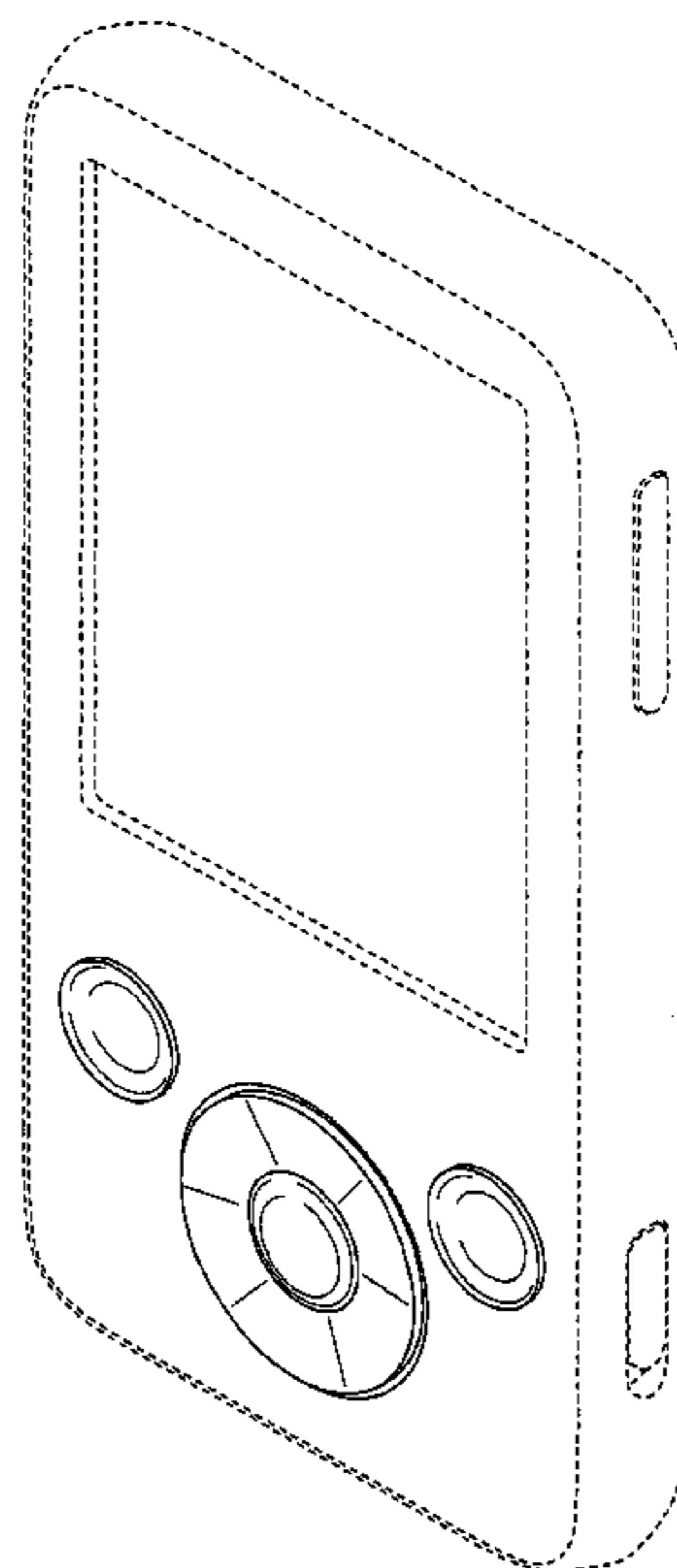


FIG.1

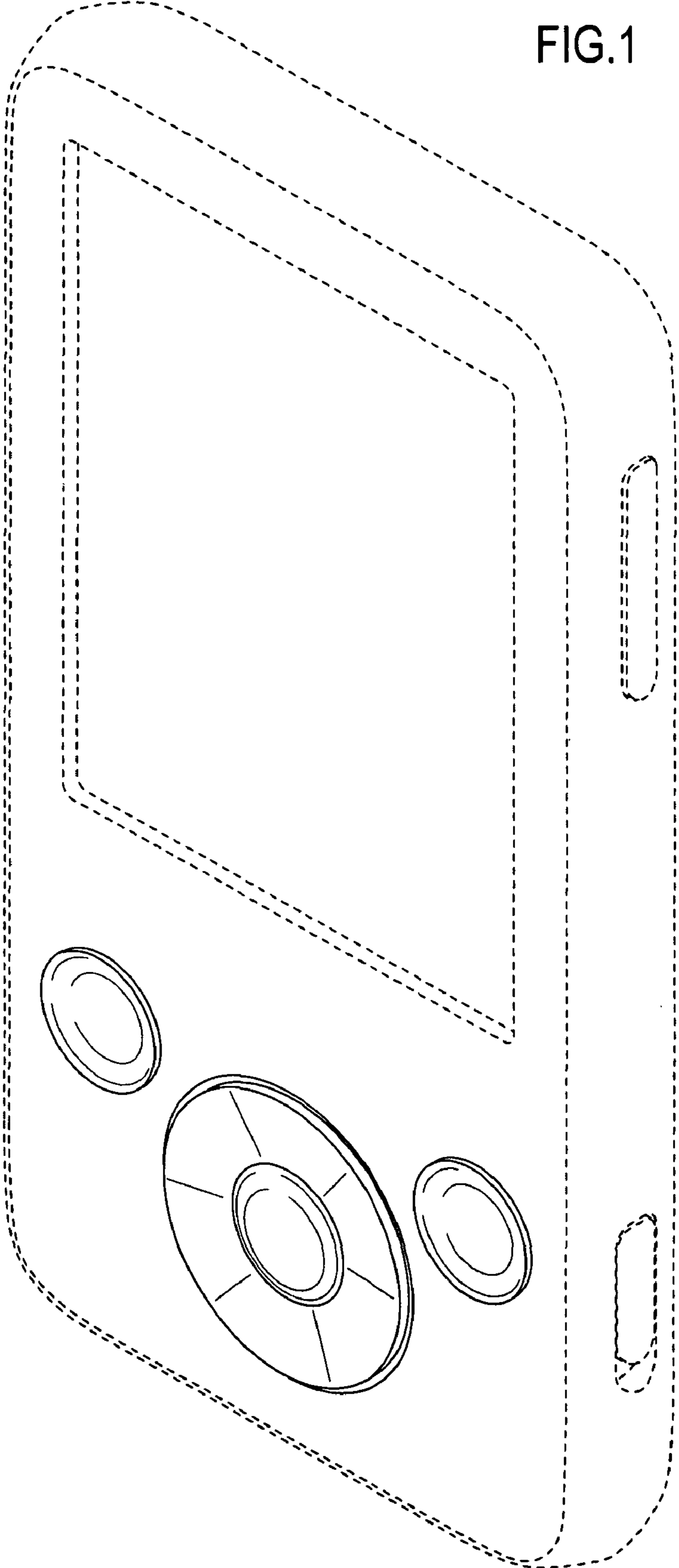


FIG.2

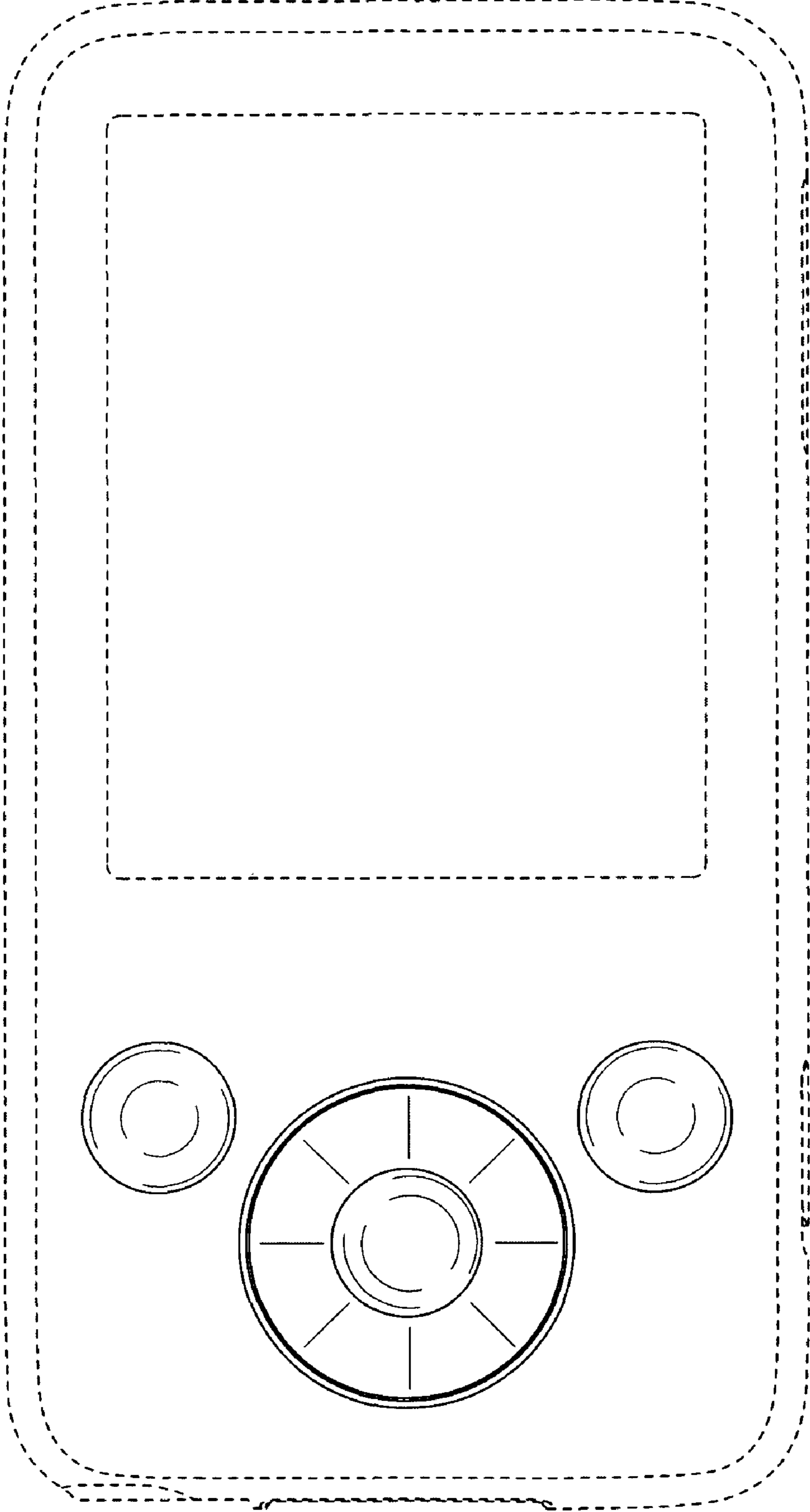


FIG.3

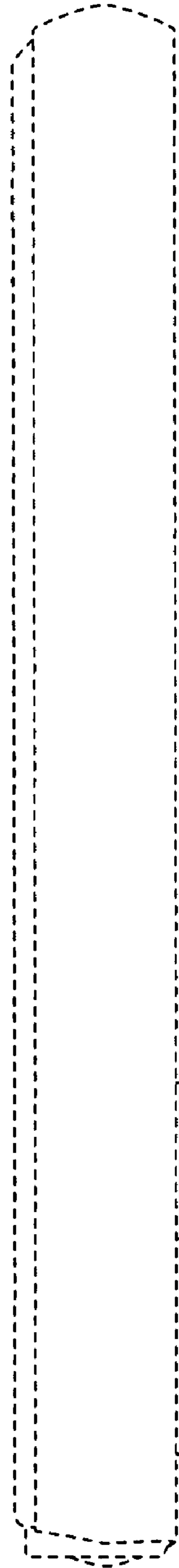


FIG.4

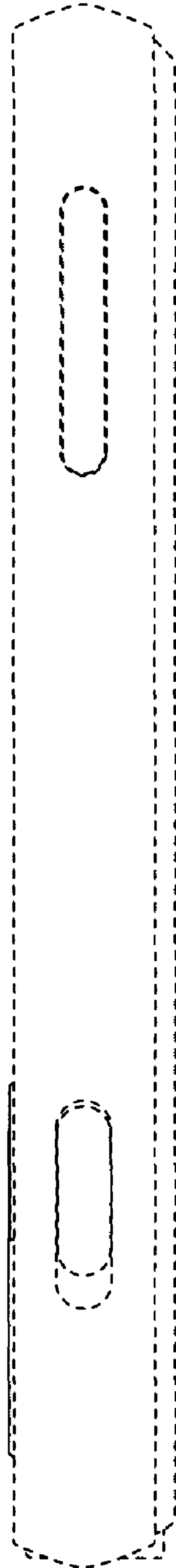


FIG.5



FIG.6

