



US00D625285S

(12) **United States Design Patent**  
**Miyawaki**

(10) **Patent No.:** **US D625,285 S**

(45) **Date of Patent:** **\*\* Oct. 12, 2010**

(54) **DIGITAL AUDIO PLAYER**

D534,887 S \* 1/2007 Endo et al. .... D14/505  
D558,196 S \* 12/2007 Kaneko et al. .... D14/257

(75) Inventor: **Masayuki Miyawaki**, Chigasaki (JP)

\* cited by examiner

(73) Assignee: **Clarion Co., Ltd.**, Tokyo (JP)

*Primary Examiner*—Nanda Bondade  
(74) *Attorney, Agent, or Firm*—Oliff & Berridge, PLC

(\*\*) Term: **14 Years**

(21) Appl. No.: **29/328,711**

(57) **CLAIM**

(22) Filed: **Dec. 1, 2008**

The ornamental design for a digital audio player, as shown and described.

(51) **LOC (9) Cl.** ..... **14-01**

(52) **U.S. Cl.** ..... **D14/157**

(58) **Field of Classification Search** ..... D14/496,  
D14/498–505, 137, 157, 168, 188, 197–198,  
D14/257–258; 360/99.02, 99.07; 369/75.11,  
369/75.21, 77.11, 77.21; 720/601, 612, 619,  
720/649, 655; 455/344, 347–351

See application file for complete search history.

**DESCRIPTION**

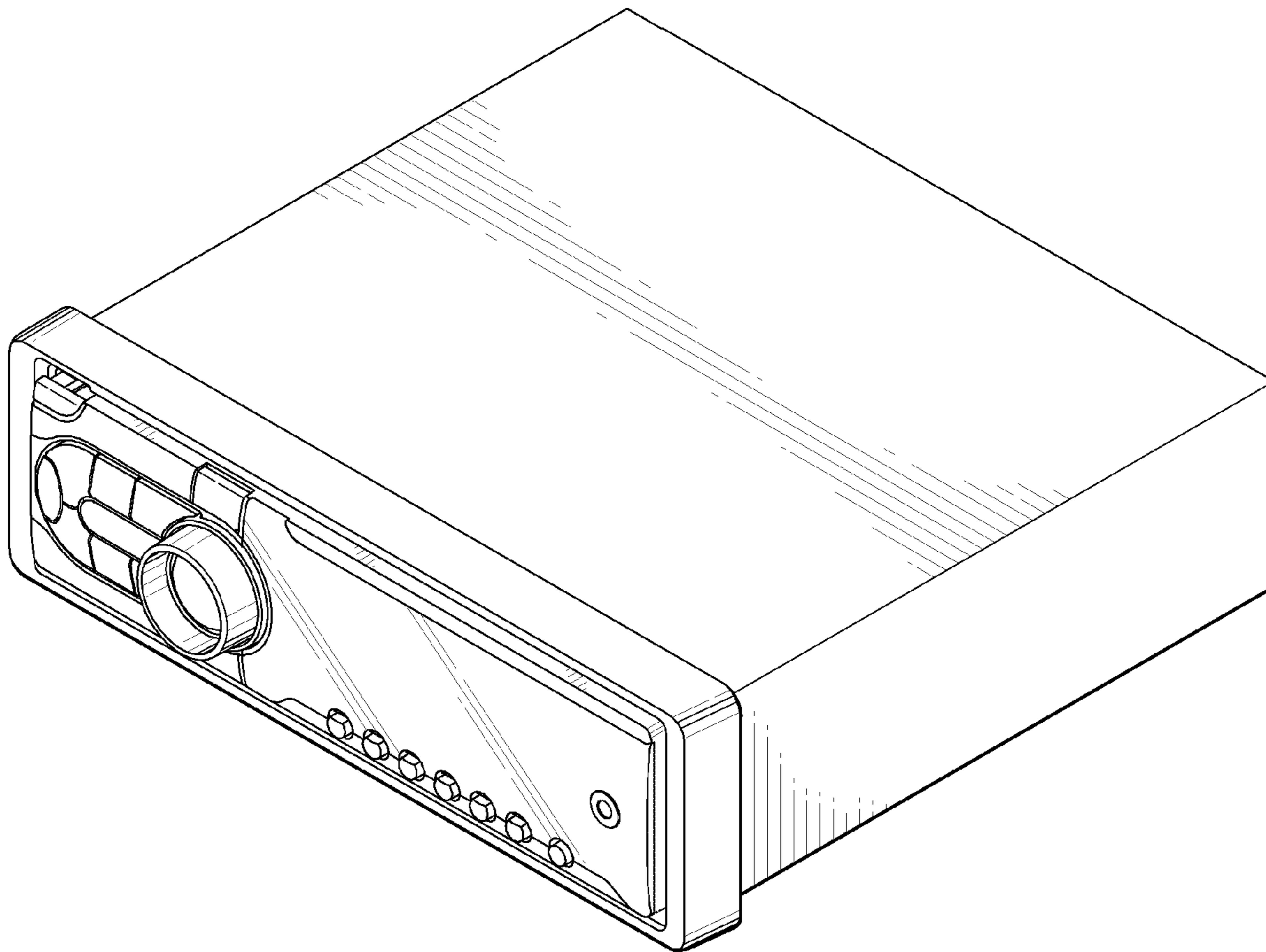
FIG. 1 is a perspective view of a digital audio player;  
FIG. 2 is a front view thereof;  
FIG. 3 is a rear view thereof;  
FIG. 4 is a left-side view thereof;  
FIG. 5 is a right-side view thereof;  
FIG. 6 is a top view thereof; and,  
FIG. 7 is a bottom view thereof.

(56) **References Cited**

**U.S. PATENT DOCUMENTS**

D532,006 S \* 11/2006 Kim ..... D14/258

**1 Claim, 5 Drawing Sheets**



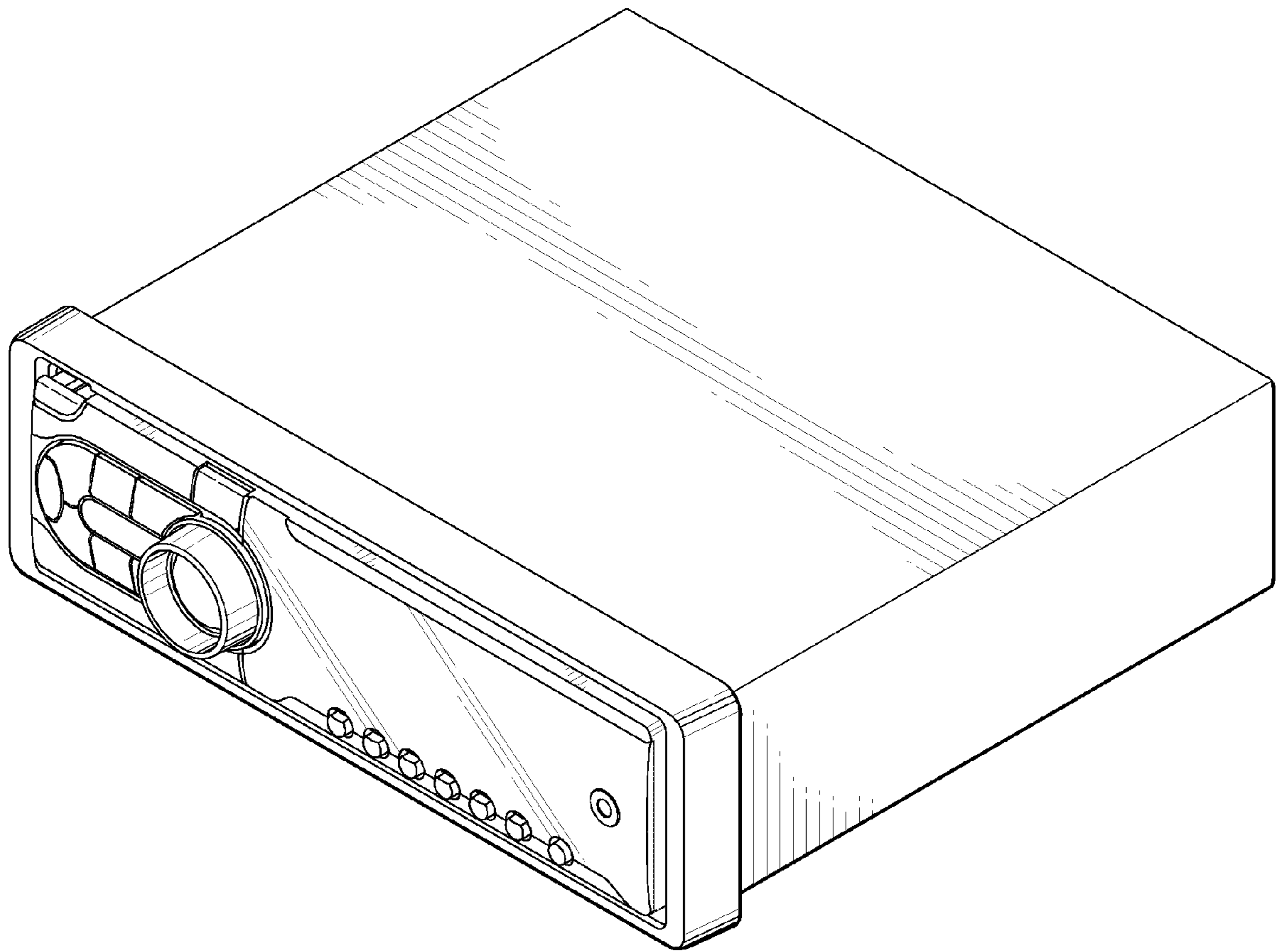


FIG. 1

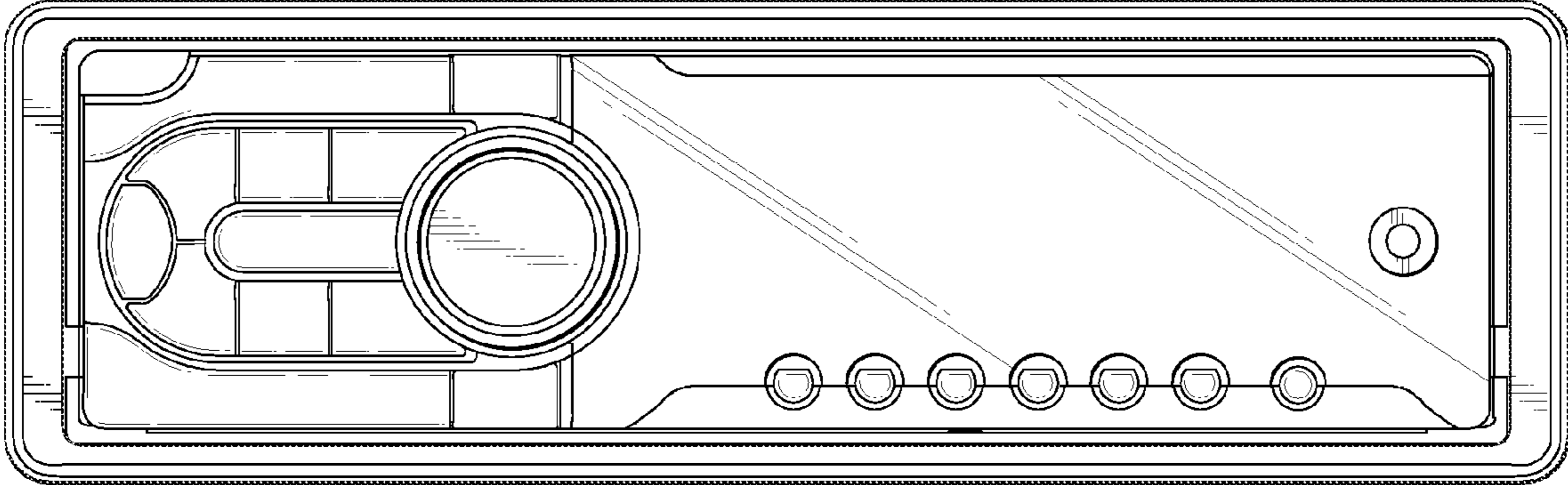


FIG. 2

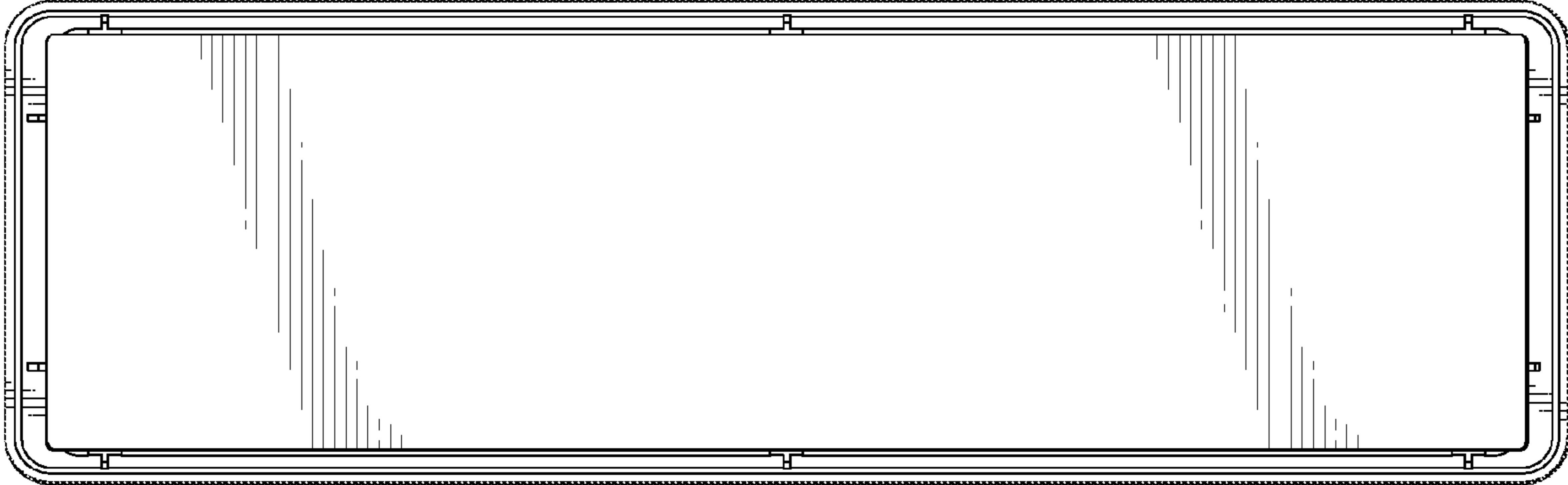


FIG. 3

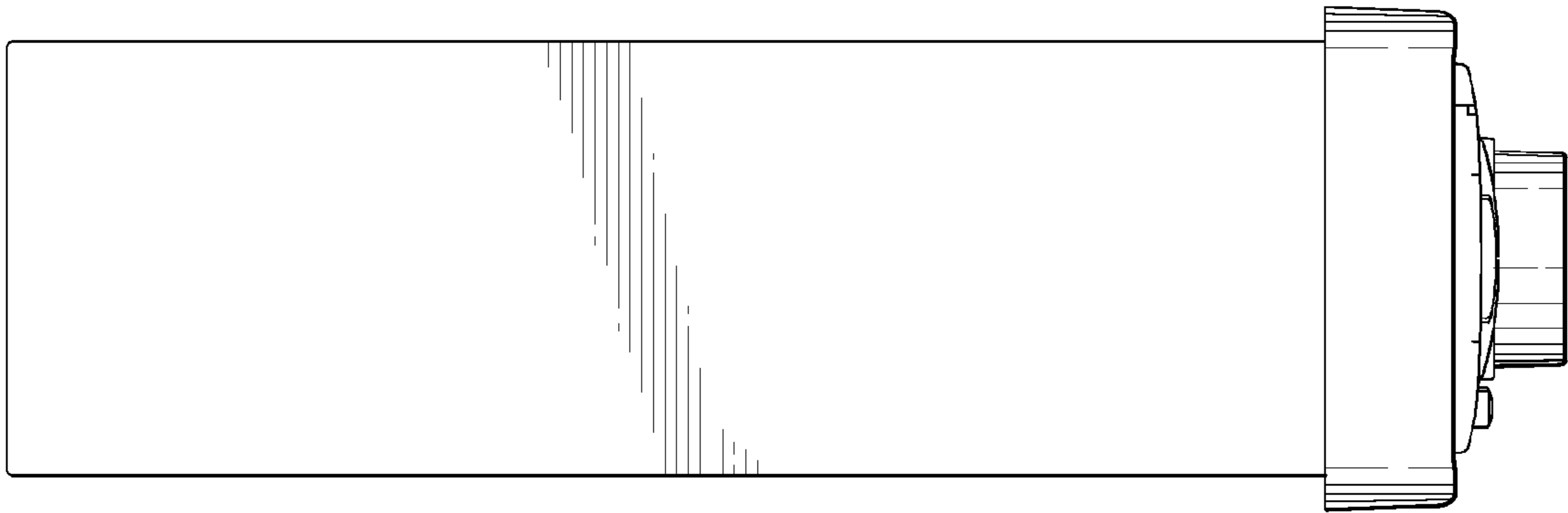


FIG. 4

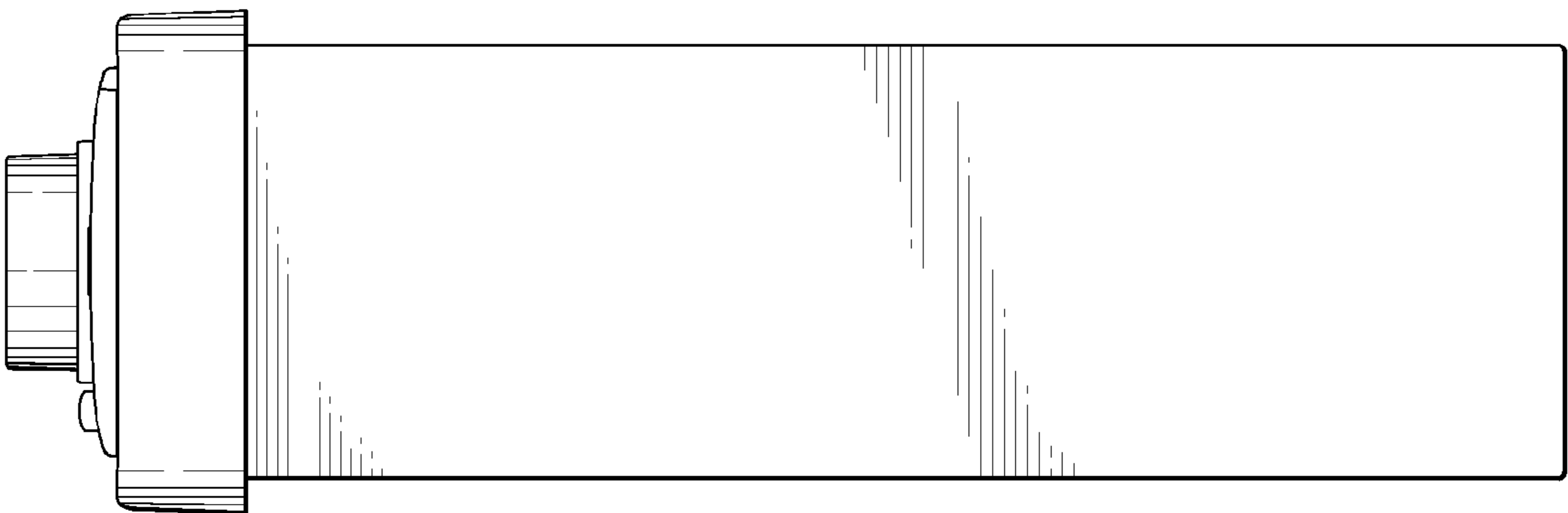


FIG. 5

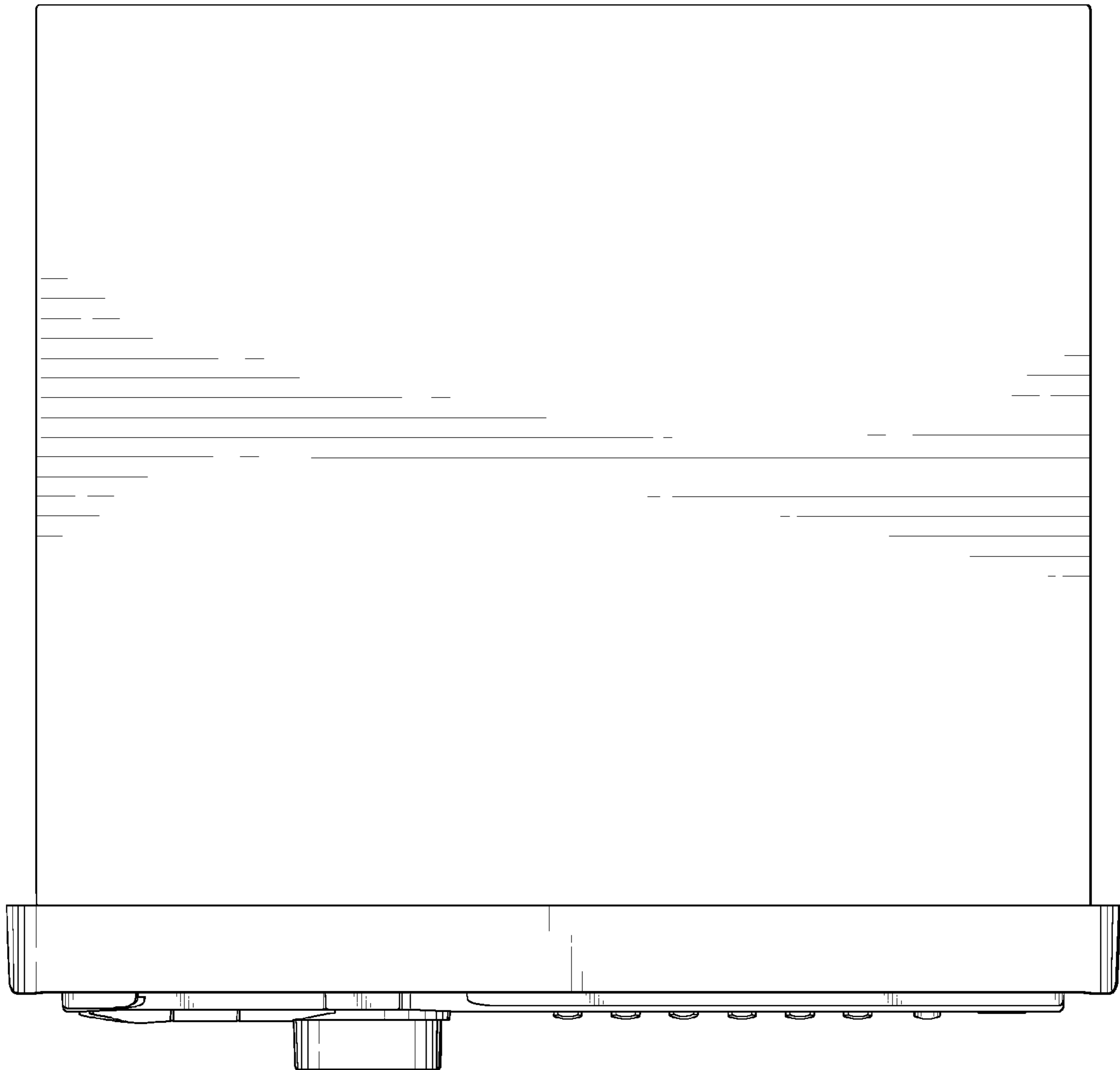


FIG. 6

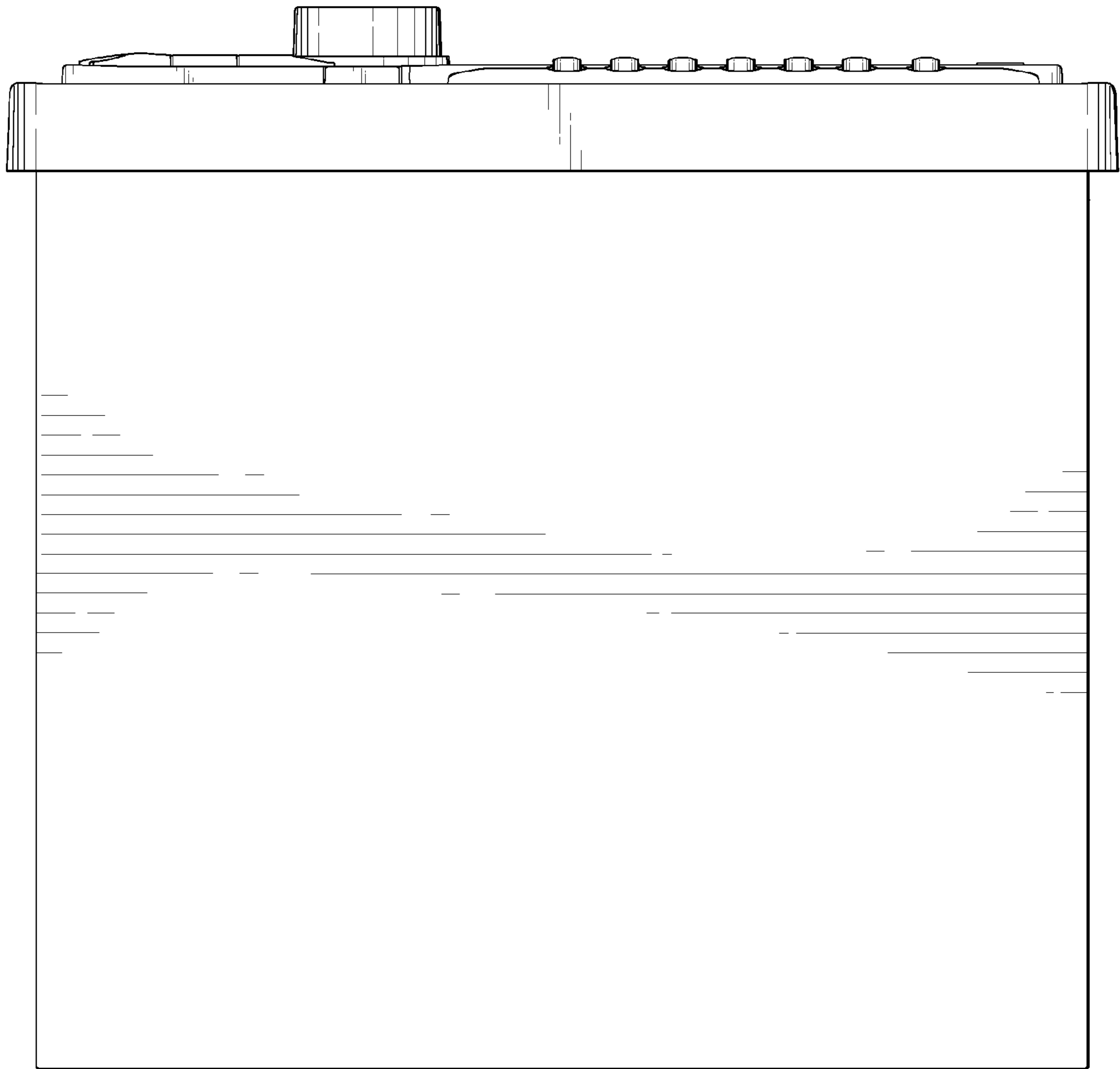


FIG. 7