



US00D625284S

(12) **United States Design Patent**
Cha

(10) **Patent No.:** **US D625,284 S**
(45) **Date of Patent:** **** Oct. 12, 2010**

(54) **MOBILE PHONE**

(75) Inventor: **Yong Duk Cha**, Gyeonggi-do (KR)

(73) Assignee: **LG Electronics Inc.**, Seoul (KR)

(**) Term: **14 Years**

(21) Appl. No.: **29/345,258**

(22) Filed: **Oct. 13, 2009**

(30) **Foreign Application Priority Data**

Apr. 14, 2009 (KR) 30-2009-0015841

(51) **LOC (9) Cl.** **14-03**

(52) **U.S. Cl.** **D14/138 AB; D14/138 R**

(58) **Field of Classification Search** D14/138 AB,
D14/138 R, 138 AD, 138 G, 341-347, 203.4,
D14/203.7, 203.2, 191; 455/575.3, 575.1,
455/556.2; 379/433.11, 433.13; D21/517;
D18/7

See application file for complete search history.

(56) **References Cited**

U.S. PATENT DOCUMENTS

5,189,632	A *	2/1993	Paajanen et al.	708/109
D373,347	S *	9/1996	Ashley et al.	D14/343
D381,021	S *	7/1997	Williams et al.	D14/138 G
D389,838	S *	1/1998	Brunner et al.	D14/218
5,742,894	A *	4/1998	Jambhekar et al.	455/575.3
D413,885	S *	9/1999	Irimajiri et al.	D14/144
6,847,519	B2 *	1/2005	Arbisi et al.	361/679.12
6,925,684	B2 *	8/2005	Kang et al.	16/264
7,194,086	B2 *	3/2007	Pletikosa	379/433.12
D542,768	S *	5/2007	Hwang et al.	D14/138 G
D542,769	S *	5/2007	Hwang et al.	D14/138 G
D557,673	S *	12/2007	Lee et al.	D14/138 AA
D557,674	S *	12/2007	Lee et al.	D14/138 AB
D566,678	S *	4/2008	Jensfelt	D14/138 AB
7,412,258	B1 *	8/2008	Lipponen et al.	455/556.1
D580,928	S *	11/2008	Bemelmans et al.	D14/345
D588,122	S *	3/2009	Shimizu	D14/331
7,511,948	B2 *	3/2009	Hirayama	345/168
D592,211	S *	5/2009	Ichise et al.	D14/346

D592,212	S *	5/2009	Hamada et al.	D14/346
D604,730	S *	11/2009	Shih et al.	D14/346
D605,156	S *	12/2009	Kim et al.	D14/138 AB
2003/0073456	A1 *	4/2003	Griffin et al.	455/550

(Continued)

OTHER PUBLICATIONS

Sony Ericsson P900 telephone, announced 4th quarter 2003, [online], [site visited May 22, 2010]. Available from Internet, <URL: <http://www.gsmarena.com>>.*

(Continued)

Primary Examiner—Jeffrey D Asch

(74) *Attorney, Agent, or Firm*—Morgan, Lewis & Bockius LLP

(57) **CLAIM**

The ornamental design for a mobile phone, as shown and described.

DESCRIPTION

FIG. 1 is a perspective view of a mobile phone showing my new design;

FIG. 2 is a front view thereof;

FIG. 3 is a rear view thereof;

FIG. 4 is a left side view thereof;

FIG. 5 is a right side view thereof;

FIG. 6 is a top plan view thereof;

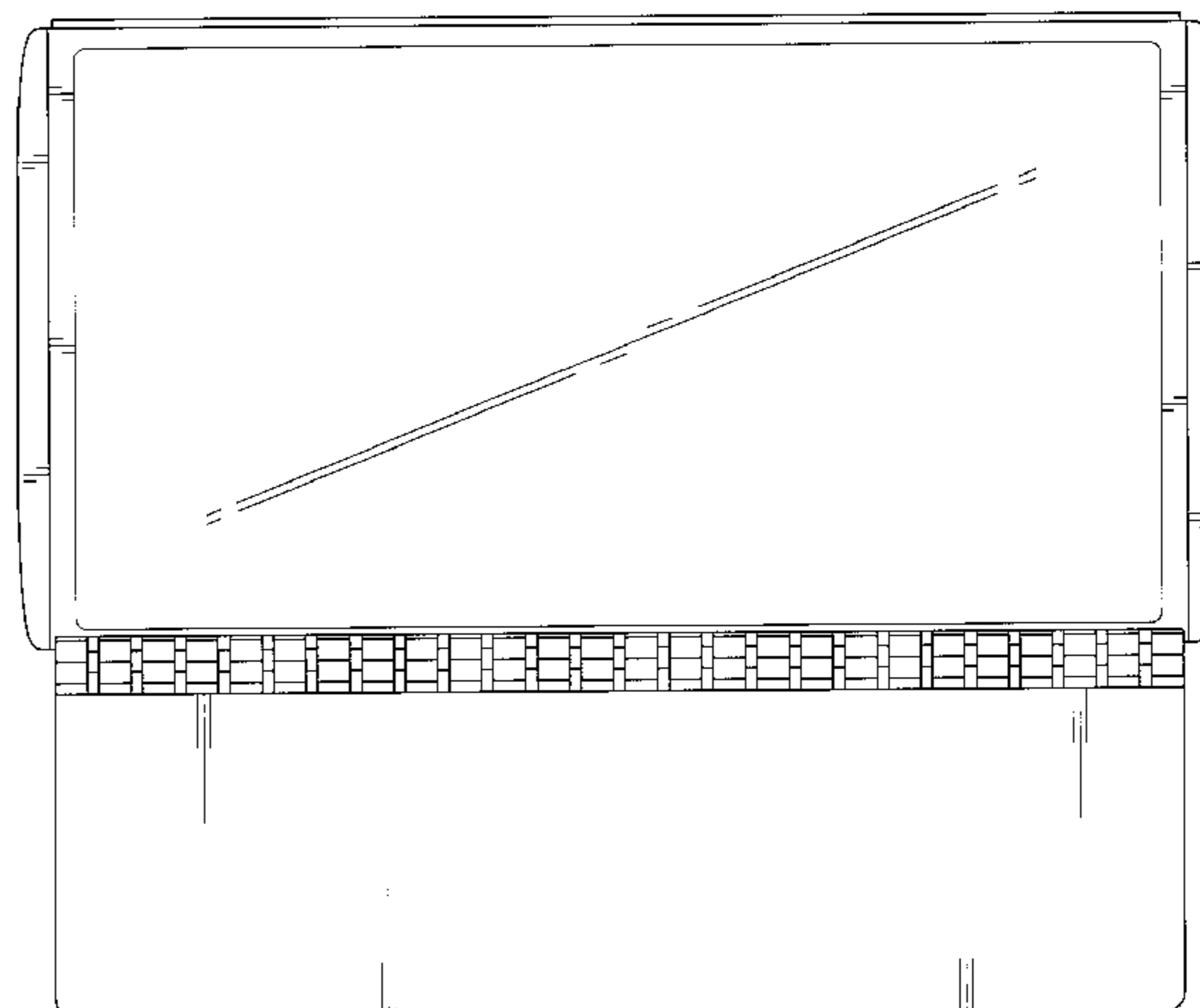
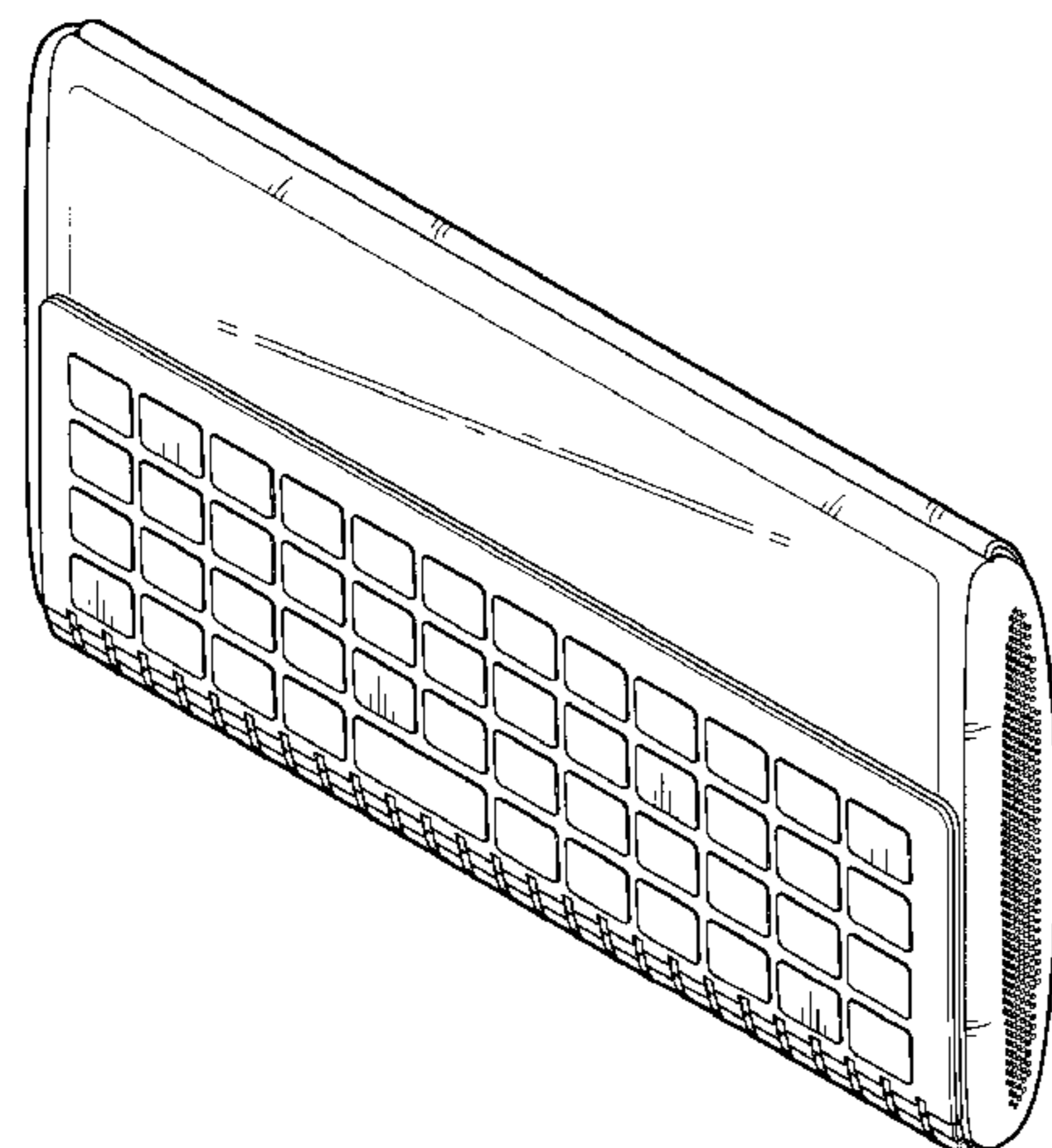
FIG. 7 is a bottom plan view thereof;

FIG. 8 is a front view thereof in a condition that the qwerty key pad at the lower part of the mobile phone is swivelled at an angle of 180 degrees and the touch screen is fully exposed;

FIG. 9 is a rear view of FIG. 8; and,

FIG. 10 is a front view thereof in a condition that the qwerty key pad at the lower part of the mobile phone is swivelled at an angle of 360 degrees.

1 Claim, 8 Drawing Sheets



US D625,284 S

Page 2

U.S. PATENT DOCUMENTS

2007/0259702 A1* 11/2007 Kempinen 455/575.4

OTHER PUBLICATIONS

Sony Ericsson P910 telephone, announced 3rd quarter 2004, [online], [site visited May 22, 2010]. Available from Internet, <URL: <http://www.gsmarena.com>>.*

Asus P505 telephone, announced Mar. 2006, [online], [site visited May 22, 2010]. Available from Internet, <URL: <http://www.gsmarena.com>>.*

Ericsson R380 telephone, announced 2000, [online], [site visited May 22, 2010]. Available from Internet, <URL: <http://www.gsmarena.com>>.*

* cited by examiner

FIG. 1

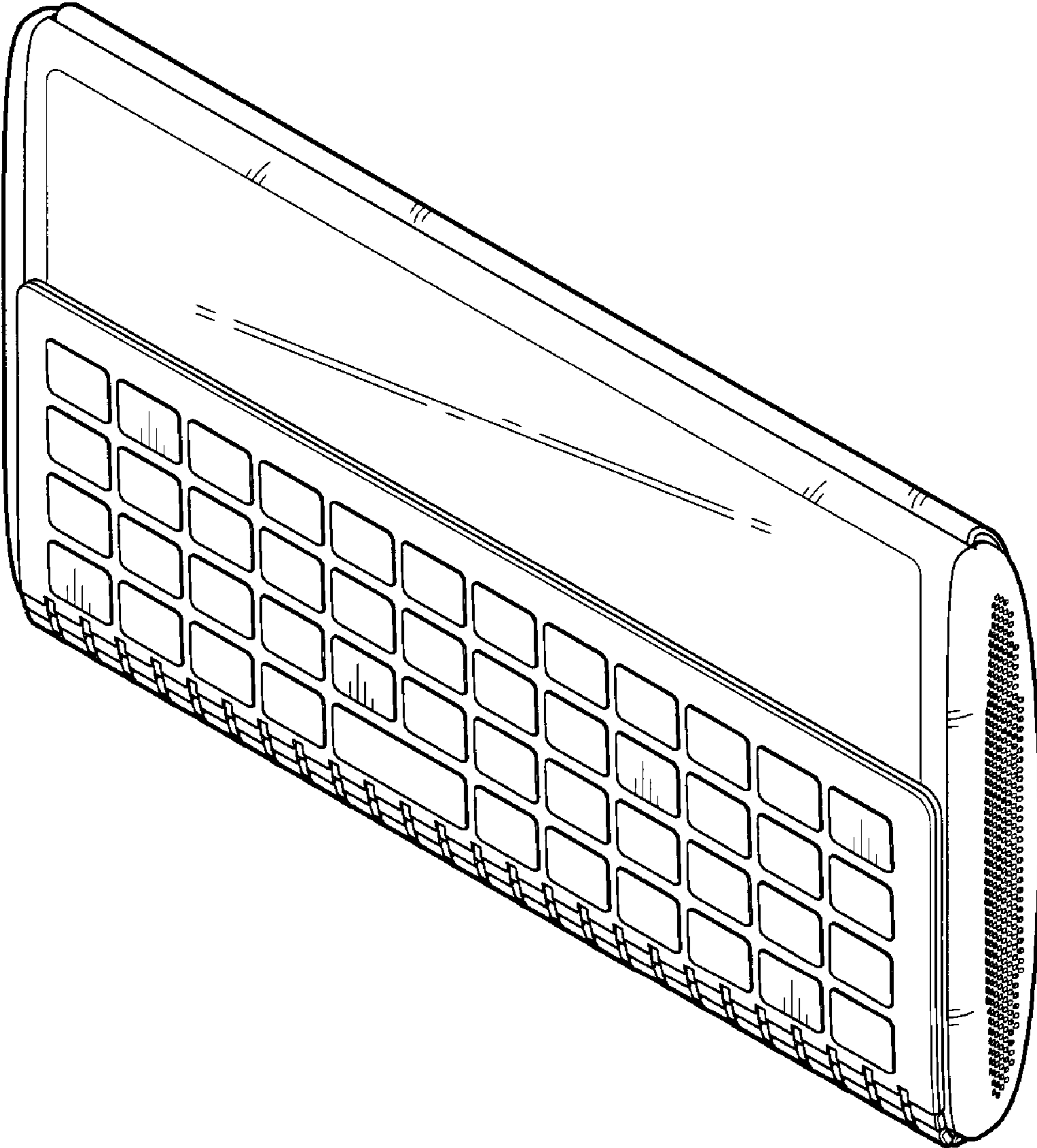


FIG. 2

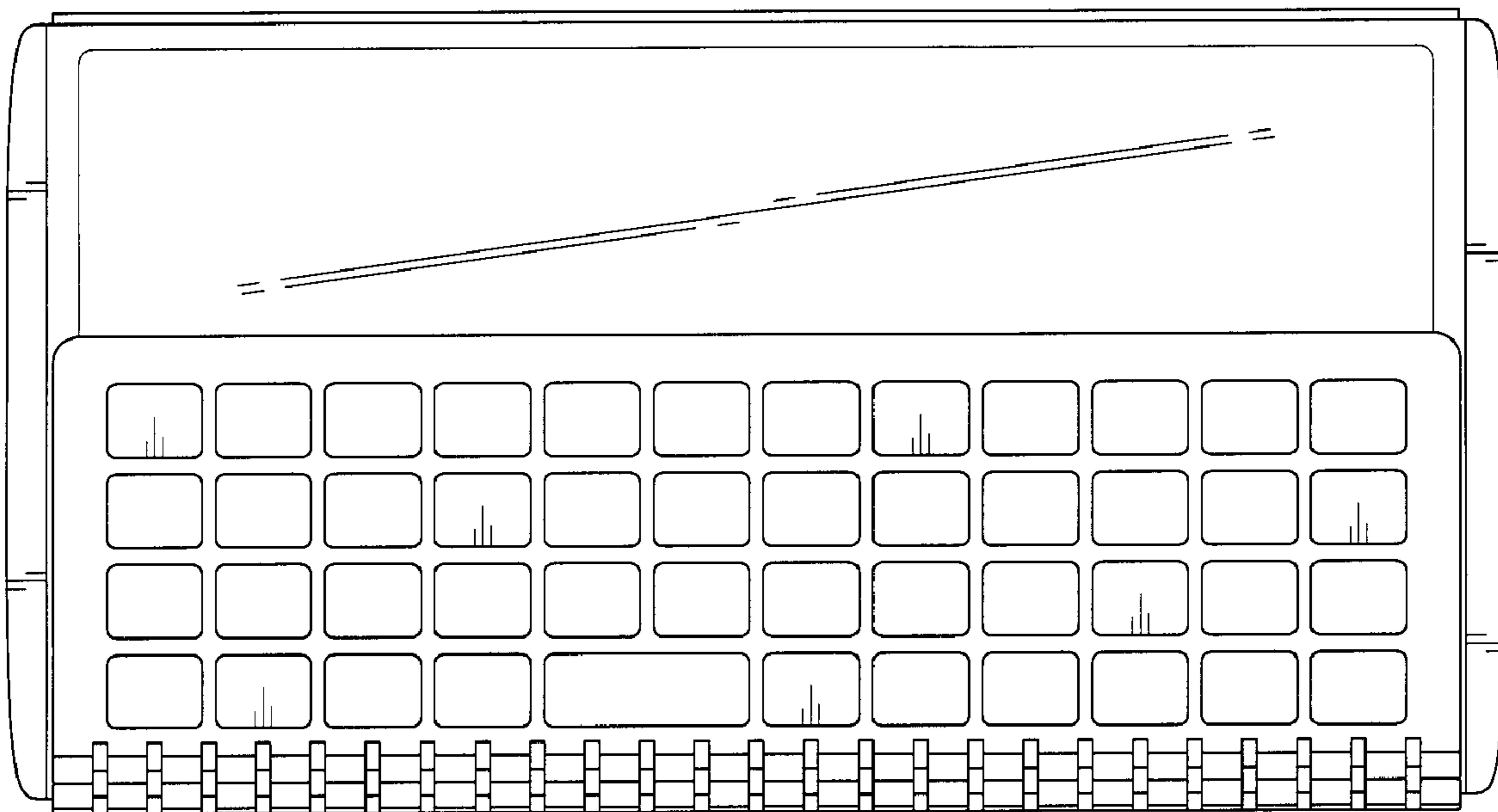


FIG. 3

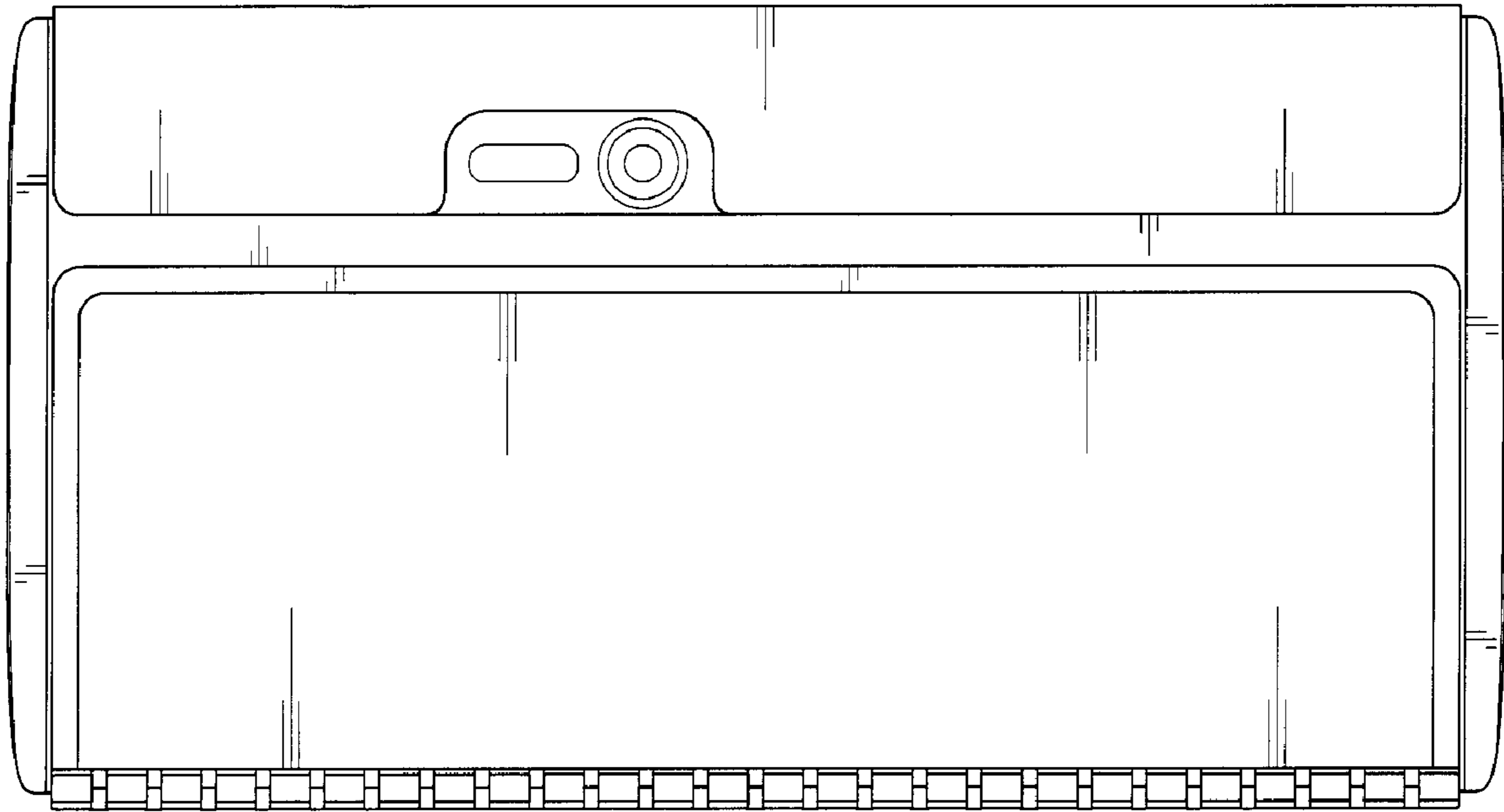


FIG. 4

FIG. 5

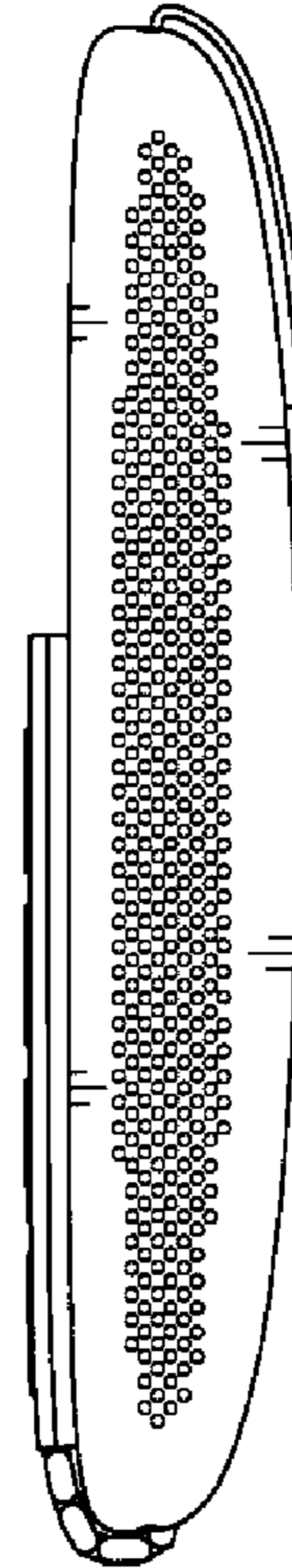
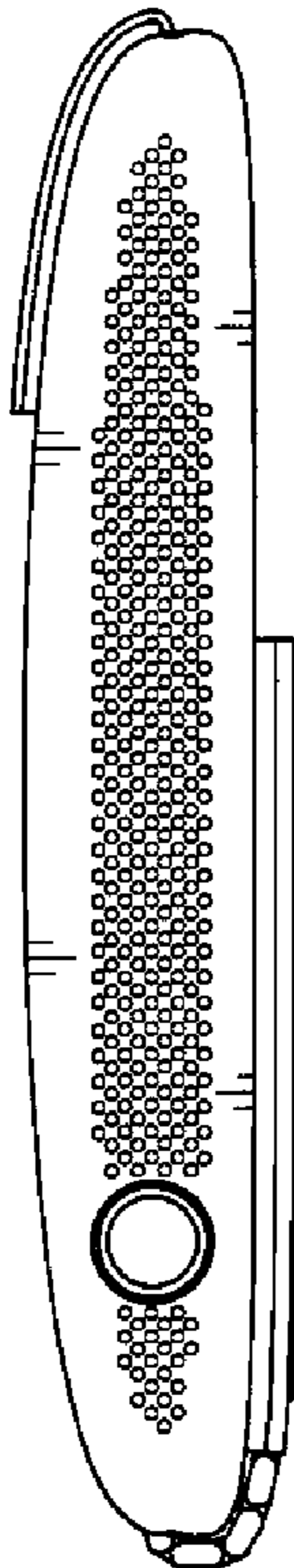


FIG. 6

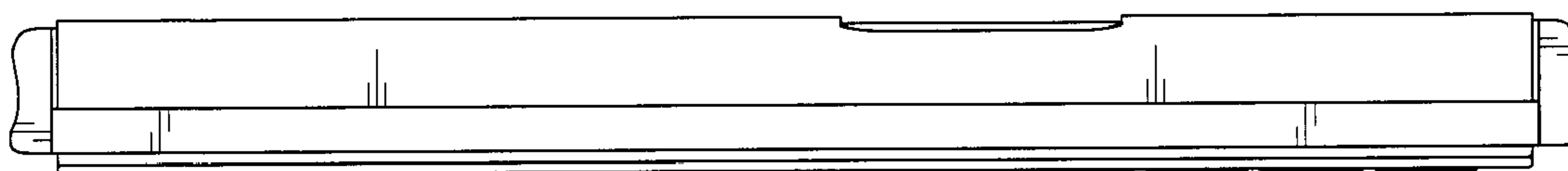


FIG. 7

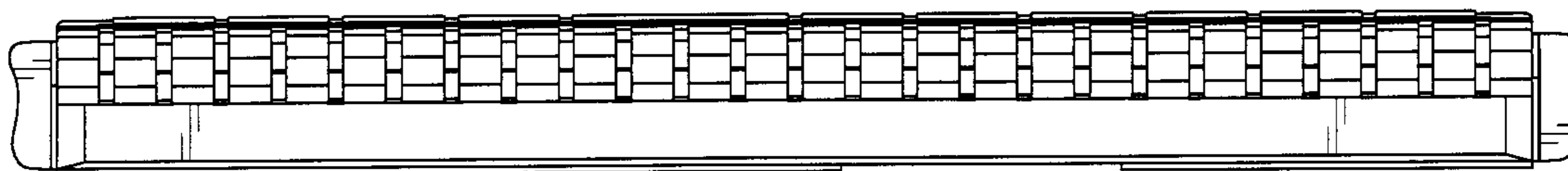


FIG. 8

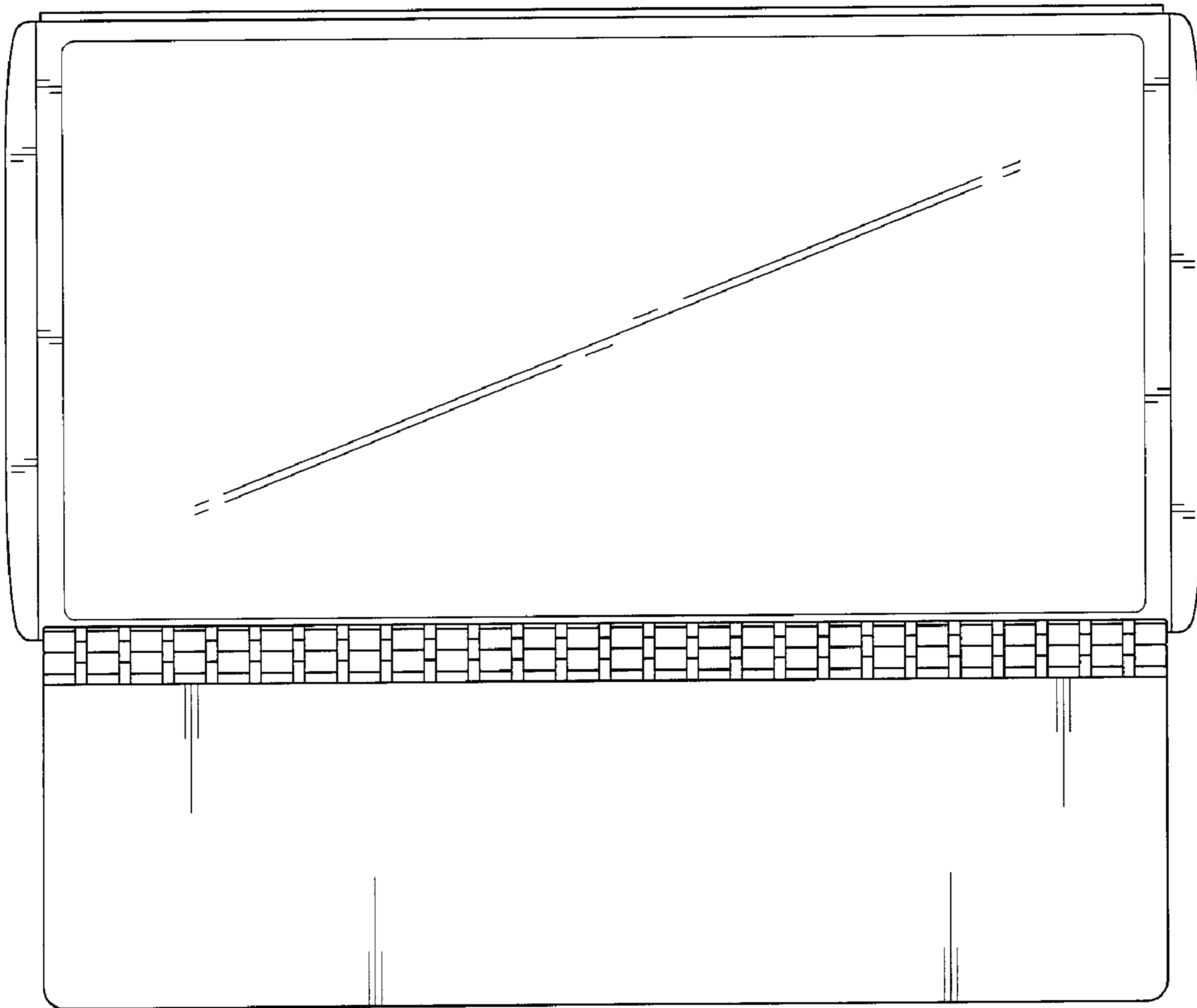


FIG. 9

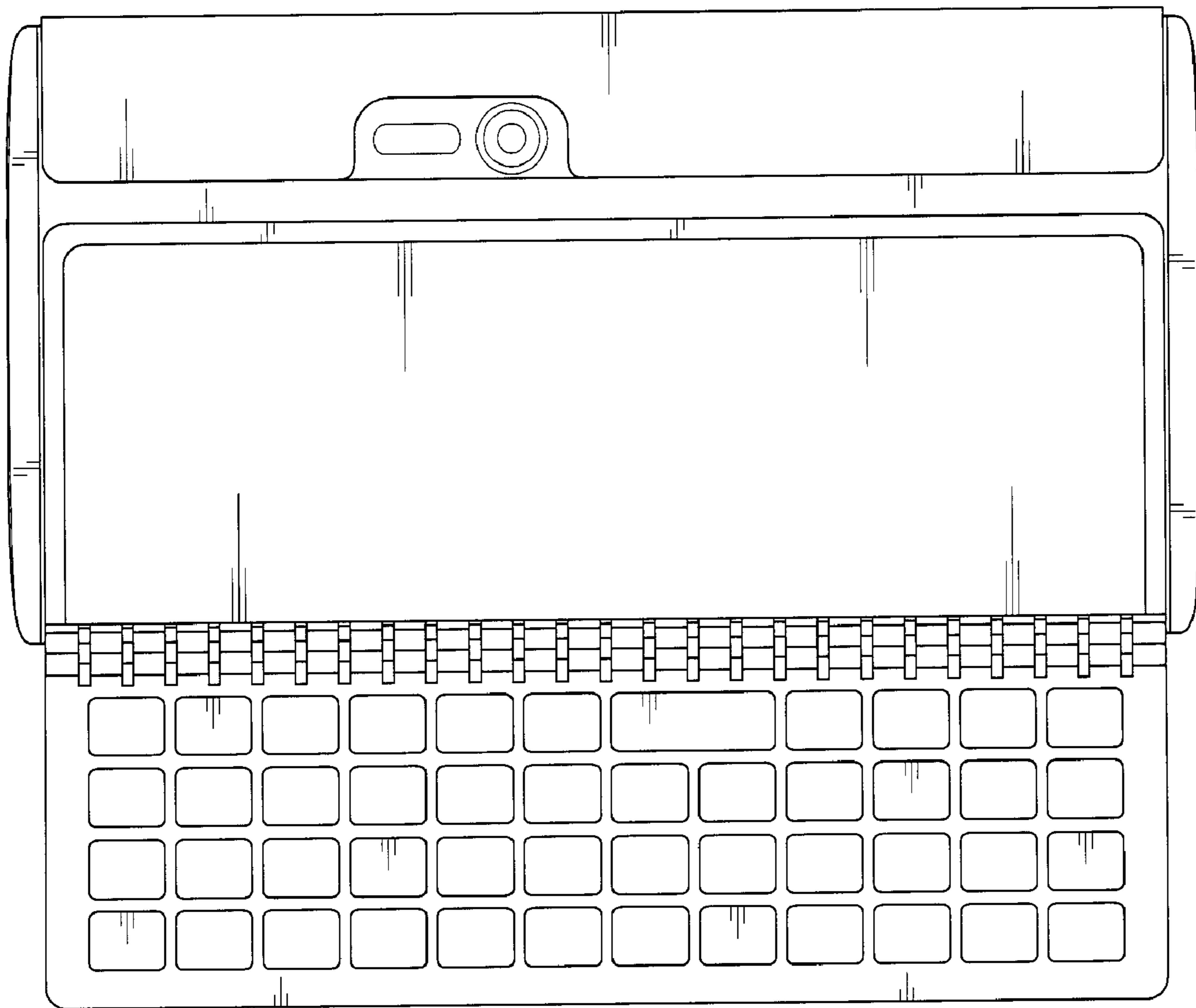


FIG. 10

