

US00D625278S

(12) **United States Design Patent**  
**Kim et al.**

(10) **Patent No.:** **US D625,278 S**  
(45) **Date of Patent:** **\*\* Oct. 12, 2010**

(54) **TELEVISION RECEIVER**

(75) Inventors: **Kyoung-Hoon Kim**, Kyunggi-do (KR);  
**Dae-Hun Jung**, Seoul (KR)

(73) Assignee: **Samsung Electronics Co., Ltd.**,  
Kyunggi-do (KR)

(\*\*) Term: **14 Years**

(21) Appl. No.: **29/349,406**

(22) Filed: **Mar. 31, 2010**

(51) **LOC (9) Cl.** ..... **14-03**

(52) **U.S. Cl.** ..... **D14/126**

(58) **Field of Classification Search** ..... D14/125-134,  
D14/239, 371, 136, 374-377, 440, 450, 448,  
D14/336, 342; 312/7.2; 348/836, 838, 180,  
348/184, 325, 739; 341/12; 248/917-924,  
248/465; 345/104, 133, 156, 168, 87, 173;  
720/605, 669, 600, 655; 369/99, 197; D21/329,  
D21/515, 577, 622, 333, 433, 448, 452, 450,  
D21/331; D6/477, 479, 300; 273/148 B;  
446/484, 175, 356; D10/15, 26

See application file for complete search history.

(56) **References Cited**

**U.S. PATENT DOCUMENTS**

D494,941 S	8/2004	Kim
D499,386 S	12/2004	Yang
D512,424 S	12/2005	Kim
D521,511 S	5/2006	Kim et al.
D521,996 S	5/2006	Kim et al.
D521,997 S	5/2006	Park et al.
D552,509 S	6/2006	Park et al.
D524,313 S	7/2006	Boo et al.
D527,003 S	8/2006	Kim et al.
D528,115 S	9/2006	Yoon
D528,116 S	9/2006	Won et al.
D529,910 S	10/2006	Ota
D532,764 S	11/2006	Kim et al.
D533,848 S	12/2006	Lee et al.
D534,510 S	1/2007	Kang et al.
D534,883 S	1/2007	Kang et al.

D535,267 S	1/2007	Kang et al.
D536,677 S	2/2007	Kim et al.
D537,079 S	2/2007	Park
D539,242 S	3/2007	Lee et al.
D539,281 S	3/2007	Kim et al.
D539,767 S	4/2007	Kang et al.
D540,277 S	4/2007	Kim et al.
D541,236 S	4/2007	Kim et al.
D541,763 S	5/2007	Kim
D542,746 S	5/2007	Kim
D542,747 S	5/2007	Kim et al.
D543,163 S	5/2007	Yang et al.
D543,164 S	5/2007	Yang et al.

(Continued)

**OTHER PUBLICATIONS**

U.S. Appl. No. 29/308,634, Applicant: Kyu-Mi Han, et al., filed Jun. 27, 2008 entitled Television Set.

(Continued)

*Primary Examiner*—Raphael Barkai  
(74) *Attorney, Agent, or Firm*—Flynn, Thiel, Boutell & Tanis, P.C.

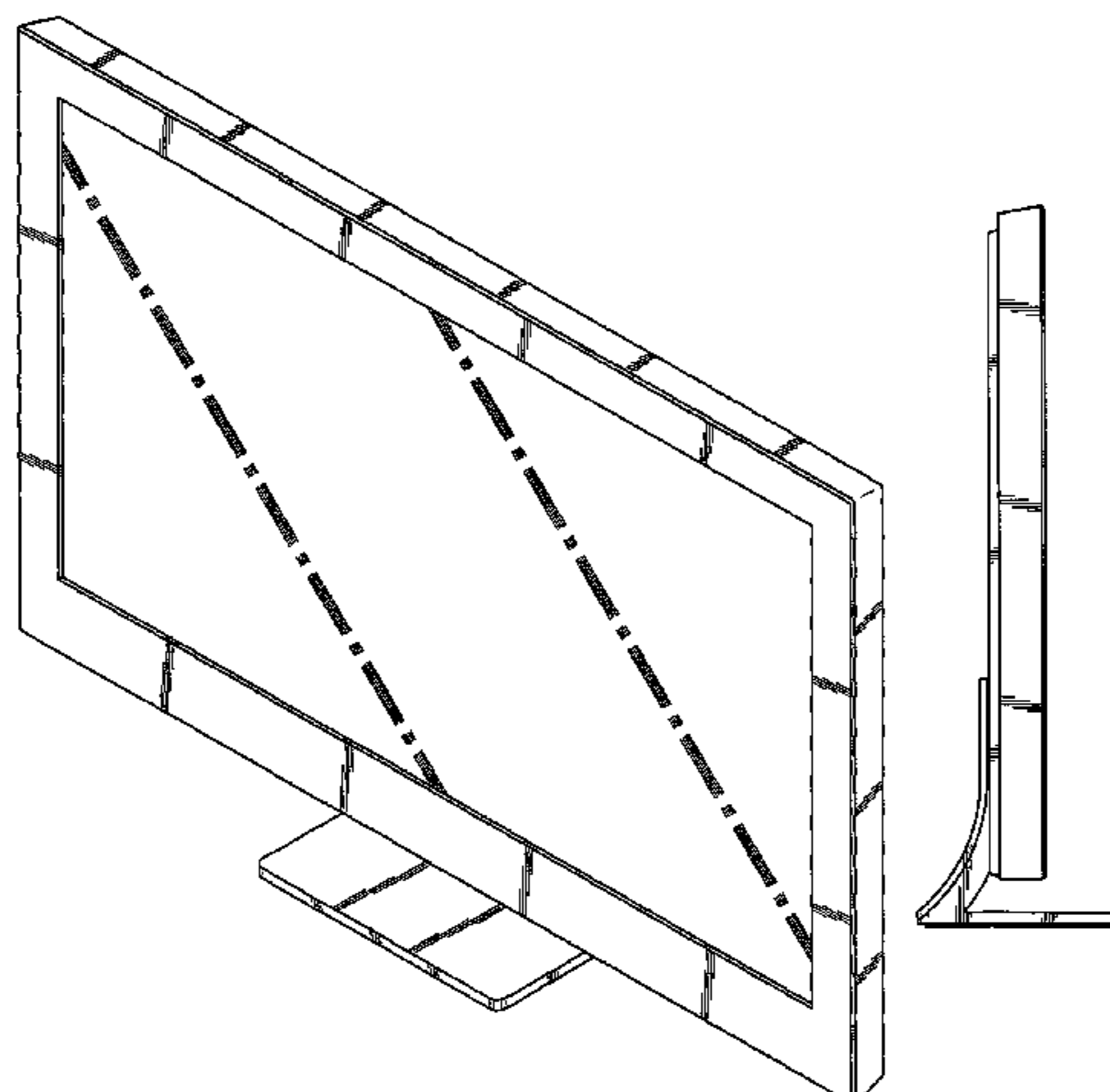
(57) **CLAIM**

The ornamental design for a television receiver, as shown and described.

**DESCRIPTION**

FIG. 1 is a top front perspective view of a television receiver showing our new design;  
FIG. 2 is a front elevational view thereof;  
FIG. 3 is a rear elevational view thereof;  
FIG. 4 is a left side elevational view thereof;  
FIG. 5 is a right side elevational view thereof;  
FIG. 6 is a top plan view thereof; and,  
FIG. 7 is a bottom plan view thereof.

**1 Claim, 5 Drawing Sheets**



# US D625,278 S

Page 2

## U.S. PATENT DOCUMENTS

D544,849 S 6/2007 Yang et al.  
D545,312 S 6/2007 Kim  
D545,313 S 6/2007 Kim  
D545,314 S 6/2007 Kim  
D545,315 S \* 6/2007 Kim ..... D14/375  
D545,316 S 6/2007 Kim  
D545,776 S 7/2007 Kwon  
D545,820 S 7/2007 Won et al.  
D546,331 S 7/2007 Kim  
D547,276 S 7/2007 Yang et al.  
D547,313 S 7/2007 Kim  
D548,205 S 8/2007 Kim et al.  
D548,206 S 8/2007 Han  
D548,708 S \* 8/2007 Park et al. .... D14/126  
D551,186 S 9/2007 Yang et al.  
D551,194 S 9/2007 Kim et al.  
D551,636 S 9/2007 Kang et al.  
D553,108 S 10/2007 Won et al.  
D554,601 S 11/2007 Won et al.  
D556,159 S 11/2007 Park et al.  
D556,160 S 11/2007 Lee et al.  
D556,709 S 12/2007 Kim et al.  
D556,755 S 12/2007 Lee et al.  
D556,756 S 12/2007 Kataoka et al.  
D556,757 S 12/2007 Kim et al.  
D558,201 S 12/2007 Park et al.  
D558,696 S 1/2008 Park et al.  
D561,130 S 2/2008 Won et al.  
D561,134 S 2/2008 Kim et al.  
D561,135 S 2/2008 Won et al.  
D561,136 S 2/2008 Won et al.  
D564,472 S 3/2008 Won et al.  
D565,521 S 4/2008 Yang et al.  
D567,198 S 4/2008 Yang et al.  
D567,199 S 4/2008 Kim et al.  
D569,818 S 5/2008 Kim et al.  
D570,806 S \* 6/2008 Lee ..... D14/126  
D570,841 S \* 6/2008 Kim et al. .... D14/375  
D572,680 S 7/2008 Lee et al.  
D572,682 S 7/2008 Won et al.  
D573,118 S 7/2008 Yang et al.  
D573,559 S 7/2008 Kim et al.  
D575,247 S 8/2008 Lee  
D576,622 S 9/2008 Park  
D579,889 S 11/2008 Noh  
D582,365 S 12/2008 Yang et al.  
D582,366 S 12/2008 Yang et al.

D582,867 S 12/2008 Song et al.  
D584,258 S 1/2009 Yang et al.  
D584,309 S 1/2009 Kim et al.  
D584,310 S 1/2009 Kim et al.  
D584,729 S 1/2009 Kim et al.  
D586,811 S 2/2009 Kim et al.  
D587,712 S 3/2009 Park et al.  
D592,621 S \* 5/2009 Han ..... D14/126  
D593,974 S 6/2009 Yang et al.  
D597,041 S 7/2009 Cho et al.  
D597,977 S 8/2009 Won et al.  
D597,978 S 8/2009 Won et al.  
D601,104 S \* 9/2009 Kim ..... D14/126  
D608,311 S 1/2010 Lee et al.  
D609,658 S \* 2/2010 Kim et al. .... D14/126  
D610,143 S 2/2010 Park et al.  
D610,560 S \* 2/2010 Chen ..... D14/126  
D612,820 S \* 3/2010 Jeong et al. .... D14/126  
D614,595 S \* 4/2010 Kubota ..... D14/126  
D614,596 S 4/2010 Won et al.

## OTHER PUBLICATIONS

U.S. Appl. No. 29/316,364, Applicant: Jae-Seung Song, et al., filed Sep. 17, 2009 entitled LCD Television Set.  
U.S. Appl. No. 29/316,365, Applicant: Jae-Seung Song, et al., filed Sep. 17, 2009 entitled LCD Television Set.  
U.S. Appl. No. 29/316,366, Applicant: Dong-Hee Won, et al., filed Sep. 17, 2009 entitled LED Television Set.  
U.S. Appl. No. 29/316,367, Applicant: Young-Sun Shin, et al., filed Sep. 17, 2009 entitled LCD Television Set.  
U.S. Appl. No. 29/308,894, Applicant: Eui-Seok Kim, et al., filed Jul. 14, 2008 entitled LCD Monitor.  
U.S. Appl. No. 29/348,342, Applicant: Jung-Hyun Lee, et al., filed Dec. 22, 2009 entitled LED Television Set.  
U.S. Appl. No. 29/348,517, Applicant: Young-Joo Lee, et al., filed Feb. 10, 2010 entitled LCD Monitor.  
U.S. Appl. No. 29/349,396, Applicant: Young-Jin Seo, et al., filed Mar. 31, 2010 entitled LED Monitor.  
U.S. Appl. No. 29/349,398, Applicant: Ok-Keun Lee, et al., filed Mar. 31, 2010 entitled LED Monitor.  
U.S. Appl. No. 29/349,399, Applicant: Sang-Il Park, filed Mar. 31, 2010 entitled LCD Monitor.  
U.S. Appl. No. 29/349,400, Applicant: Sang-Il Park, filed Mar. 31, 2010 entitled LCD Monitor.  
U.S. Appl. No. 29/349,409, Applicant: Kyoung-Hoon Kim, et al., filed Mar. 31, 2010 entitled Television Receiver.

\* cited by examiner

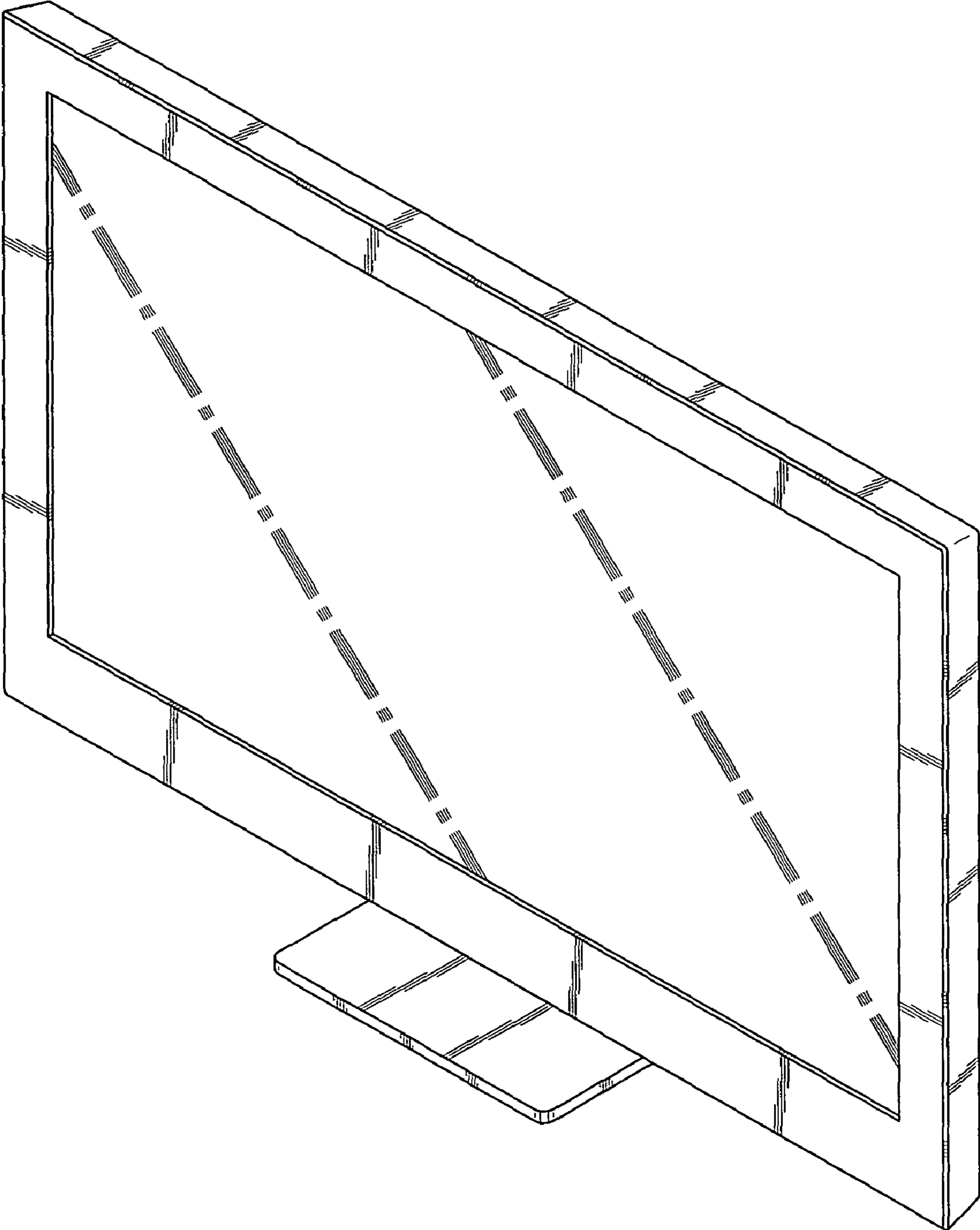


FIG. 1



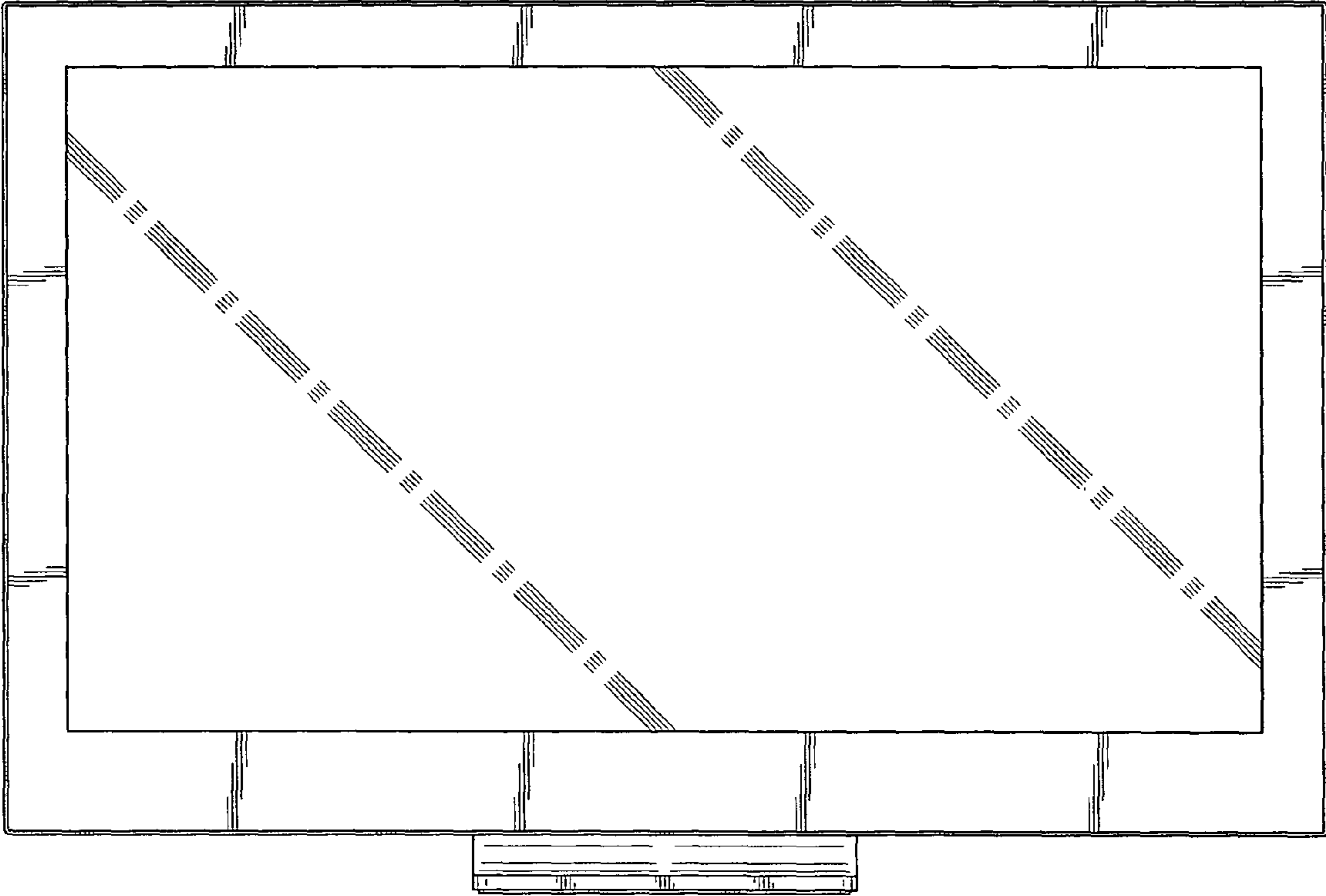


FIG. 2

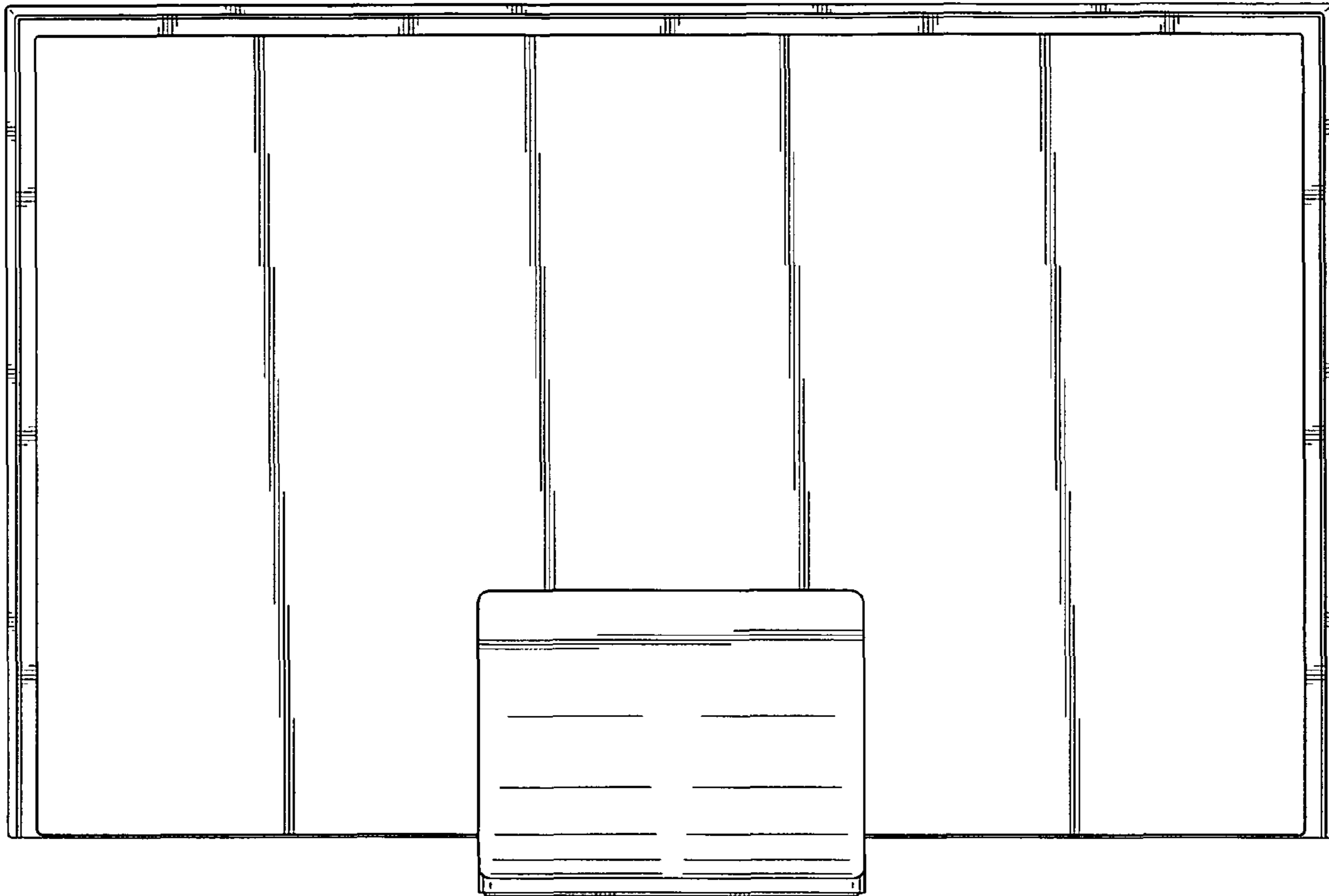


FIG. 3

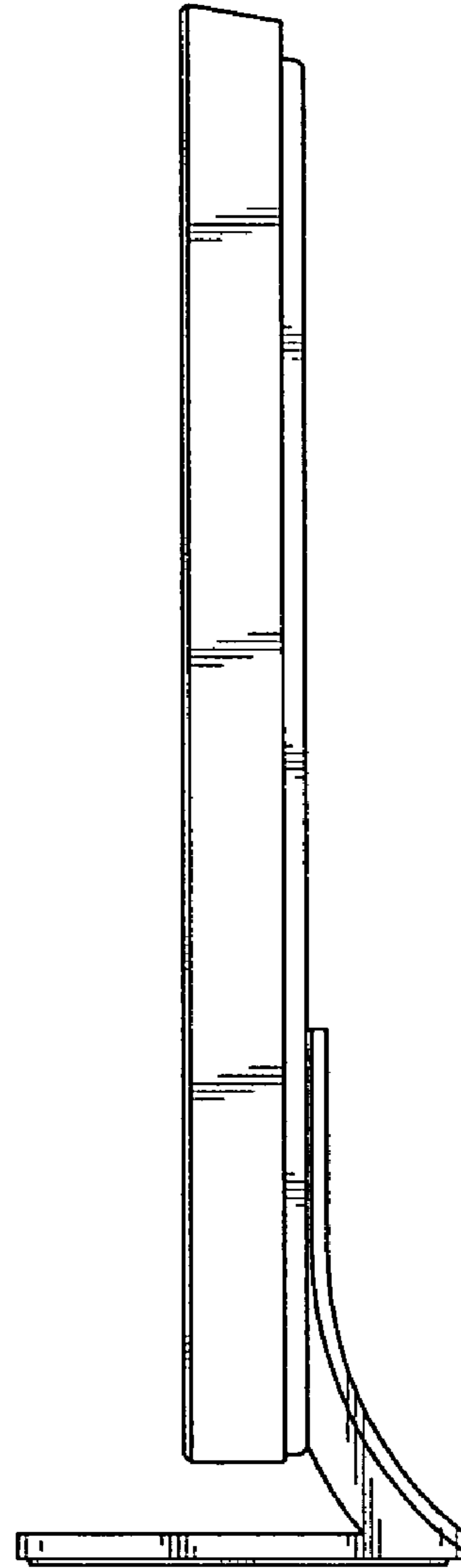
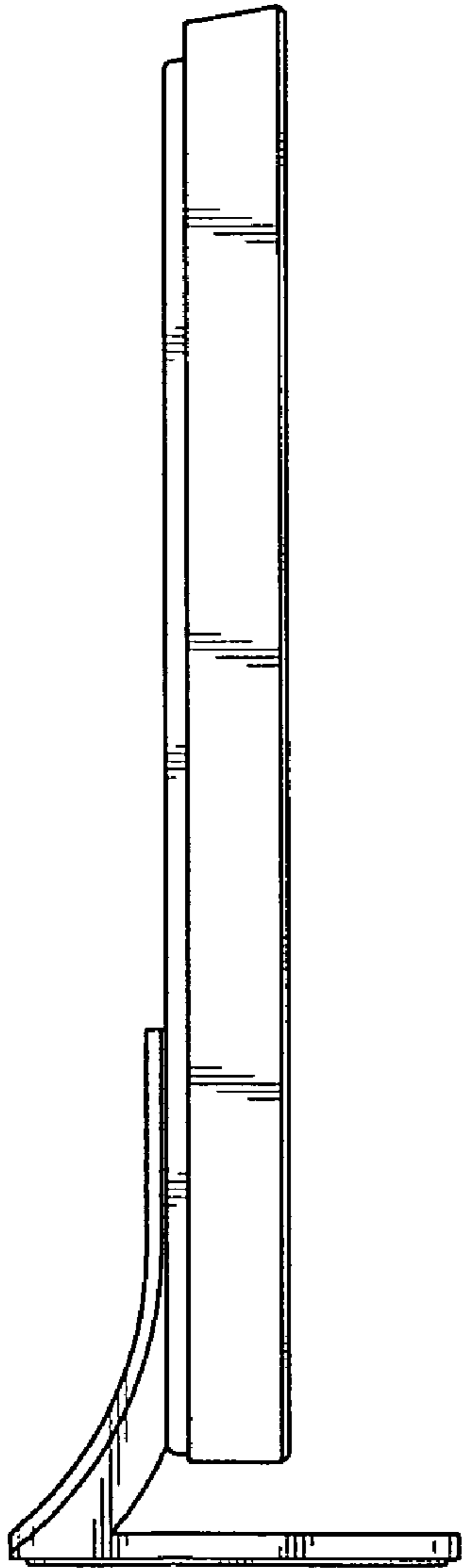


FIG. 4

FIG. 5

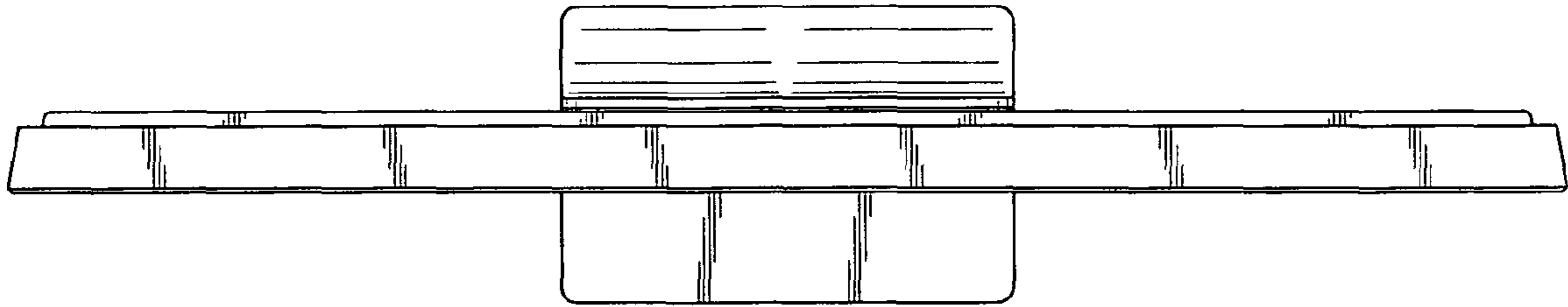


FIG. 6

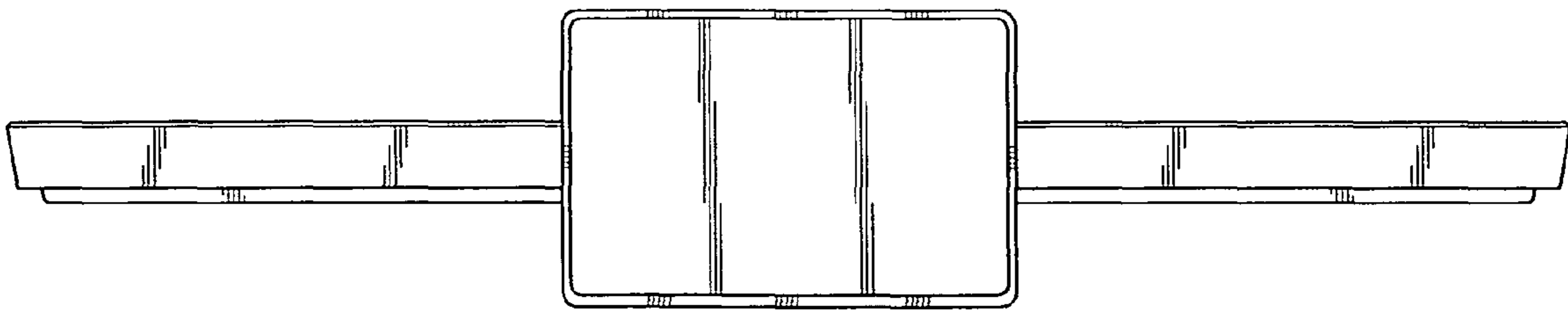


FIG. 7