



US00D625272S

(12) **United States Design Patent**  
**Kinoshita**

(10) **Patent No.:** **US D625,272 S**  
(45) **Date of Patent:** **\*\* Oct. 12, 2010**

- (54) **PHOTO INTERRUPTER**
- (75) Inventor: **Jo Kinoshita**, Fujiyoshida (JP)
- (73) Assignee: **Citizen Electronics Co., Ltd.**,  
Yamanashi (JP)
- (\*\*) Term: **14 Years**
- (21) Appl. No.: **29/356,304**
- (22) Filed: **Feb. 23, 2010**

D542,232 S	5/2007	Suzuki	
7,453,079 B2	11/2008	Sano	
7,459,711 B2	12/2008	Suzuki	
D614,586 S *	4/2010	Kinoshita	..... D13/165
2005/0056796 A1	3/2005	Takeuchi	
2007/0018123 A1	1/2007	Sano	
2010/0032592 A1 *	2/2010	Kinoshita	..... 250/551

\* cited by examiner

*Primary Examiner*—Selina Sikder  
(74) *Attorney, Agent, or Firm*—Browdy and Neimark, PLLC

**Related U.S. Application Data**

- (62) Division of application No. 29/329,818, filed on Dec. 22, 2008, now Pat. No. Des. 614,586.

**Foreign Application Priority Data**

- (30) Jun. 20, 2008 (JP) ..... 2008-015909
- Jun. 20, 2008 (JP) ..... 2008-015910

- (51) **LOC (9) Cl.** ..... **13-03**
- (52) **U.S. Cl.** ..... **D13/165**
- (58) **Field of Classification Search** ..... D13/165,  
D13/182; 250/551; 257/80, 82  
See application file for complete search history.

**References Cited**

**U.S. PATENT DOCUMENTS**

4,933,729 A	6/1990	Soejima et al.	
5,214,495 A	5/1993	Kitanishi	
5,291,038 A	3/1994	Hanamoto et al.	
5,436,472 A	7/1995	Ogawa	
5,672,884 A	9/1997	Muhleck et al.	
6,399,943 B1 *	6/2002	Sano	..... 250/239
6,927,486 B2 *	8/2005	Sano et al.	..... 257/690
D531,583 S	11/2006	Suzuki	
D533,141 S	12/2006	Suzuki	

(57) **CLAIM**

The ornamental design for a photo interrupter, as shown and described here.

**DESCRIPTION**

FIG. 1 is a perspective view of the photo interrupter in accordance with my new design, showing an upper surface and side surfaces thereof as viewed from diagonally above;

FIG. 2 is a perspective view thereof, showing a bottom surface and side surfaces as viewed from diagonally above;

FIG. 3 is a front elevation view thereof;

FIG. 4 is a rear elevation view thereof;

FIG. 5 is a top plan view thereof;

FIG. 6 is a bottom plan view thereof; and,

FIG. 7 is a left side view thereof, the right side being a mirror image.

The article is a photo interrupter having a light-emitting element and a light-receiving element facing each other; the light-receiving element detects an object blocking light from the light-emitting element, and thus determines a presence and position of the object.

**1 Claim, 7 Drawing Sheets**

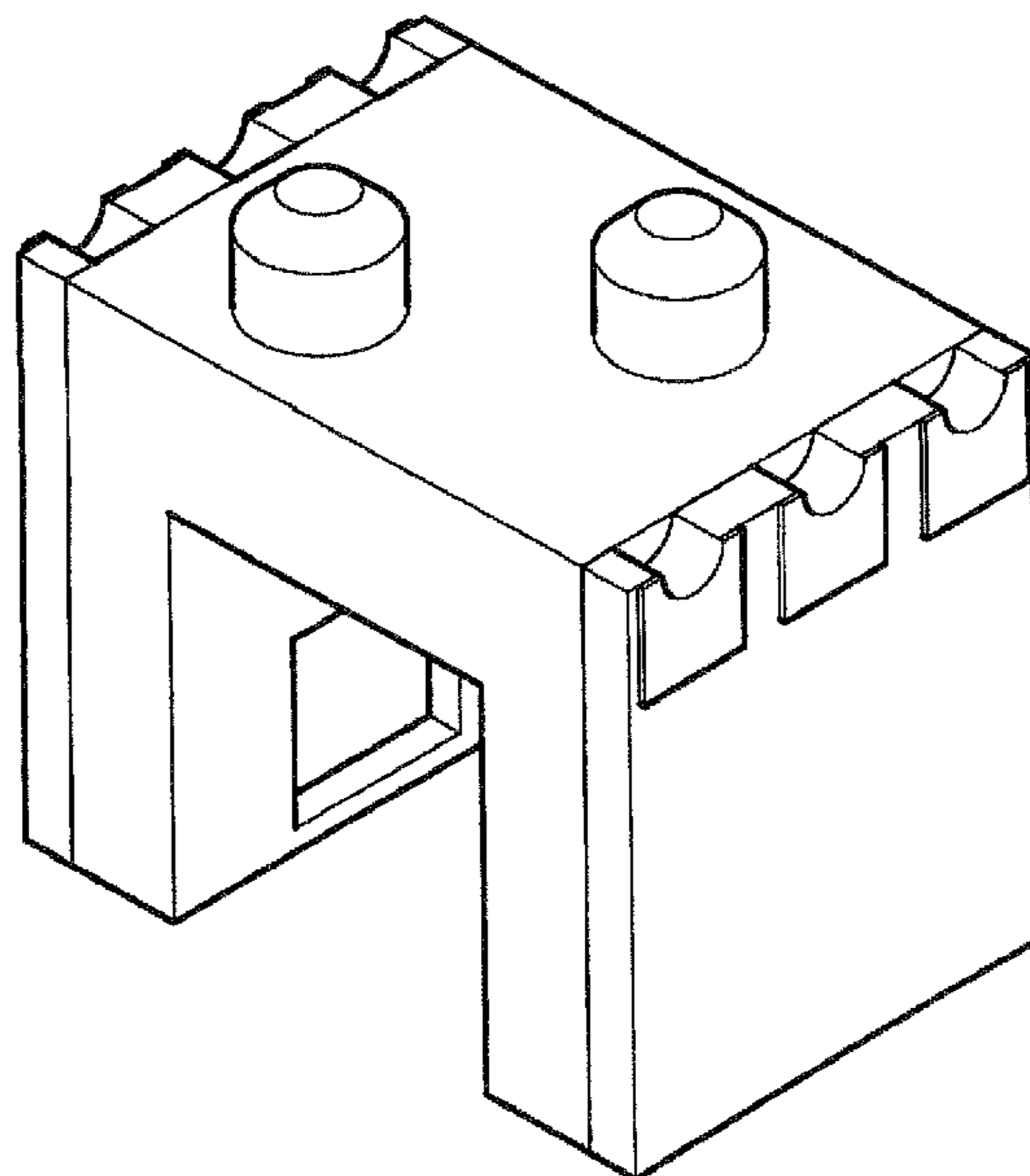


Fig. 1

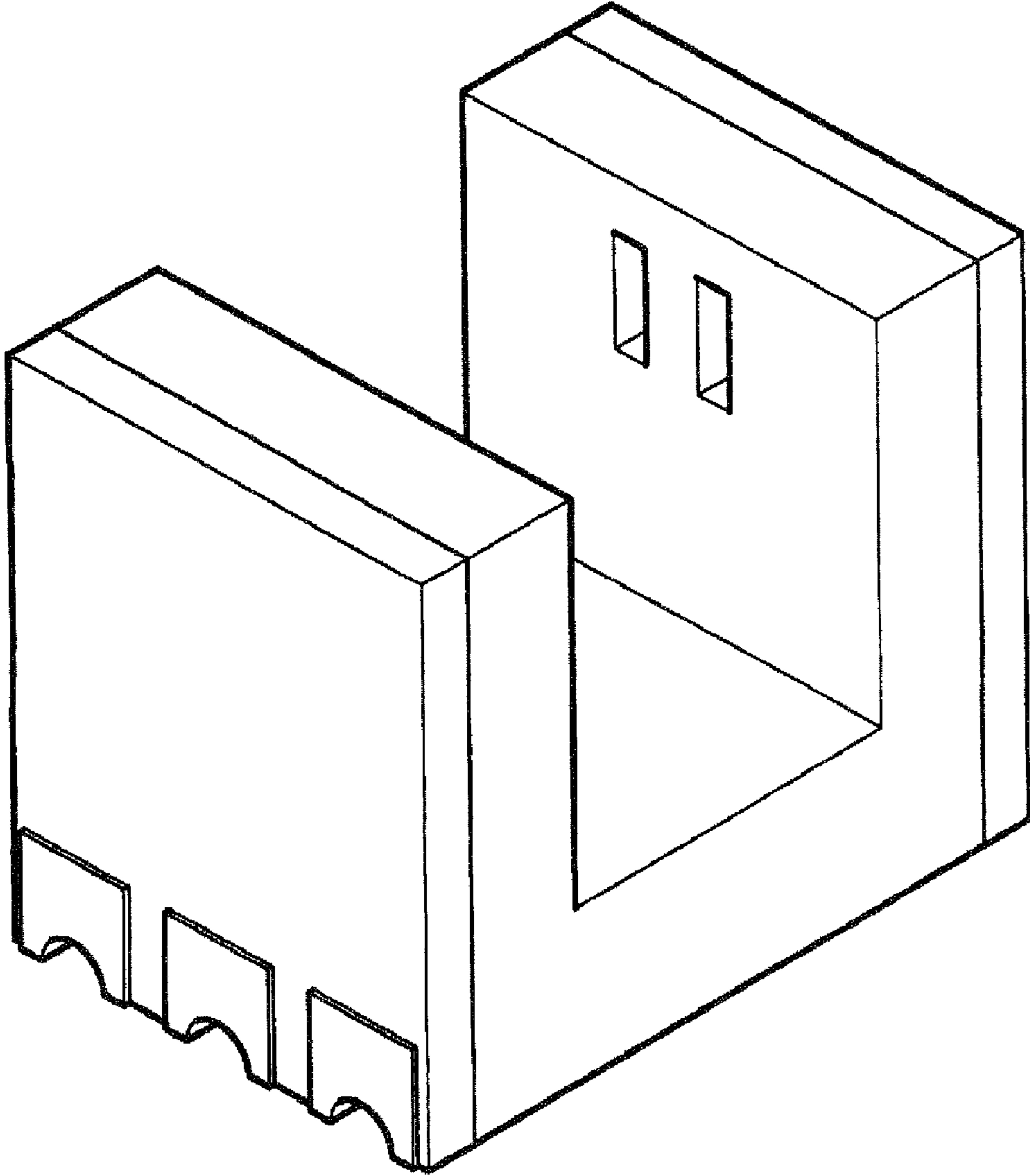


Fig. 2

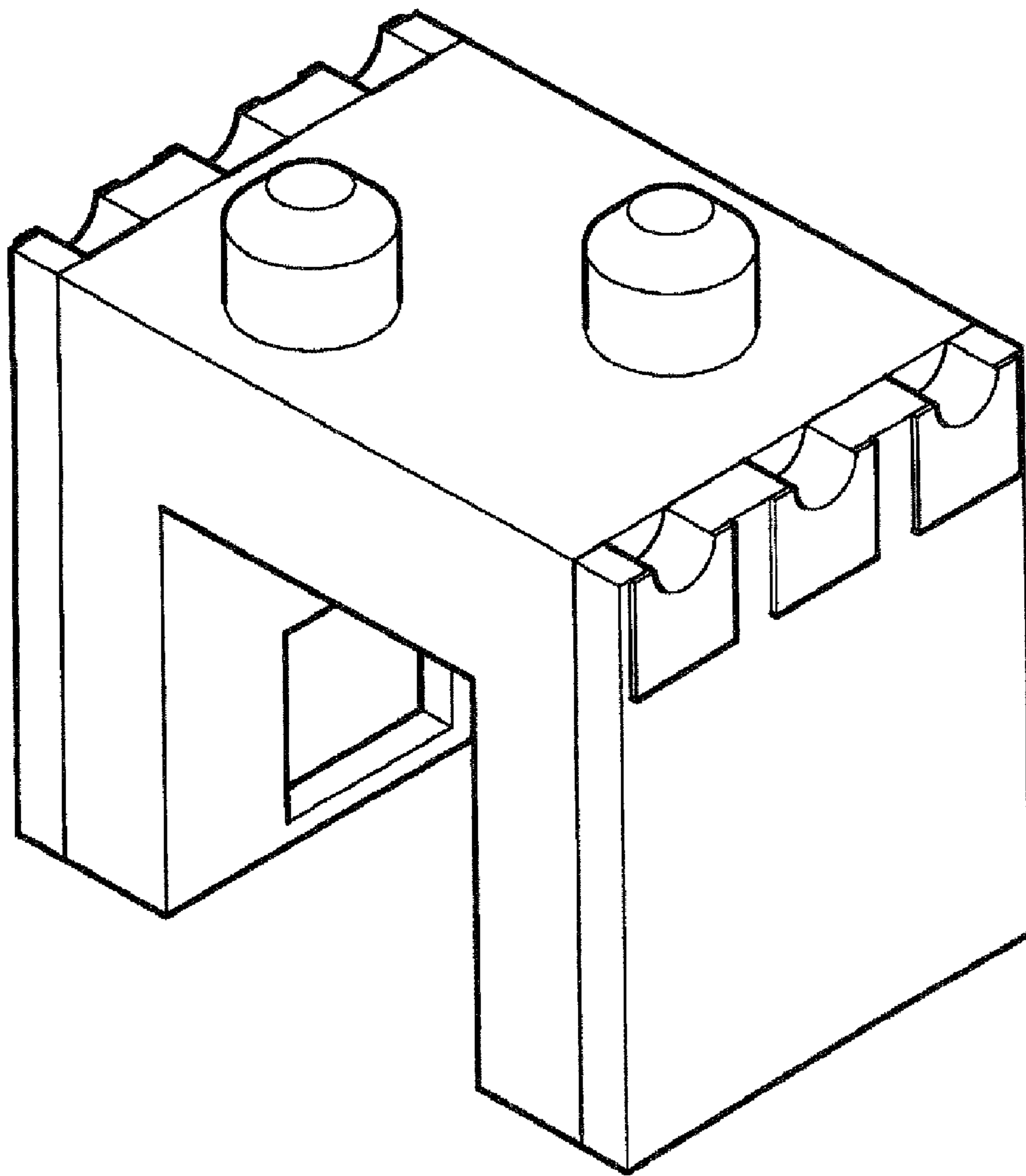


Fig. 3

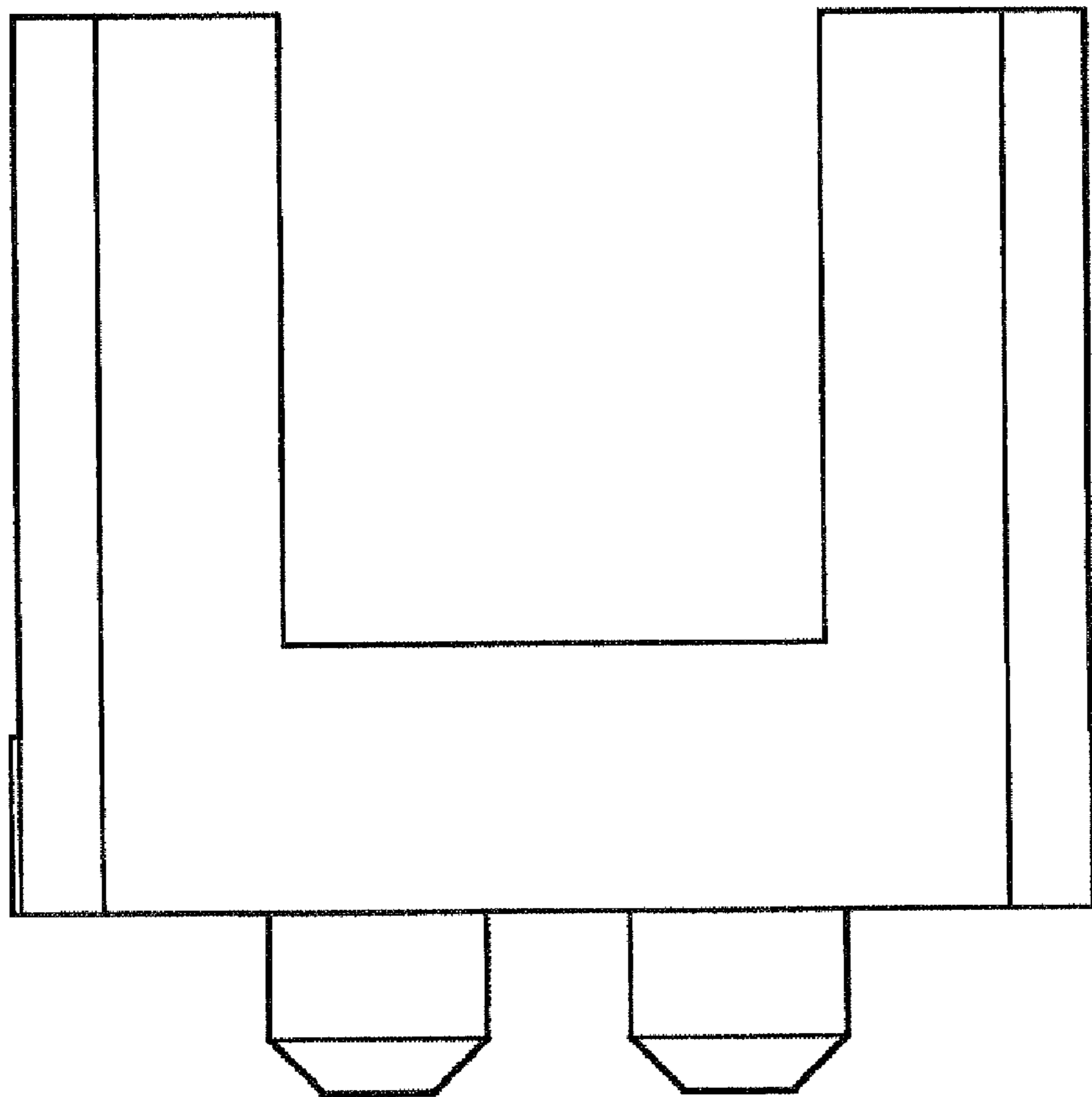
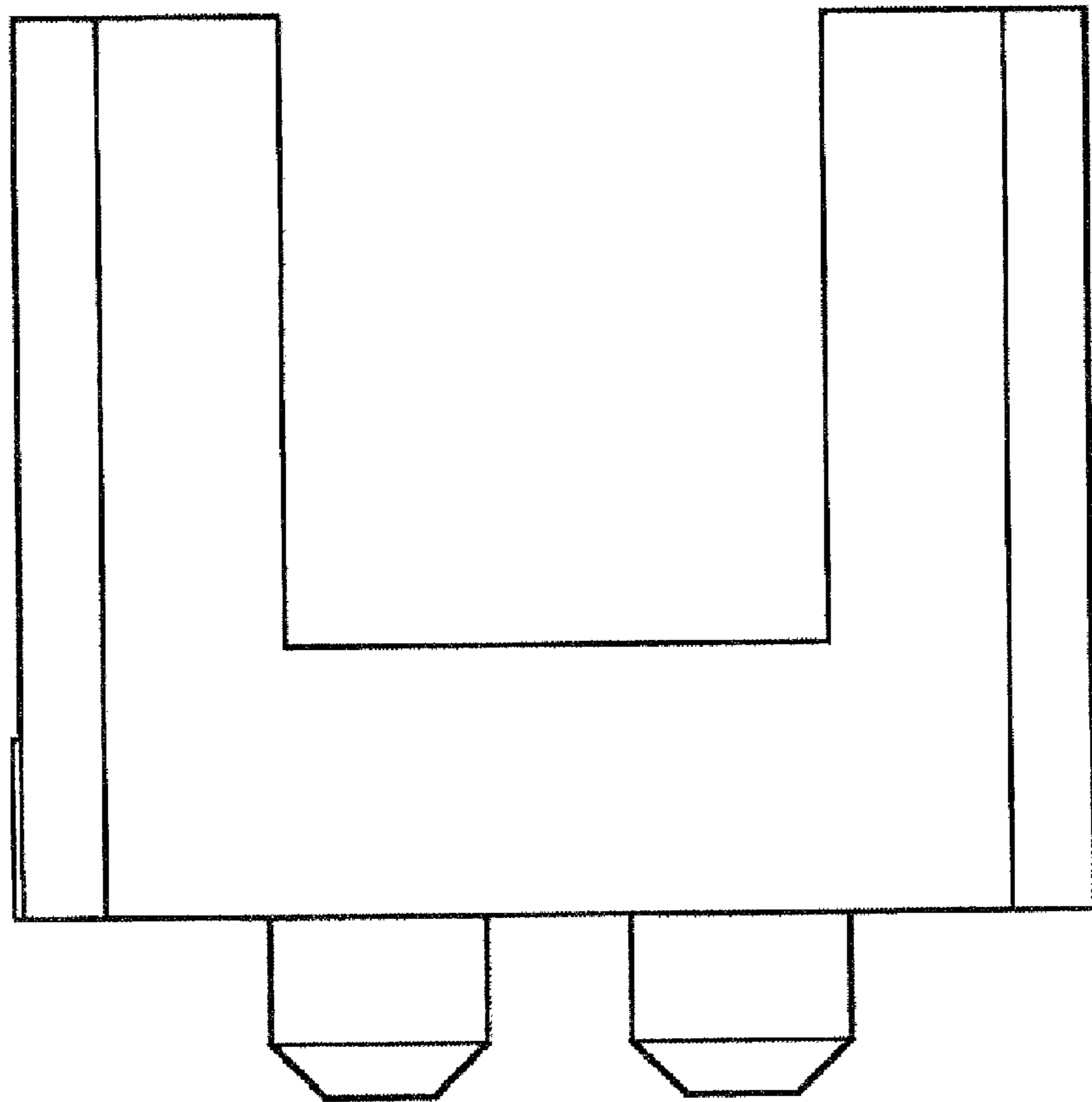


Fig. 4



# Fig. 5

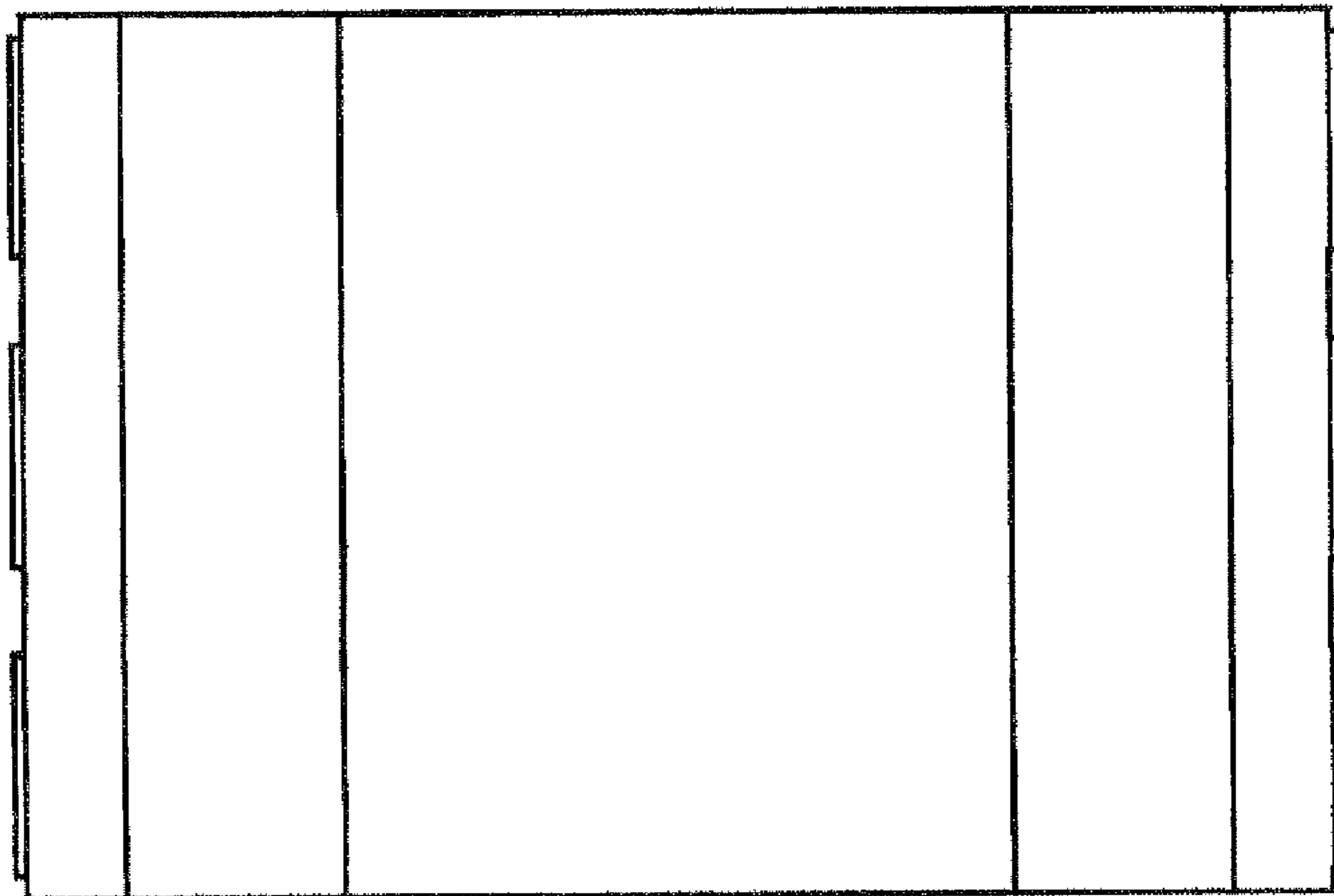


Fig. 6

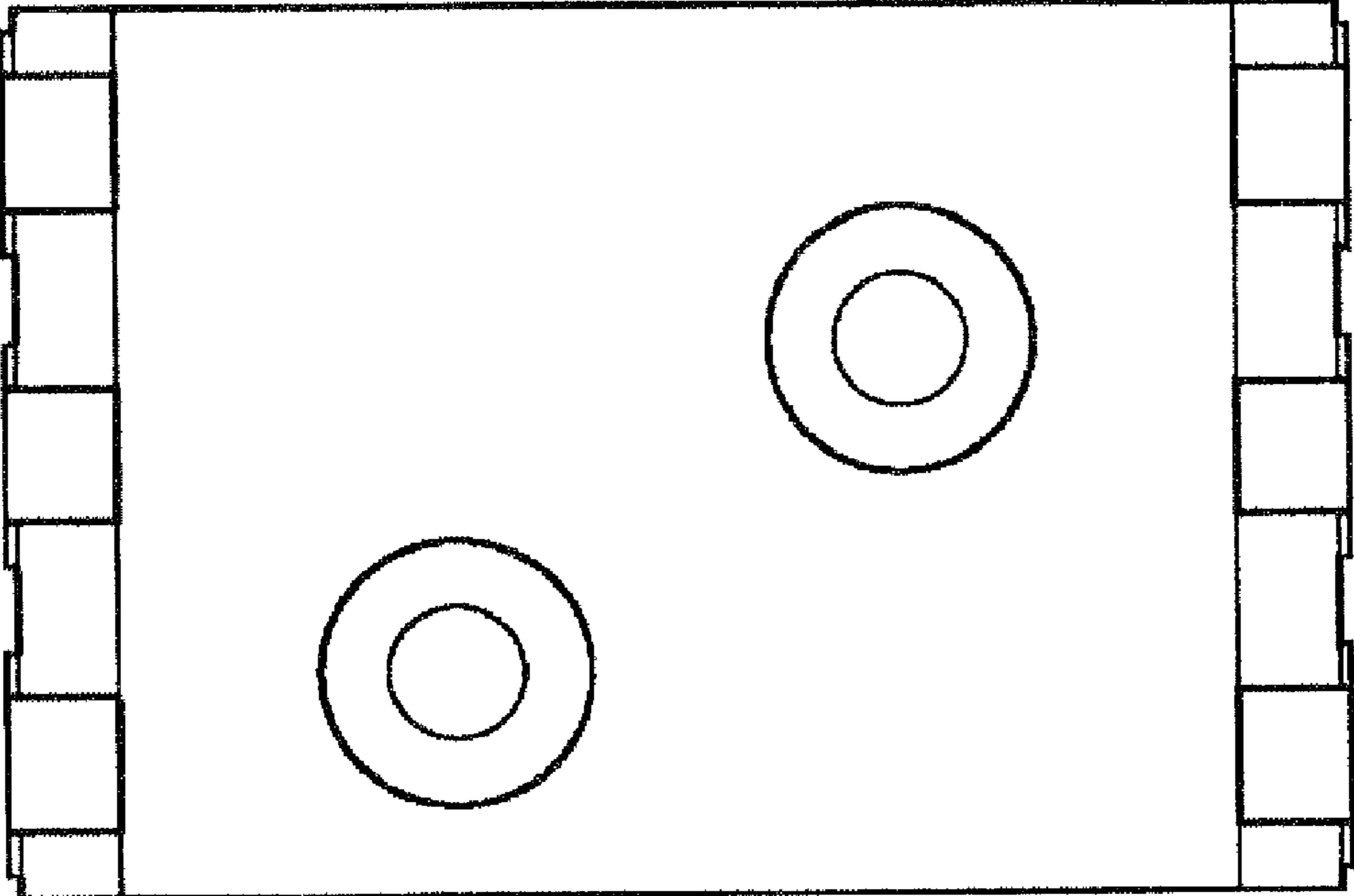


Fig. 7

