



US00D625270S

(12) **United States Design Patent**
Schafmeister

(10) **Patent No.:** **US D625,270 S**
(45) **Date of Patent:** **** Oct. 12, 2010**

(54) **LEVER OPERATED TERMINAL BLOCK**

(75) Inventor: **Arndt Schafmeister**, Lemgo (DE)

(73) Assignee: **Phoenix Contact GmbH & Co. KG**,
Blomberg (DE)

(**) Term: **14 Years**

(21) Appl. No.: **29/335,726**

(22) Filed: **Apr. 21, 2009**

(30) **Foreign Application Priority Data**

Oct. 21, 2008 (EM) 001024517-0002

(51) **LOC (9) Cl.** **13-03**

(52) **U.S. Cl.** **D13/147**

(58) **Field of Classification Search** D13/146,
D13/147, 154, 184; 439/409, 607-610, 715-717;
361/823

See application file for complete search history.

(56) **References Cited**

U.S. PATENT DOCUMENTS

5,726,619 A * 3/1998 Hohorst et al. 336/192
6,146,181 A * 11/2000 Plaza 439/357
D473,519 S * 4/2003 Borst D13/147
D475,973 S * 6/2003 Xu et al. D13/147

D593,951 S * 6/2009 Yoon D13/147
D594,419 S * 6/2009 Yoon D13/147
D598,858 S * 8/2009 Stromiedel et al. D13/133
2009/0157937 A1 * 6/2009 Kuschke et al. 710/305

* cited by examiner

Primary Examiner—Daniel D Bui

(74) *Attorney, Agent, or Firm*—Leydig, Voit & Mayer, Ltd.

(57) **CLAIM**

The ornamental design for a lever operated terminal block, as shown and described.

DESCRIPTION

FIG. 1 is a front, left, top-side perspective view of a lever operated terminal block showing my new design;

FIG. 2 is a top view thereof;

FIG. 3 is a front view thereof;

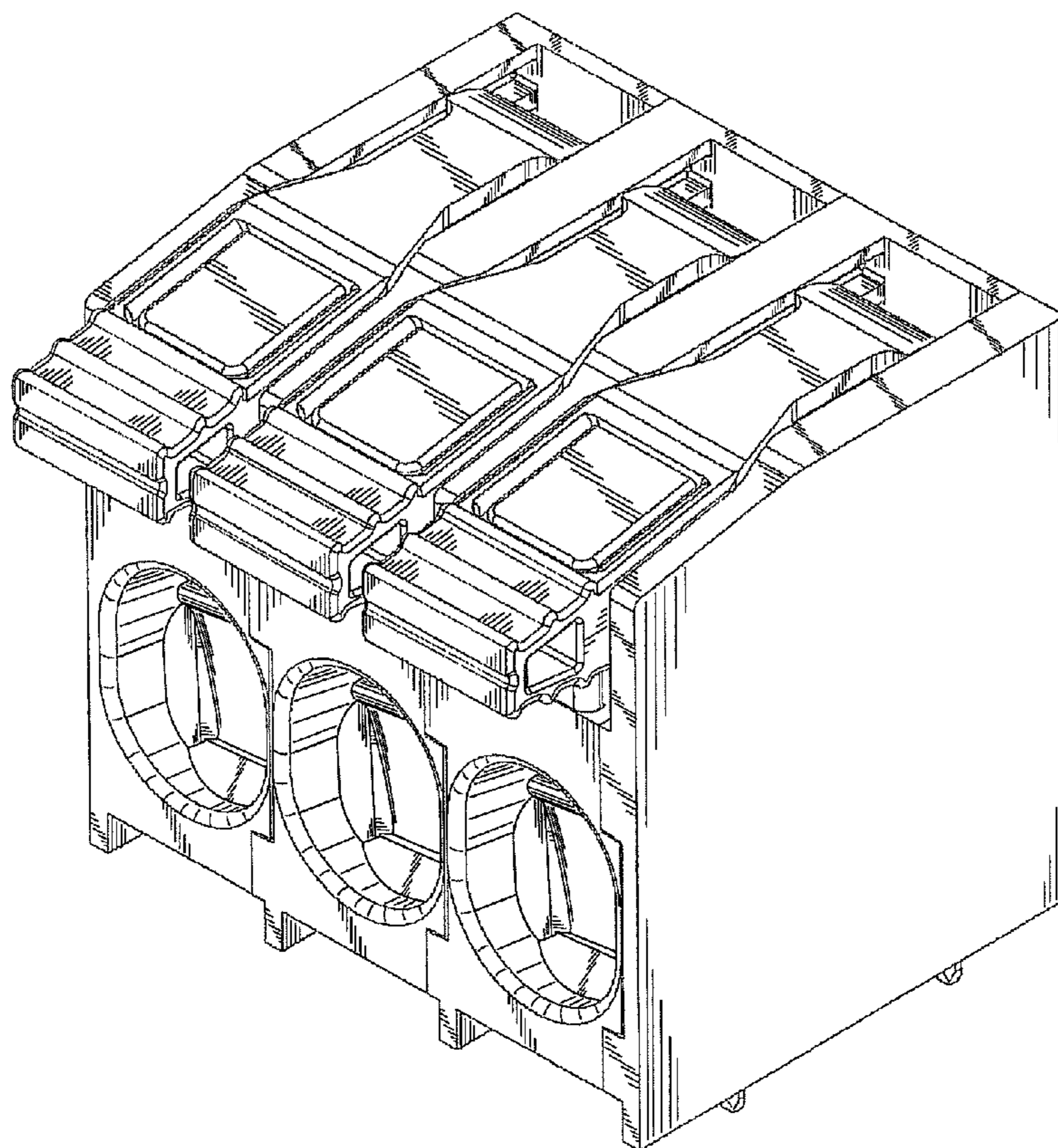
FIG. 4 is a left side view thereof, the right side view being a mirror image;

FIG. 5 is a bottom view thereof; and,

FIG. 6 is a rear view thereof.

The broken line portion in the drawing views is included to show unclaimed subject matter only and forms no part of the claimed design.

1 Claim, 4 Drawing Sheets



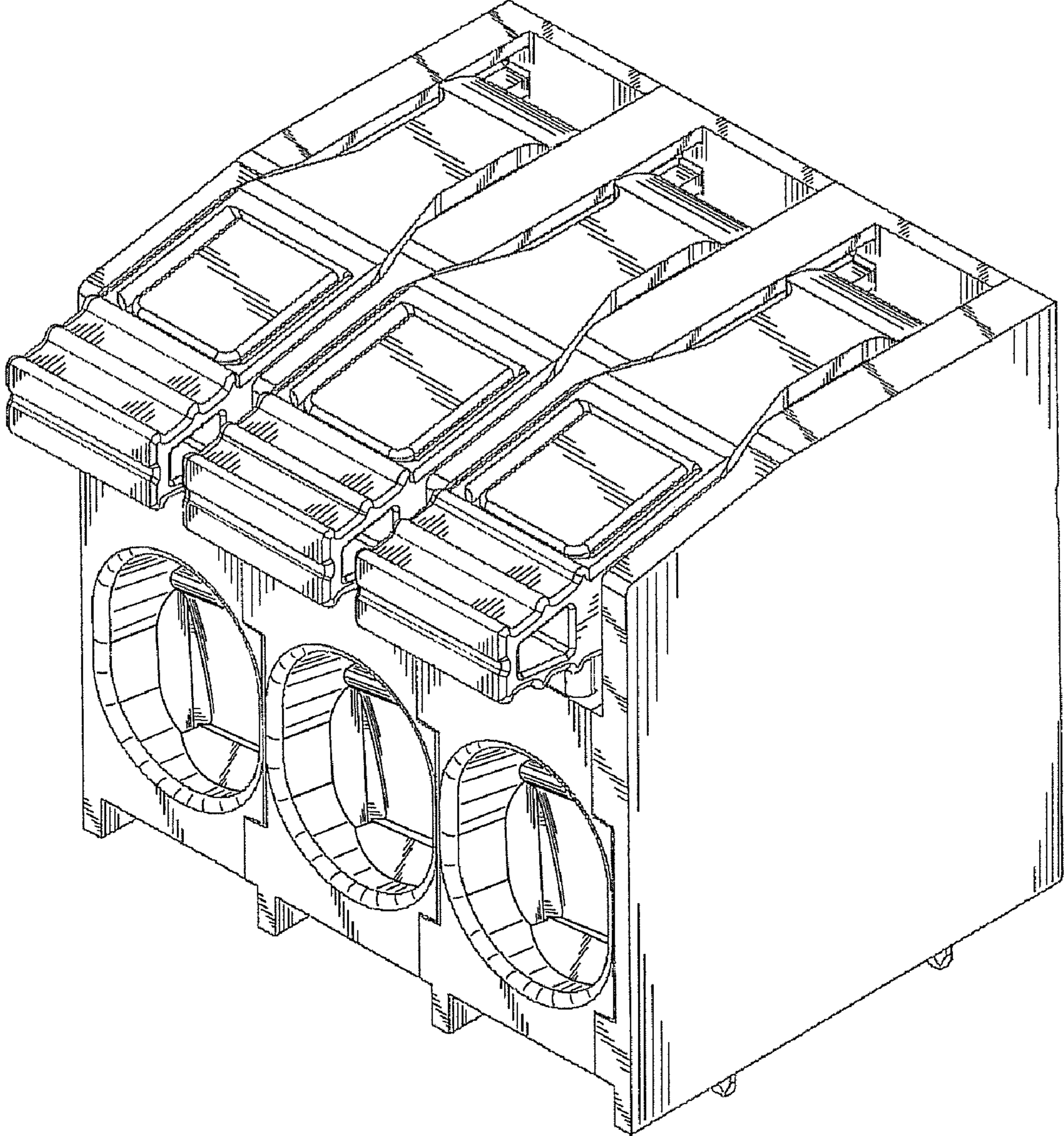


Fig. 1

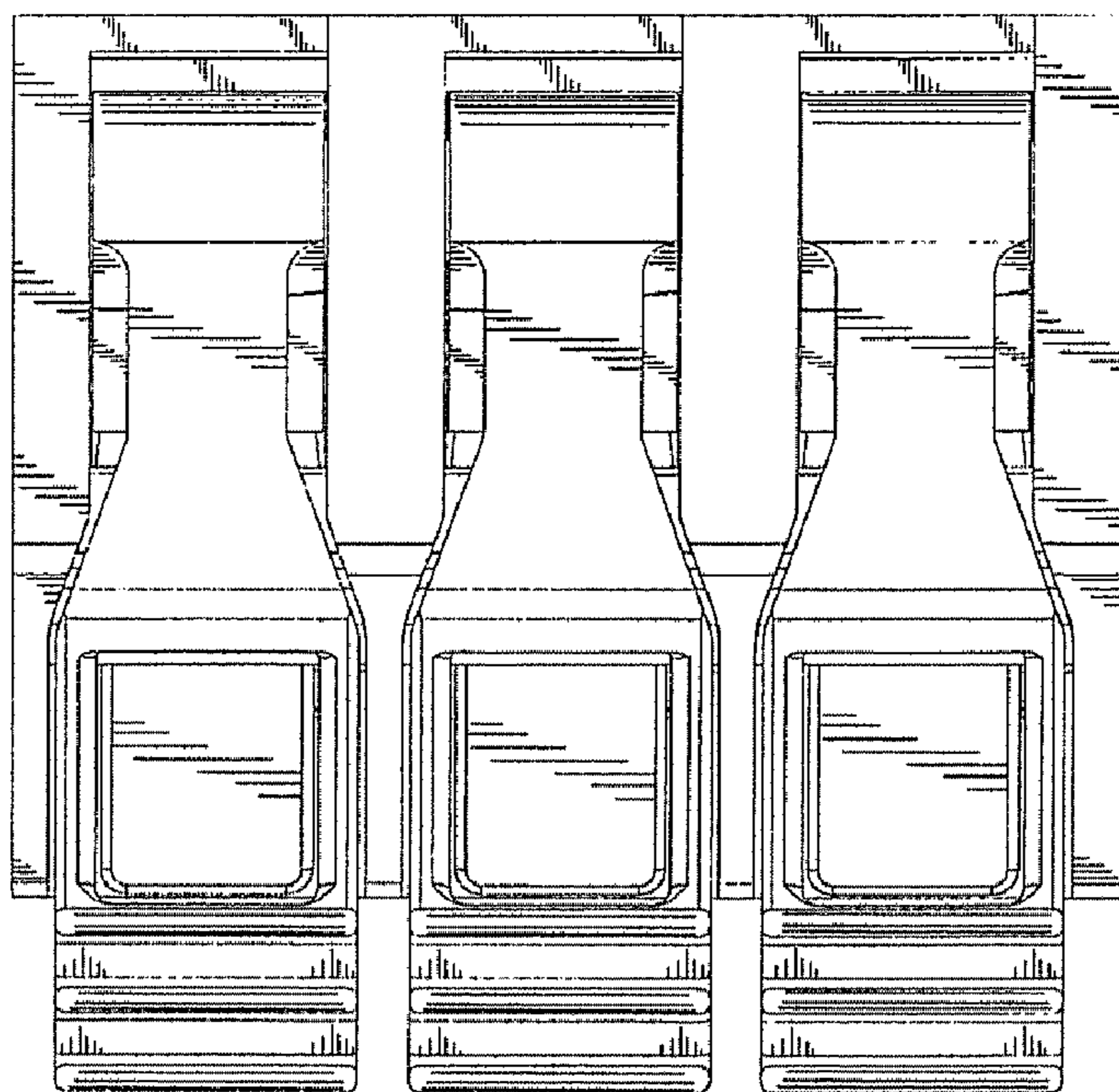


Fig. 2

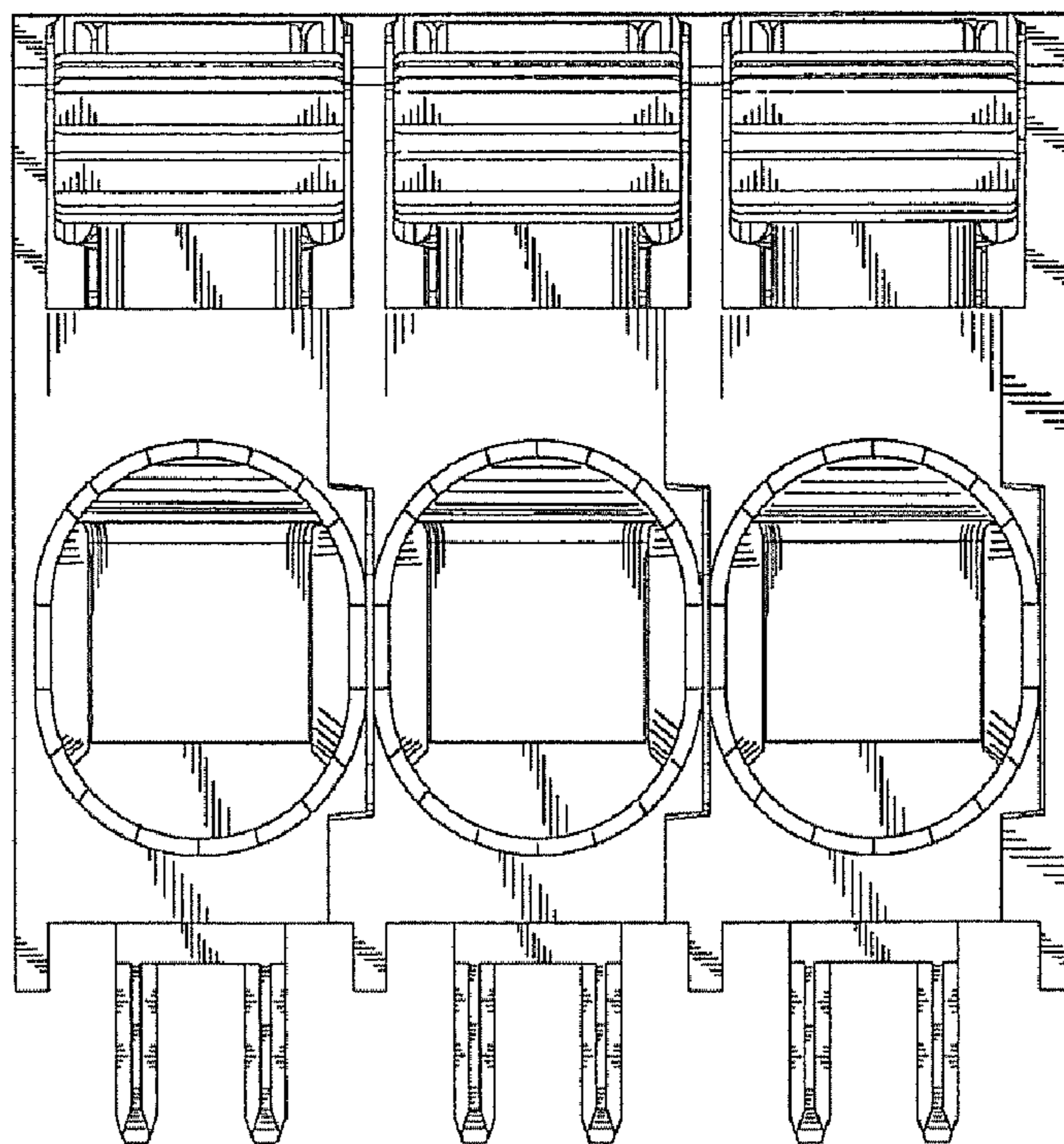


Fig. 3

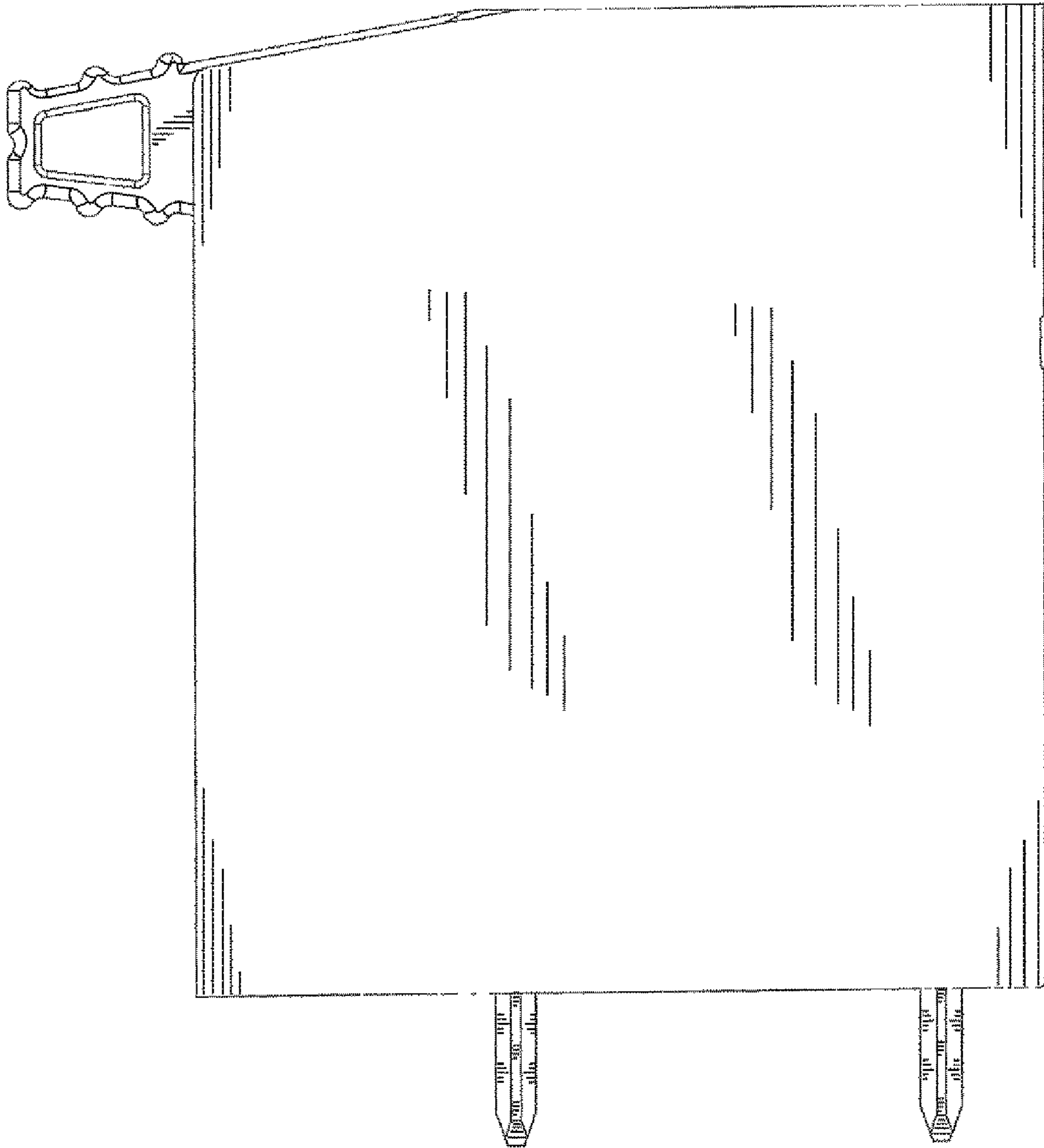


Fig. 4

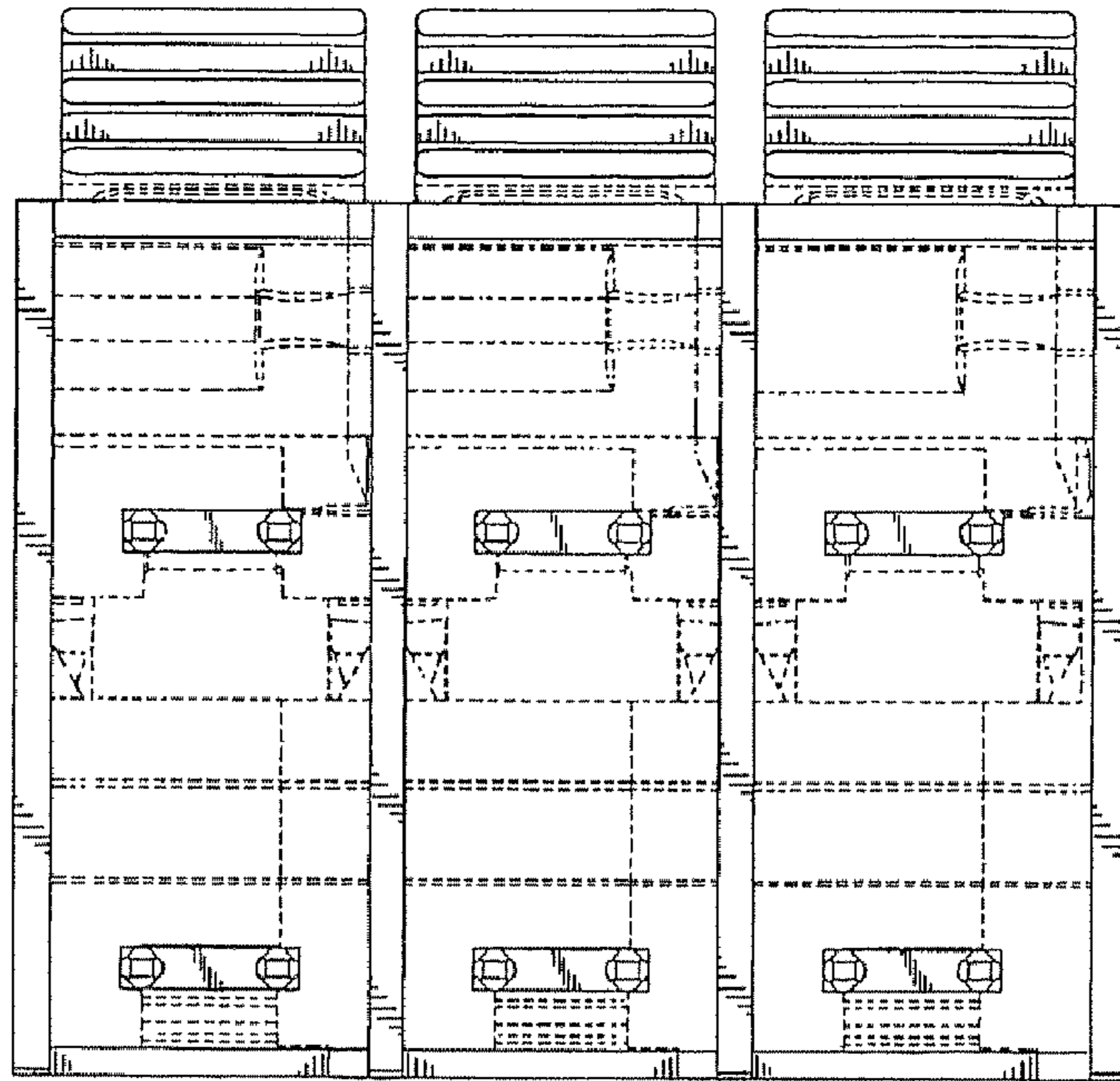


Fig. 5

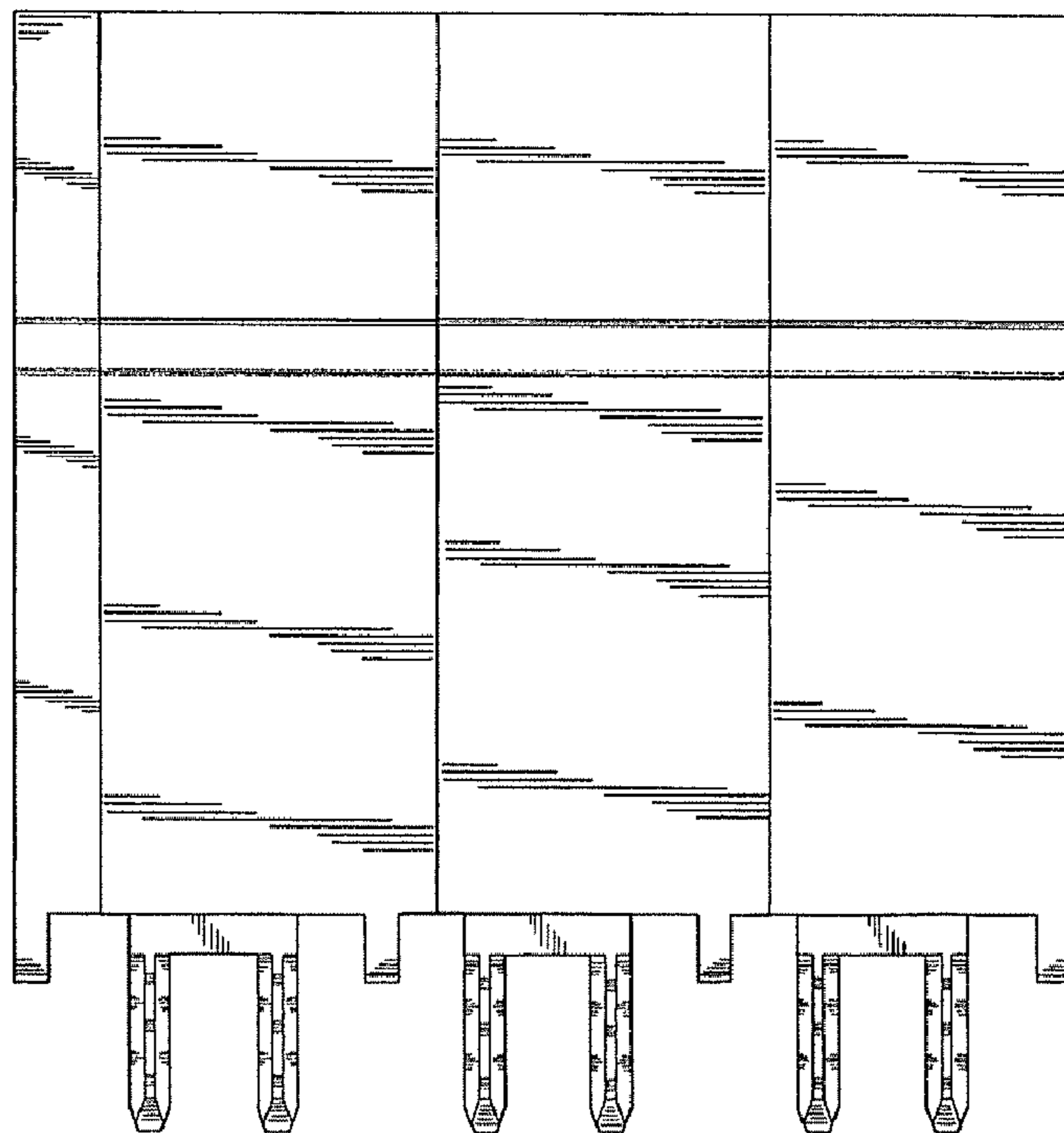


Fig. 6