



US00D625266S

(12) **United States Design Patent**  
**Bau**

(10) **Patent No.:** **US D625,266 S**

(45) **Date of Patent:** **\*\* Oct. 12, 2010**

(54) **CAR CHARGER**

(75) Inventor: **Steven Chi Vun Bau**, Tracy, CA (US)

(73) Assignee: **Switcheasy Limited**, Kowloon (HK)

(\*\*) Term: **14 Years**

(21) Appl. No.: **29/346,057**

(22) Filed: **Oct. 26, 2009**

(51) **LOC (9) Cl.** ..... **13-03**

(52) **U.S. Cl.** ..... **D13/144; D13/108**

(58) **Field of Classification Search** ..... D13/107,  
D13/110, 133, 155, 184, 199; D14/155;  
439/300, 620.01, 638, 668–669, 675, 825;  
320/110–112, 114; 363/146

See application file for complete search history.

(56) **References Cited**

**U.S. PATENT DOCUMENTS**

D330,885 S *	11/1992	Tattari .....	D13/108
D330,887 S *	11/1992	Wharton .....	D13/144
D341,123 S *	11/1993	Hakanen et al. ....	D13/108
D398,287 S *	9/1998	Luminosu .....	D13/144
D401,222 S *	11/1998	LeBlanc .....	D13/144
D492,249 S *	6/2004	Suomalainen et al. ....	D13/108
D504,407 S *	4/2005	Cohen et al. ....	D14/155
D505,935 S *	6/2005	Bey et al. ....	D14/155
D506,455 S *	6/2005	Bey et al. ....	D14/155
D521,486 S *	5/2006	Yokoyama .....	D14/155
D524,285 S *	7/2006	Dayan .....	D14/155
D525,937 S *	8/2006	Seil et al. ....	D13/144
D525,938 S *	8/2006	Seil et al. ....	D13/144
D548,719 S *	8/2007	Dayan .....	D14/155
D556,730 S *	12/2007	Yokoyama .....	D14/155
D557,658 S *	12/2007	Ledbetter et al. ....	D13/108
D563,873 S *	3/2008	Chen et al. ....	D13/144

D569,342 S *	5/2008	Suzuki .....	D13/110
D585,375 S *	1/2009	Andre et al. ....	D13/133
D592,594 S *	5/2009	Stiff et al. ....	D13/110
D604,699 S *	11/2009	Yamamoto .....	D13/144

\* cited by examiner

*Primary Examiner*—Rosemary K Tarca  
(74) *Attorney, Agent, or Firm*—Liu & Liu

(57) **CLAIM**

The ornamental design for a car charger, as shown and described.

**DESCRIPTION**

FIG. 1 is a right perspective view of a car charger showing the new design;

FIG. 2 is a front view thereof, the side opposite being a mirror image thereof;

FIG. 3 is a right side view thereof, the side opposite being a mirror image thereof;

FIG. 4 is a top plan view thereof;

FIG. 5 is a bottom plan view thereof.

FIG. 6 is a right perspective view of a car charger, showing the new design in accordance with an alternate embodiment, with the ports of the car charger swiveled to a raised position;

FIG. 7 is a front view thereof, the side opposite being a mirror image thereof;

FIG. 8 is a right side view thereof, the side opposite being a mirror image thereof;

FIG. 9 is top plan view thereof; and,

FIG. 10 is bottom plan view thereof.

**1 Claim, 10 Drawing Sheets**

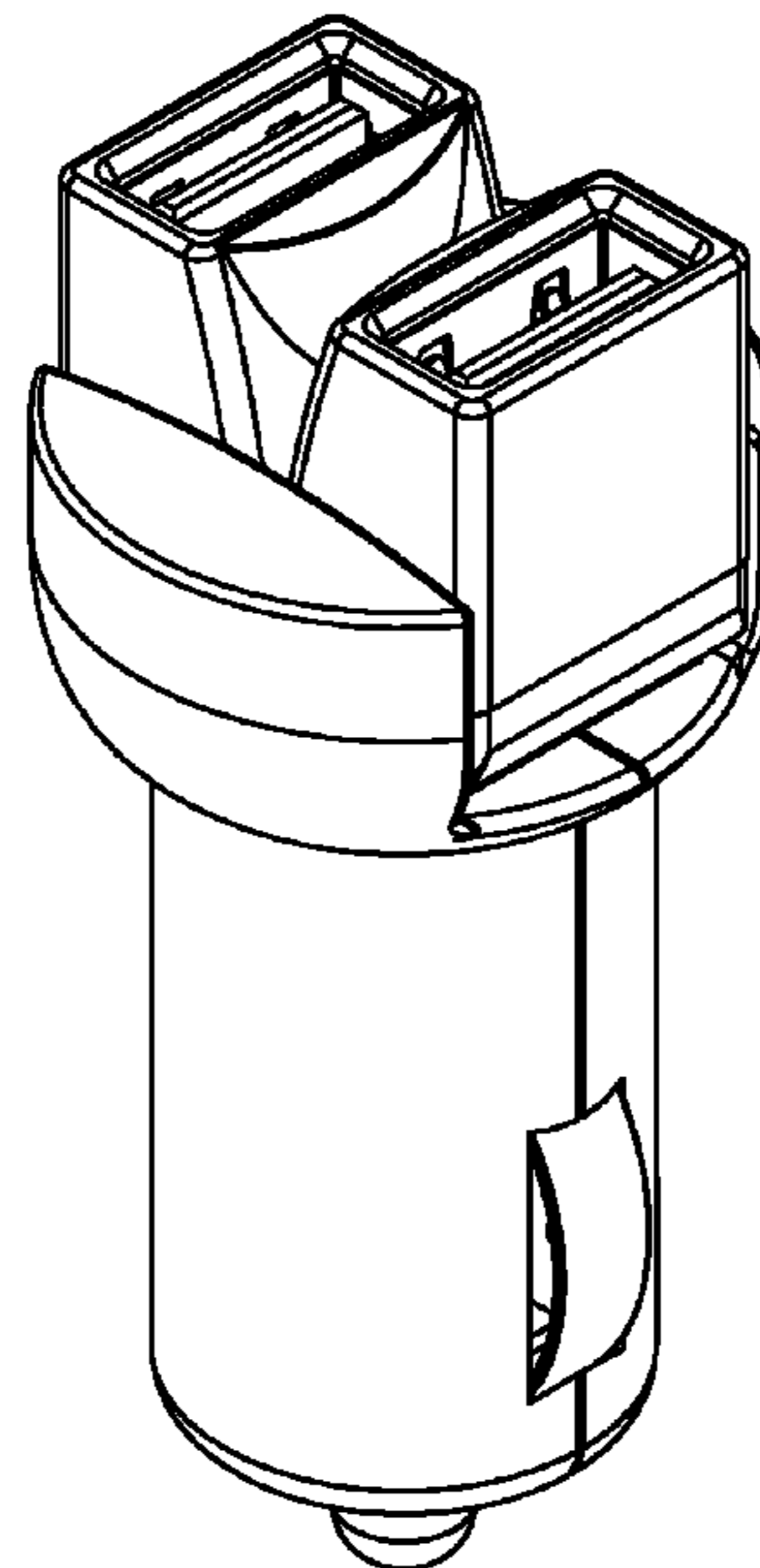
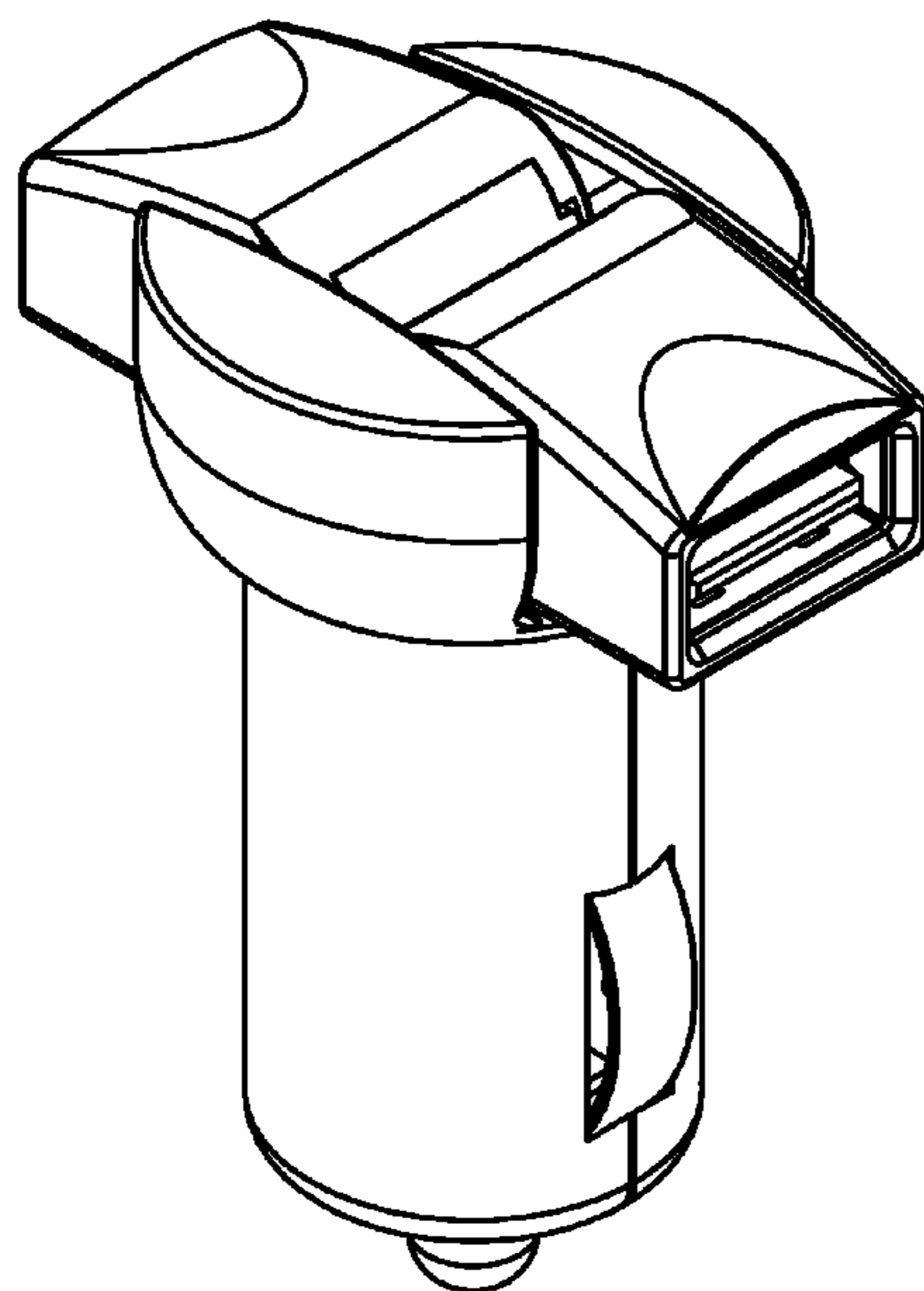


FIG. 1

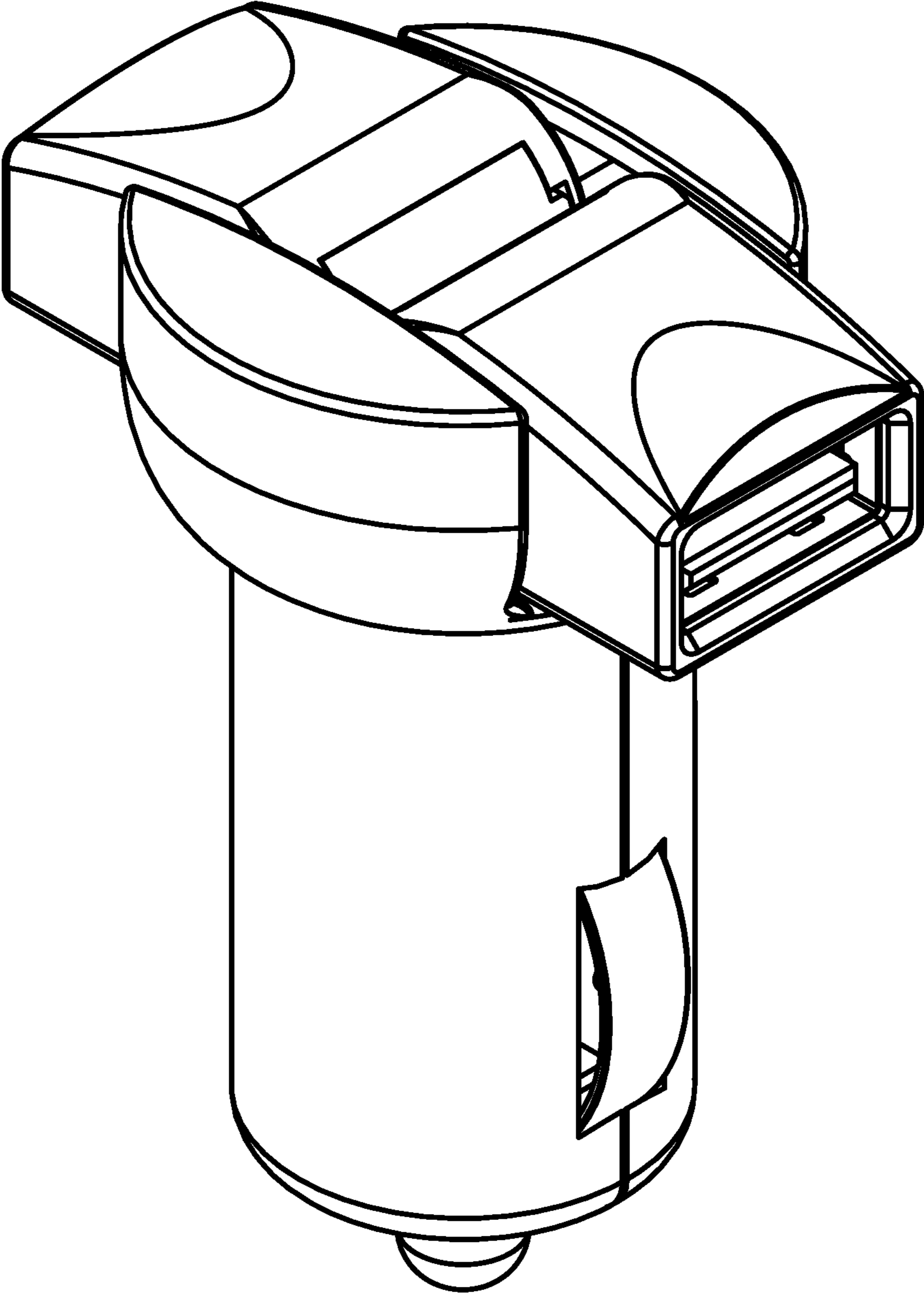


FIG. 2

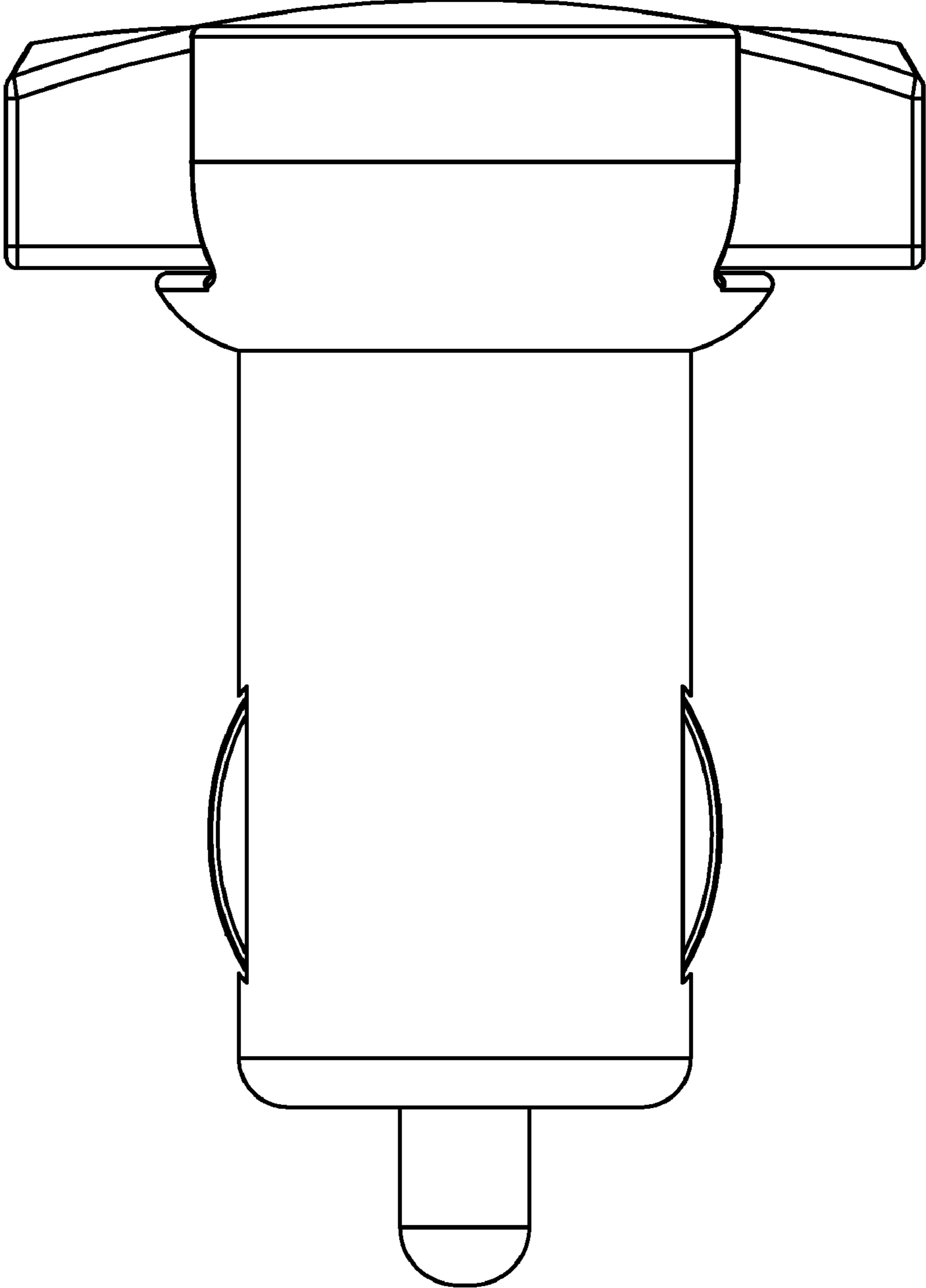


FIG. 3

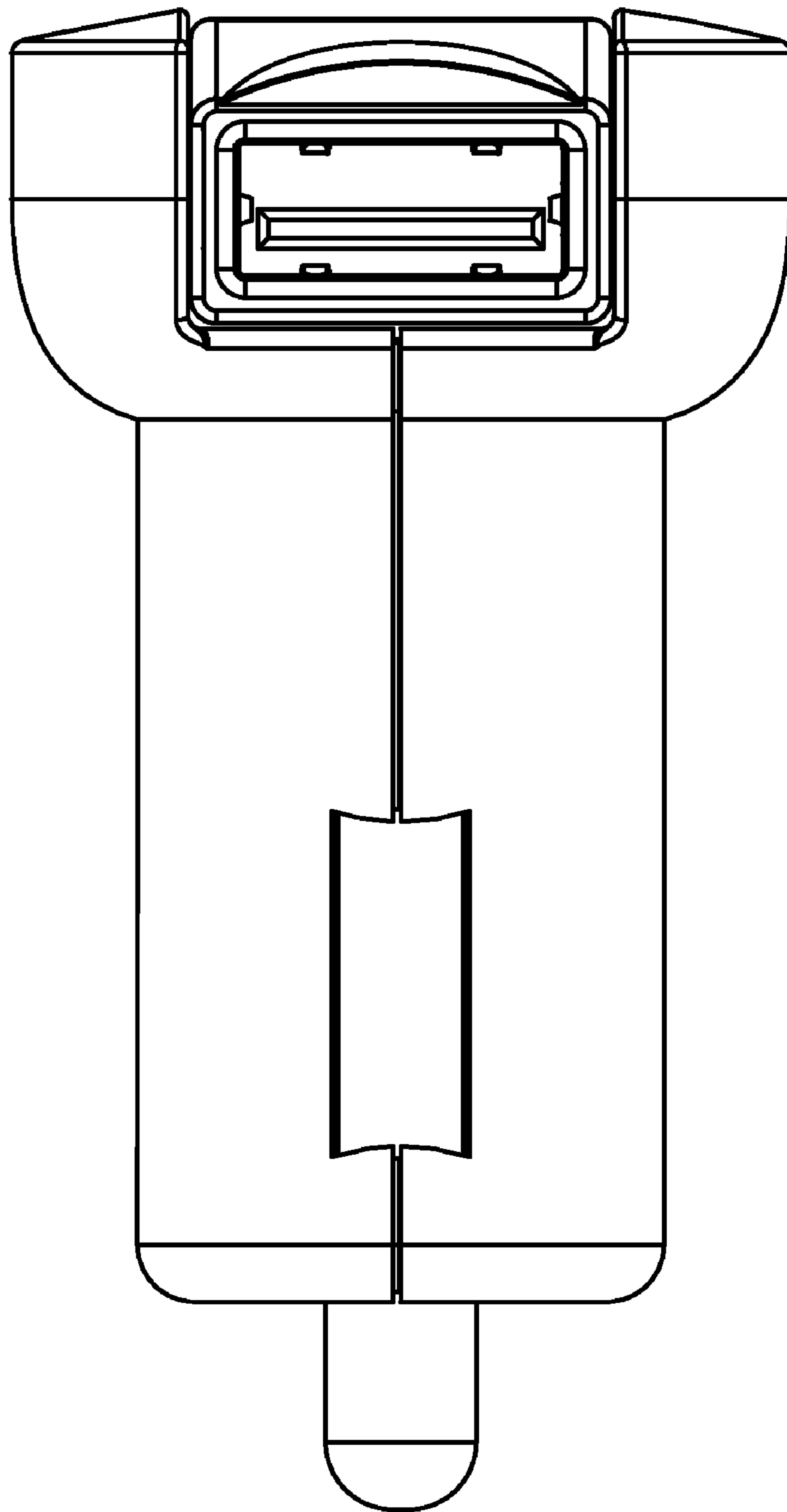
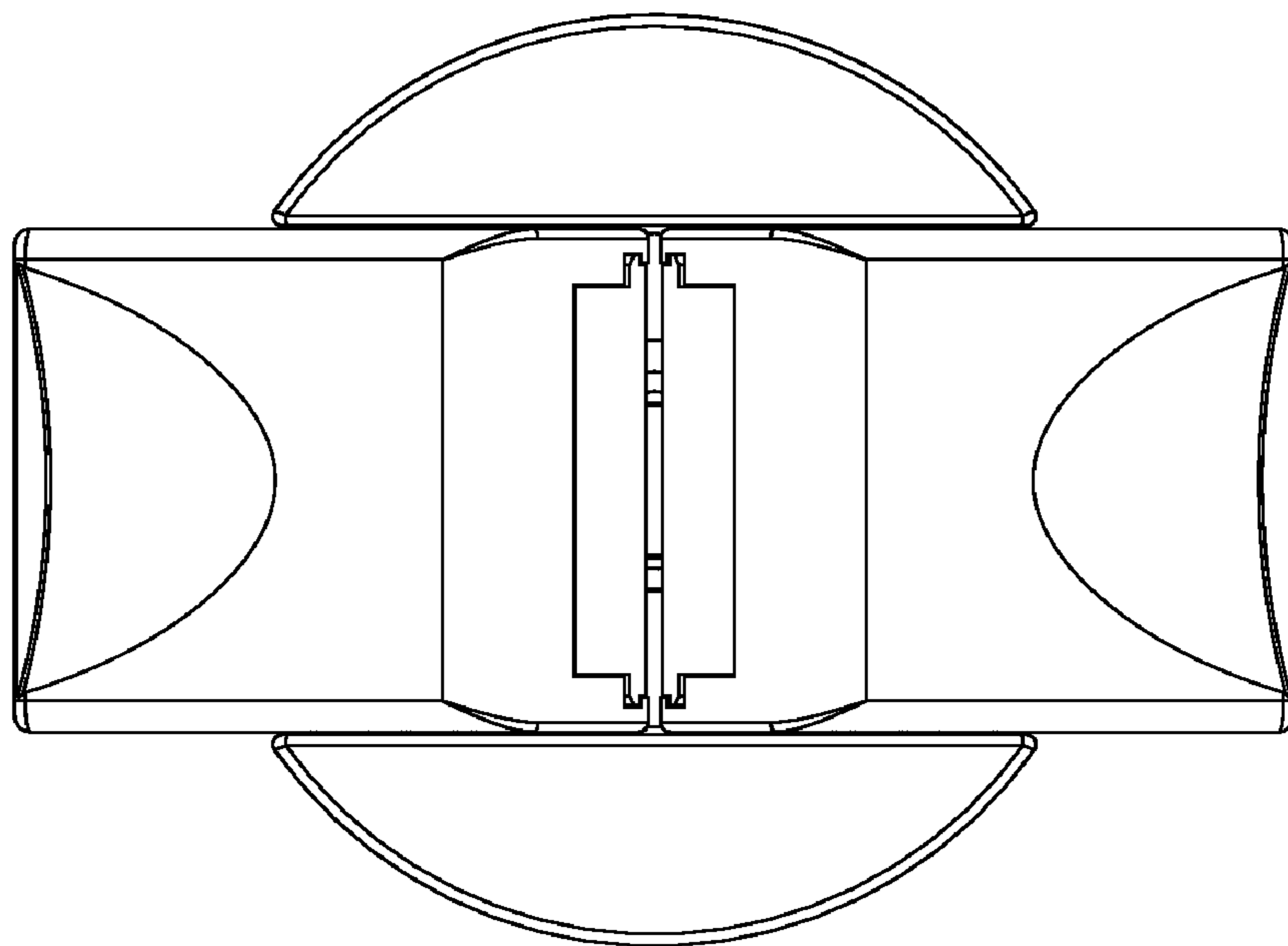


FIG. 4



**FIG. 5**

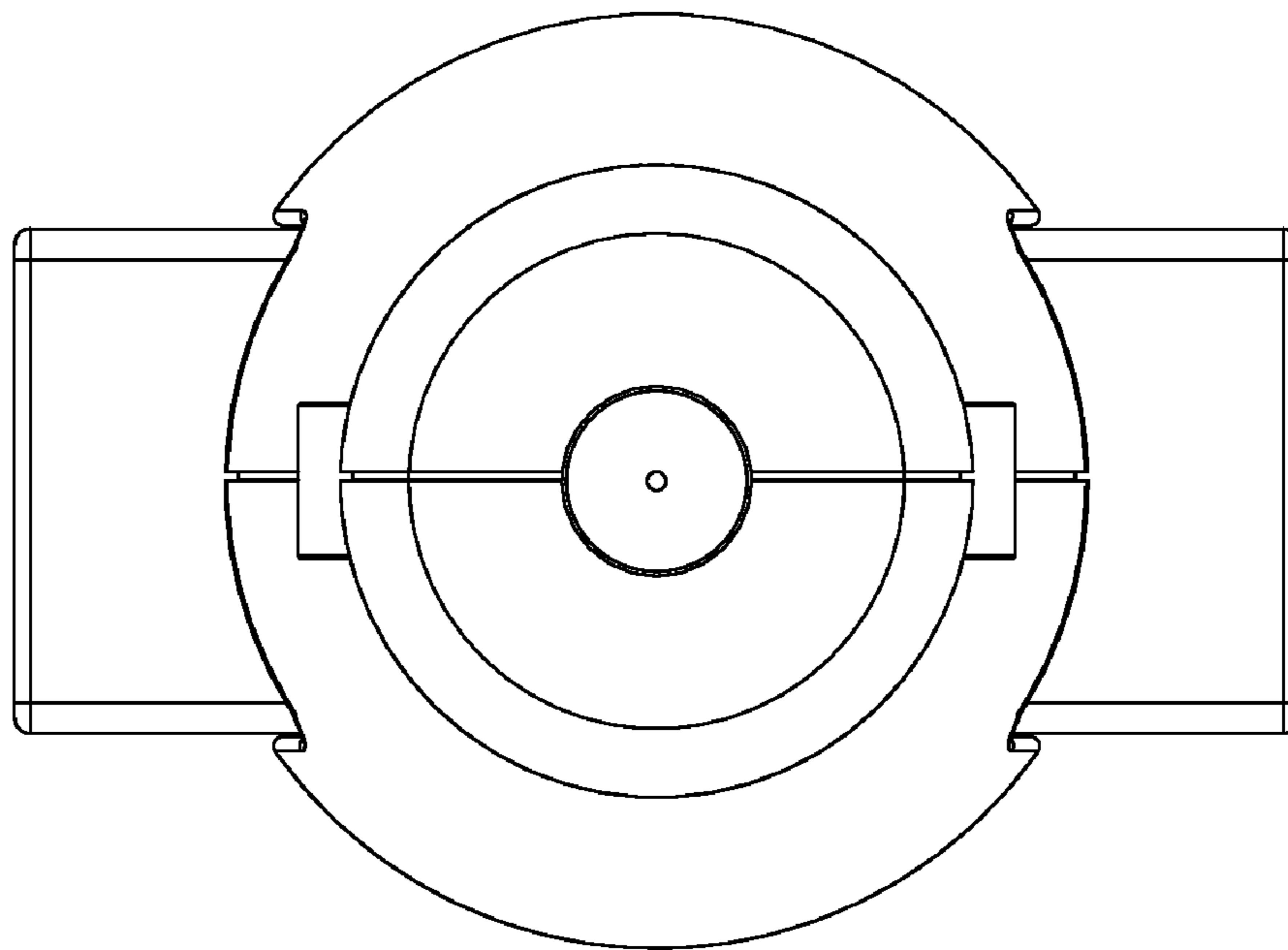


FIG. 6

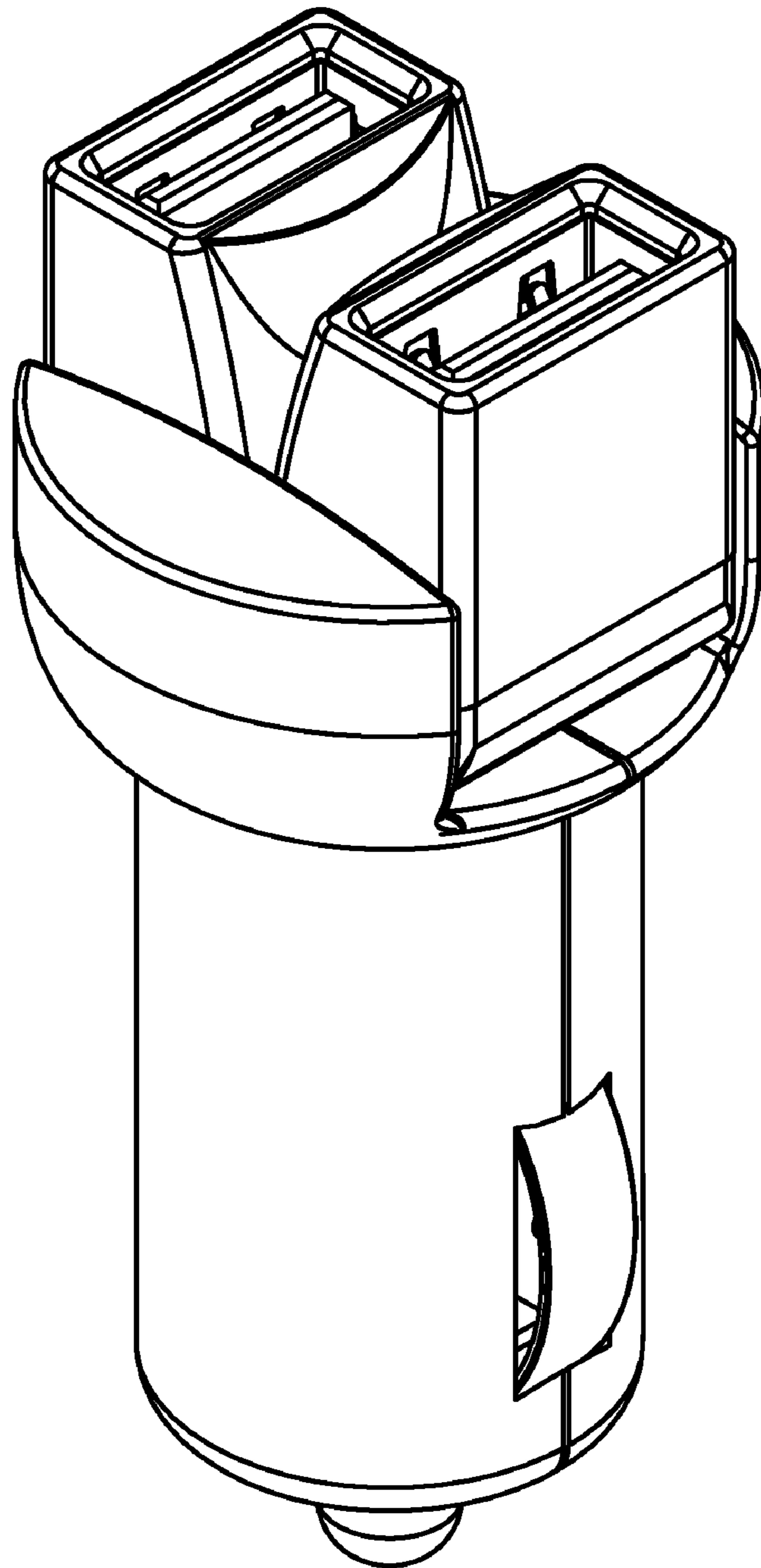


FIG. 7

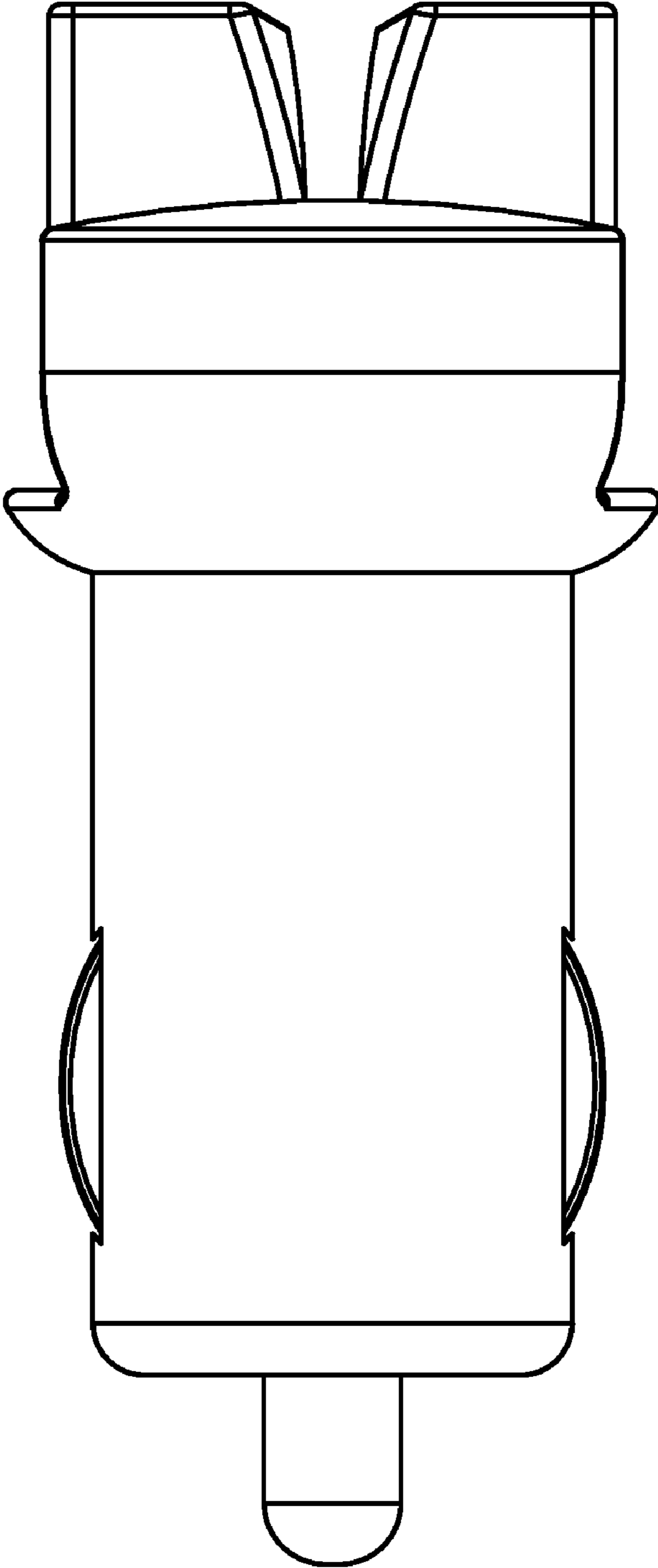
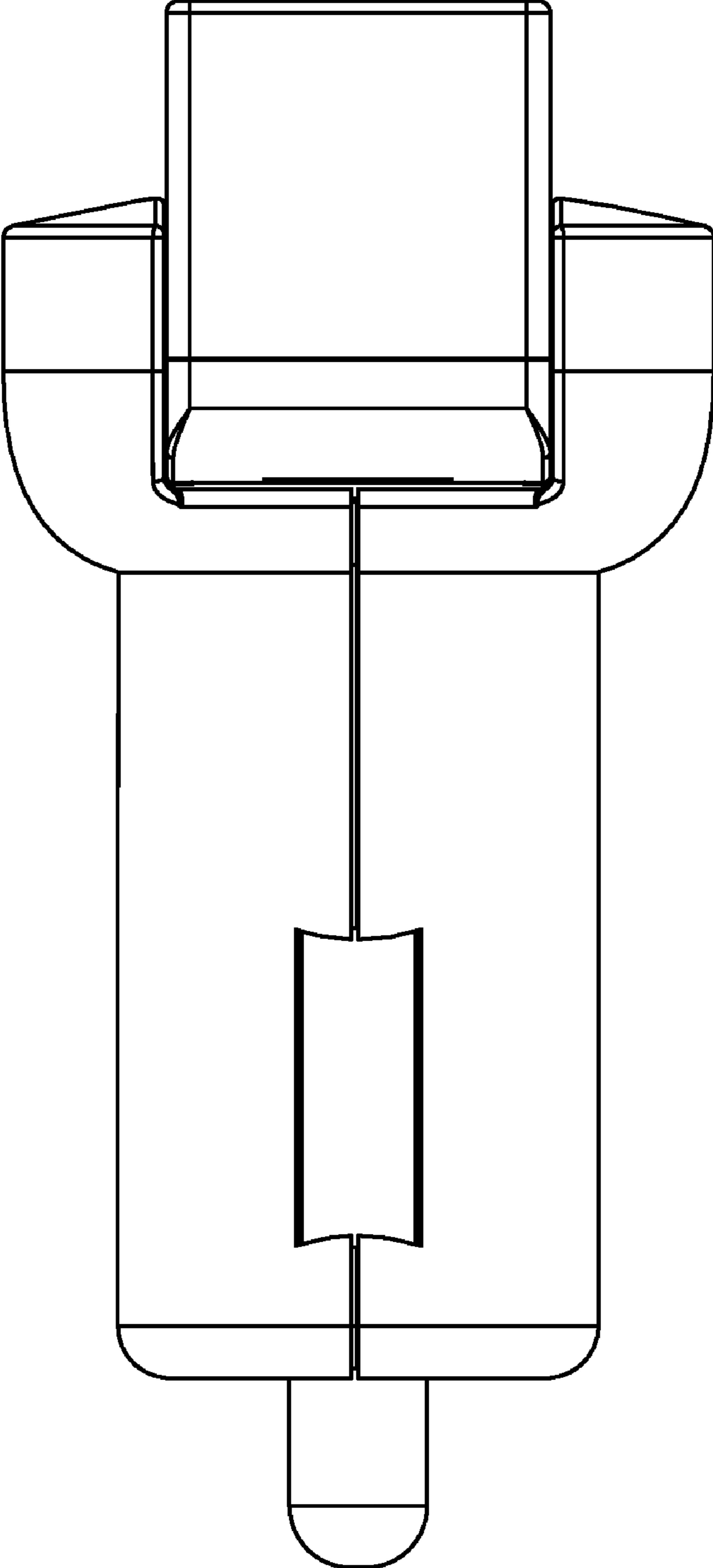
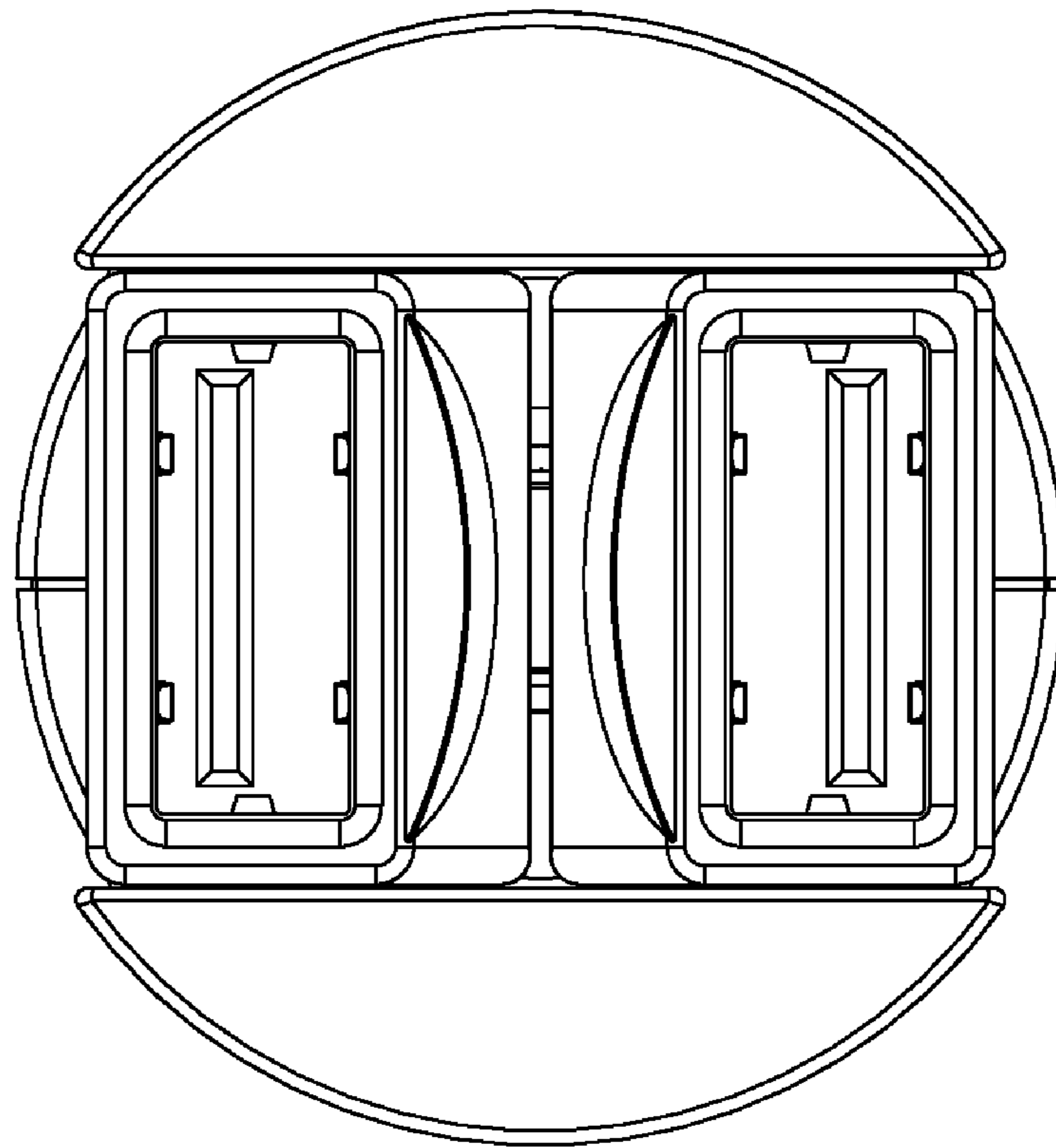




FIG. 8



**FIG. 9**



**FIG. 10**

