



US00D625265S

(12) **United States Design Patent**  
**DuMelle et al.**

(10) **Patent No.:** **US D625,265 S**

(45) **Date of Patent:** **\*\* Oct. 12, 2010**

(54) **BATTERY CLAMP**

(75) Inventors: **Barbara Margaret DuMelle**, Niles, IL (US); **Christopher Michael Kubik**, Chicago, IL (US); **Patrick J. Clarke**, St. Charles, IL (US); **Samuel Weisband**, Highland Park, IL (US); **Joseph J. Zenkus**, Lake in the Hills, IL (US); **Mark Kurth**, Chicago, IL (US); **Timothy Payne**, Chicago, IL (US); **Adam Callif**, Chicago, IL (US)

(73) Assignee: **Schumacher Electric Corporation**, Mt. Prospect, IL (US)

(\*\*) Term: **14 Years**

(21) Appl. No.: **29/354,902**

(22) Filed: **Jan. 29, 2010**

(51) **LOC (9) Cl.** ..... **13-02**

(52) **U.S. Cl.** ..... **D13/120**

(58) **Field of Classification Search** ..... D13/102–107, D13/110, 118–121, 133, 154, 156, 184; 429/96–100, 429/163, 176; 439/500; 455/343.1  
See application file for complete search history.

(56) **References Cited**

U.S. PATENT DOCUMENTS

D258,818	S	*	4/1981	Johnson et al.	.....	D13/120
D304,928	S	*	12/1989	Mize	.....	D13/120
4,913,668	A	*	4/1990	Chamberlain	.....	439/755
D333,121	S	*	2/1993	Craveiro	.....	D13/120
D346,149	S	*	4/1994	Deering	.....	D13/120
D597,029	S	*	7/2009	Li	.....	D13/120

OTHER PUBLICATIONS

U.S. Appl. No. 29/354,853, filed Jan. 29, 2010, Barbara M. DuMelle.  
U.S. Appl. No. 29/354,879, filed Jan. 29, 2010, Barbara M. DuMelle.  
U.S. Appl. No. 29/354,859, filed Jan. 29, 2010, Barbara M. DuMelle.  
U.S. Appl. No. 29/354,851, filed Jan. 29, 2010, Barbara M. DuMelle.  
U.S. Appl. No. 29/354,897, filed Jan. 29, 2010, Barbara M. DuMelle.  
U.S. Appl. No. 29/354,887, filed Jan. 29, 2010, Barbara M. DuMelle.  
U.S. Appl. No. 29/356,065, filed Feb. 19, 2010, Barbara M. DuMelle.

\* cited by examiner

*Primary Examiner*—Rosemary K Tarca

(74) *Attorney, Agent, or Firm*—John S. Paniaguas; Katten Muchin Rosenman LLP

(57) **CLAIM**

The ornamental design for a battery clamp, as shown and described.

**DESCRIPTION**

FIG. 1 is a front isometric view of a battery clamp in accordance with one embodiment of the present invention.

FIG. 2 is a bottom isometric view of the battery clamp illustrated in FIG. 1.

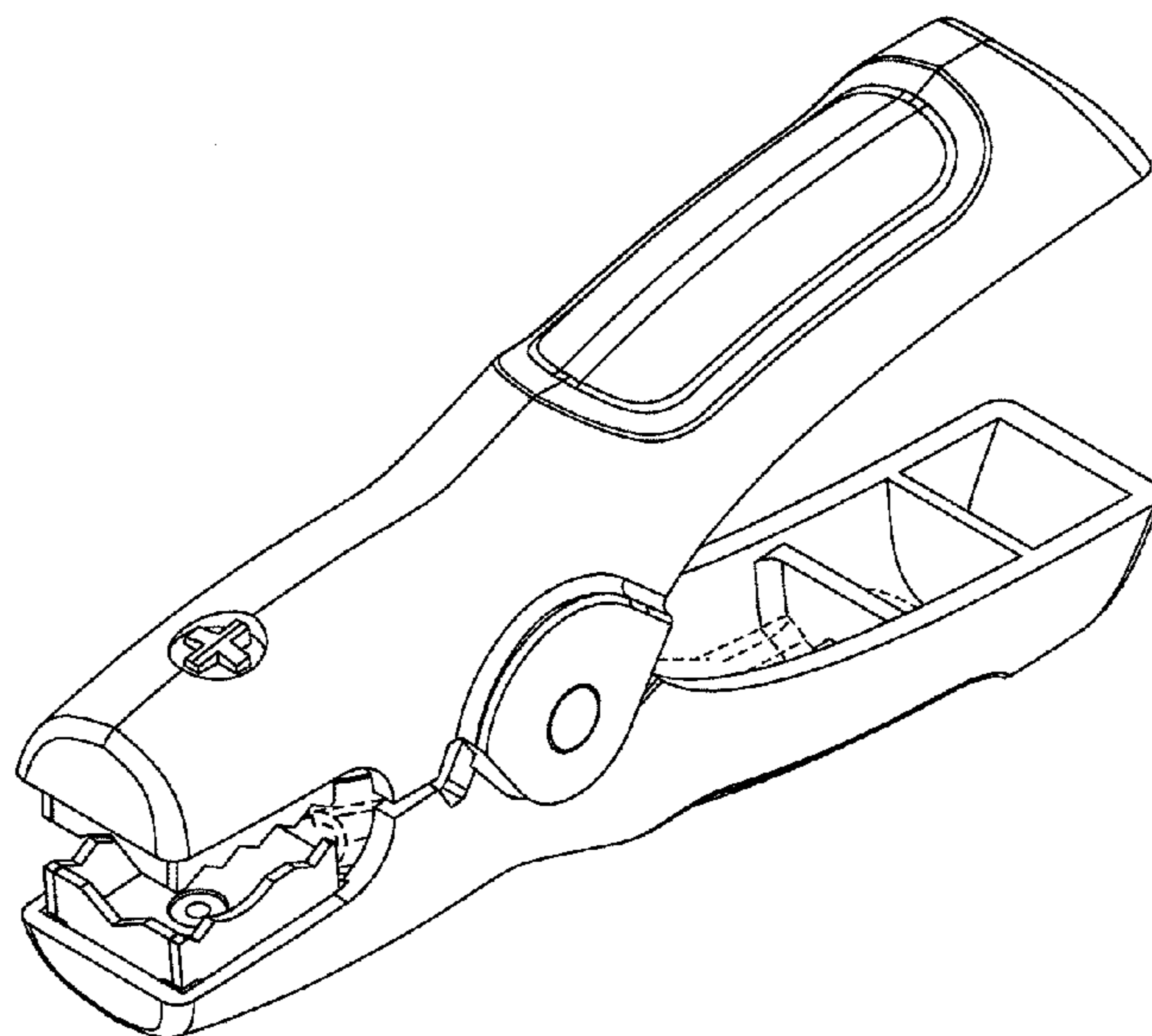
FIG. 3 is a right side elevation view of the battery clamp illustrated in FIG. 1.

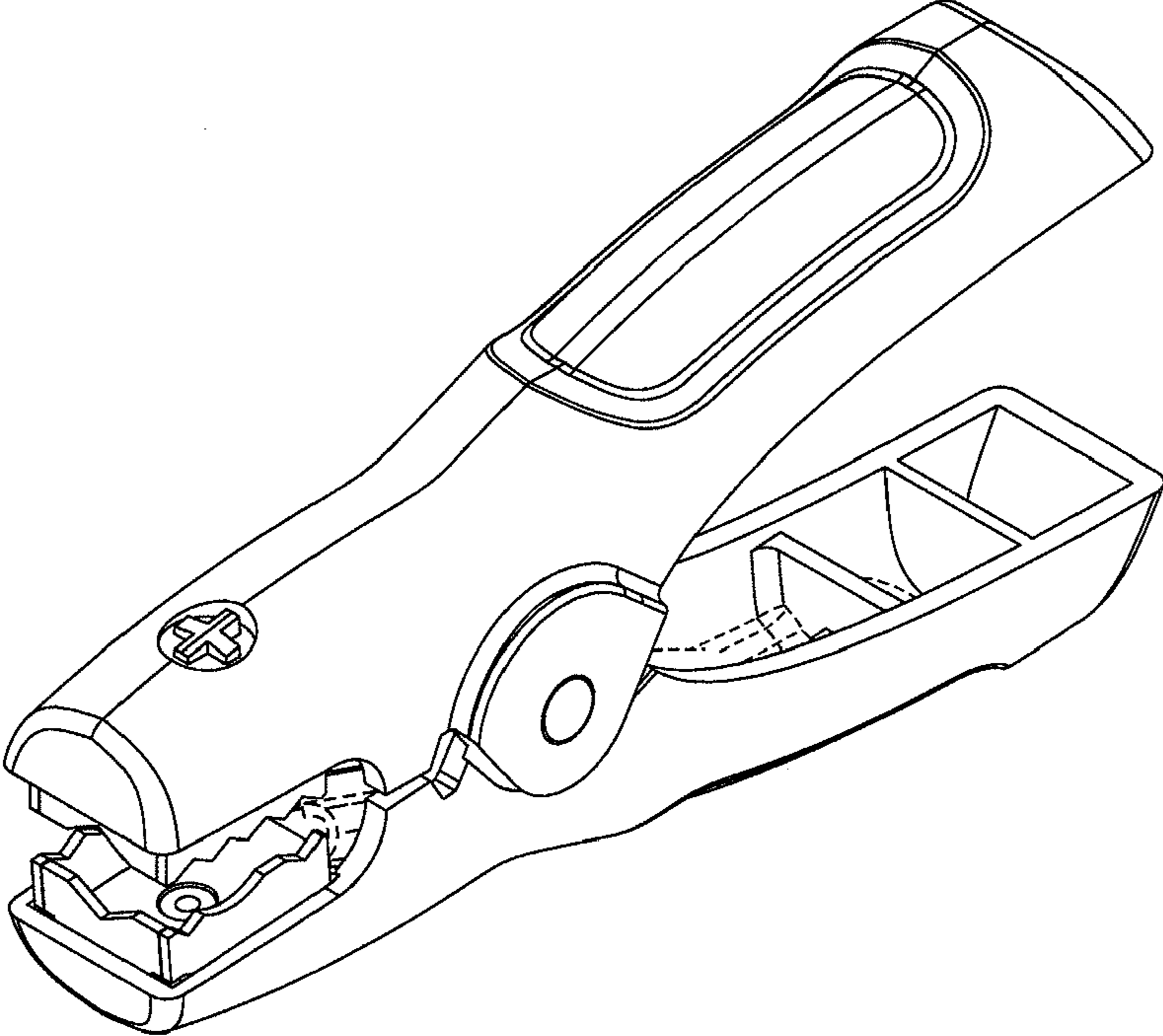
FIG. 4 is a top plan view of the battery clamp illustrated in FIG. 1; and,

FIG. 5 is a front elevation view of the battery clamp illustrated in FIG. 1.

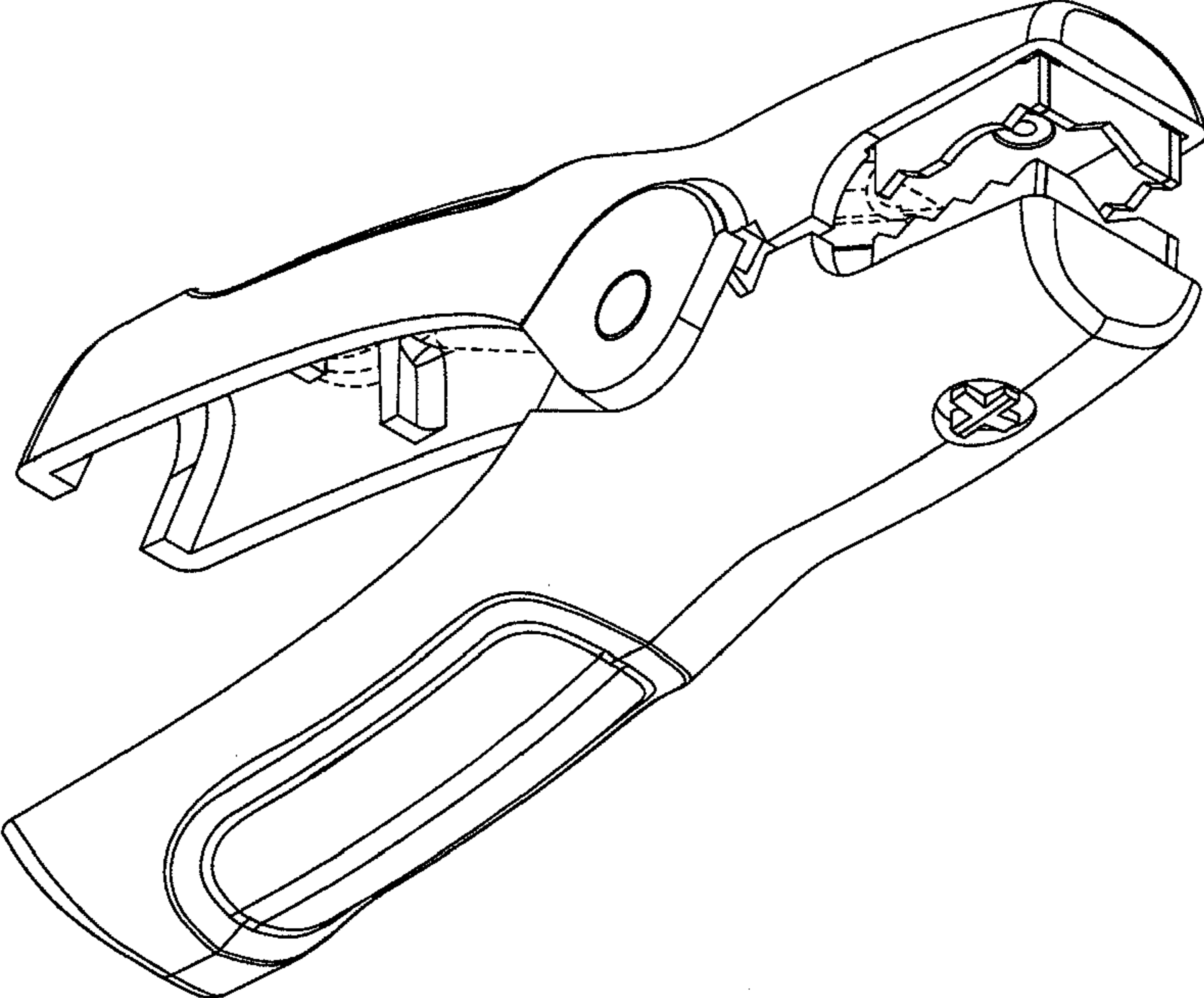
The broken lines shown in the drawings are included for the purpose of illustrating unclaimed portions of the battery clamp and form no part of the claimed design.

**1 Claim, 3 Drawing Sheets**

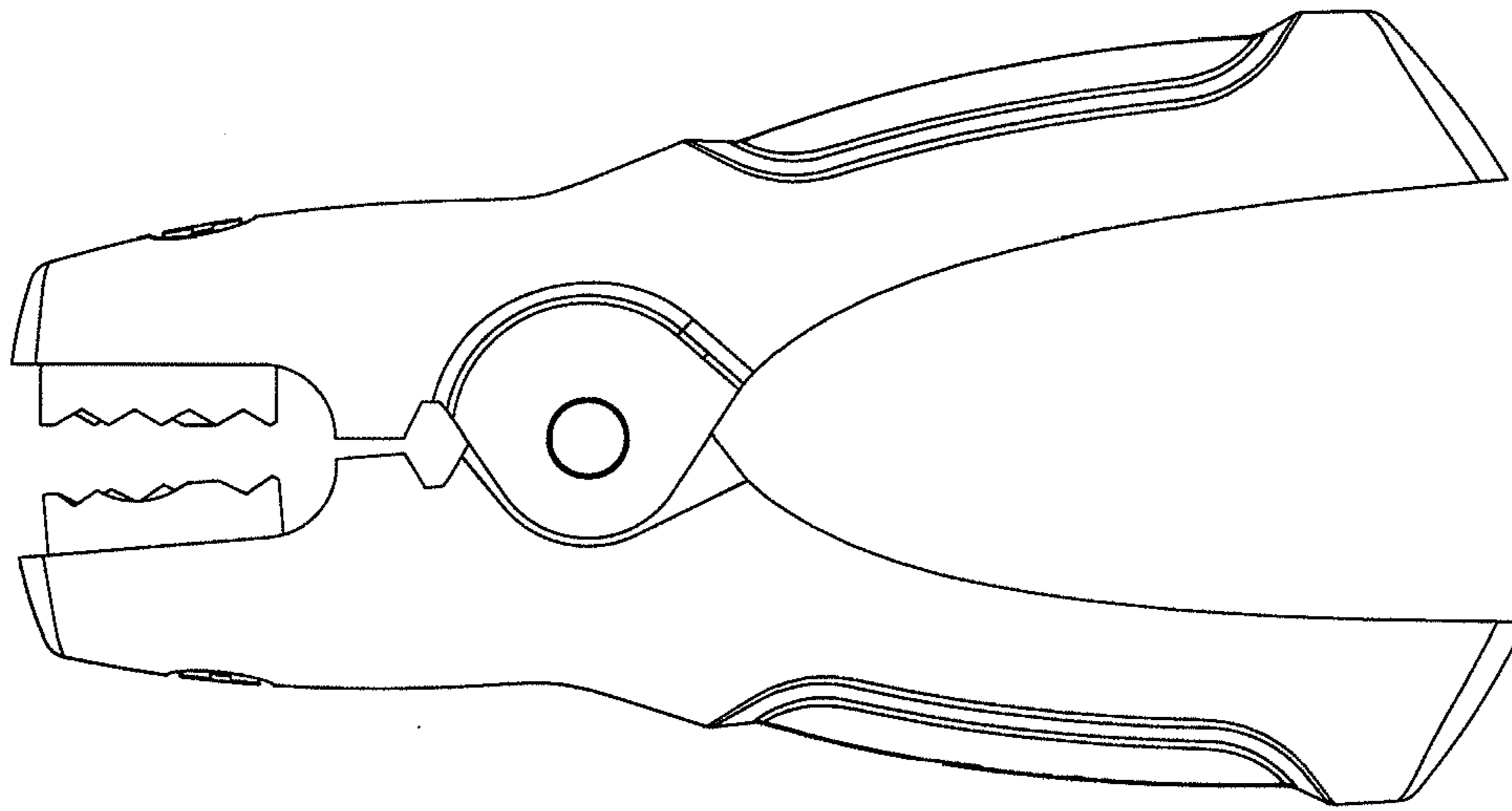




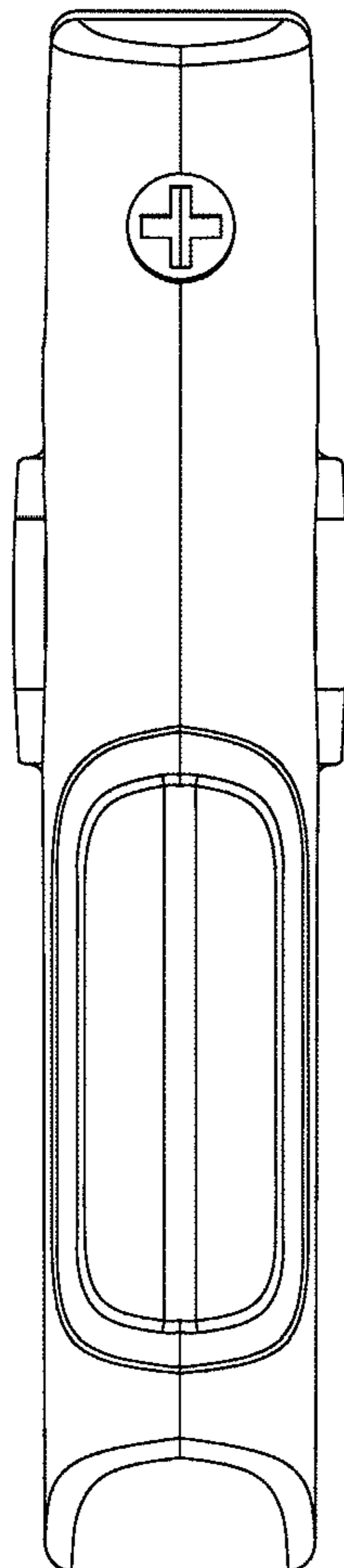
*Fig. 1*



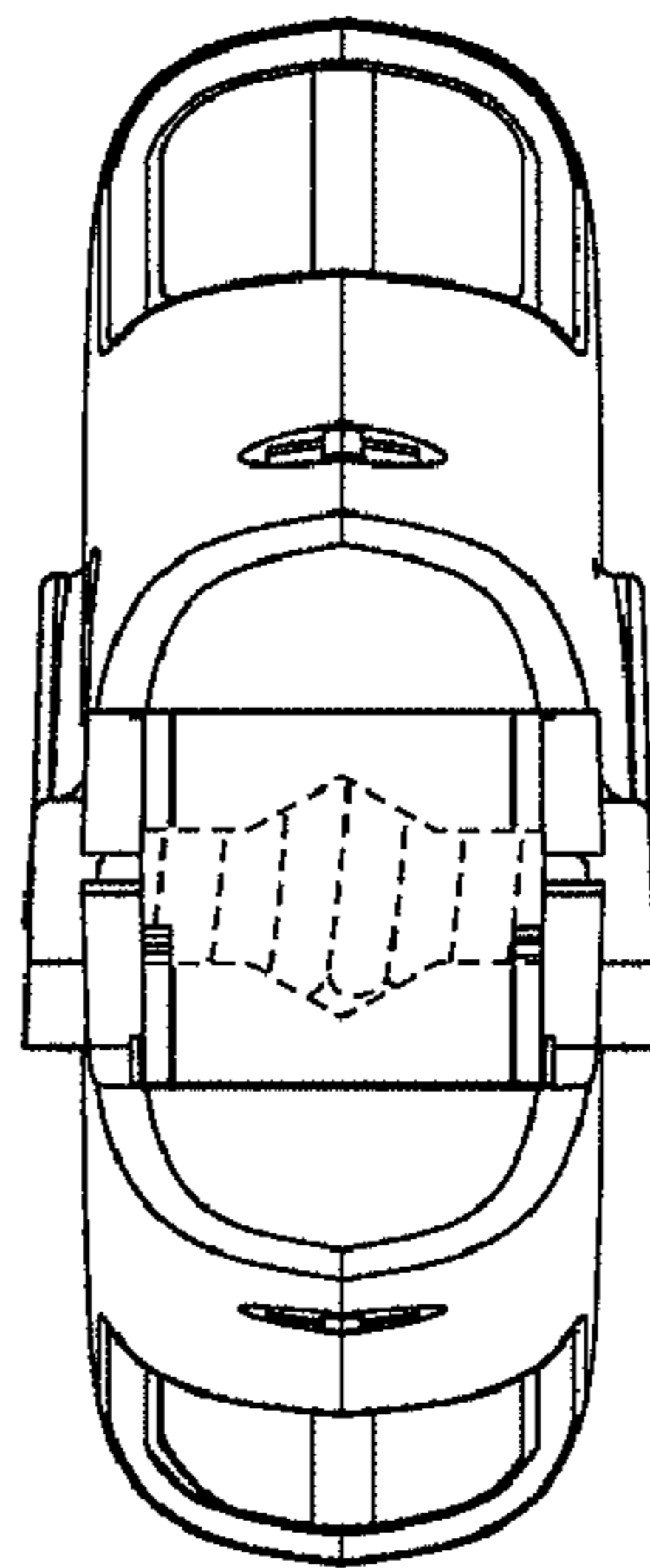
*Fig. 2*



*Fig. 3*



*Fig. 4*



*Fig. 5*