



US00D625264S

(12) **United States Design Patent**  
**Fredell et al.**

(10) **Patent No.:** **US D625,264 S**

(45) **Date of Patent:** **\*\* Oct. 12, 2010**

(54) **TROLLING MOTOR BATTERY CONNECTOR**

(76) Inventors: **Jason W. Fredell**, 5432 NW. Scepter Dr., Port Saint Lucie, FL (US) 34983; **Robert Parks**, 5432 NW. Scepter Dr., Port Saint Lucie, FL (US) 34983

(\*\*) Term: **14 Years**

(21) Appl. No.: **29/350,973**

(22) Filed: **Nov. 25, 2009**

(51) **LOC (9) Cl.** ..... **13-03**

(52) **U.S. Cl.** ..... **D13/119**

(58) **Field of Classification Search** ..... D13/102–108, D13/110, 118–119, 133, 154, 156, 184, 199; 429/96–100, 163, 176; 439/294, 536, 736; 318/440; 174/67; 320/117; D8/387, 382  
See application file for complete search history.

(56) **References Cited**

U.S. PATENT DOCUMENTS

3,140,344	A	7/1964	Slater et al.	
D214,379	S *	6/1969	Wolf et al.	D13/119
4,081,738	A	3/1978	Roller	
4,114,970	A	9/1978	Hall, Jr.	
D272,718	S *	2/1984	Knudson	D8/387
4,613,801	A	9/1986	Tatom, Jr.	
4,649,332	A	3/1987	Bell	
5,035,646	A	7/1991	Ehrenfels et al.	
5,120,268	A	6/1992	Gerrans	
D341,127	S *	11/1993	Sachs	D13/154
D354,739	S *	1/1995	Durham et al.	D13/184
D372,459	S	8/1996	Tiberio, Jr. et al.	
D422,202	S *	4/2000	Maki	D8/387

D430,007	S *	8/2000	Damour	D8/387
6,827,597	B1	12/2004	Metzbower et al.	
D508,236	S *	8/2005	Duke et al.	D13/184
D508,237	S *	8/2005	Shing	D13/184
D515,027	S *	2/2006	Groh et al.	D13/103
D528,502	S *	9/2006	Fleetwood	D13/103
D531,117	S *	10/2006	Schrick et al.	D13/103
D575,734	S *	8/2008	Groh et al.	D13/119
D585,021	S *	1/2009	Surette	D13/119

\* cited by examiner

*Primary Examiner*—Rosemary K Tarcza

(74) *Attorney, Agent, or Firm*—Crossley Patent Law; Mark A. Crossley

(57) **CLAIM**

The ornamental design for a trolling motor battery connector, as shown and described.

**DESCRIPTION**

FIG. 1 is a front elevation view of a trolling motor battery connector showing our new design;

FIG. 2 is a rear elevation view thereof;

FIG. 3 is a right elevation view thereof, the opposite side being a mirror image of the shown;

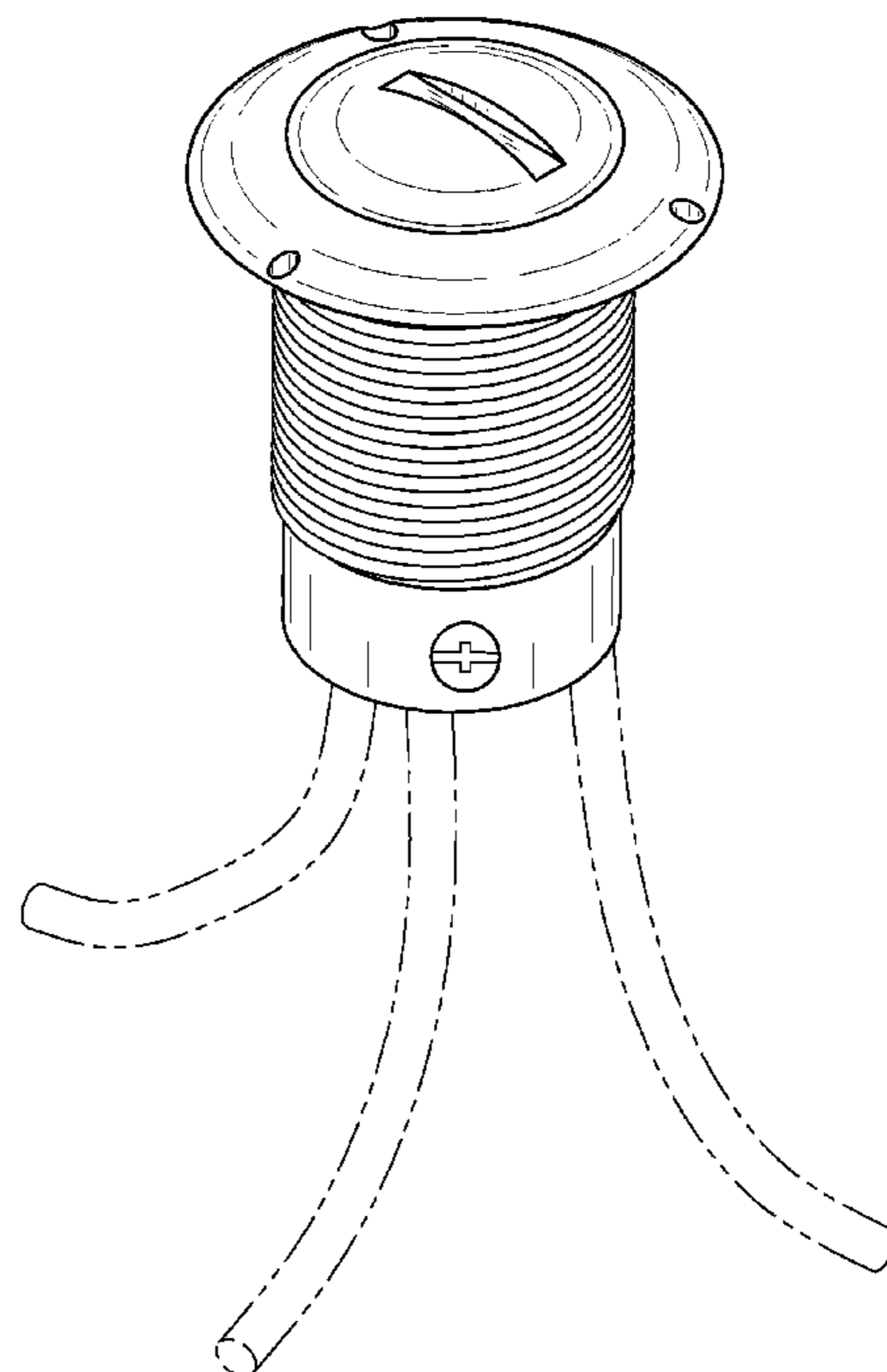
FIG. 4 is a top plan view thereof;

FIG. 5 is a bottom plan view thereof; and,

FIG. 6 is an isometric view thereof.

The broken lines in the drawings depict environmental subject matter only and form no part of the claimed design.

**1 Claim, 4 Drawing Sheets**



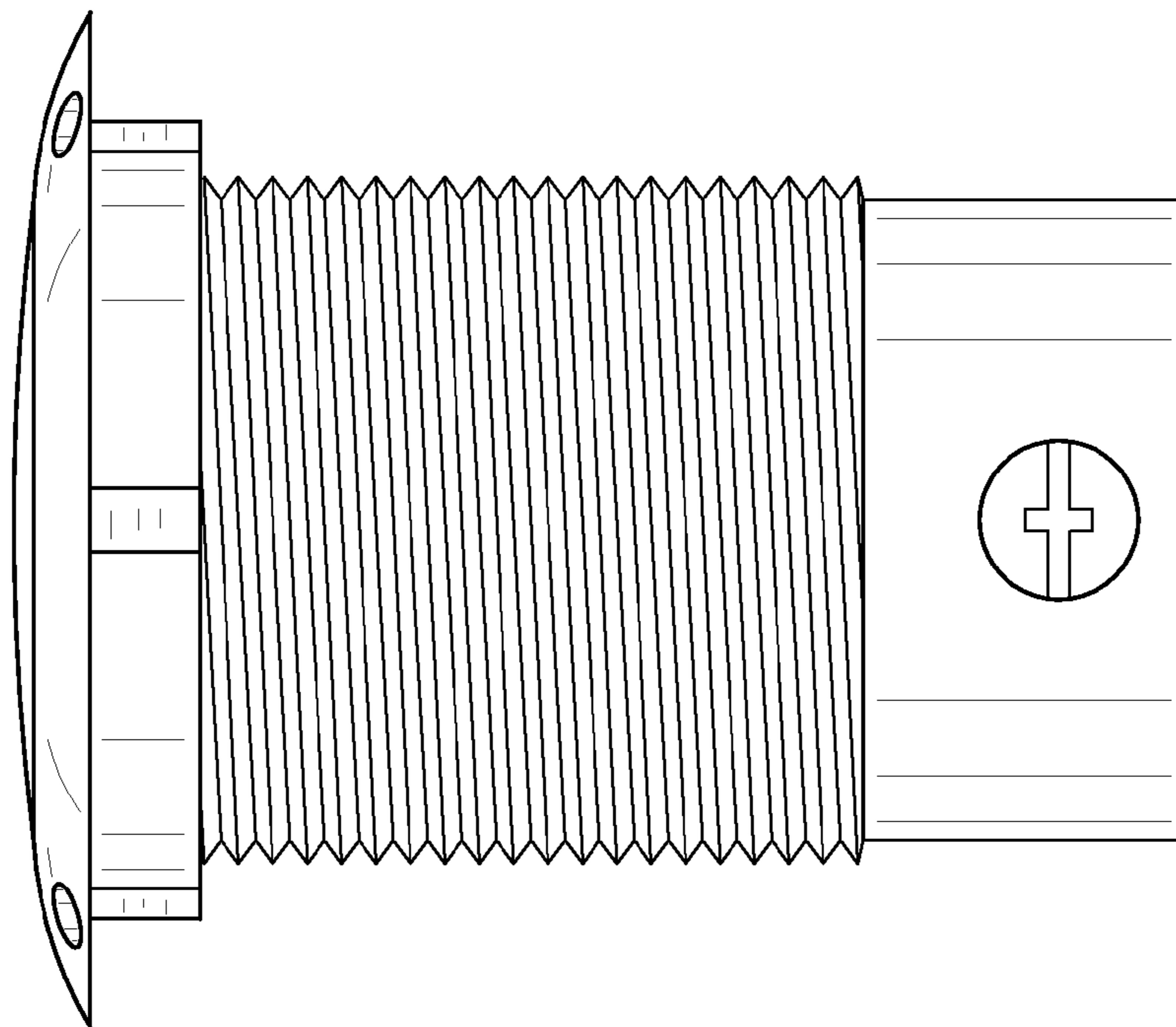


FIG. 2

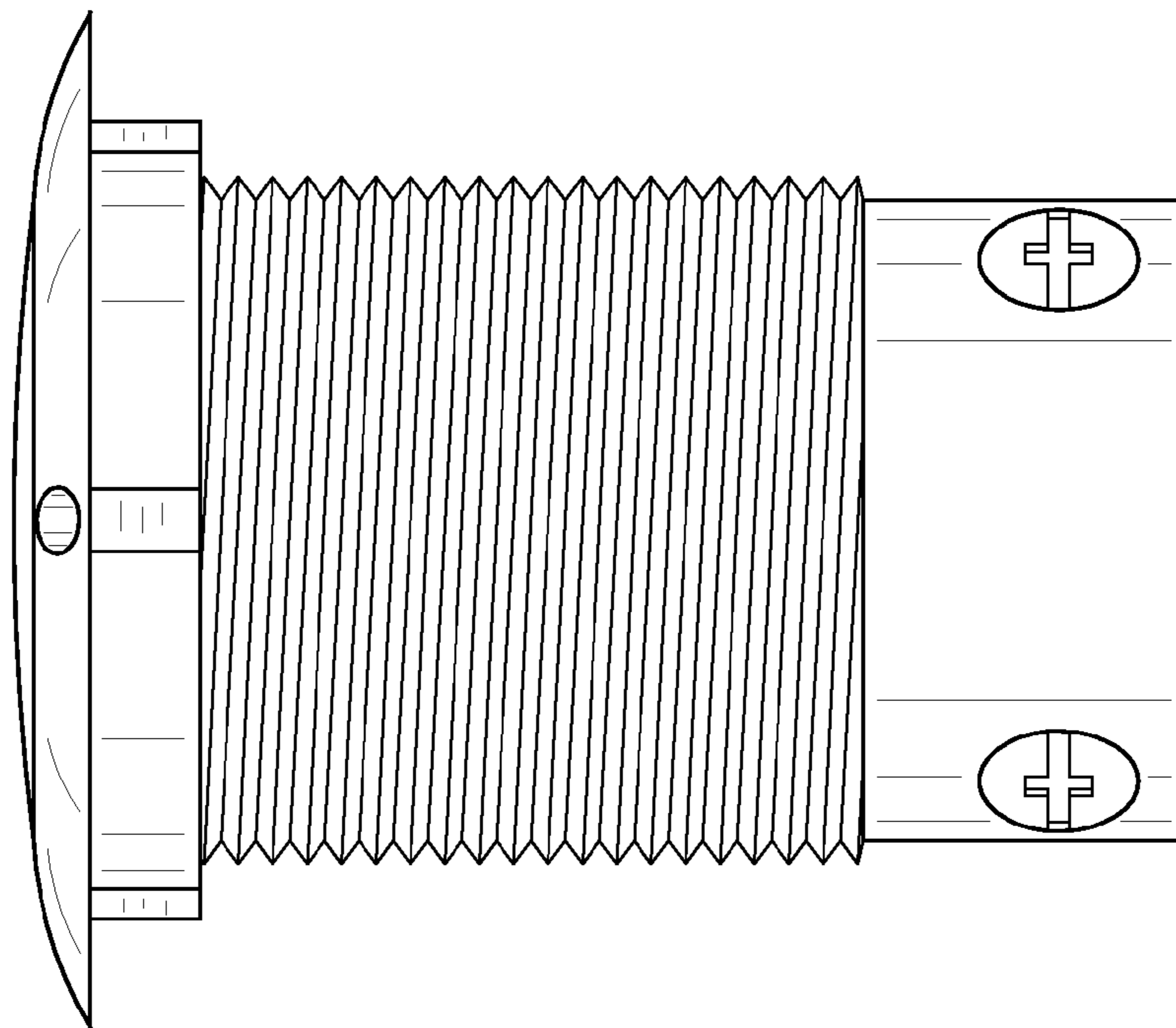


FIG. 1

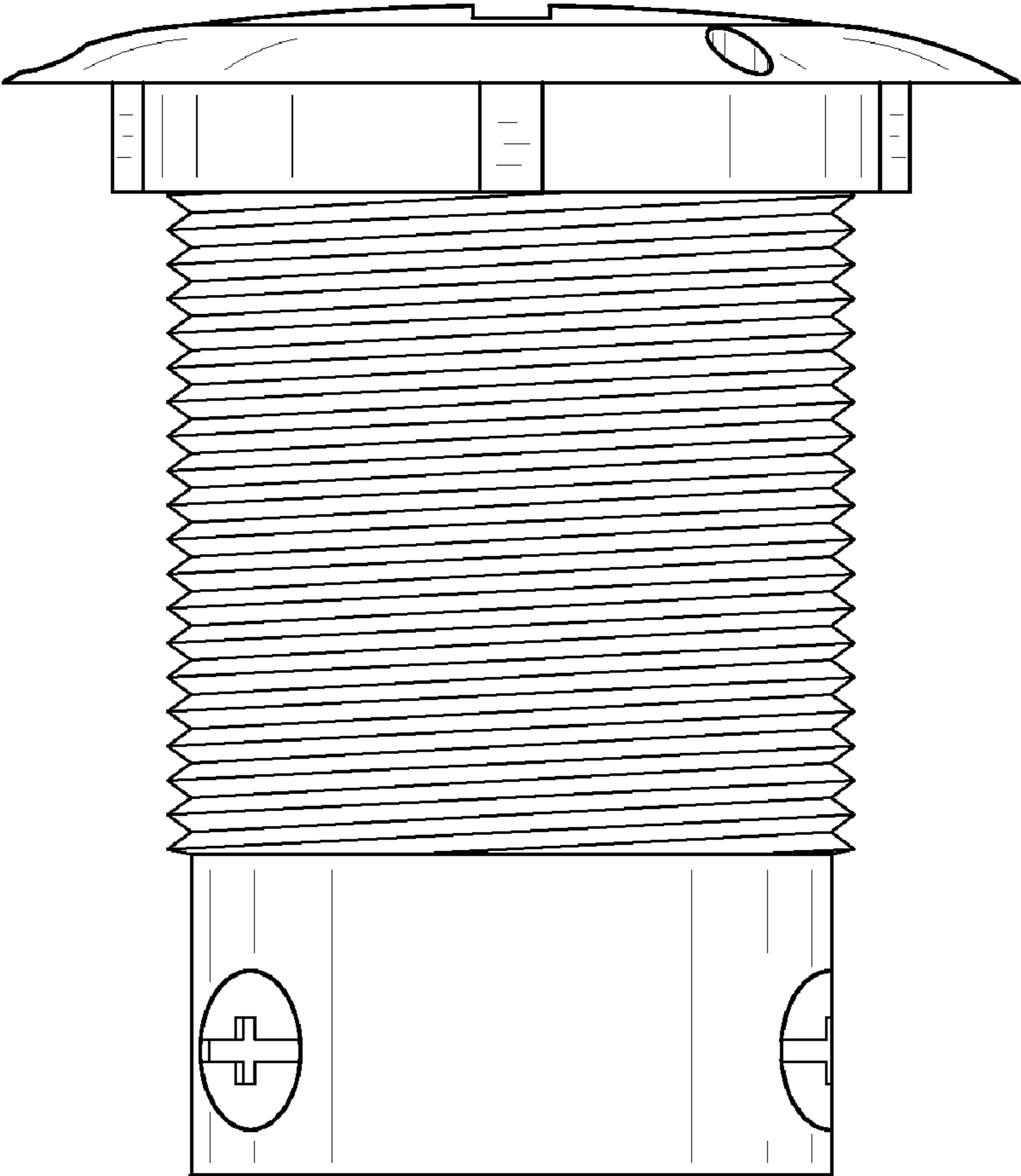


FIG. 3

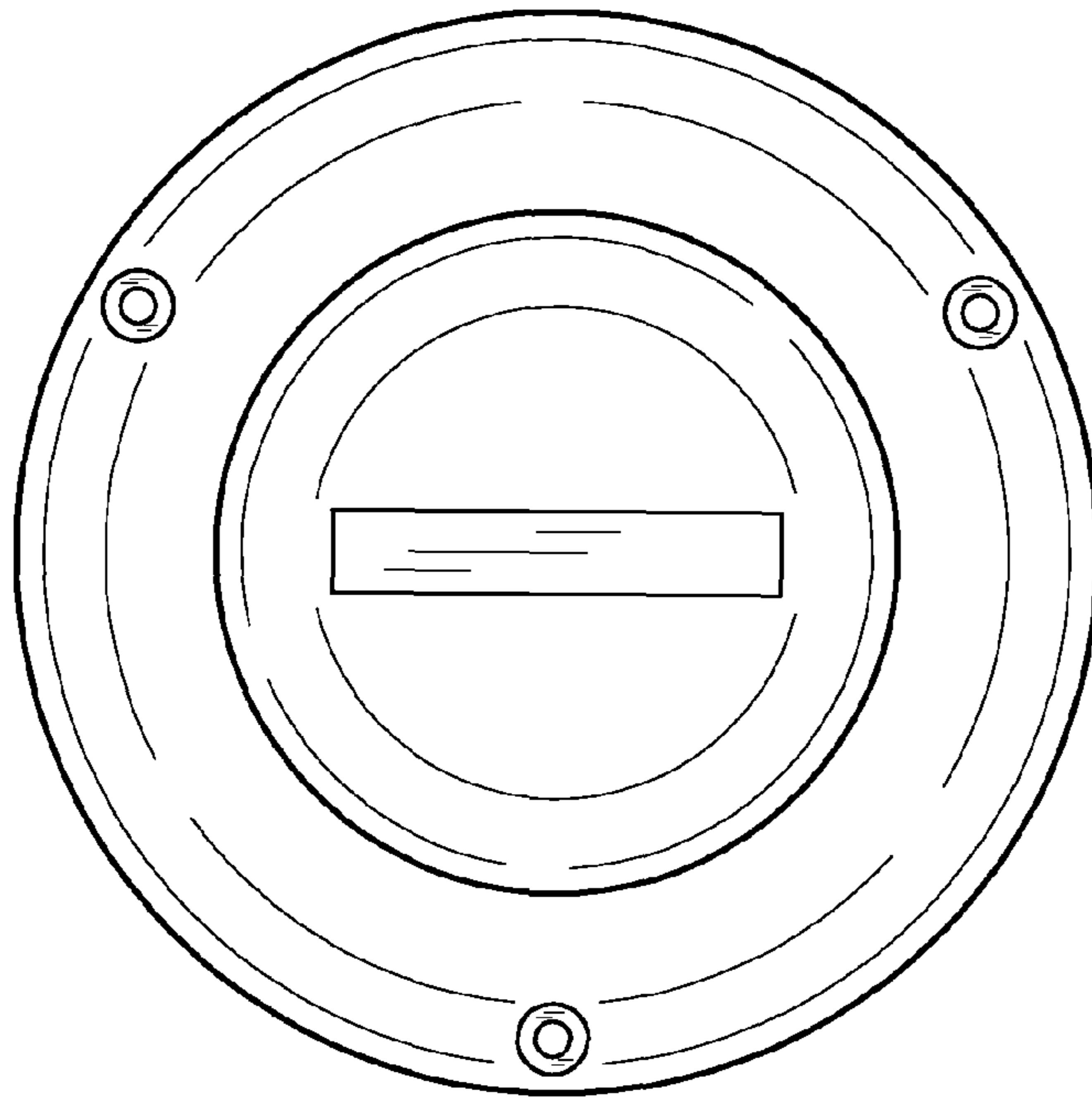


FIG. 4

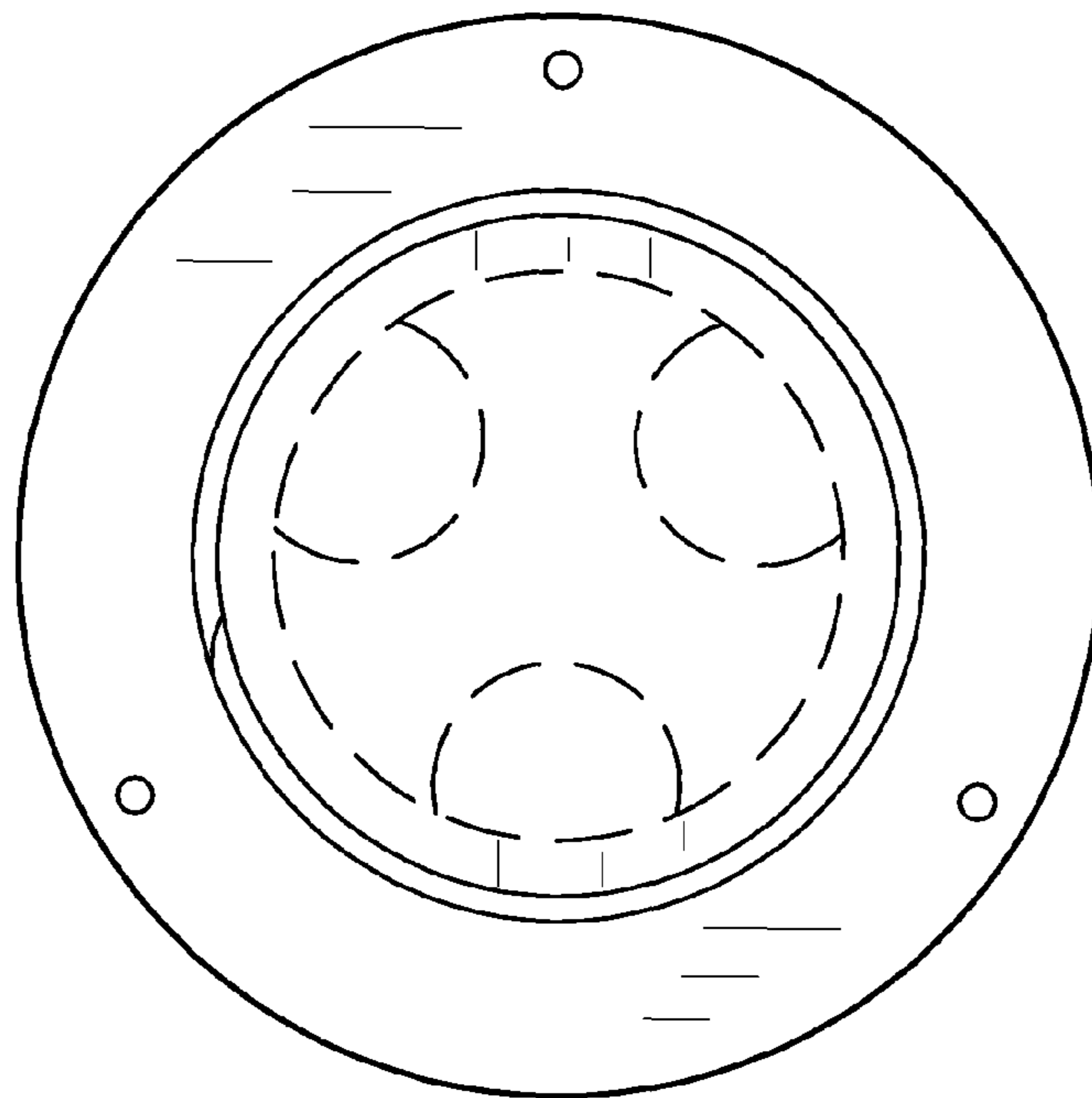


FIG. 5

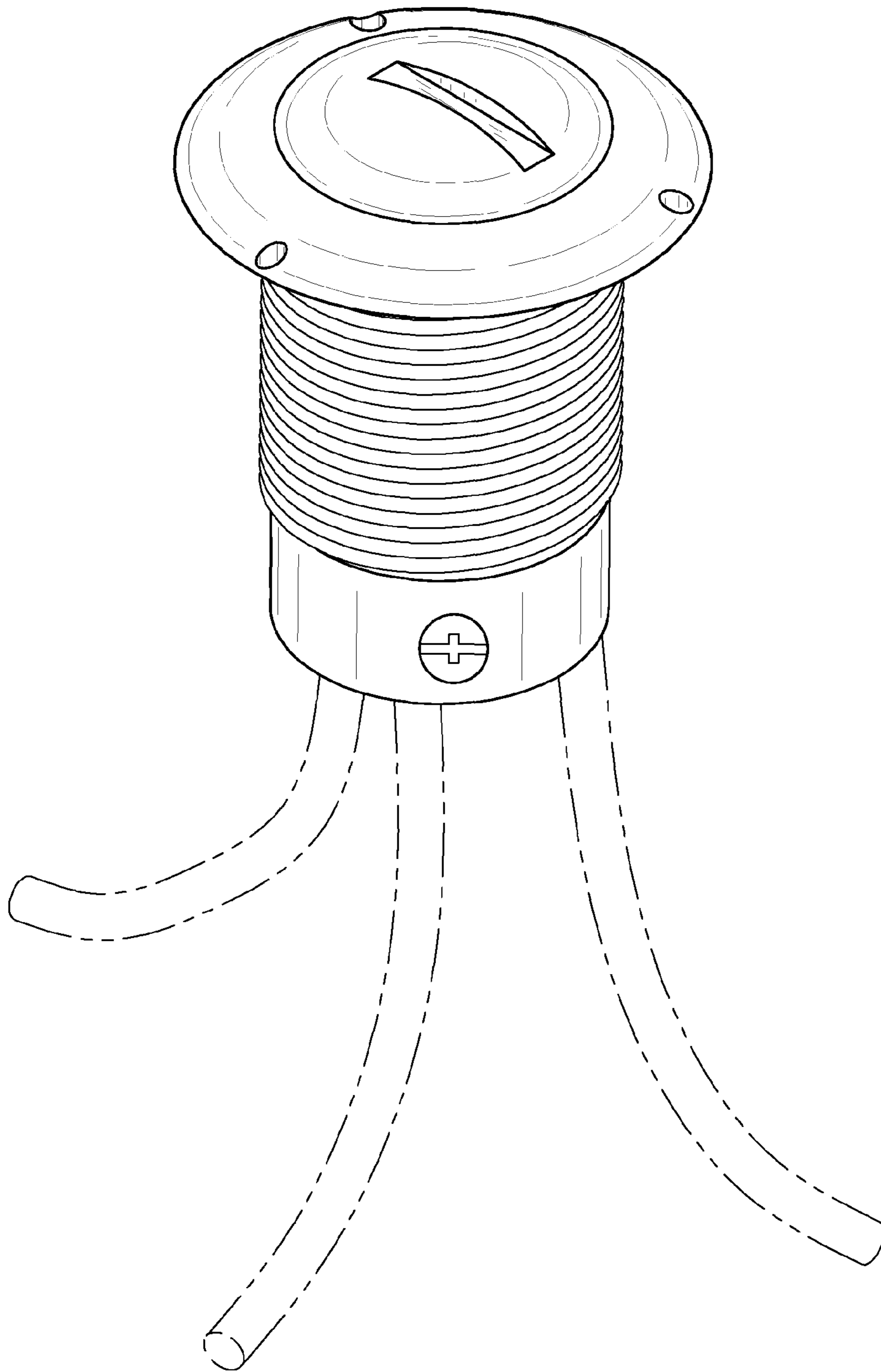


FIG. 6