

US00D625263S

(12) **United States Design Patent**
Takuma

(10) **Patent No.:** **US D625,263 S**
(45) **Date of Patent:** **** Oct. 12, 2010**

(54) **BATTERY**

(75) Inventor: **Tomoaki Takuma**, Tokyo (JP)

(73) Assignee: **Sony Corporation**, Tokyo (JP)

(**) Term: **14 Years**

(21) Appl. No.: **29/311,713**

(22) Filed: **Jun. 2, 2009**

(30) **Foreign Application Priority Data**

Dec. 24, 2008 (JP) D2008-032636
Dec. 24, 2008 (JP) D2008-032730
Jan. 5, 2009 (JP) D2009-000059

(51) **LOC (9) Cl.** **13-02**

(52) **U.S. Cl.** **D13/119**

(58) **Field of Classification Search** D13/102-106,
D13/110, 118-119, 184; 429/96-100, 163,
429/176

See application file for complete search history.

(56) **References Cited**

U.S. PATENT DOCUMENTS

D267,795 S * 2/1983 Mallon D13/119
D409,140 S * 5/1999 Endo D13/119
D431,808 S * 10/2000 Ogasawara D13/103
D485,530 S 1/2004 Ogasawara
D515,025 S * 2/2006 Yokota D13/103
D519,919 S * 5/2006 Yokota D13/103
D520,942 S * 5/2006 Yokota D13/103
D521,448 S * 5/2006 Yokota D13/103
D521,449 S * 5/2006 Yokota D13/103
D531,574 S * 11/2006 Yamada D13/103

D531,575 S * 11/2006 Yamada D13/103
D538,226 S * 3/2007 Lyman et al. D13/119
D554,579 S 11/2007 Ogasawara
D554,580 S 11/2007 Ogasawara
D558,140 S * 12/2007 Kumano D13/103
D571,288 S 6/2008 Tanaka
D580,350 S * 11/2008 Iseki D13/103
D580,850 S * 11/2008 Iseki D13/103
D591,673 S * 5/2009 Ogasawara D13/103
D603,330 S * 11/2009 Iseki D13/103

* cited by examiner

Primary Examiner—Rosemary K Tarcza

(74) *Attorney, Agent, or Firm*—Rader, Fishman & Grauer
PLLC

(57) **CLAIM**

The ornamental design for a battery, as shown and described.

DESCRIPTION

FIG. 1 is a perspective view of a rechargeable battery showing my new design;

FIG. 2 is a front elevational view thereof;

FIG. 3 is a rear elevational view thereof;

FIG. 4 is a left side elevational view thereof;

FIG. 5 is a right side elevational view thereof; and,

FIG. 6 is a top plan view thereof.

The portions that are shown in even broken lines are for illustrative purposes only and form no part of the claimed design. The dot-dash broken lines shown in drawings define, but are not included in, the boundaries of the claimed design.

1 Claim, 6 Drawing Sheets

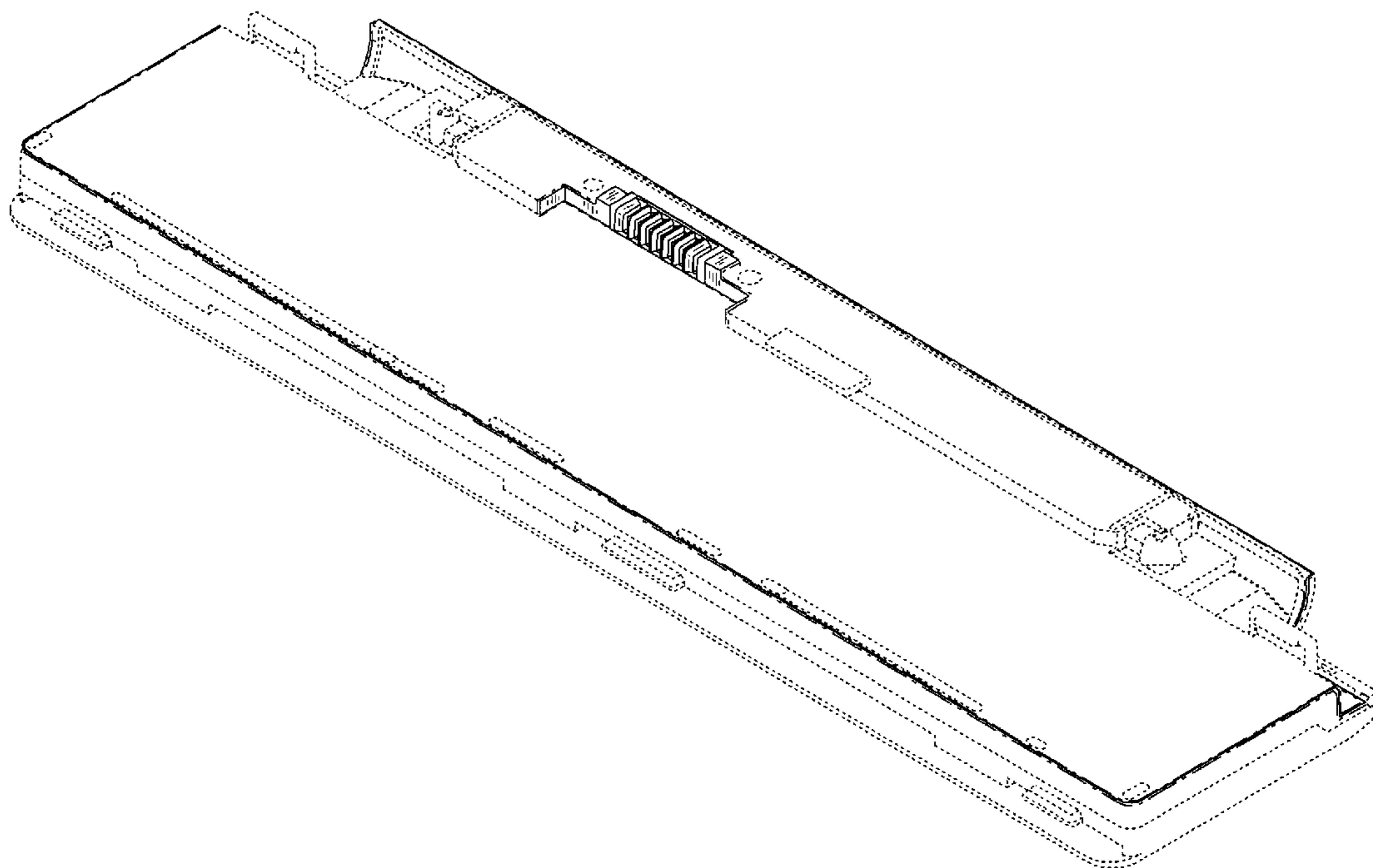


FIG.1

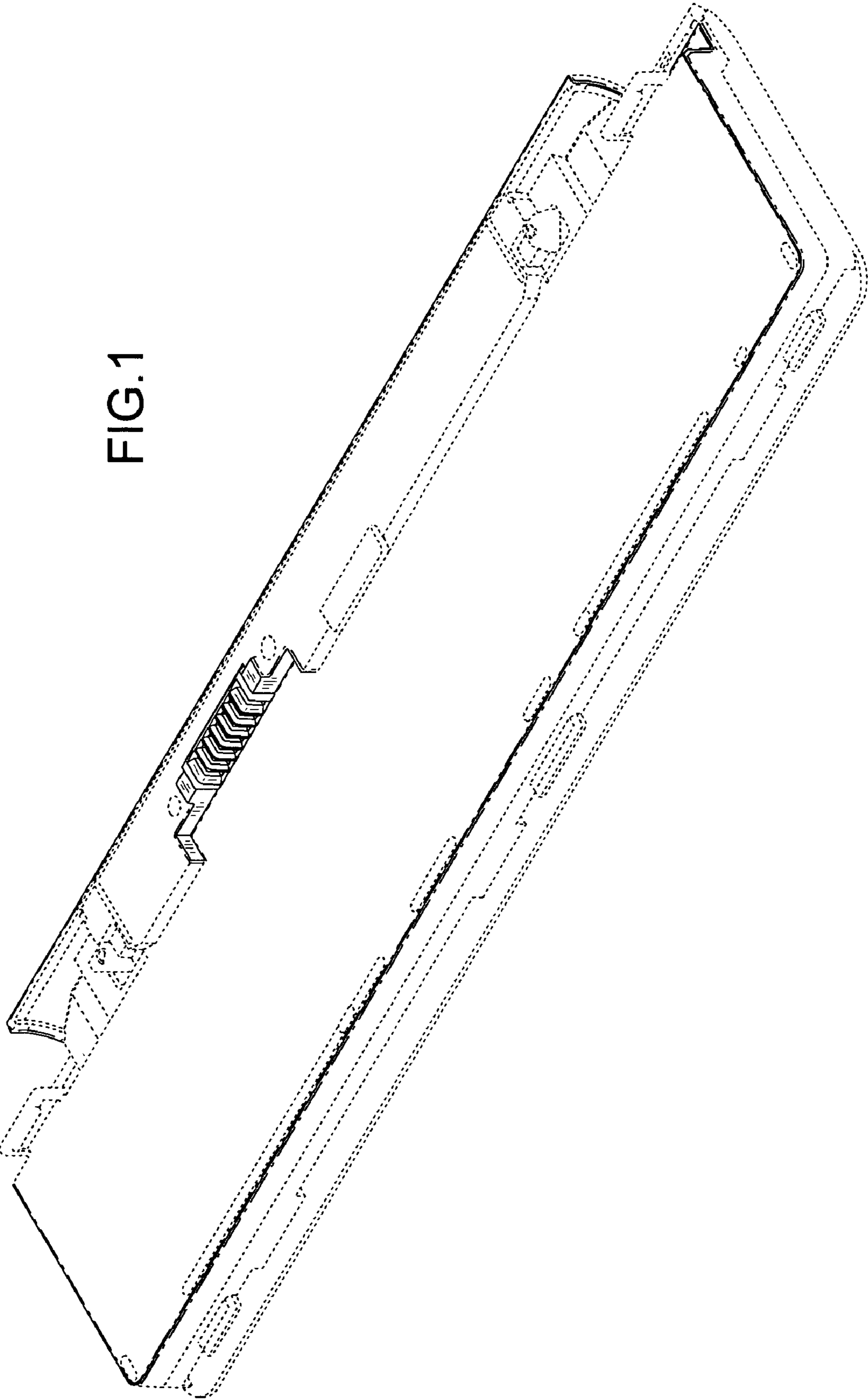


FIG. 2

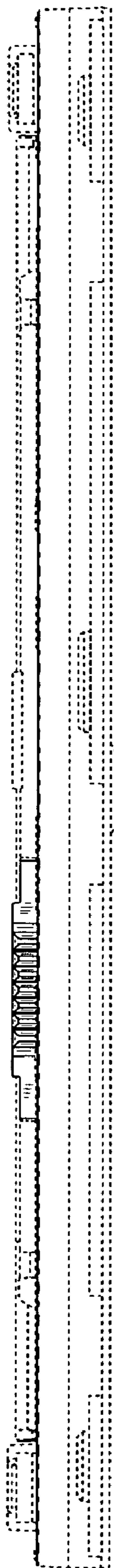


FIG. 3

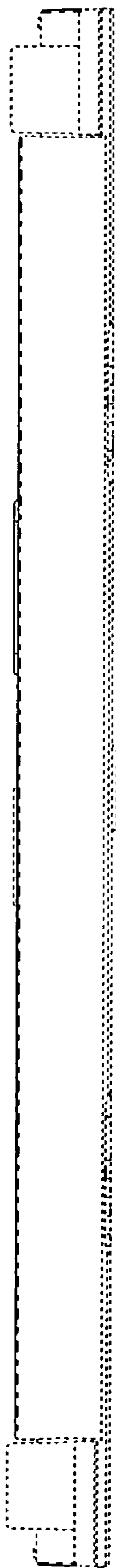


FIG. 4

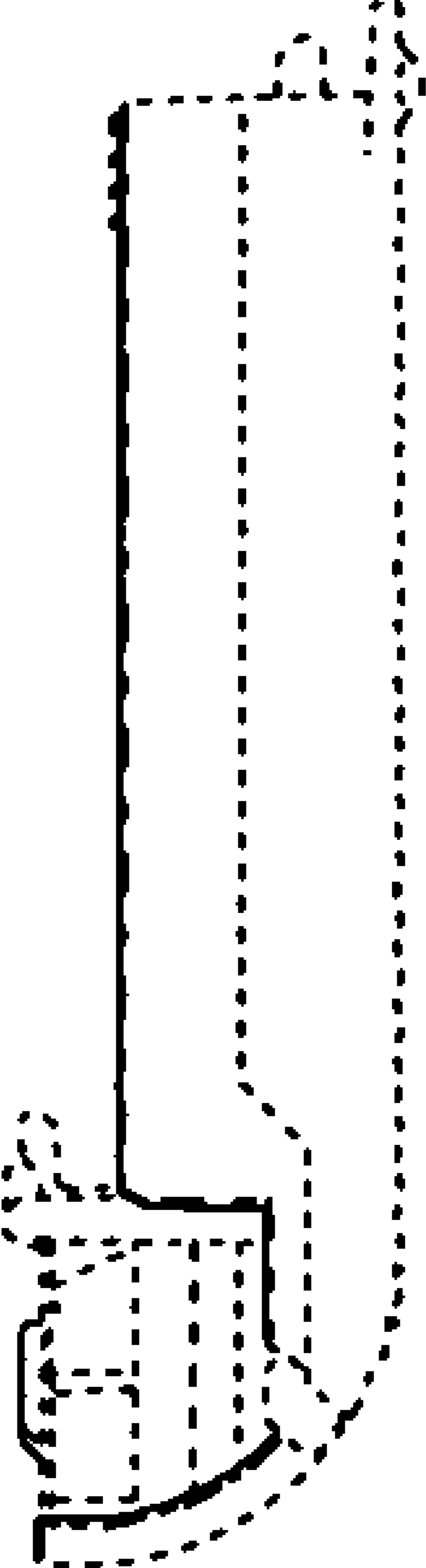


FIG. 5

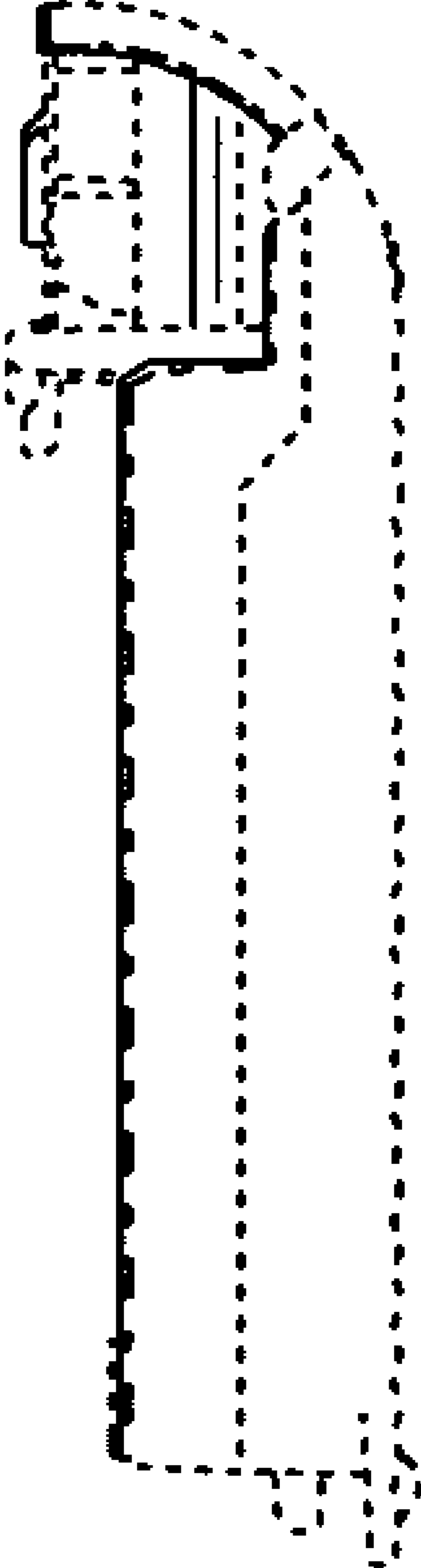


FIG.6

