



US00D625256S

(12) **United States Design Patent**
Oshimori et al.

(10) **Patent No.:** **US D625,256 S**
(45) **Date of Patent:** **** Oct. 12, 2010**

(54) **ELECTRIC MOTOR**

(75) Inventors: **Takao Oshimori**, Nagano Prefecture (JP); **Kouhei Yamaura**, Nagano Prefecture (JP); **Daisaku Furihata**, Nagano Prefecture (JP)

(73) Assignee: **Sanyo Denki Co., Ltd.**, Tokyo (JP)

(**) Term: **14 Years**

(21) Appl. No.: **29/345,324**

(22) Filed: **Oct. 14, 2009**

(30) **Foreign Application Priority Data**

Apr. 14, 2009 (JP) 2009-008532

(51) **LOC (9) Cl.** **13-01**

(52) **U.S. Cl.** **D13/112**

(58) **Field of Classification Search** D13/112,
D13/101, 113, 114, 118, 122, 199; D15/5;
29/596-598; 310/40 R, 42, 43, 58, 85, 88,
310/89, 90, 91; 322/16, 39

See application file for complete search history.

(56) **References Cited**

U.S. PATENT DOCUMENTS

4,244,098	A *	1/1981	Barcus	29/596
D287,715	S *	1/1987	Pittman et al.	D13/112
4,933,582	A *	6/1990	Hata et al.	310/154.14
4,988,905	A *	1/1991	Tolmie, Jr.	310/68 B
D336,890	S *	6/1993	Hirose et al.	D13/112
D397,992	S *	9/1998	Shimomura et al.	D13/112
D424,516	S *	5/2000	Friedrichsen	D13/112
D457,493	S *	5/2002	Borges	D13/112
D462,937	S *	9/2002	Nord	D13/112
D511,138	S *	11/2005	Kwan	D13/112
D525,195	S *	7/2006	Palese	D13/112

D557,210 S * 12/2007 Liu D13/112

* cited by examiner

Primary Examiner—Prabhakar Deshmukh

Assistant Examiner—Derrick Holland

(74) *Attorney, Agent, or Firm*—Rankin, Hill & Clark LLP

(57) **CLAIM**

We claim the ornamental design for an electric motor, as shown and described.

DESCRIPTION

FIG. 1 is a front side elevation view of an electric motor embodying our design;

FIG. 2 is a rear side elevation view of the electric motor shown in FIG. 1;

FIG. 3 is a right side elevation view of the electric motor shown in FIG. 1;

FIG. 4 is a left side elevation view of the electric motor shown in FIG. 1;

FIG. 5 is a top plan view of the electric motor shown in FIG. 1;

FIG. 6 is a bottom plan view of the electric motor shown in FIG. 1;

FIG. 7 is a front perspective view of the electric motor shown in FIG. 1; and,

FIG. 8 is a rear perspective view of the electric motor shown in FIG. 1.

The broken lines shown represent unclaimed subject matter and form no part of the claim. Where broken lines abut a claimed surface it is understood that those broken lines represent an unclaimed boundary between claimed and unclaimed surfaces. None of the broken lines form any part of the claimed design.

1 Claim, 8 Drawing Sheets

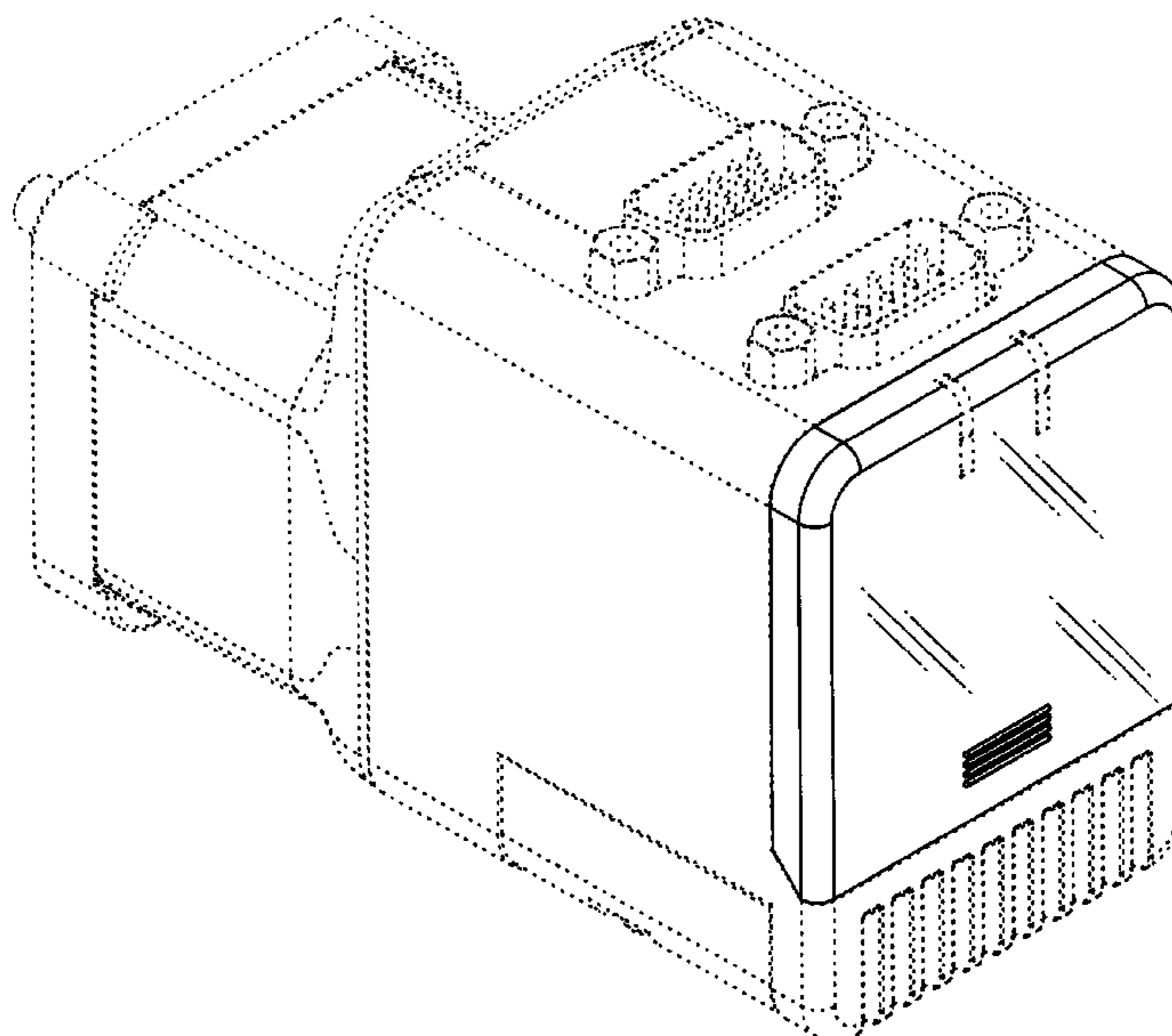


FIG. 1

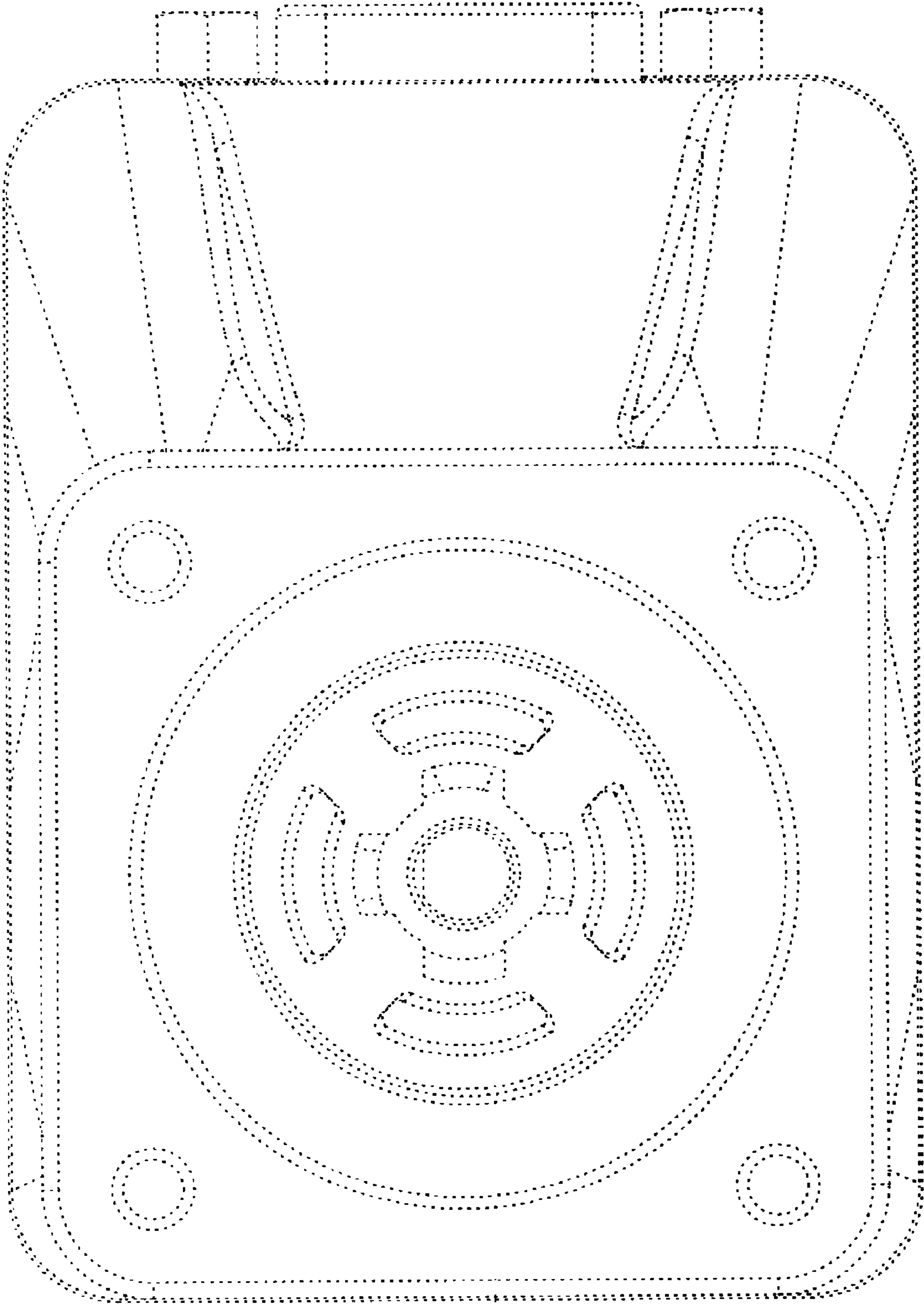


FIG.2

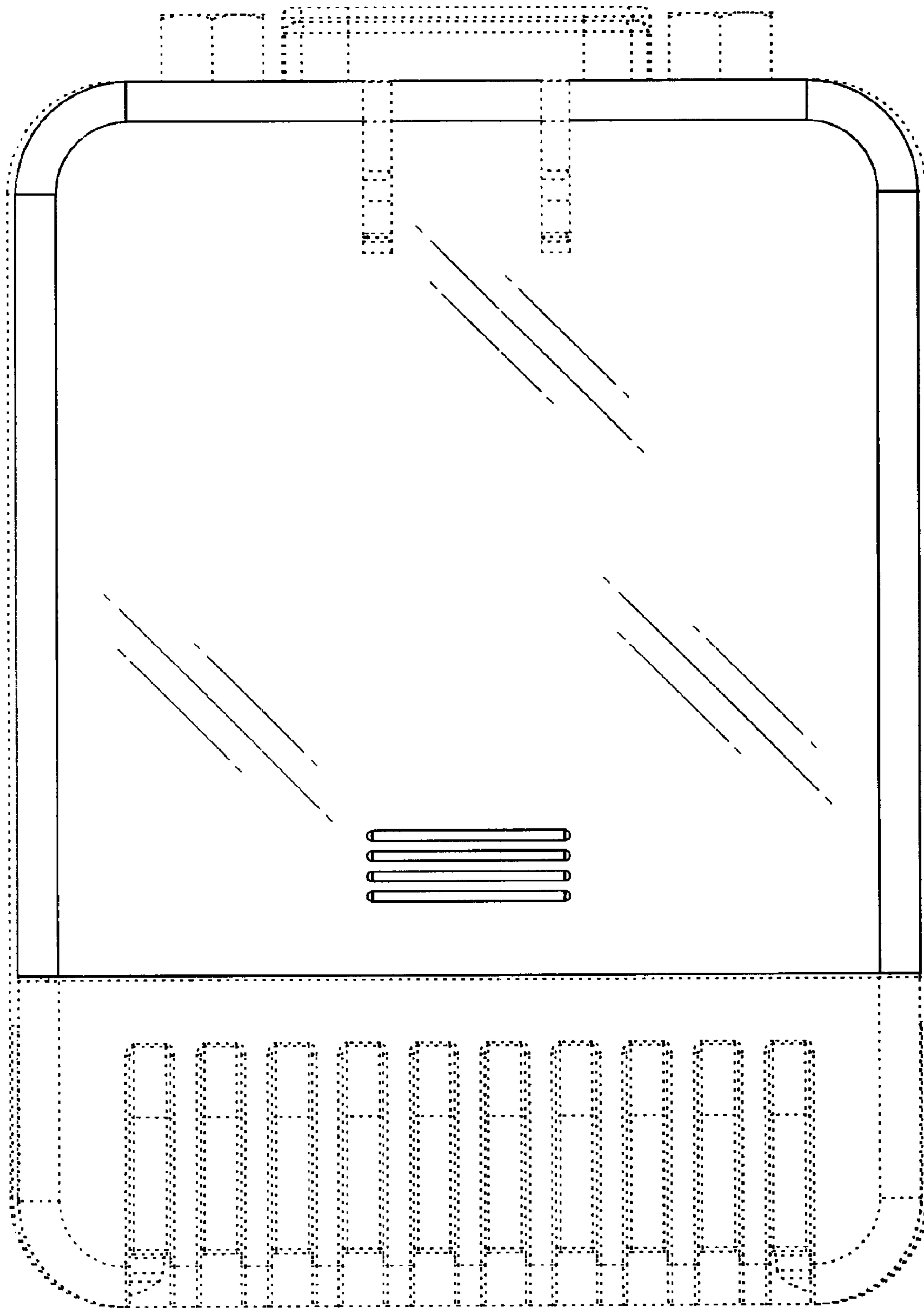


FIG.3

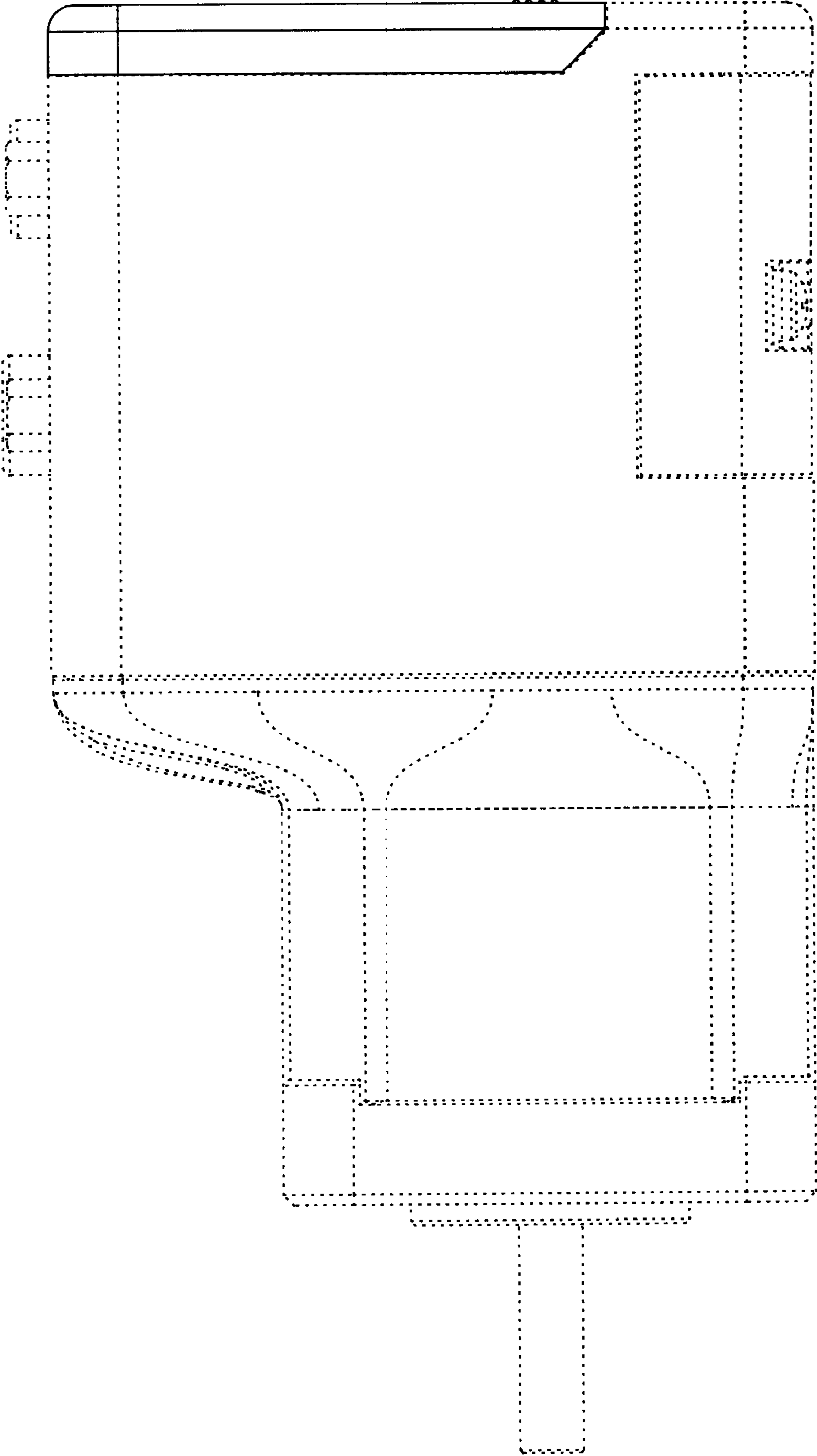


FIG. 4

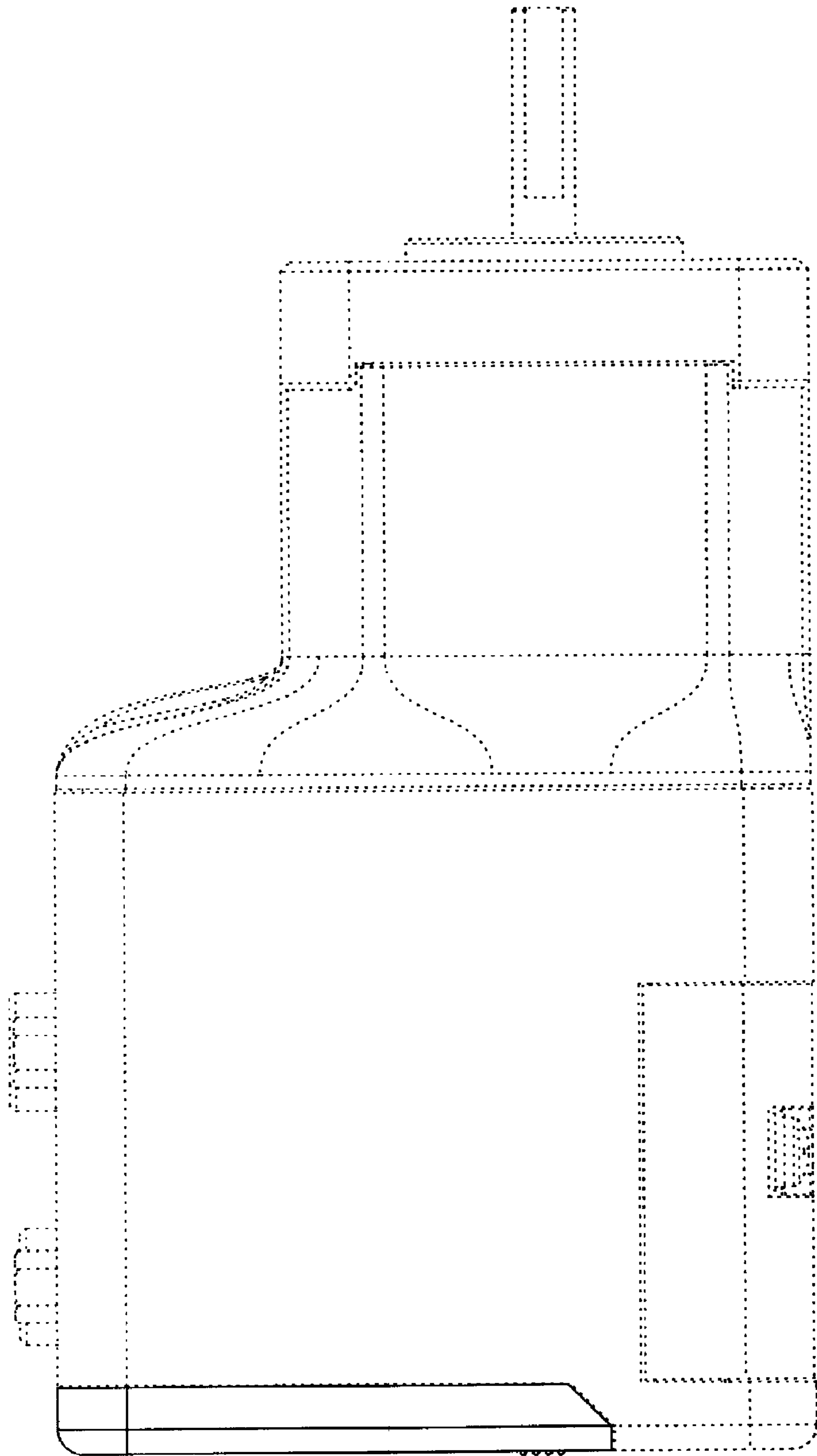


FIG. 5

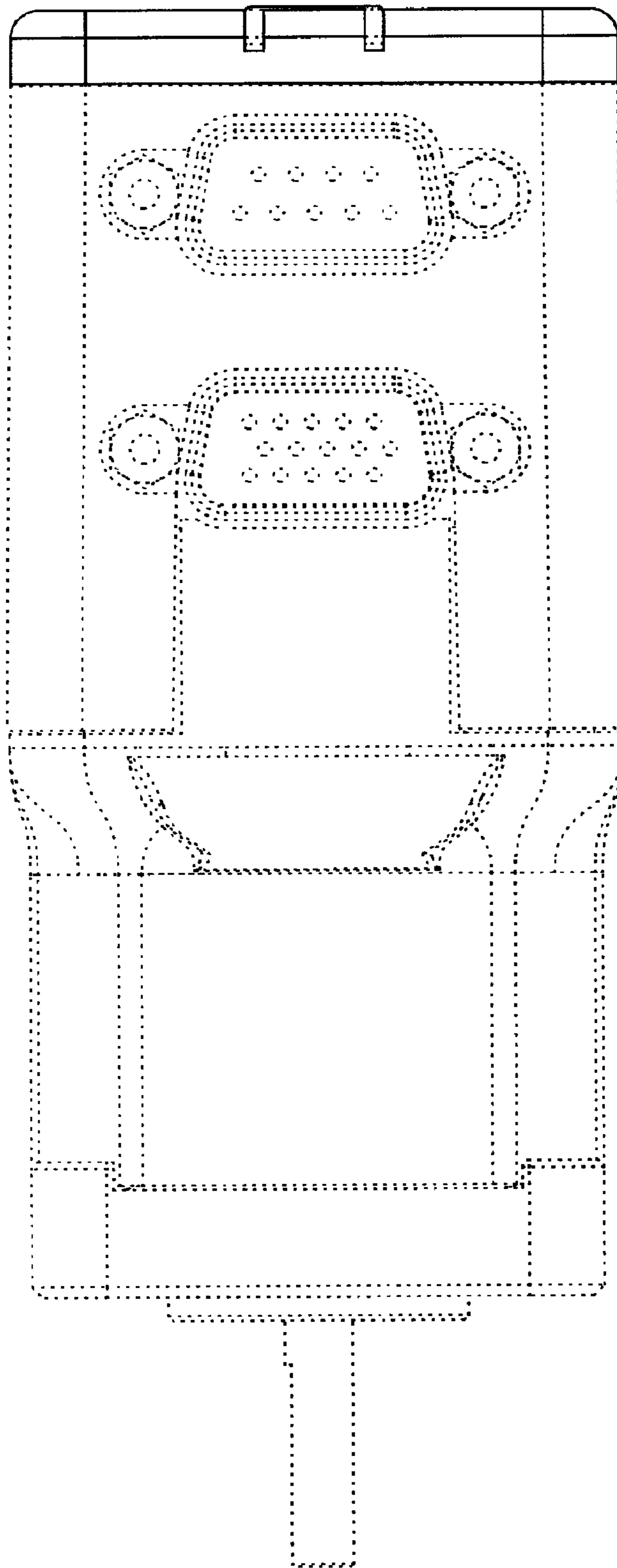


FIG.6

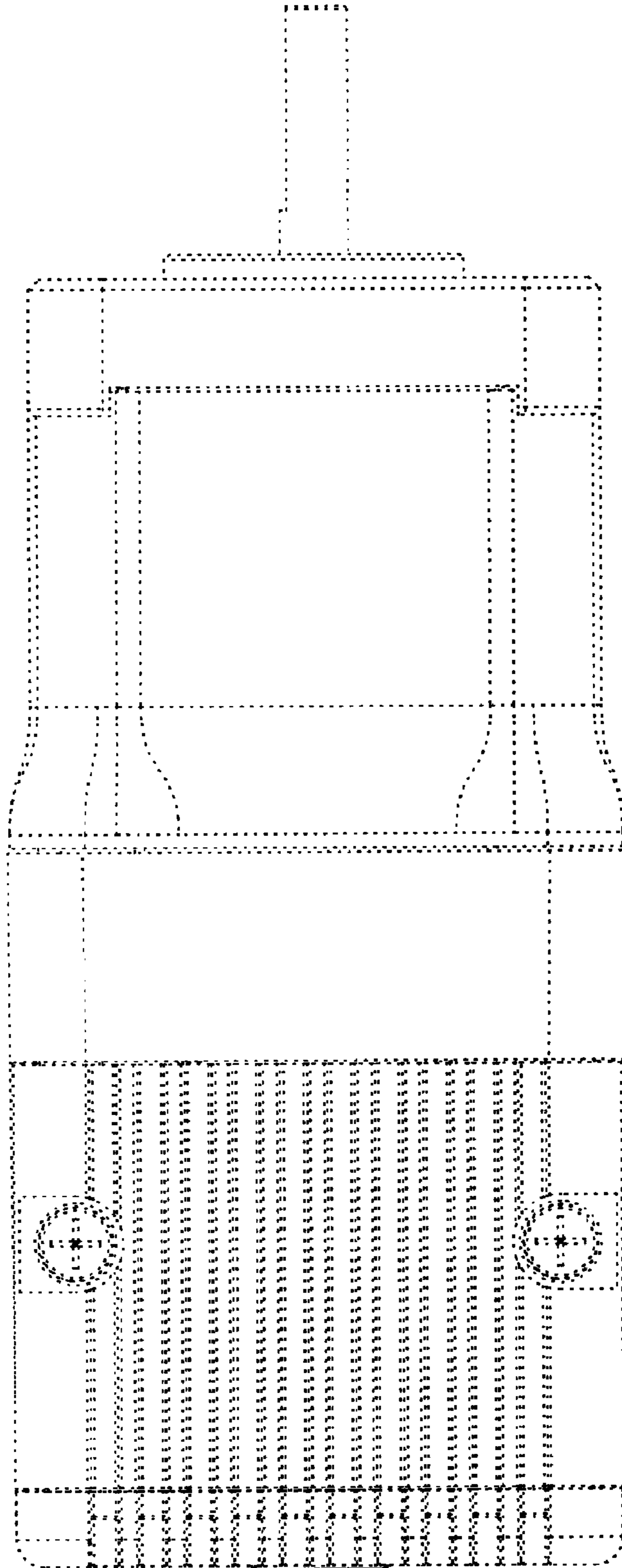


FIG. 7

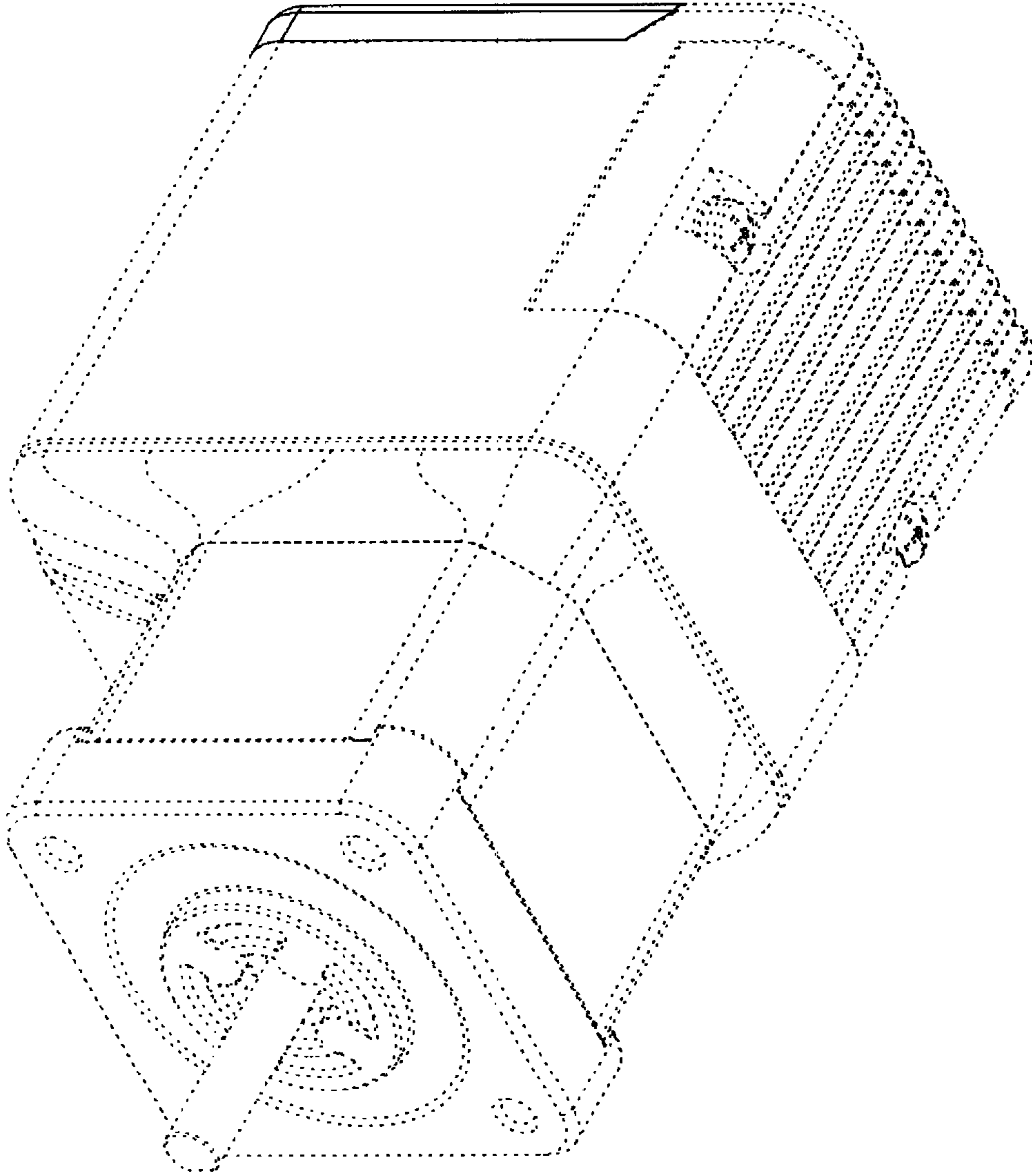


FIG. 8

