



US00D625255S

(12) **United States Design Patent**
DuMelle et al.

(10) **Patent No.:** **US D625,255 S**

(45) **Date of Patent:** **** Oct. 12, 2010**

(54) **BATTERY CHARGER**

D594,405 S * 6/2009 Murray et al. D13/107
D609,634 S * 2/2010 Daniels et al. D13/107

(75) Inventors: **Barbara Margaret DuMelle**, Niles, IL (US); **Christopher Michael Kubik**, Chicago, IL (US); **Patrick J. Clarke**, St. Charles, IL (US); **Samuel Weisbard**, Highland Park, IL (US); **Joseph J. Zenkus**, Lake in the Hills, IL (US); **Mark Kurth**, Chicago, IL (US); **Timothy Payne**, Chicago, IL (US); **Adam Callif**, Chicago, IL (US)

(73) Assignee: **Schumacher Electric Corporation**, Mt. Prospect, IL (US)

(**) Term: **14 Years**

(21) Appl. No.: **29/354,853**

(22) Filed: **Jan. 29, 2010**

(51) **LOC (9) Cl.** **13-02**

(52) **U.S. Cl.** **D13/107**

(58) **Field of Classification Search** D13/107-110,
D13/118-119, 184, 199; D14/251, 253,
D14/432, 434; 320/107-115

See application file for complete search history.

(56) **References Cited**

U.S. PATENT DOCUMENTS

D486,446 S * 2/2004 Hriscu et al. D13/110
D506,724 S * 6/2005 Hriscu et al. D13/107
D511,491 S * 11/2005 Hriscu et al. D13/107
D527,340 S * 8/2006 Christiani et al. D13/107
D530,271 S * 10/2006 Hriscu et al. D13/107
D530,272 S * 10/2006 Hulden D13/107
D532,748 S * 11/2006 Disbennett et al. D13/110
D537,410 S * 2/2007 Yuen D13/110
D585,822 S * 2/2009 Hsu D13/107

OTHER PUBLICATIONS

U.S. Appl. No. 29/354,879, filed Jan. 29, 2010, Barbara M. DuMelle.
U.S. Appl. No. 29/354,859, filed Jan. 29, 2010, Barbara M. DuMelle.
U.S. Appl. No. 29/354,851, filed Jan. 29, 2010, Barbara M. DuMelle.
U.S. Appl. No. 29/354,897, filed Jan. 29, 2010, Barbara M. DuMelle.

(Continued)

Primary Examiner—Rosemary K Tarca

(74) *Attorney, Agent, or Firm*—John S. Paniaguas; Katten Muchin Rosenman LLP

(57) **CLAIM**

The ornamental design for the battery charger, as shown.

DESCRIPTION

FIG. 1 is a front isometric view of a battery charger in accordance with one embodiment of the present invention.

FIG. 2 is a rear isometric view of the battery charger illustrated in FIG. 1.

FIG. 3 is a right side elevation view of the battery charger illustrated in FIG. 1.

FIG. 4 is a front elevation view of the battery charger illustrated in FIG. 1.

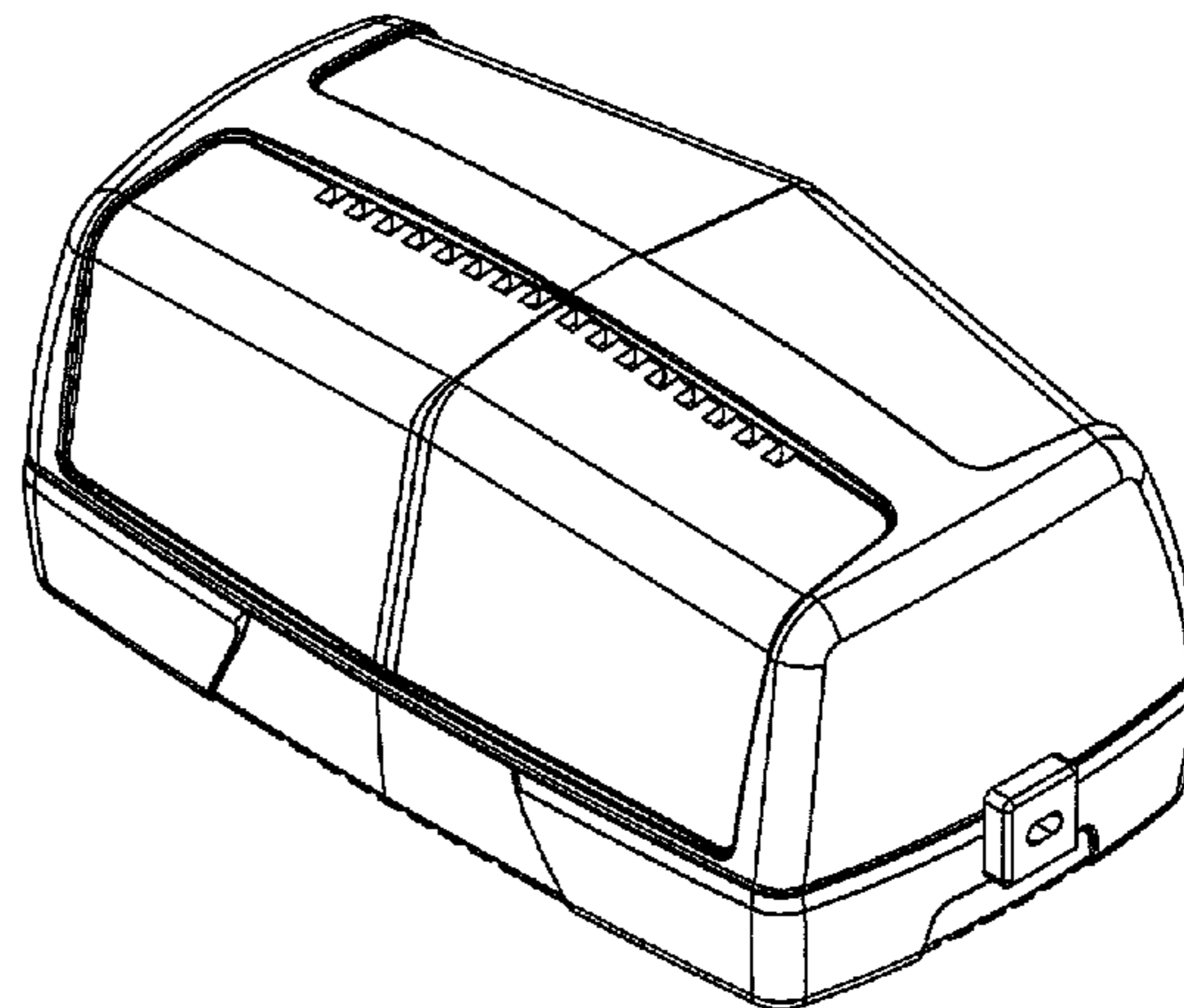
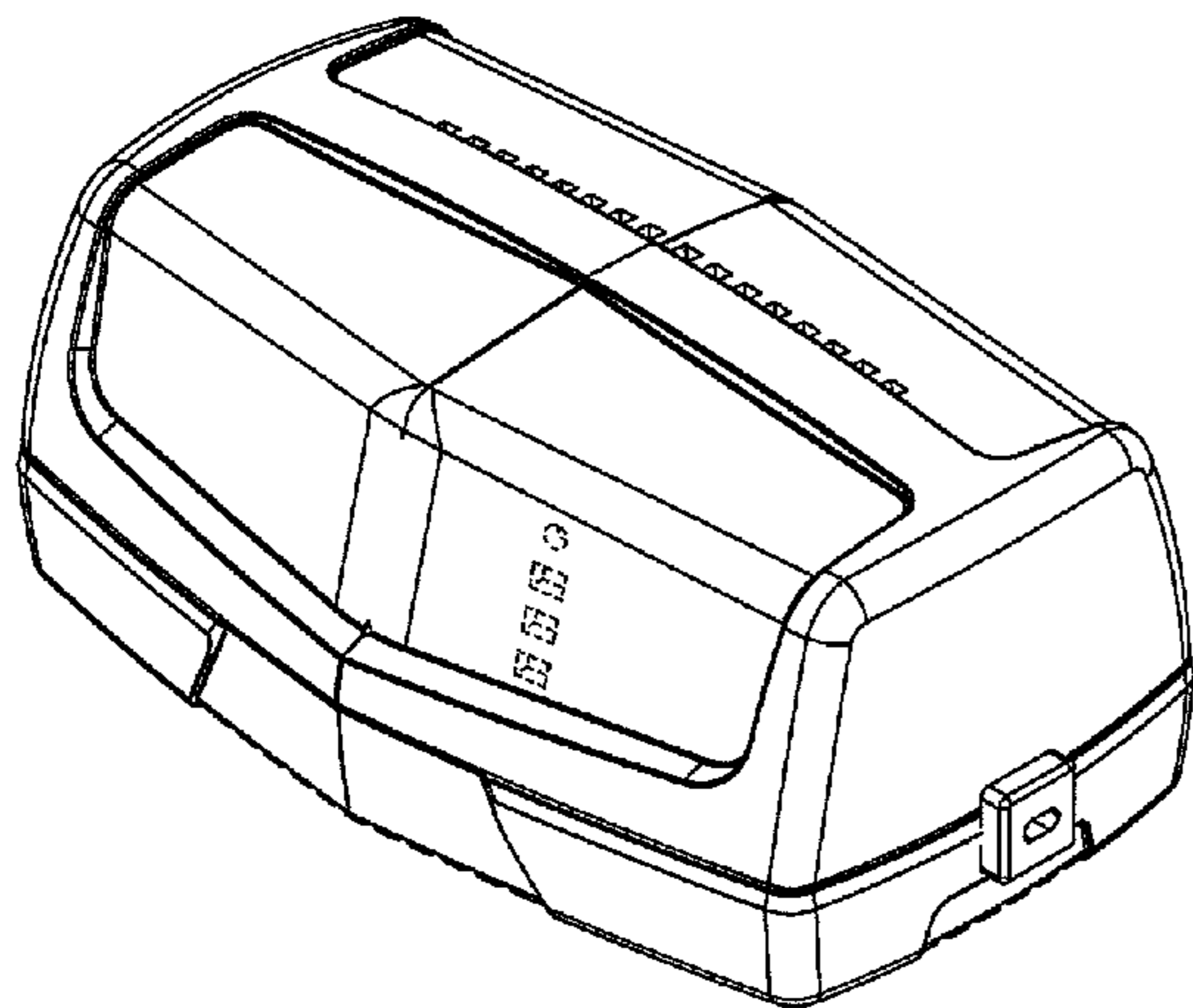
FIG. 5 is a left side elevation view of the battery charger illustrated in FIG. 1.

FIG. 6 is a rear elevation view of the battery charger illustrated in FIG. 1.

FIG. 7 is a top plan view of the battery charger illustrated in FIG. 1; and,

FIG. 8 is a bottom plan view of the battery charger illustrated in FIG. 1.

1 Claim, 4 Drawing Sheets



US D625,255 S

Page 2

OTHER PUBLICATIONS

U.S. Appl. No. 29/354,887, filed Jan. 29, 2010, Barbara M. DuMelle.
U.S. Appl. No. 29/356,065, filed Feb. 19, 2010, Barbara M. DuMelle.

U.S. Appl. No. 29/354,902, filed Jan. 29, 2010, Barbara M. DuMelle.

* cited by examiner

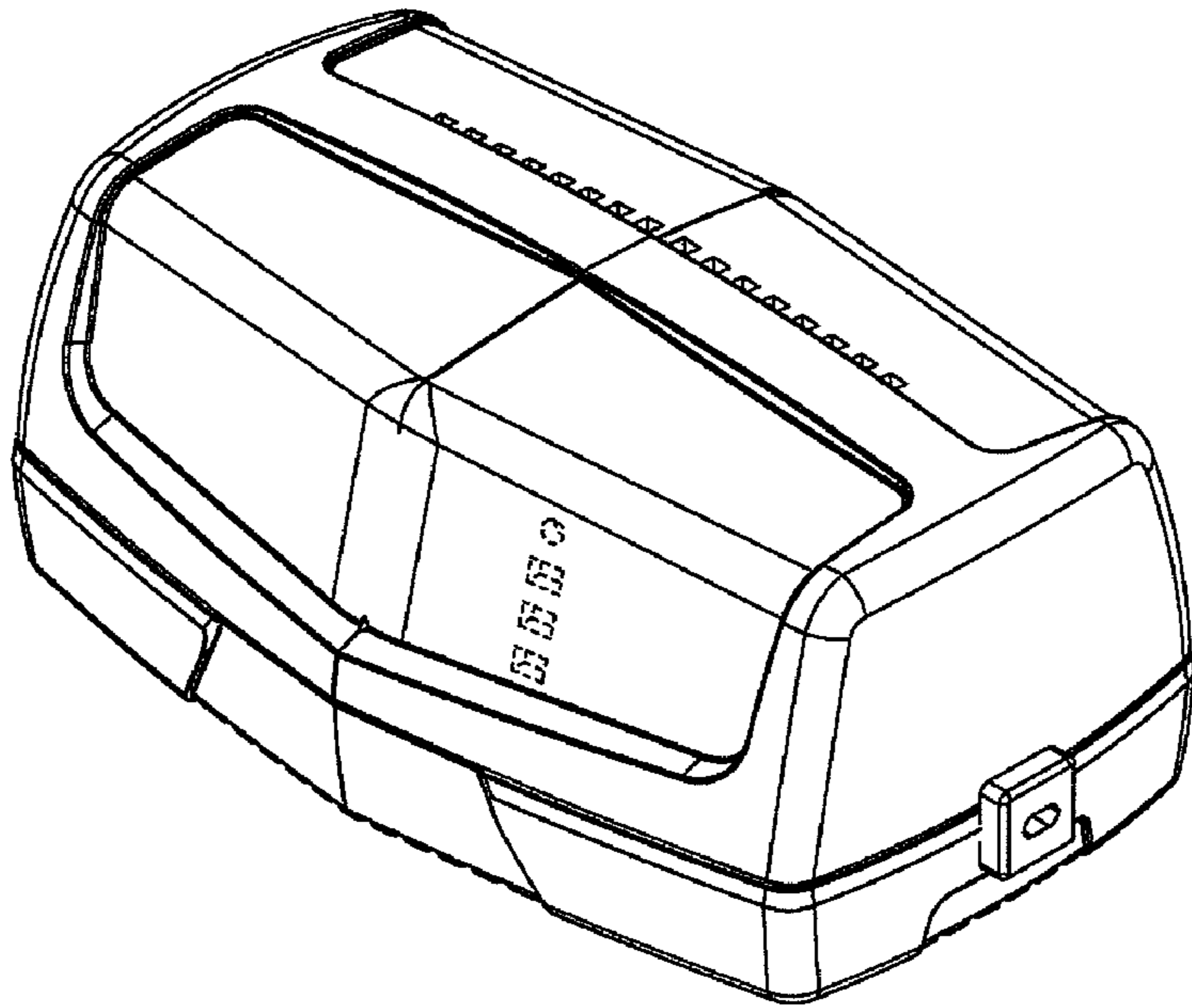


Fig. 1

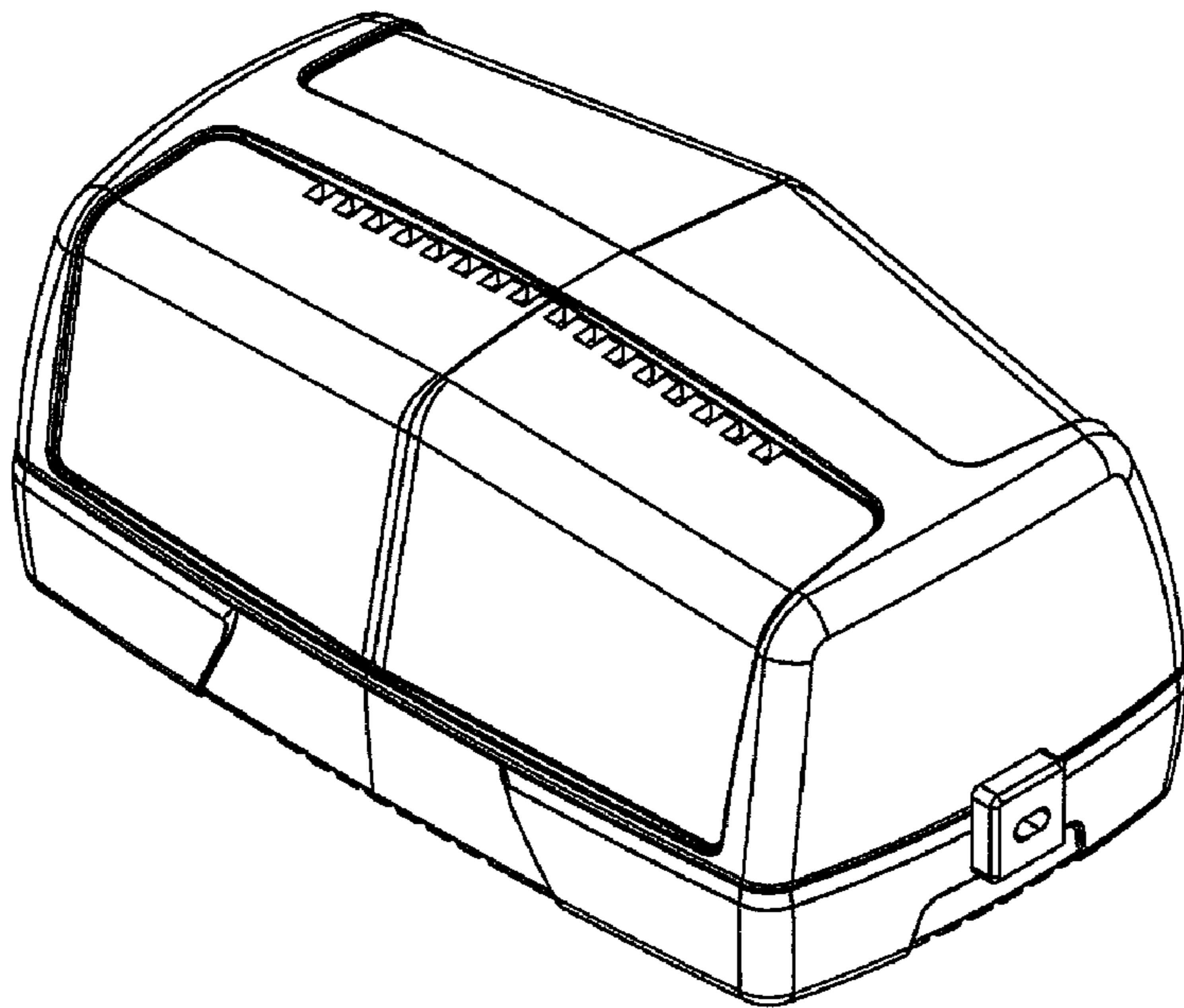


Fig. 2

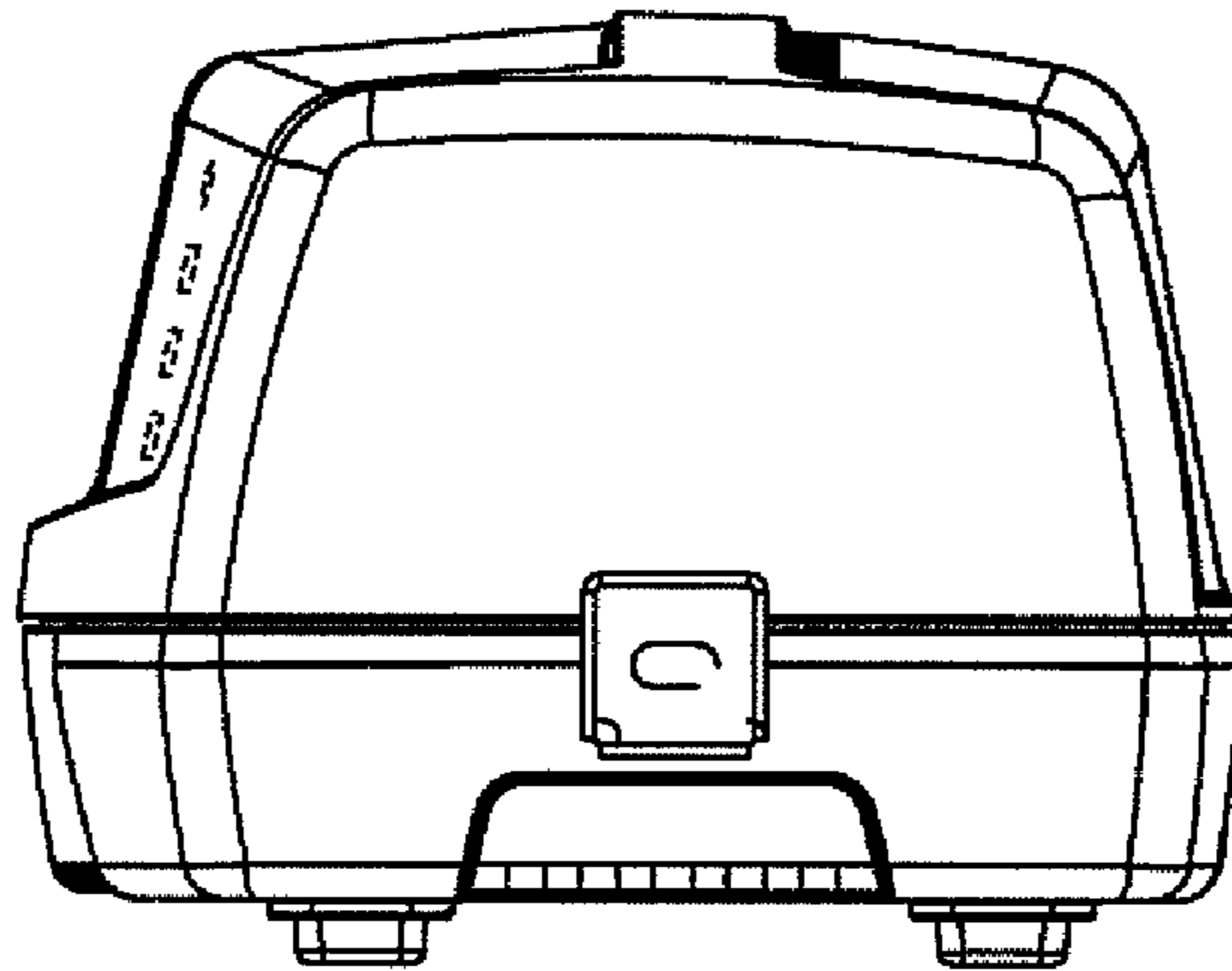


Fig. 3

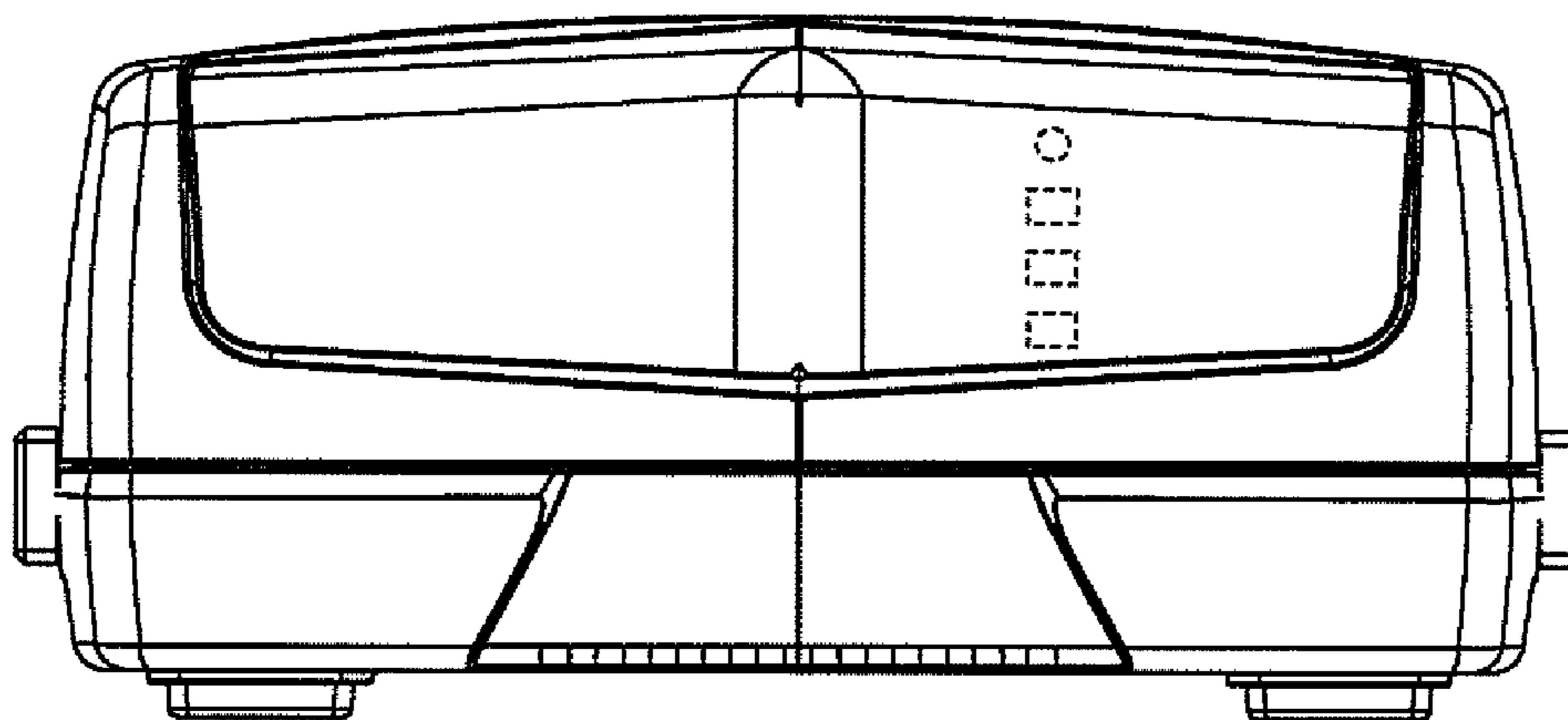


Fig. 4

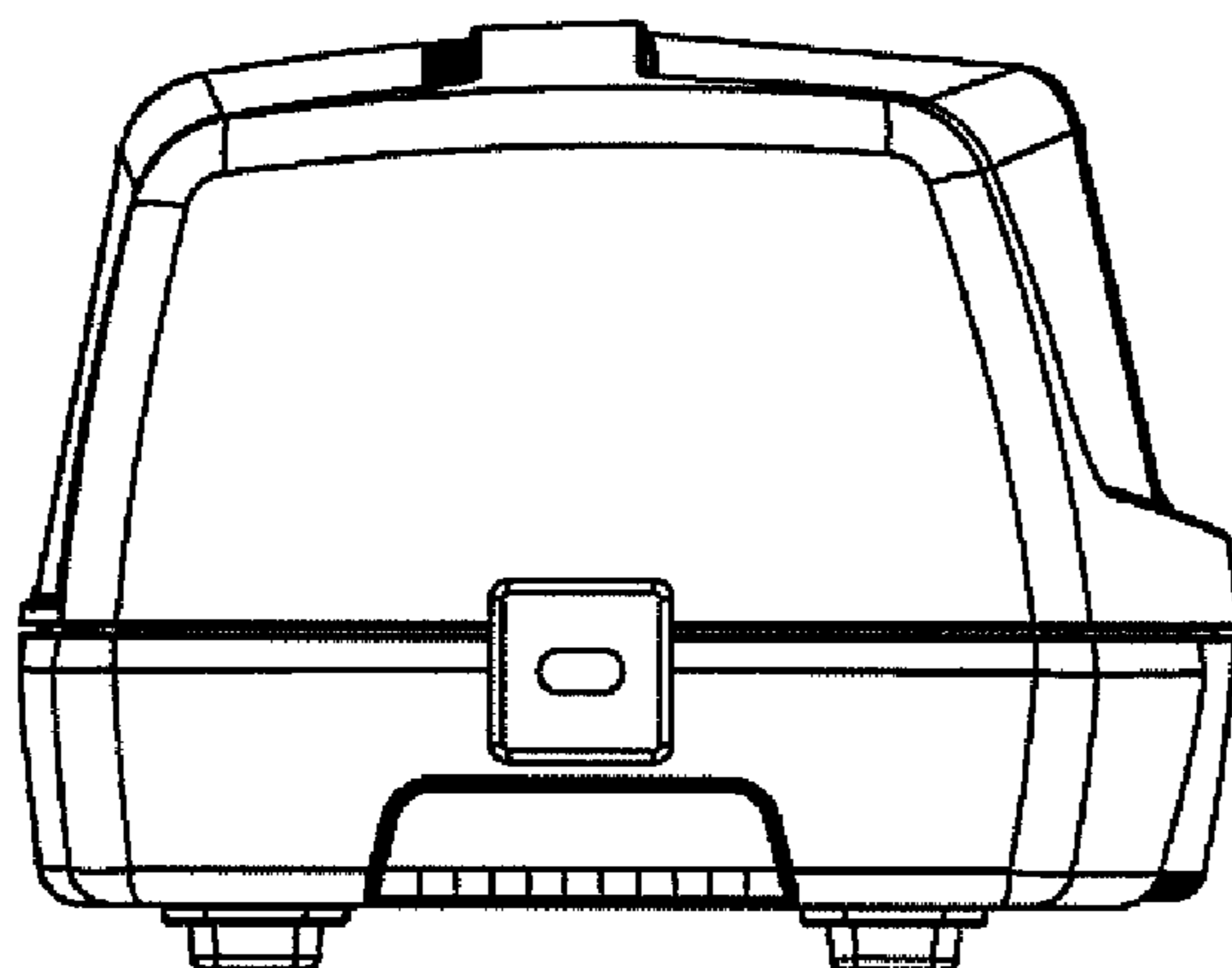


Fig. 5

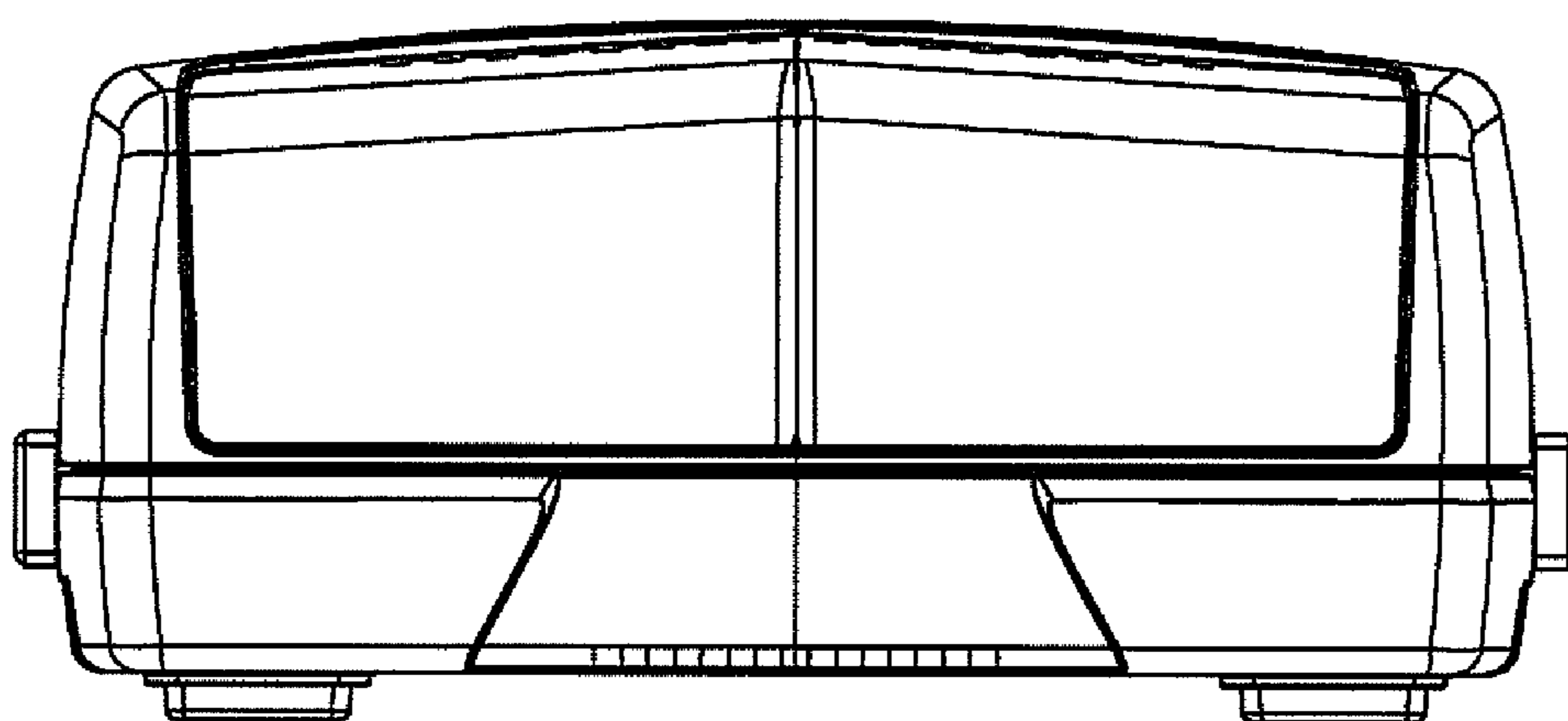


Fig. 6

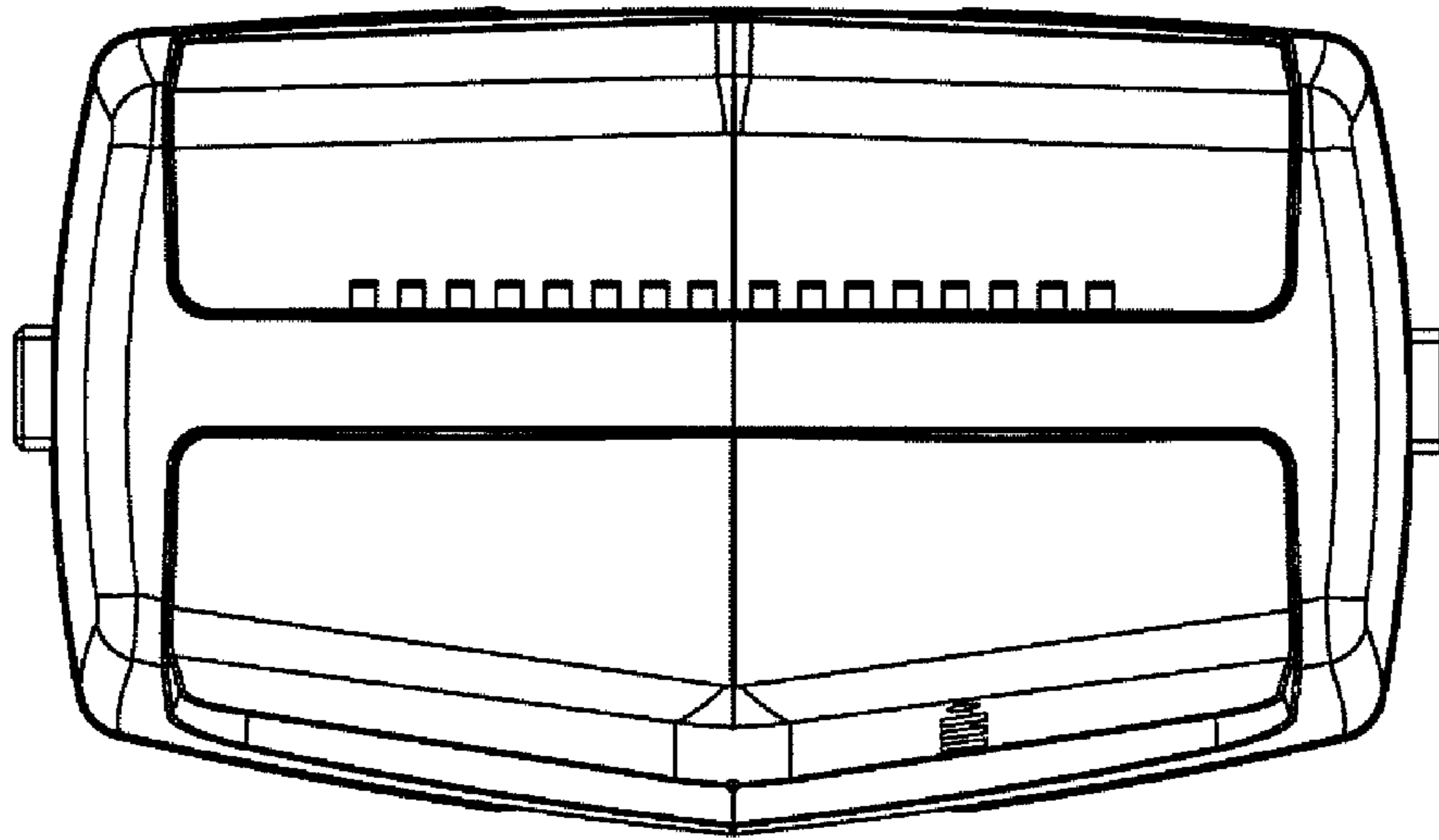


Fig. 7

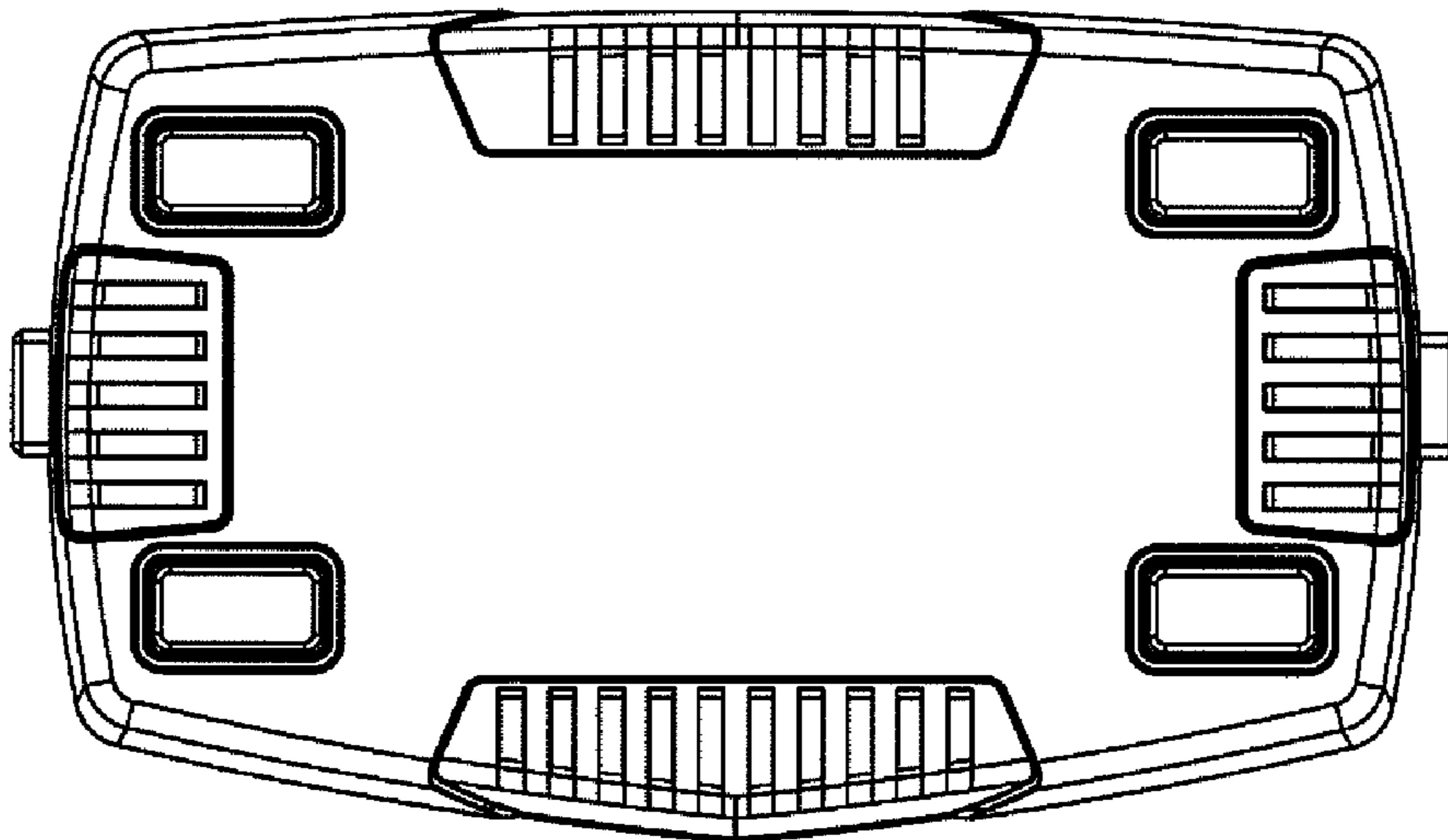


Fig. 8