



US00D625254S

(12) **United States Design Patent**
Mack et al.

(10) **Patent No.:** **US D625,254 S**
(45) **Date of Patent:** **** Oct. 12, 2010**

(54) **BATTERY**
(75) Inventors: **Robert J. Mack**, Milwaukee, WI (US);
Glenn W. Andersen, Hartford, WI (US)

(73) Assignee: **Johnson Controls Technology Company**, Holland, MI (US)

(**) Term: **14 Years**

(21) Appl. No.: **29/357,403**

(22) Filed: **Mar. 11, 2010**

(51) **LOC (9) Cl.** **13-02**

(52) **U.S. Cl.** **D13/104**

(58) **Field of Classification Search** D13/102–106,
D13/110, 118–119, 184, 199; 429/96–100,
429/163, 176

See application file for complete search history.

(56) **References Cited**

U.S. PATENT DOCUMENTS

D64,969 S *	6/1924	Glidden	D13/106
D67,258 S *	5/1925	Bello	D13/106
D68,262 S *	9/1925	Klug	D13/106
D70,400 S *	6/1926	Campbell	D13/106
D75,446 S *	6/1928	Rieser	D13/106
2,724,360 A *	11/1955	Crookshank	116/228
D188,421 S *	7/1960	Slautterback	D13/104
3,105,909 A *	10/1963	Jones	307/10.1
D252,354 S	7/1979	Uyeda		
D266,757 S *	11/1982	Campbell et al.	D13/106
D292,576 S *	11/1987	Kump et al.	D13/106
D298,029 S	10/1988	Foster		
D310,821 S *	9/1990	Hulsebus et al.	D13/104

5,686,202 A	11/1997	Hooke et al.		
5,998,062 A	12/1999	Olson		
D458,900 S	6/2002	Carter et al.		
D462,656 S	9/2002	Degen et al.		
D491,138 S	6/2004	Minato		
6,929,882 B1	8/2005	Carter		
D517,479 S *	3/2006	Schemm	D13/119
D517,987 S	3/2006	Castagnola et al.		
D527,344 S *	8/2006	Rajpara et al.	D13/119
D553,565 S *	10/2007	Kawakita et al.	D13/119
D614,126 S *	4/2010	Chen	D13/104

* cited by examiner

Primary Examiner—Rosemary K Tarcza

(74) *Attorney, Agent, or Firm*—Lathrop & Clark LLP

(57) **CLAIM**

The ornamental design for a battery, as shown and described.

DESCRIPTION

FIG. 1 is a top isometric view of the battery according to an exemplary embodiment;

FIG. 2 is a first side elevation view thereof;

FIG. 3 is a first end elevation view thereof;

FIG. 4 is a second side elevation view thereof;

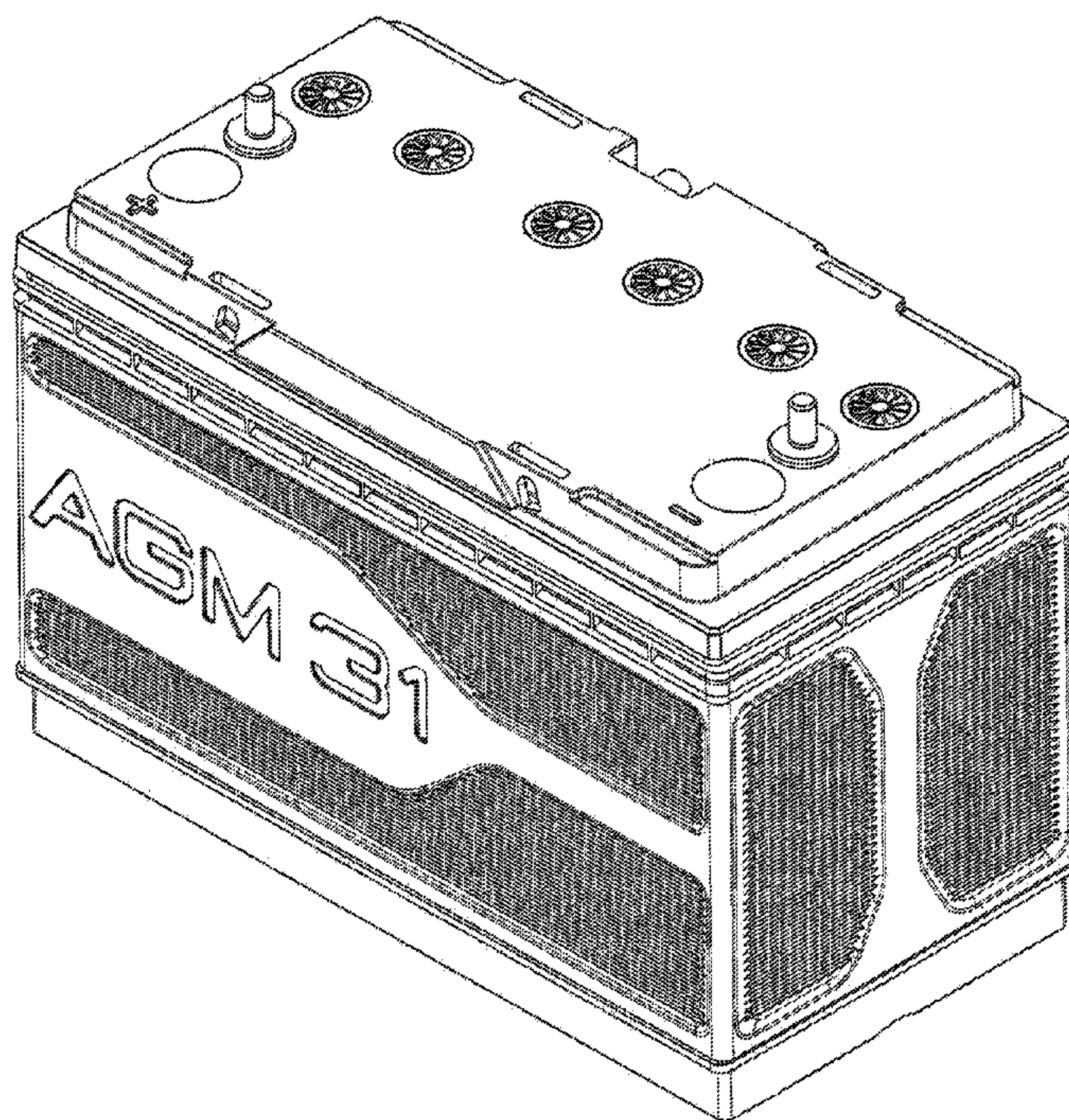
FIG. 5 is a second end elevation view thereof;

FIG. 6 is a top plan view thereof; and,

FIG. 7 is a bottom plan view thereof.

The broken lines shown in FIG. 7 are for illustrative purposes only, and form no part of the claimed design.

1 Claim, 7 Drawing Sheets



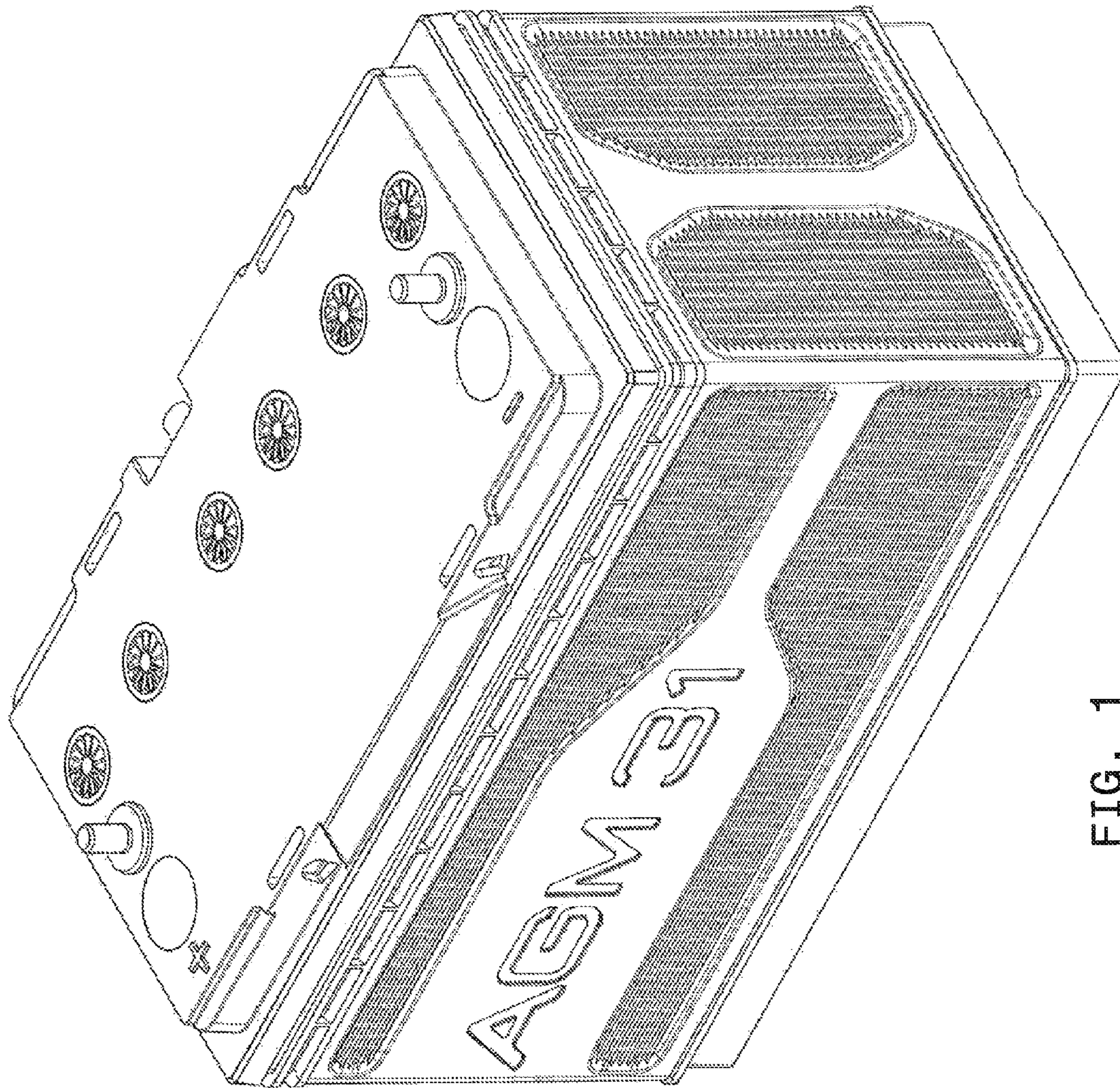


FIG. 1

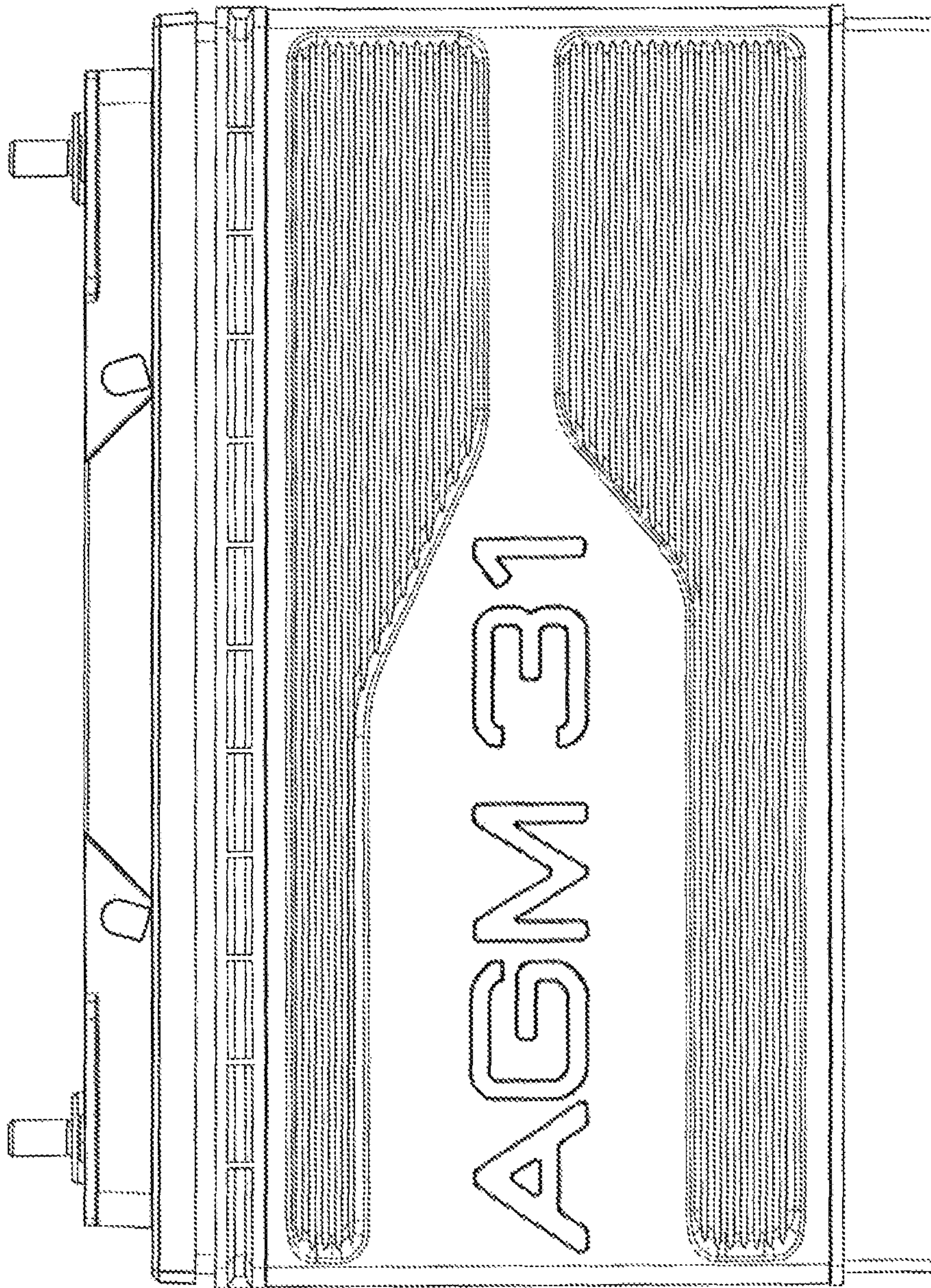


FIG. 2

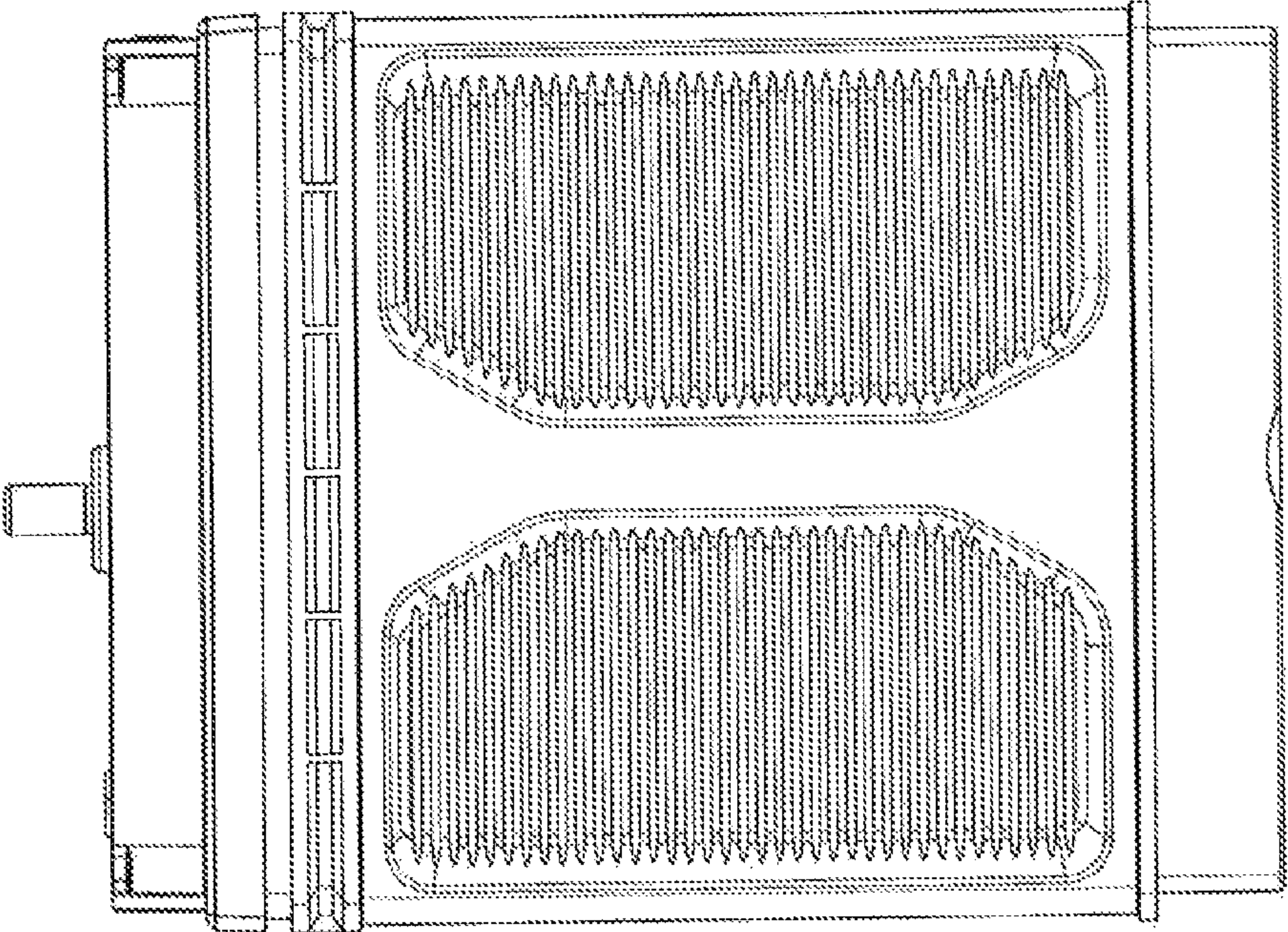


FIG. 3

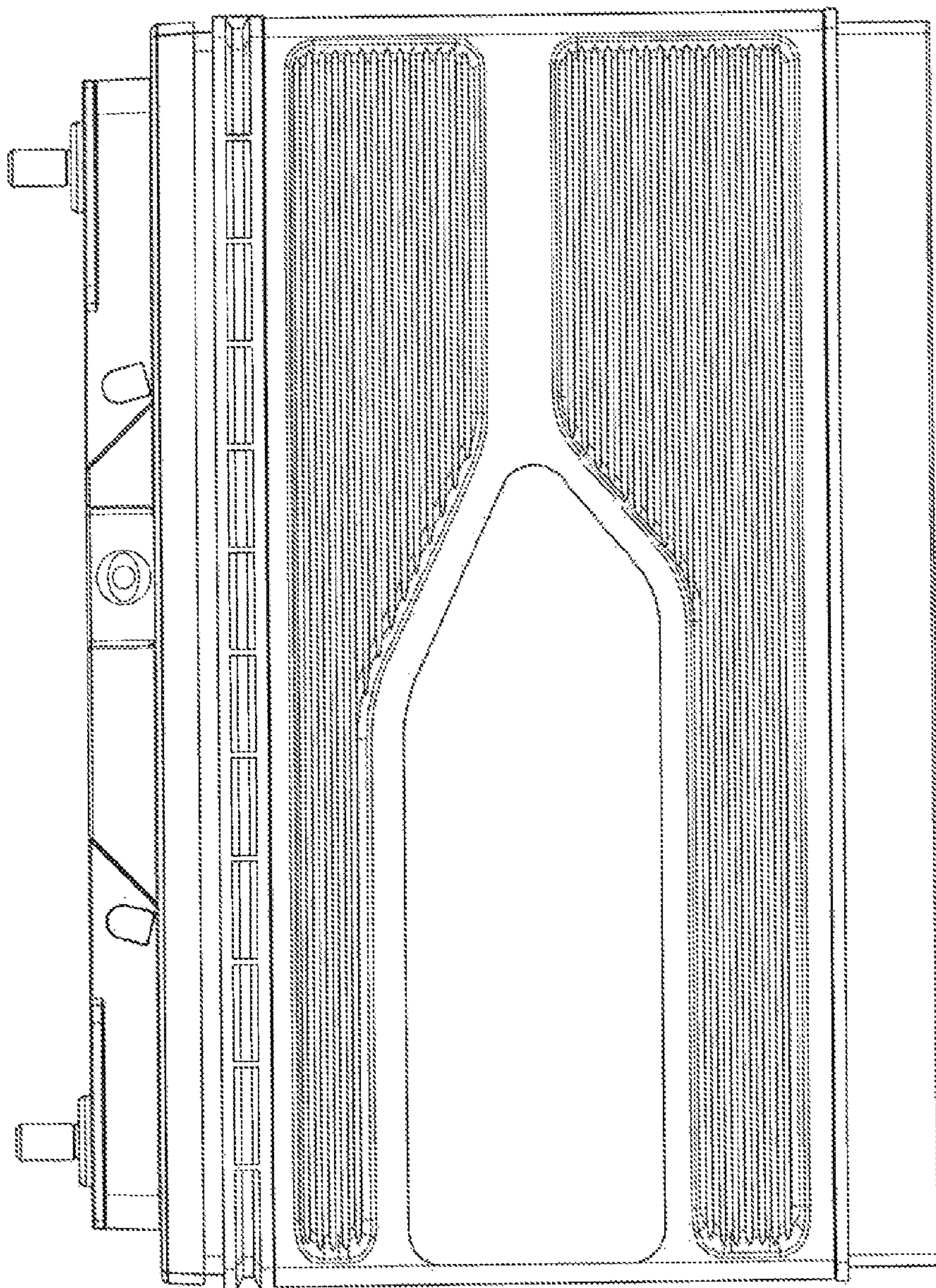


FIG. 4

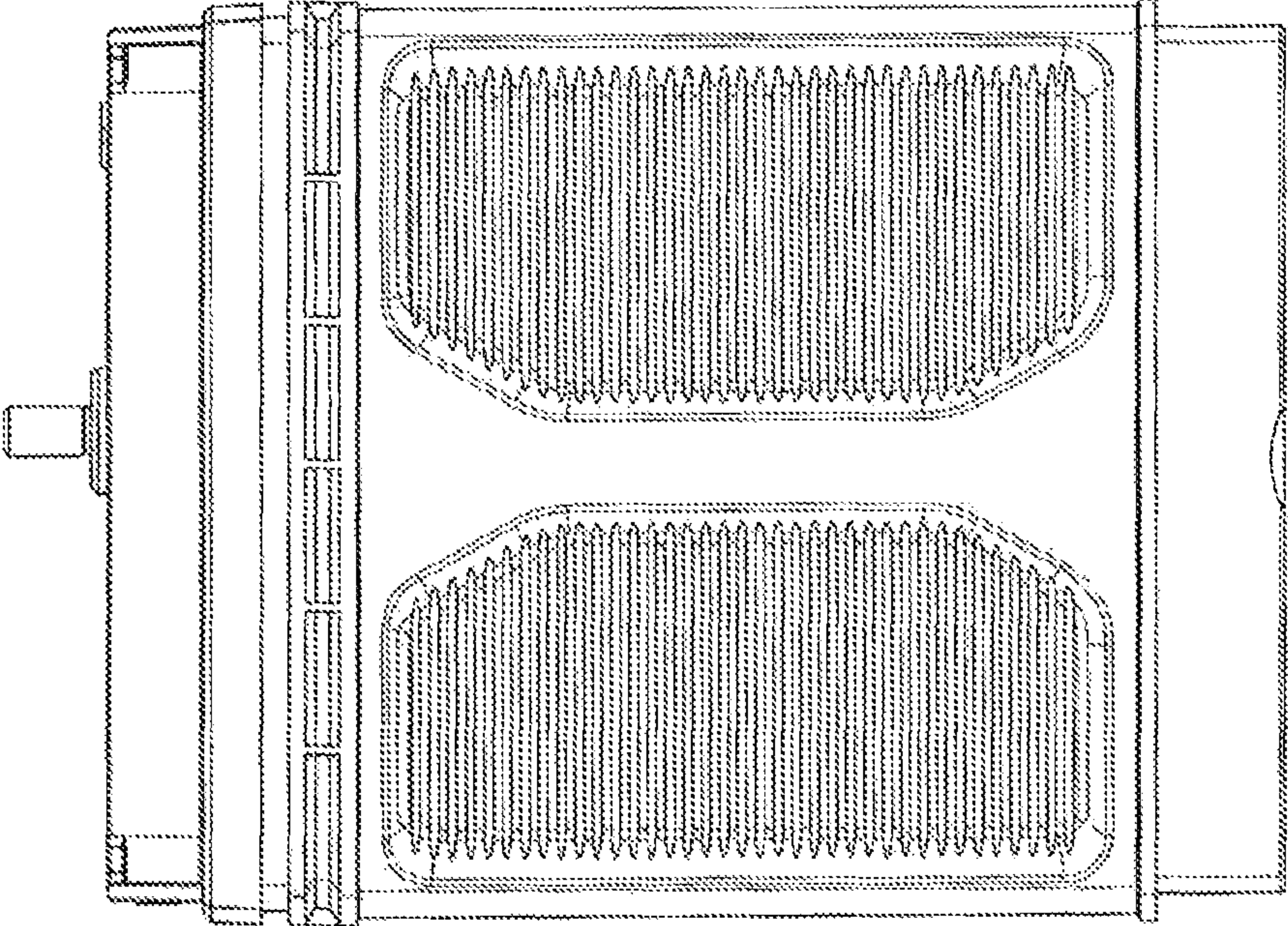


FIG. 5

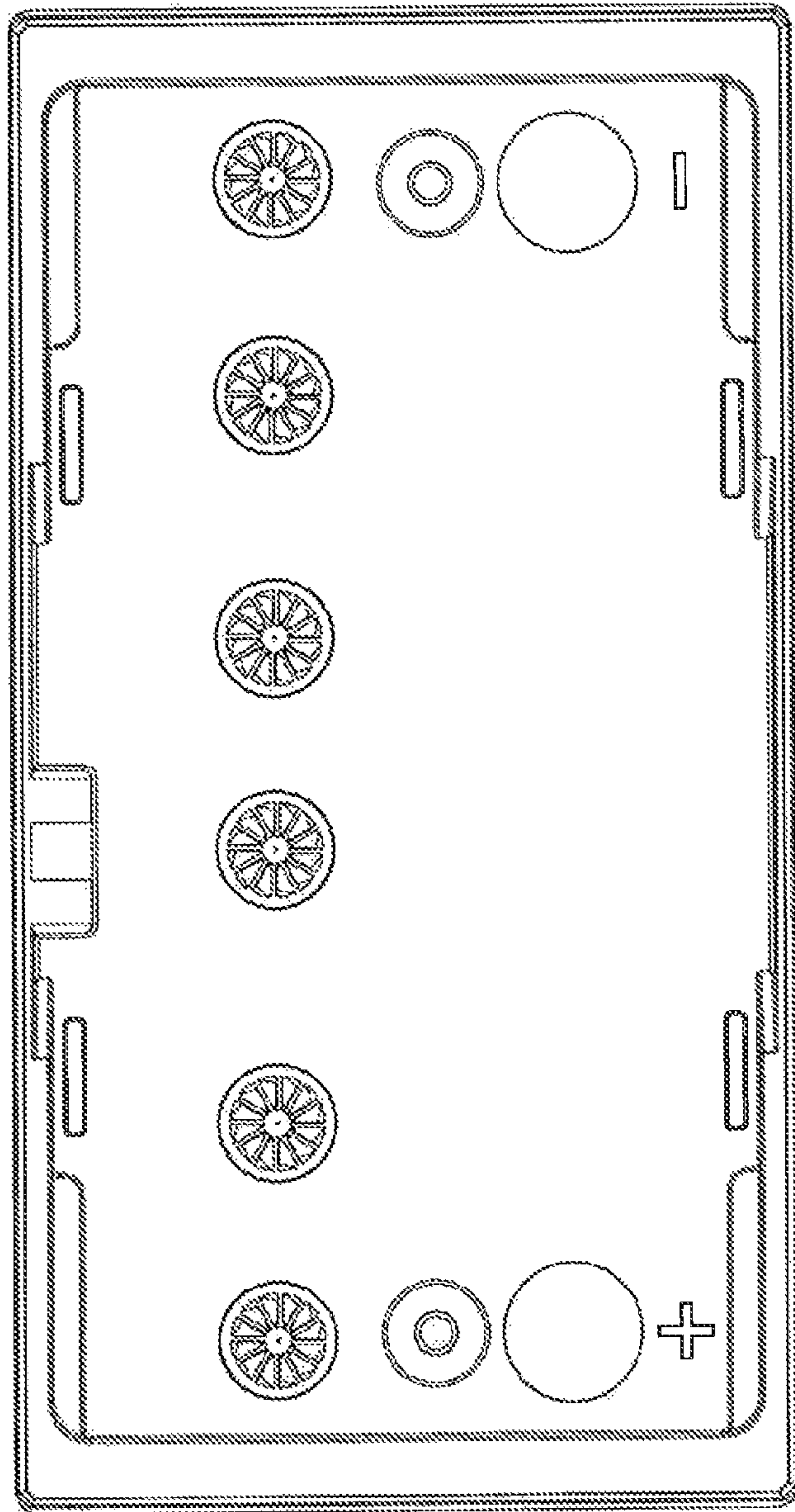


FIG. 6

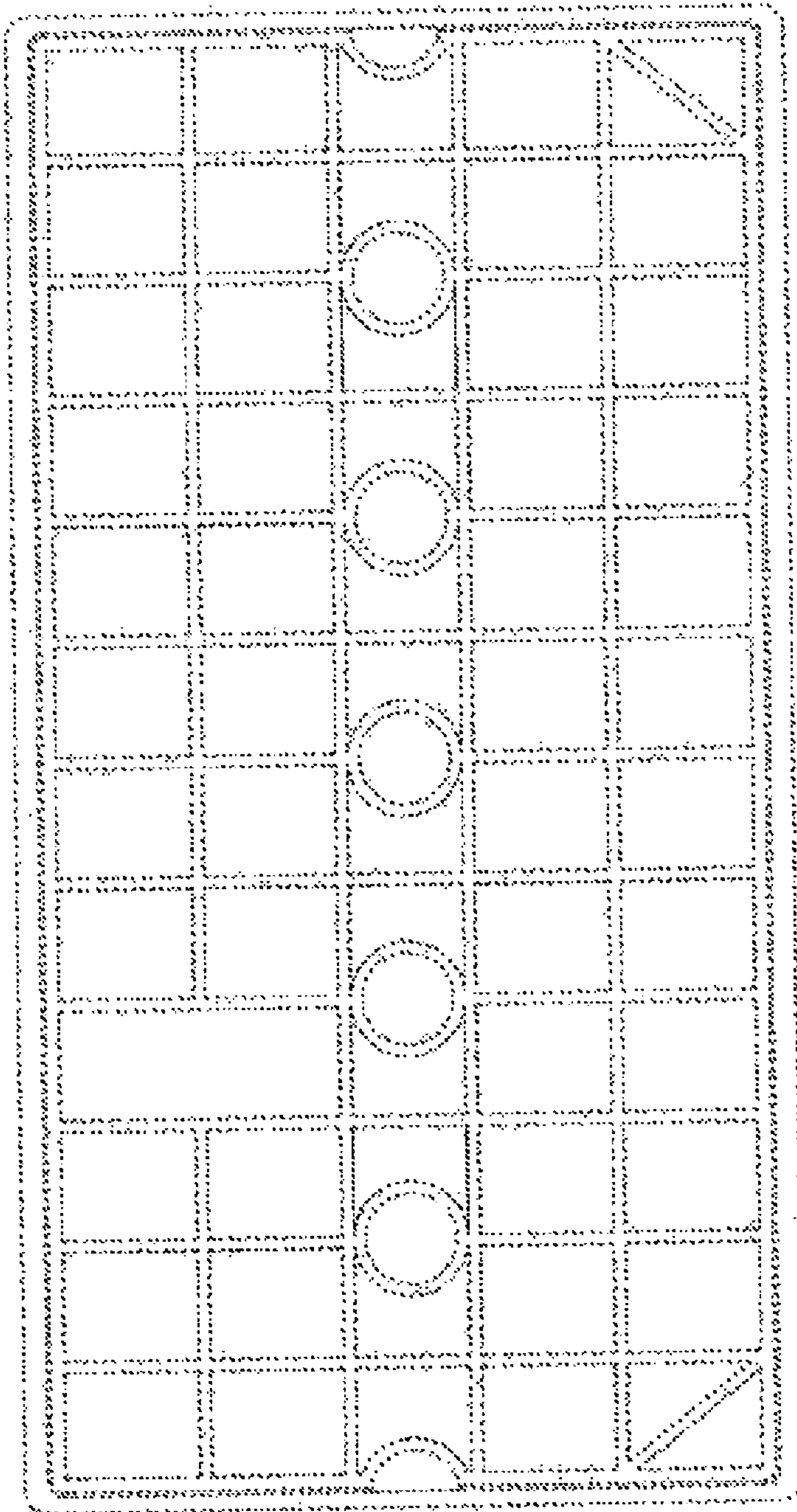


FIG. 7