



US00D625253S

(12) **United States Design Patent**
Mack et al.

(10) **Patent No.:** **US D625,253 S**
(45) **Date of Patent:** **** Oct. 12, 2010**

(54) **BATTERY**
(75) Inventors: **Robert J. Mack**, Milwaukee, WI (US);
Glenn W. Andersen, Hartford, WI (US)
(73) Assignee: **Johnson Controls Technology**
Company, Holland, MI (US)

(**) Term: **14 Years**

(21) Appl. No.: **29/357,402**

(22) Filed: **Mar. 11, 2010**

(51) **LOC (9) Cl.** **13-02**
(52) **U.S. Cl.** **D13/104**
(58) **Field of Classification Search** D13/102–106,
D13/110, 118–119, 184, 199; 429/96–100,
429/163, 176

See application file for complete search history.

(56) **References Cited**

U.S. PATENT DOCUMENTS

| | | | | | | |
|-----------|---|---|---------|-----------------|-------|----------|
| D64,969 | S | * | 6/1924 | Glidden | | D13/106 |
| D67,258 | S | * | 5/1925 | Bello | | D13/106 |
| D68,262 | S | * | 9/1925 | Klug | | D13/106 |
| D70,400 | S | * | 6/1926 | Campbell | | D13/106 |
| D75,446 | S | * | 6/1928 | Rieser | | D13/106 |
| 2,724,360 | A | * | 11/1955 | Crookshank | | 116/228 |
| D188,421 | S | * | 7/1960 | Slautterback | | D13/104 |
| 3,105,909 | A | * | 10/1963 | Jones Grafton V | | 307/10.1 |
| D252,354 | S | | 7/1979 | Uyeda | | |
| D266,757 | S | * | 11/1982 | Campbell et al. | | D13/106 |
| D292,576 | S | * | 11/1987 | Kump et al. | | D13/106 |
| D298,029 | S | | 10/1988 | Foster | | |
| D310,821 | S | * | 9/1990 | Hulsebus et al. | | D13/104 |

| | | | | | | |
|-----------|----|---|---------|-------------------|-------|---------|
| 5,686,202 | A | | 11/1997 | Hooke et al. | | |
| 5,998,062 | A | | 12/1999 | Olson | | |
| D458,900 | S | | 6/2002 | Carter et al. | | |
| D462,656 | S | | 9/2002 | Degen et al. | | |
| D491,138 | S | | 6/2004 | Minato | | |
| 6,929,882 | B1 | | 8/2005 | Carter | | |
| D517,479 | S | * | 3/2006 | Schemm | | D13/119 |
| D517,987 | S | | 3/2006 | Castagnola et al. | | |
| D527,344 | S | * | 8/2006 | Rajpara et al. | | D13/119 |
| D553,565 | S | * | 10/2007 | Kawakita et al. | | D13/119 |
| D614,126 | S | * | 4/2010 | Chen | | D13/104 |

* cited by examiner

Primary Examiner—Rosemary K Tarcza
(74) *Attorney, Agent, or Firm*—Lathrop & Clark LLP

(57) **CLAIM**

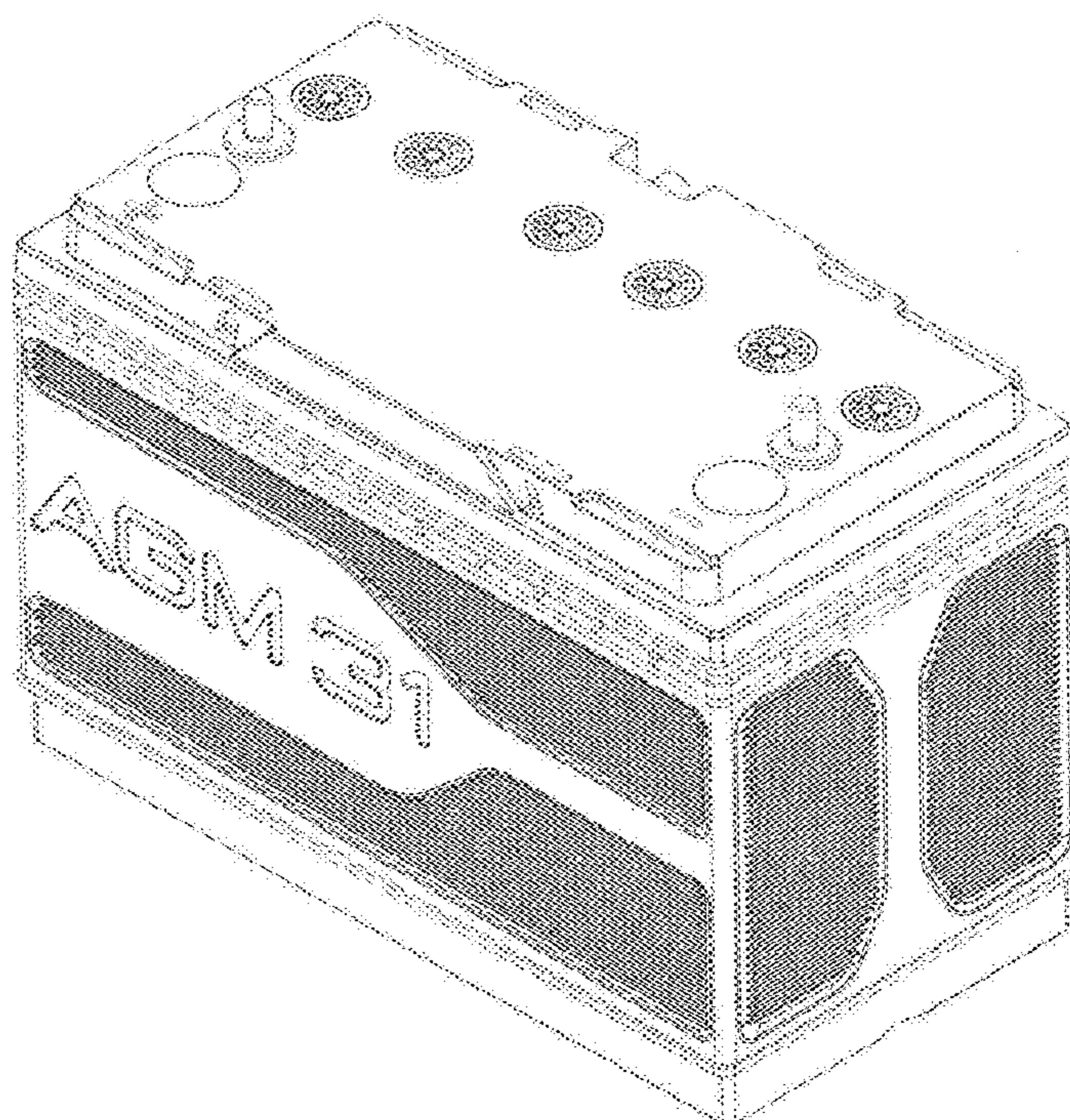
The ornamental design for a battery, as shown and described.

DESCRIPTION

FIG. 1 is a top isometric view of the battery according to an exemplary embodiment;
FIG. 2 is a first side elevation view thereof;
FIG. 3 is a first end elevation view thereof;
FIG. 4 is a second side elevation view thereof;
FIG. 5 is a second end elevation view thereof;
FIG. 6 is a top plan view thereof; and,
FIG. 7 is a bottom plan view thereof.

The broken lines shown in the figures are for illustrative purposes only, and form no part of the claimed design.

1 Claim, 7 Drawing Sheets



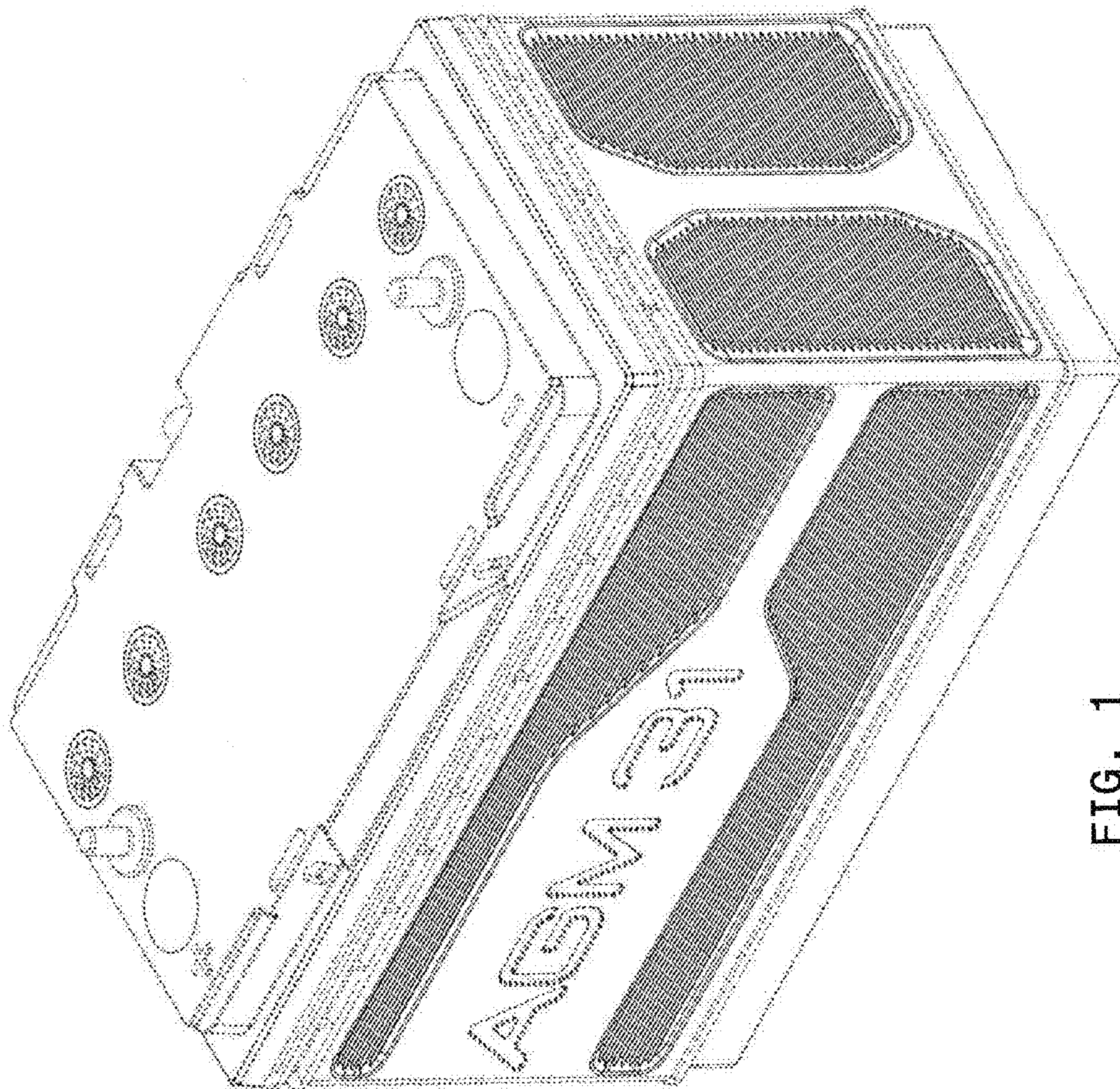


FIG. 1

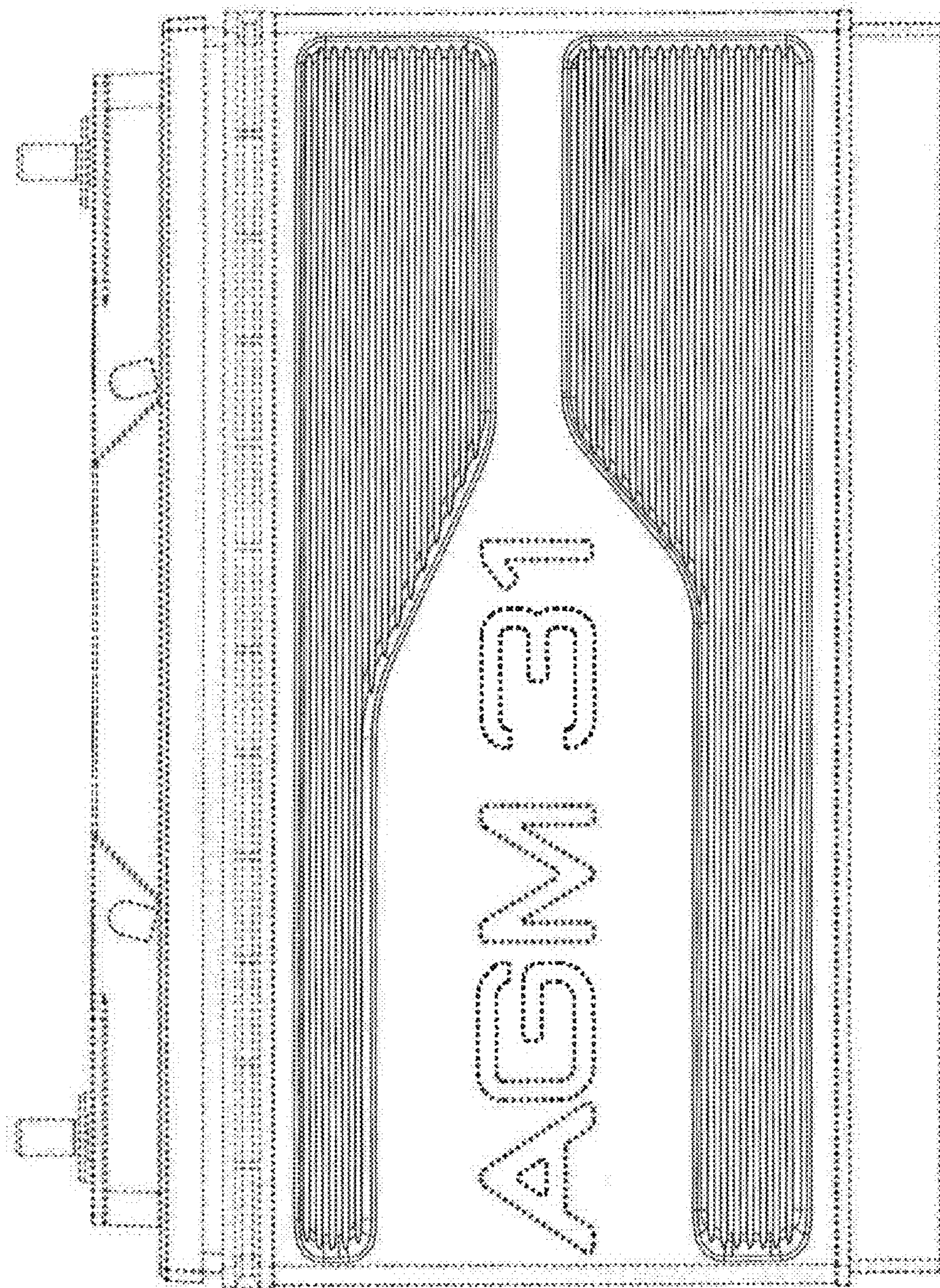


FIG. 2

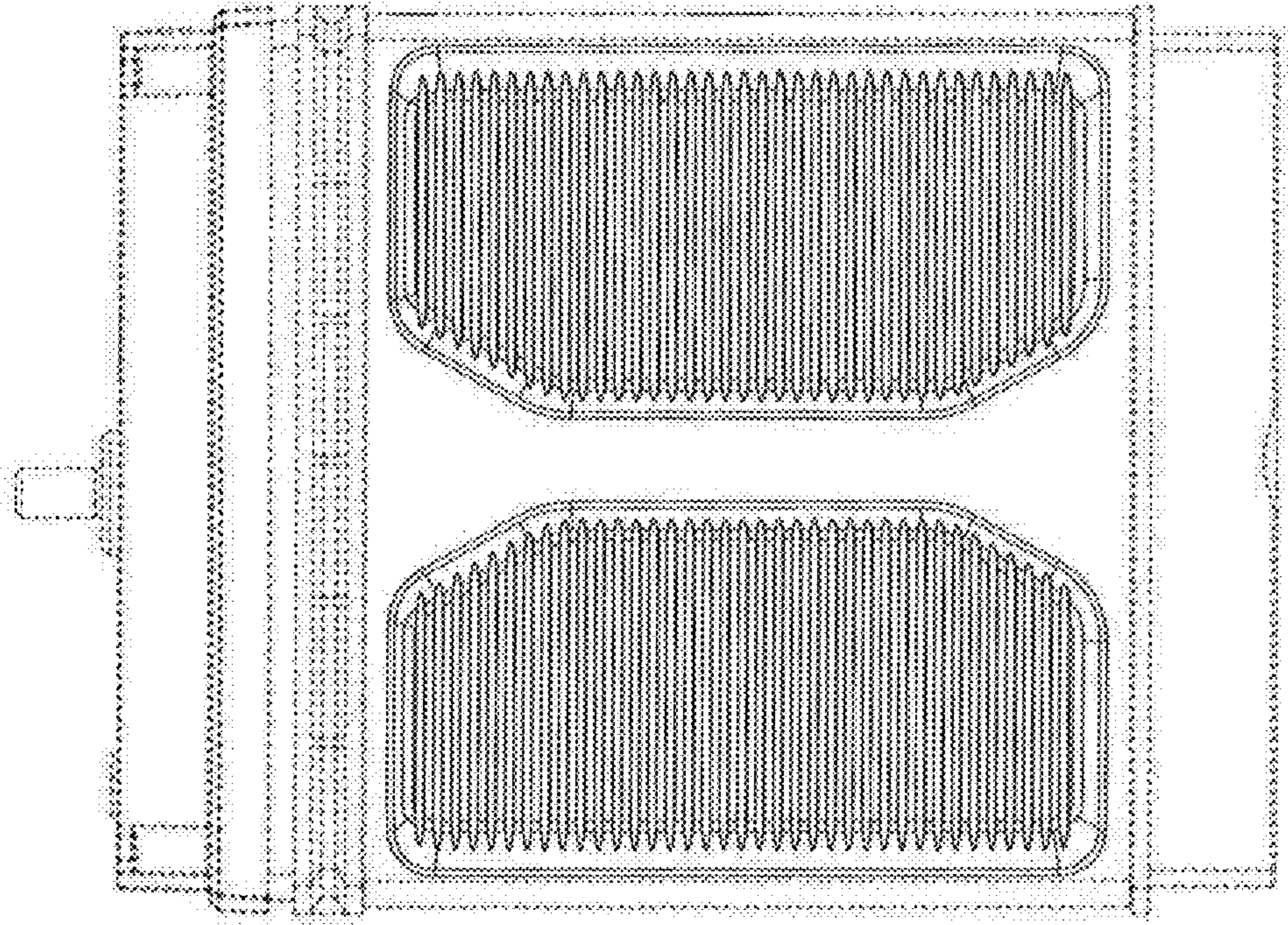


FIG. 3

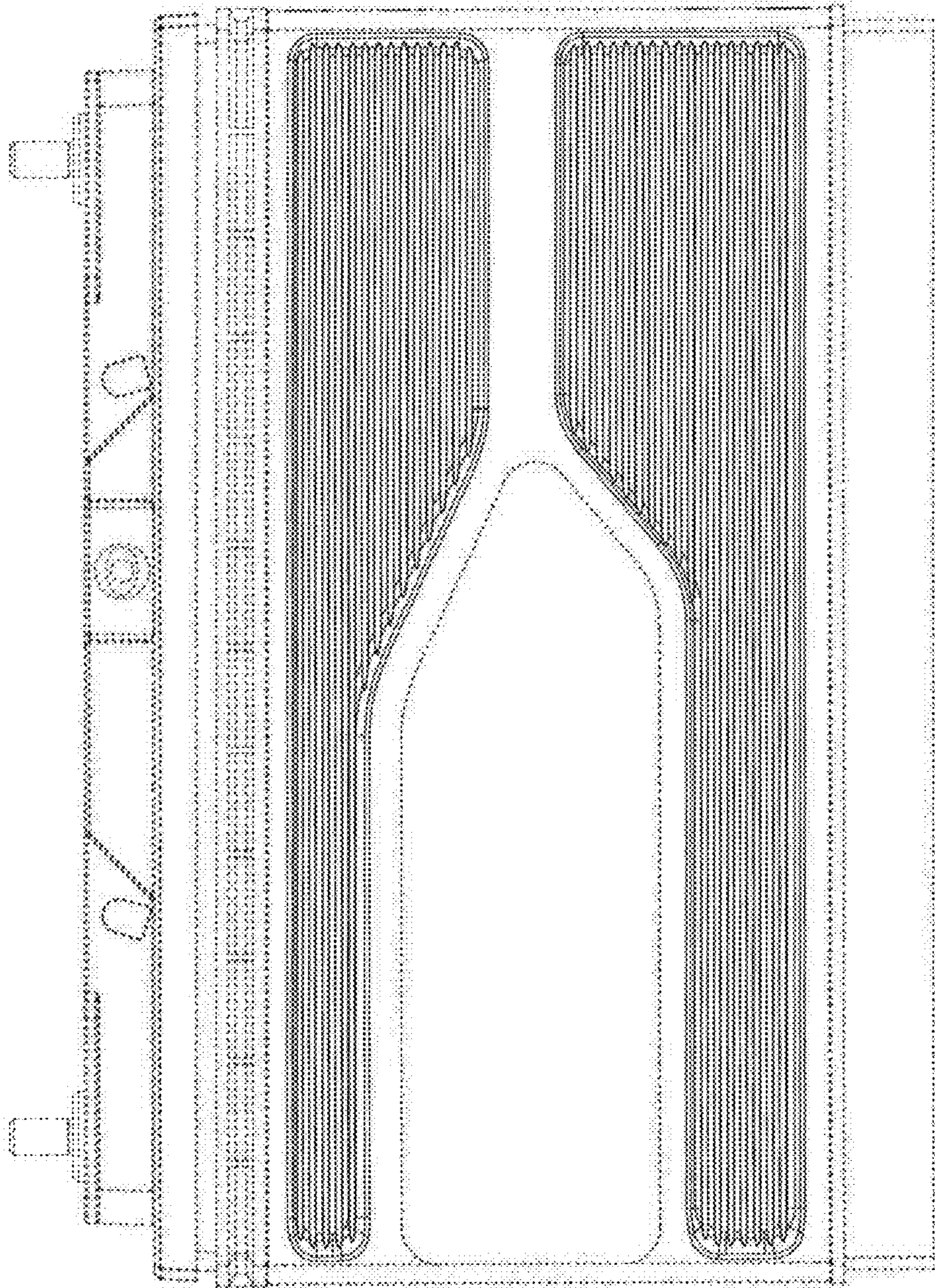


FIG. 4

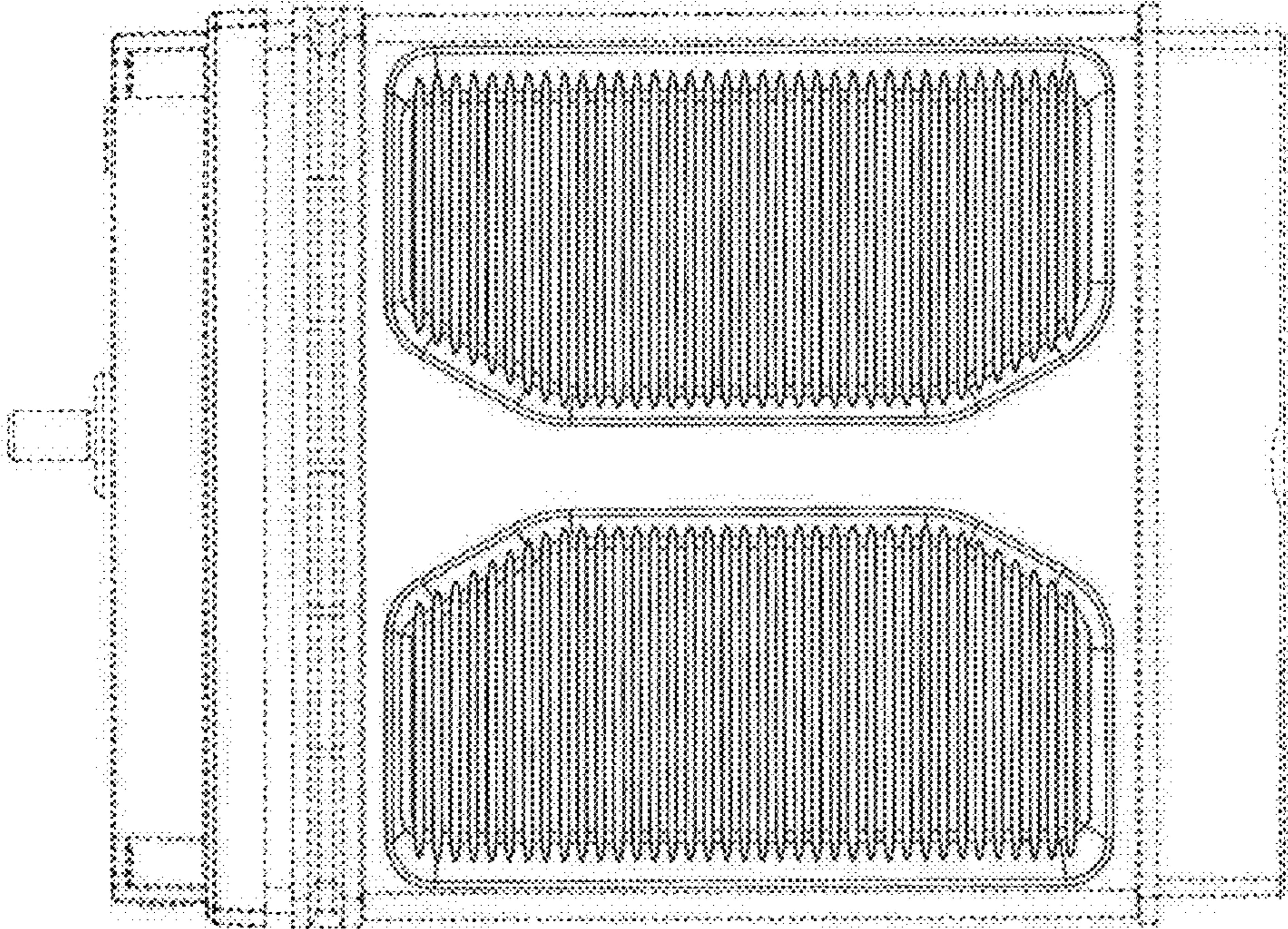


FIG. 5

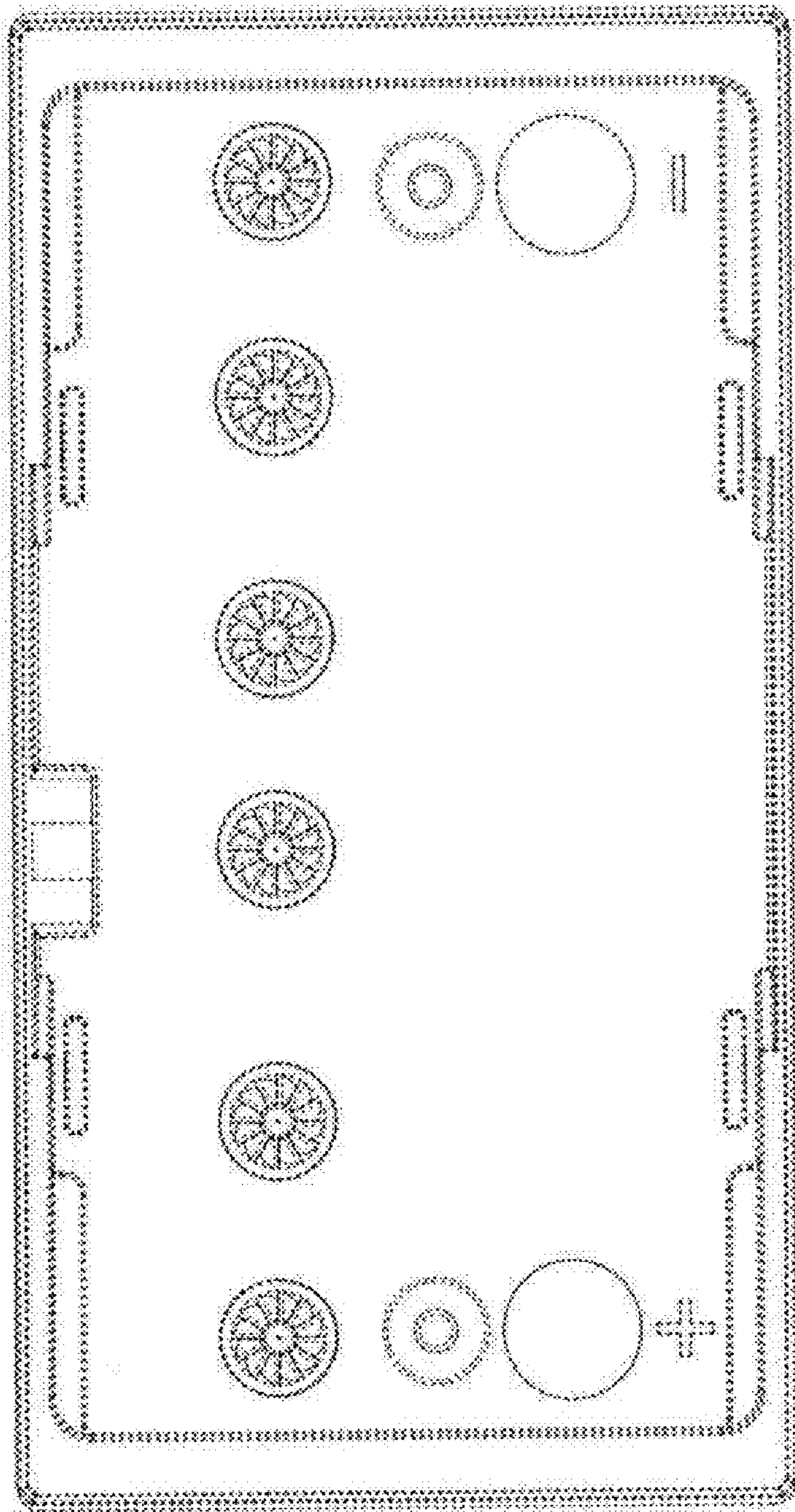


FIG. 6

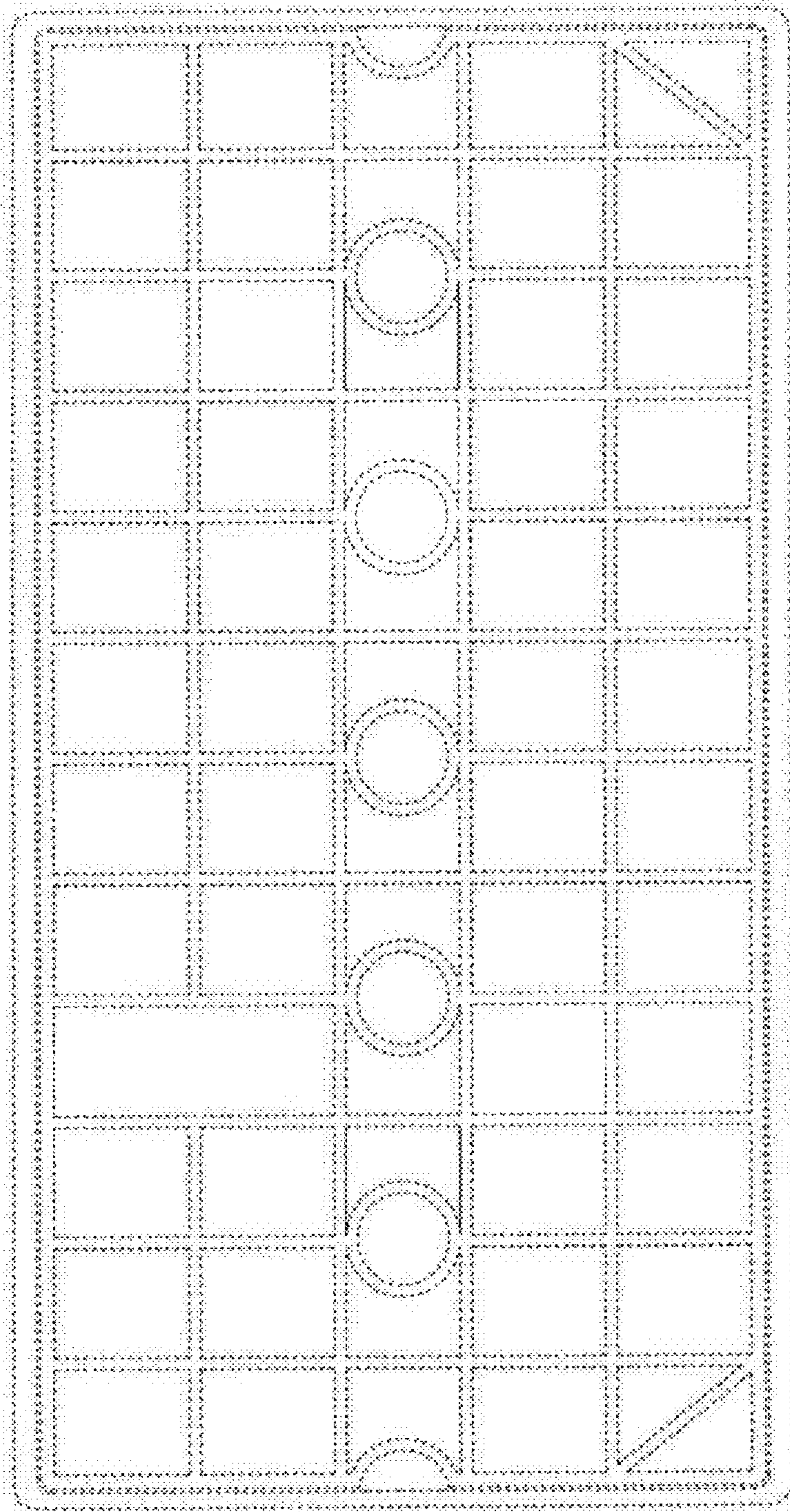


FIG. 7