



US00D625251S

(12) **United States Design Patent**
Workman et al.

(10) **Patent No.:** **US D625,251 S**

(45) **Date of Patent:** **** Oct. 12, 2010**

(54) **HINGED PHOTOVOLTAIC ARRAYS**

D493,768 S * 8/2004 Lam D13/102
6,784,359 B2 * 8/2004 Clark et al. 136/245
D510,316 S * 10/2005 Hayakawa D13/102

(75) Inventors: **Robert Emmett Workman**, Morgan, UT (US); **Norm Krantz**, Logan, UT (US); **Arthur Lee Dietrich-Croy**, Salt Lake City, UT (US); **John R. Omdahl, II**, Lindon, UT (US); **Michael S. Horito**, Provo, UT (US)

* cited by examiner

Primary Examiner—Prabhakar Deshmukh
Assistant Examiner—Derrick Holland
(74) *Attorney, Agent, or Firm*—Foley & Lardner LLP

(73) Assignee: **Goal Zero LLC**, Bluffdale, UT (US)

(57) **CLAIM**

(**) Term: **14 Years**

The ornamental design for hinged photovoltaic arrays, as shown and described.

(21) Appl. No.: **29/350,407**

(22) Filed: **Nov. 16, 2009**

DESCRIPTION

(51) **LOC (9) Cl.** **13-02**

FIG. 1 is a perspective view of a hinged photovoltaic arrays showing our new design;

(52) **U.S. Cl.** **D13/102**

FIG. 2 is a front elevational view of the hinged photovoltaic arrays of FIG. 1;

(58) **Field of Classification Search** D13/102,
D13/101, 103, 107, 108, 199; 136/206, 243,
136/244, 245, 252; 320/101, 102, 114, 115,
320/120

FIG. 3 is a back elevational view of the hinged photovoltaic arrays of FIG. 1;

See application file for complete search history.

FIG. 4 is a right side elevational view of the hinged photovoltaic arrays of FIG. 1;

(56) **References Cited**

FIG. 5 is a left side elevational view of the hinged photovoltaic arrays of FIG. 1;

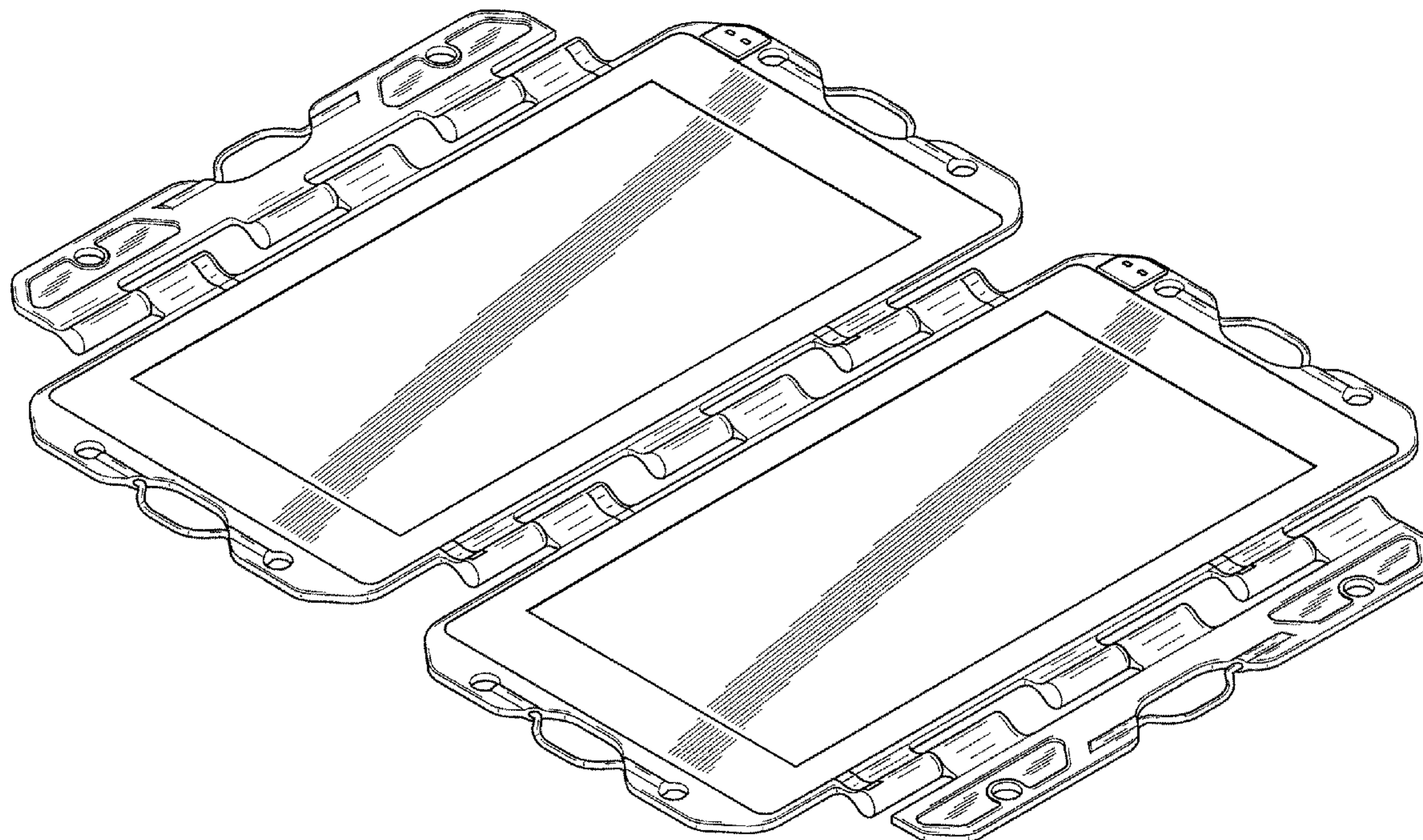
U.S. PATENT DOCUMENTS

D353,129 S * 12/1994 Ricaud et al. D13/102
5,522,943 A * 6/1996 Spencer et al. 136/245
6,476,311 B1 * 11/2002 Lee et al. 136/244
D479,191 S * 9/2003 Peress et al. D13/102
6,650,085 B2 * 11/2003 Lau et al. 320/101
D489,680 S * 5/2004 Stobart D13/107

FIG. 6 is a top view of the hinged photovoltaic arrays of FIG. 1; and,

FIG. 7 is a bottom view of the hinged photovoltaic arrays of FIG. 1.

1 Claim, 5 Drawing Sheets



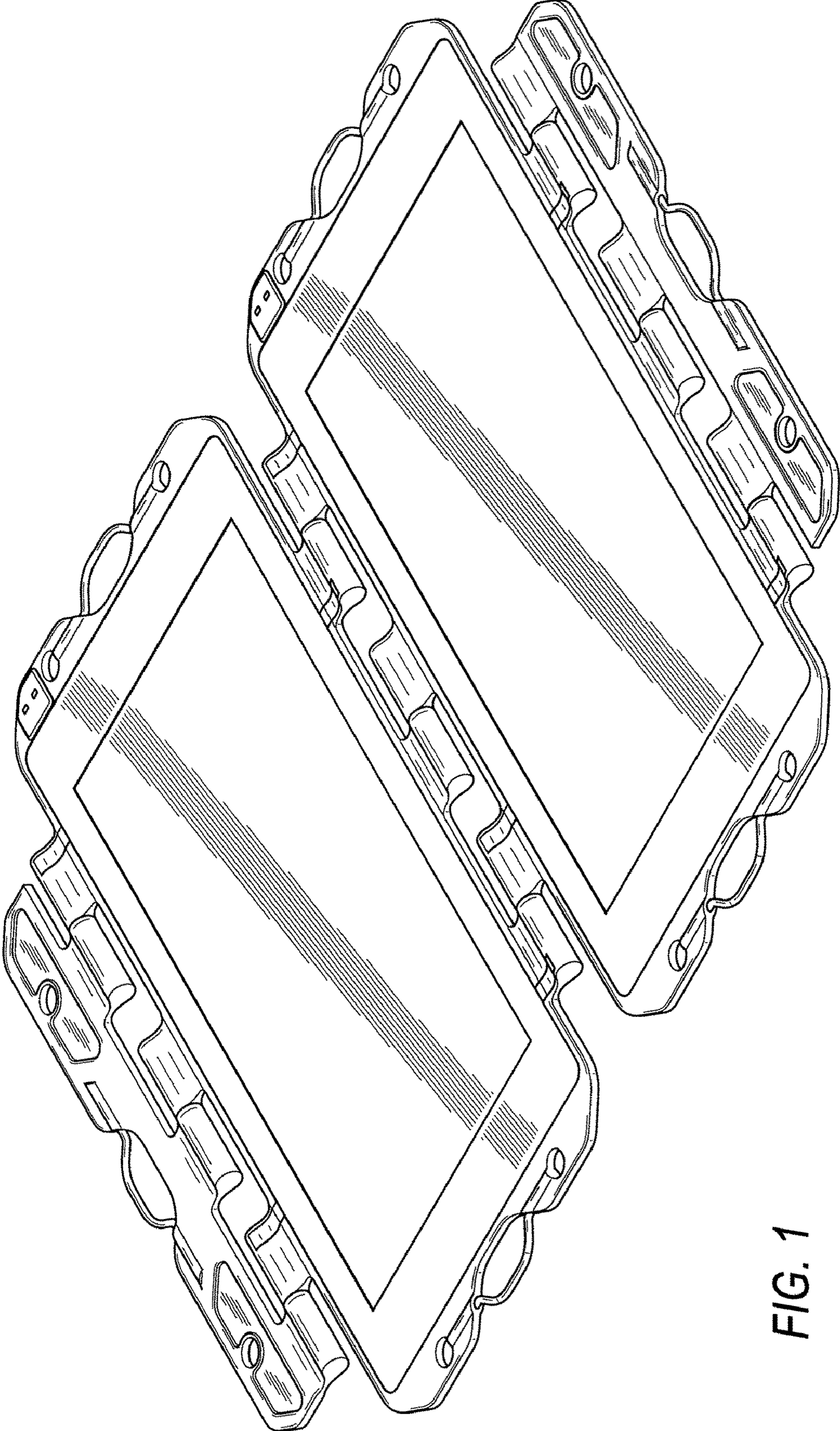


FIG. 1

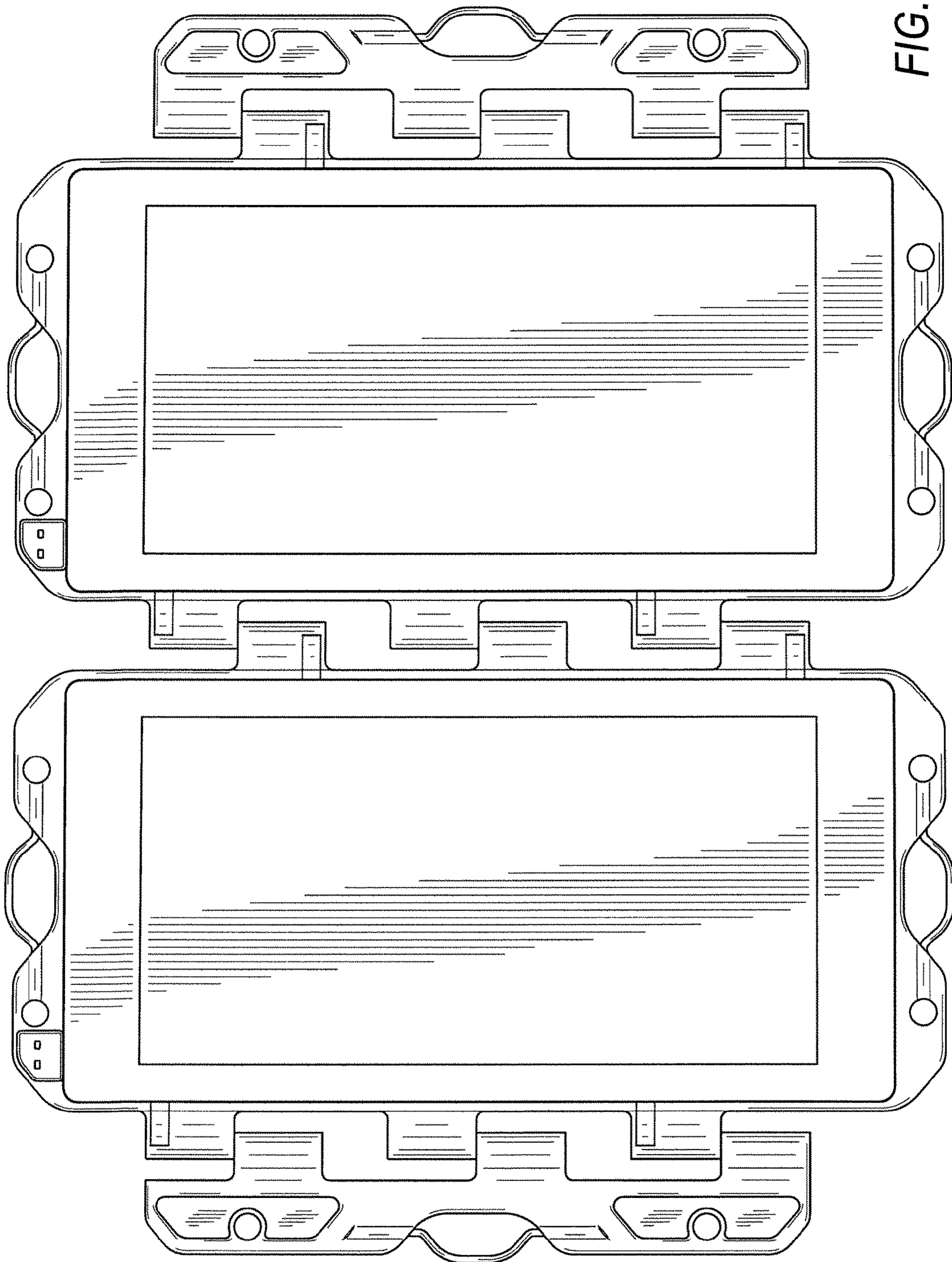


FIG. 2

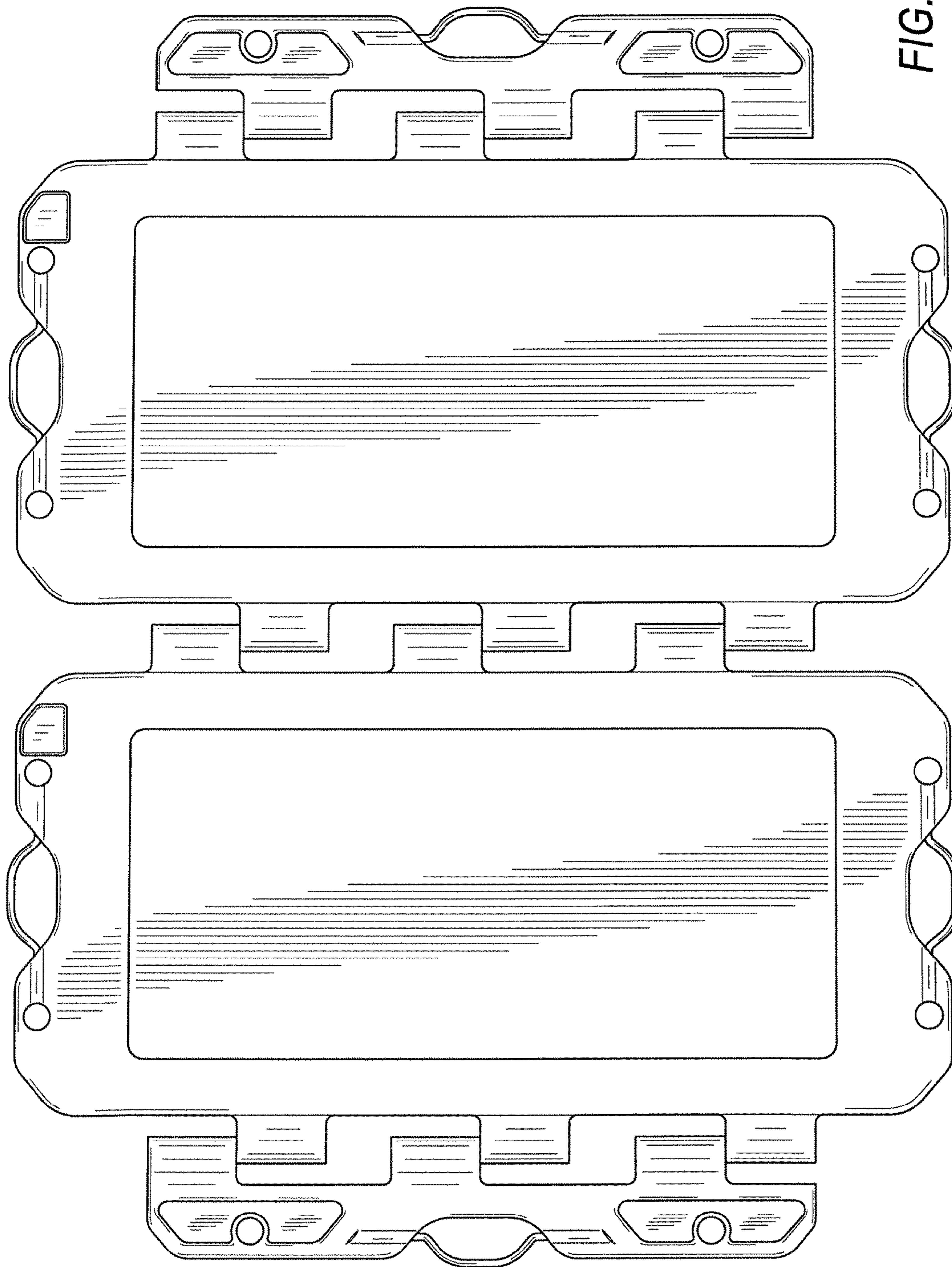


FIG. 3



FIG. 5

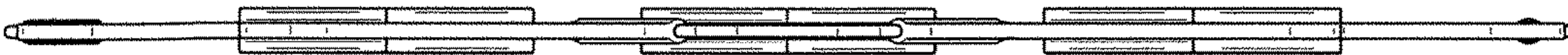


FIG. 4



FIG. 6



FIG. 7