



US00D625247S

(12) **United States Design Patent**
Flaherty et al.

(10) **Patent No.:** **US D625,247 S**
(45) **Date of Patent:** **** Oct. 12, 2010**

(54) **BICYCLE CARRIER RACK**

(57) **CLAIM**

(75) Inventors: **Joseph Flaherty**, Prospect, CT (US);
Joe Settelmayer, McKinleyville, CA (US)

We claim the ornamental design for a bicycle carrier rack, as shown and described.

(73) Assignee: **Thule Sweden AB**, Hillerstorp (SE)

DESCRIPTION

(**) Term: **14 Years**

(21) Appl. No.: **29/342,763**

(22) Filed: **Aug. 31, 2009**

(51) **LOC (9) Cl.** **12-11**

(52) **U.S. Cl.** **D12/408**

(58) **Field of Classification Search** D12/406-408;
224/42.11, 515, 545, 519, 495, 502, 505,
224/506, 522, 533-537, 548, 552, 553, 567,
224/572, 324, 935, 421, 425-427, 496, 497,
224/499, 490-493, 924; 280/288.4
See application file for complete search history.

FIG. 1 is a right side elevational view of a bicycle carrier rack;
FIG. 2 is a left side elevational view thereof;
FIG. 3 is a top plan view thereof;
FIG. 4 is a bottom plan view thereof;
FIG. 5 is front elevational view thereof;
FIG. 6 is a rear elevational view thereof;
FIG. 7 is a right side elevational view of a second embodiment of a bicycle carrier rack;
FIG. 8 left side elevational view of the second embodiment;
FIG. 9 is a top plan view of the second embodiment;
FIG. 10 is a bottom plan view of the second embodiment;
FIG. 11 is a front elevational view of the second embodiment;
FIG. 12 is rear elevational view of the second embodiment;
FIG. 13 is right side elevational view of a third embodiment of a bicycle carrier rack;
FIG. 14 is a left side elevational view of the third embodiment;
FIG. 15 is a top plan view of the third embodiment;
FIG. 16 is a bottom plan view of the third embodiment;
FIG. 17 is a front elevational view of the third embodiment;
and,
FIG. 18 is a rear elevational view of the third embodiment.

(56) **References Cited**

U.S. PATENT DOCUMENTS

D308,846 S *	6/1990	Eckhart	D12/408
D337,087 S *	7/1993	Peterman et al.	D12/408
5,259,542 A *	11/1993	Newbold et al.	224/324
D378,289 S *	3/1997	Lundgren	D12/412
5,775,555 A *	7/1998	Bloemer et al.	224/531
D447,997 S *	9/2001	Ferman et al.	D12/408
6,286,783 B1 *	9/2001	Kuenkler	244/30
6,616,023 B1 *	9/2003	Dahl et al.	224/537
6,988,645 B1 *	1/2006	Nusbaum et al.	224/519
7,000,814 B2 *	2/2006	Wang	224/520
7,055,725 B1 *	6/2006	Kolda	224/505
7,261,228 B2 *	8/2007	Prescott et al.	224/502

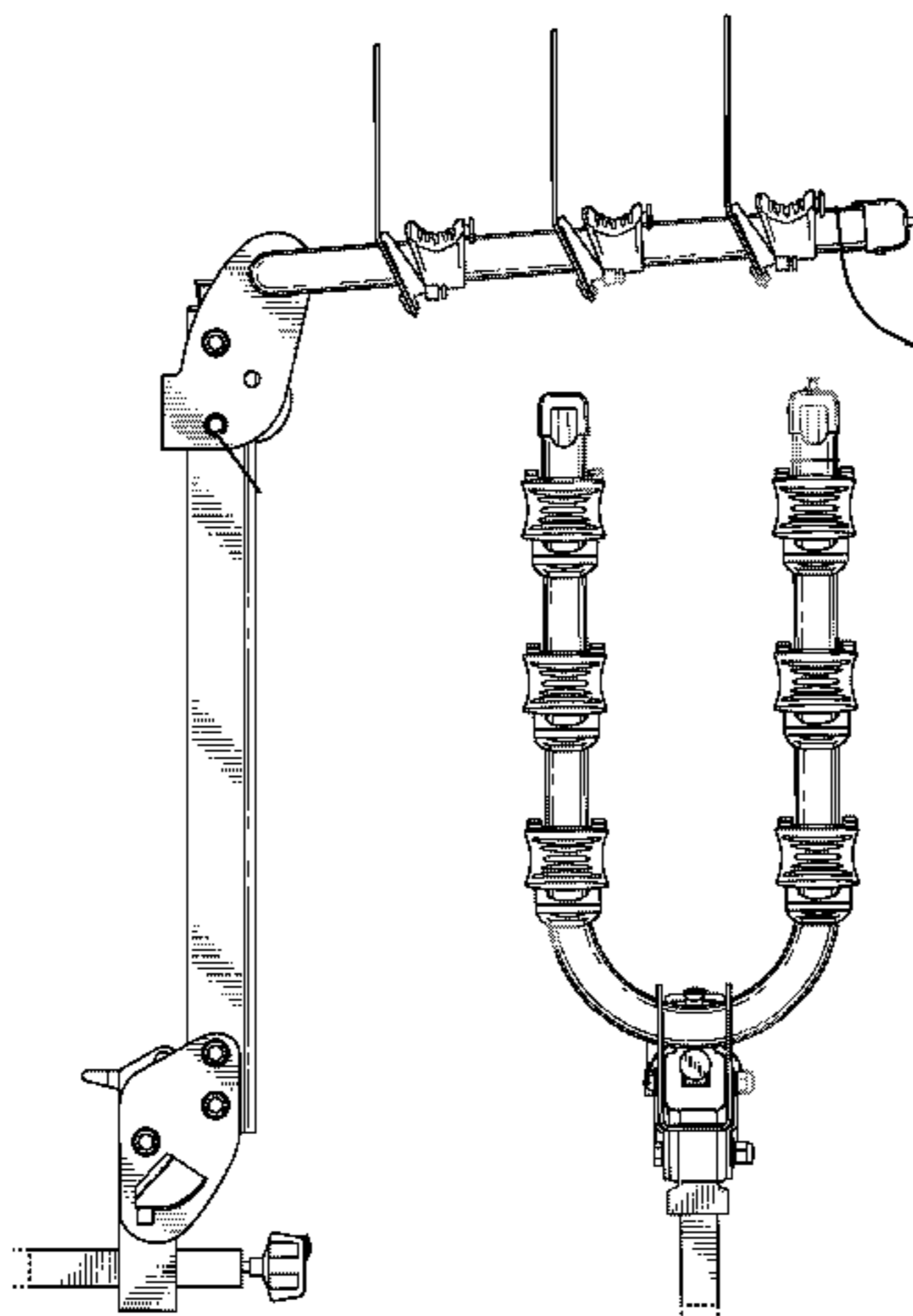
The retractable cable is shown in broken lines for the purpose of illustrating environment and forms no part of the claimed design. The broken lines on the hitch portion adjacent shaded surfaces are boundary lines that form no part of the claimed design. The other broken lines on the hitch portion form no part of the claimed design.

(Continued)

Primary Examiner—Philip S Hyder
Assistant Examiner—Linda G. Brooks

(74) *Attorney, Agent, or Firm*—Novak Druce & Quigg LLP

1 Claim, 18 Drawing Sheets



US D625,247 S

Page 2

U.S. PATENT DOCUMENTS

D602,420 S	*	10/2009	Kuschmeider et al.	D12/408	D614,563 S	*	4/2010	Flaherty et al.	D12/408
D612,320 S	*	3/2010	Flaherty et al.	D12/408	D614,564 S	*	4/2010	Flaherty et al.	D12/408
D614,562 S	*	4/2010	Flaherty et al.	D12/408	2007/0057001 A1	*	3/2007	Wang	224/536

* cited by examiner

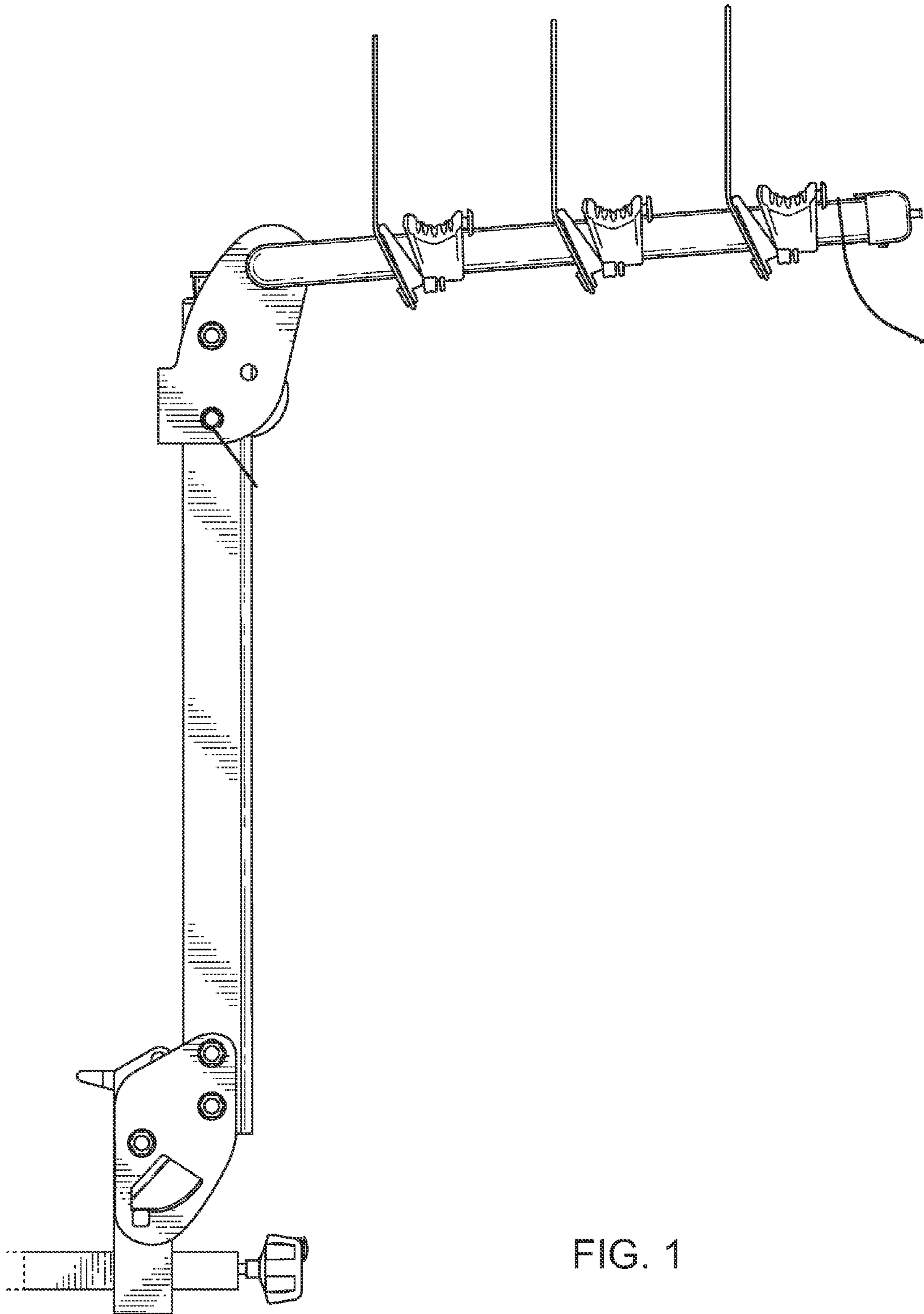


FIG. 1

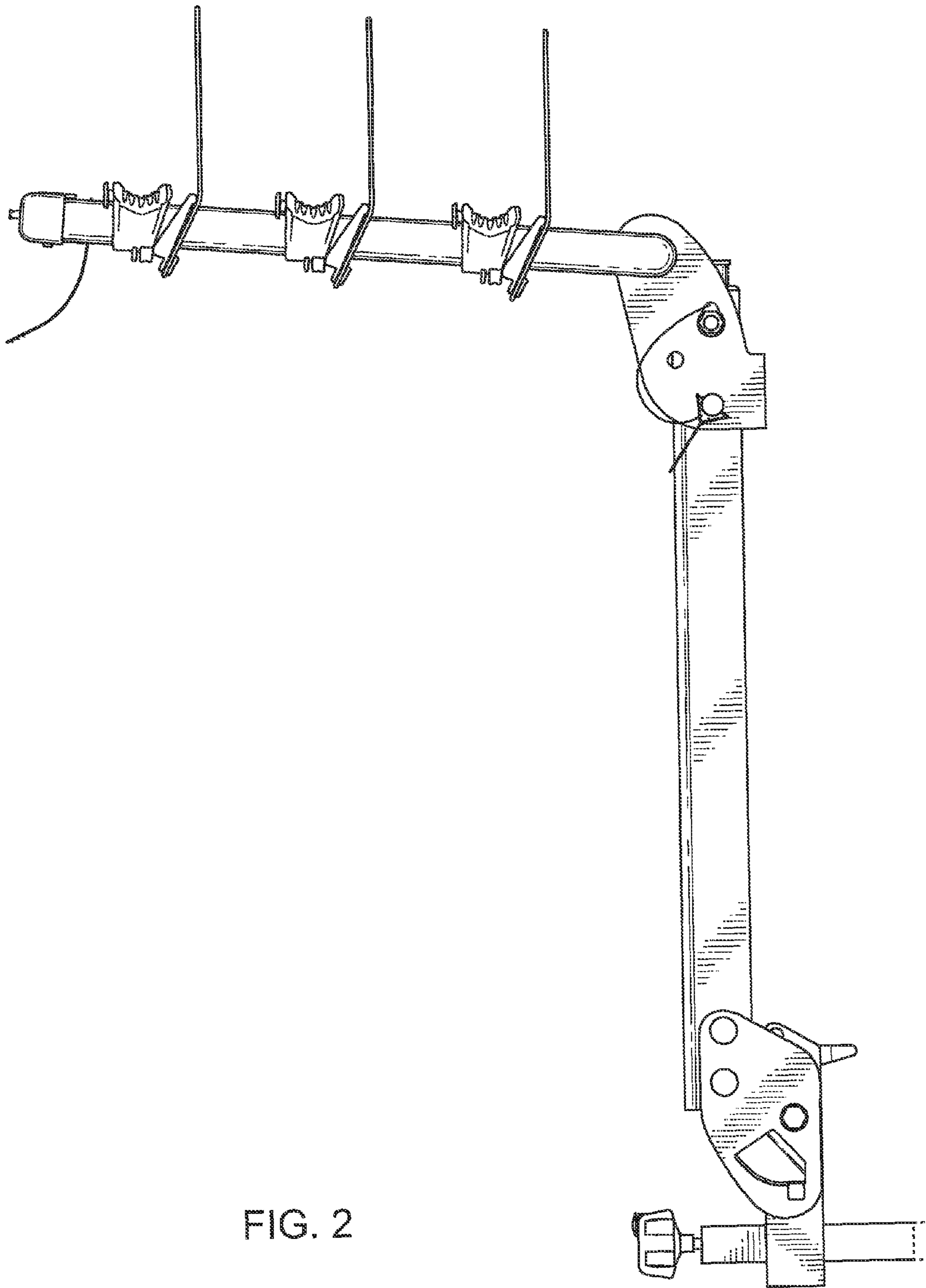


FIG. 2

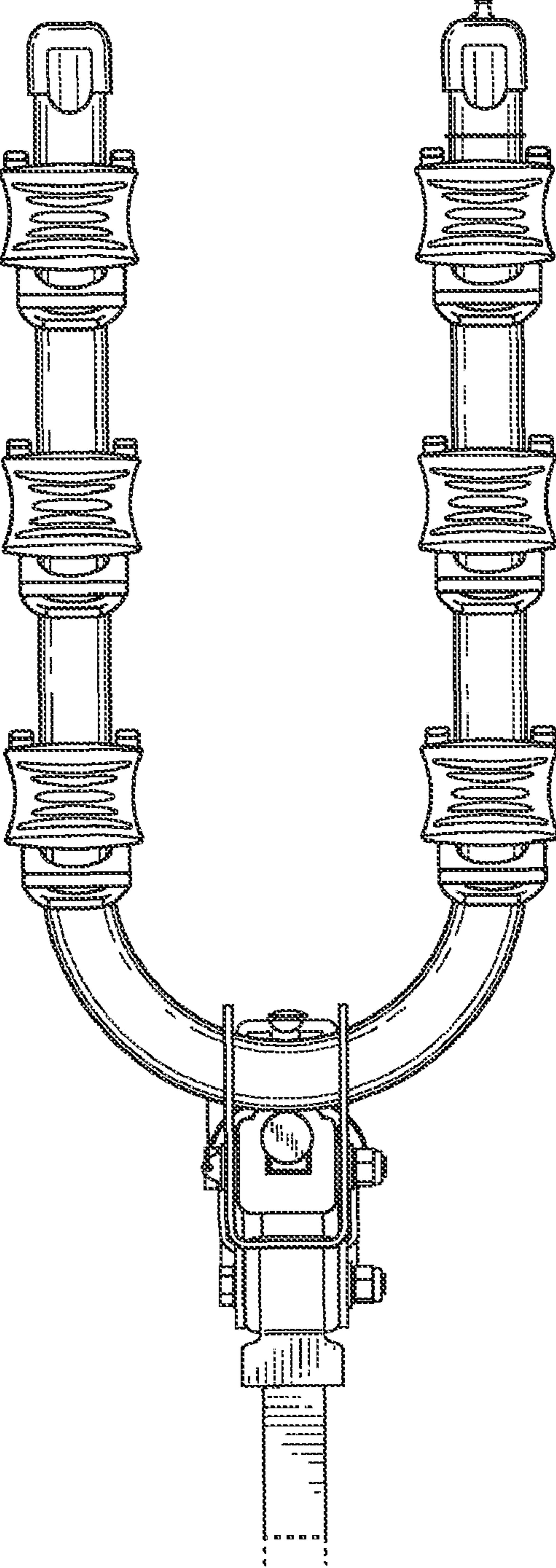


FIG. 3

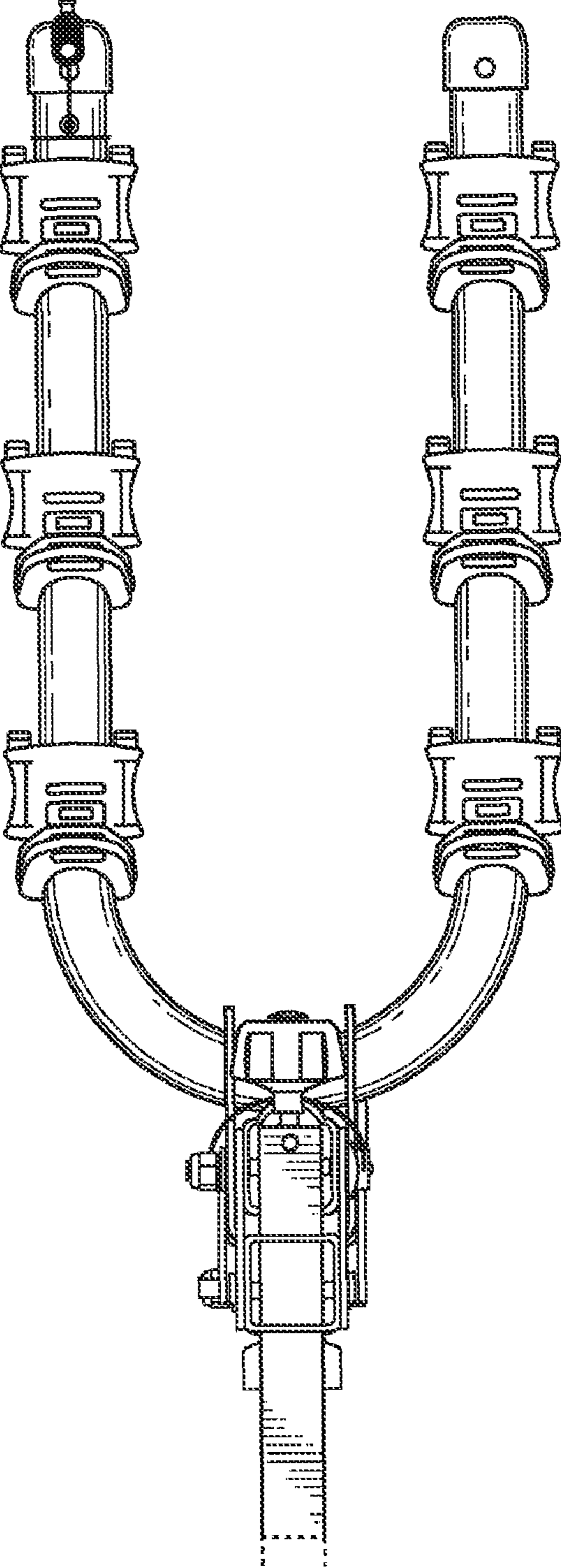


FIG. 4

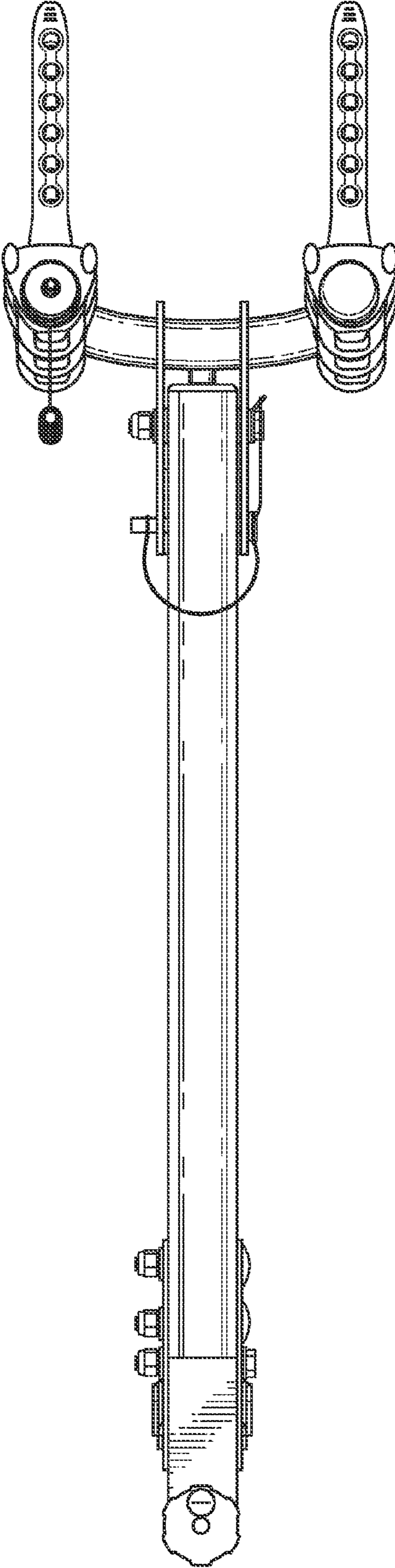


FIG. 5

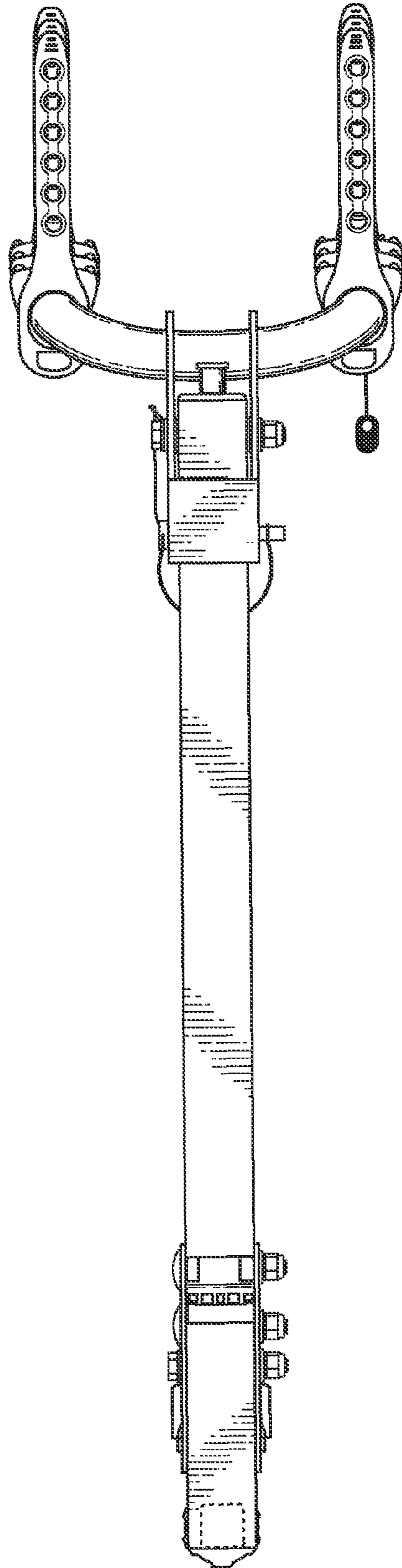


FIG. 6

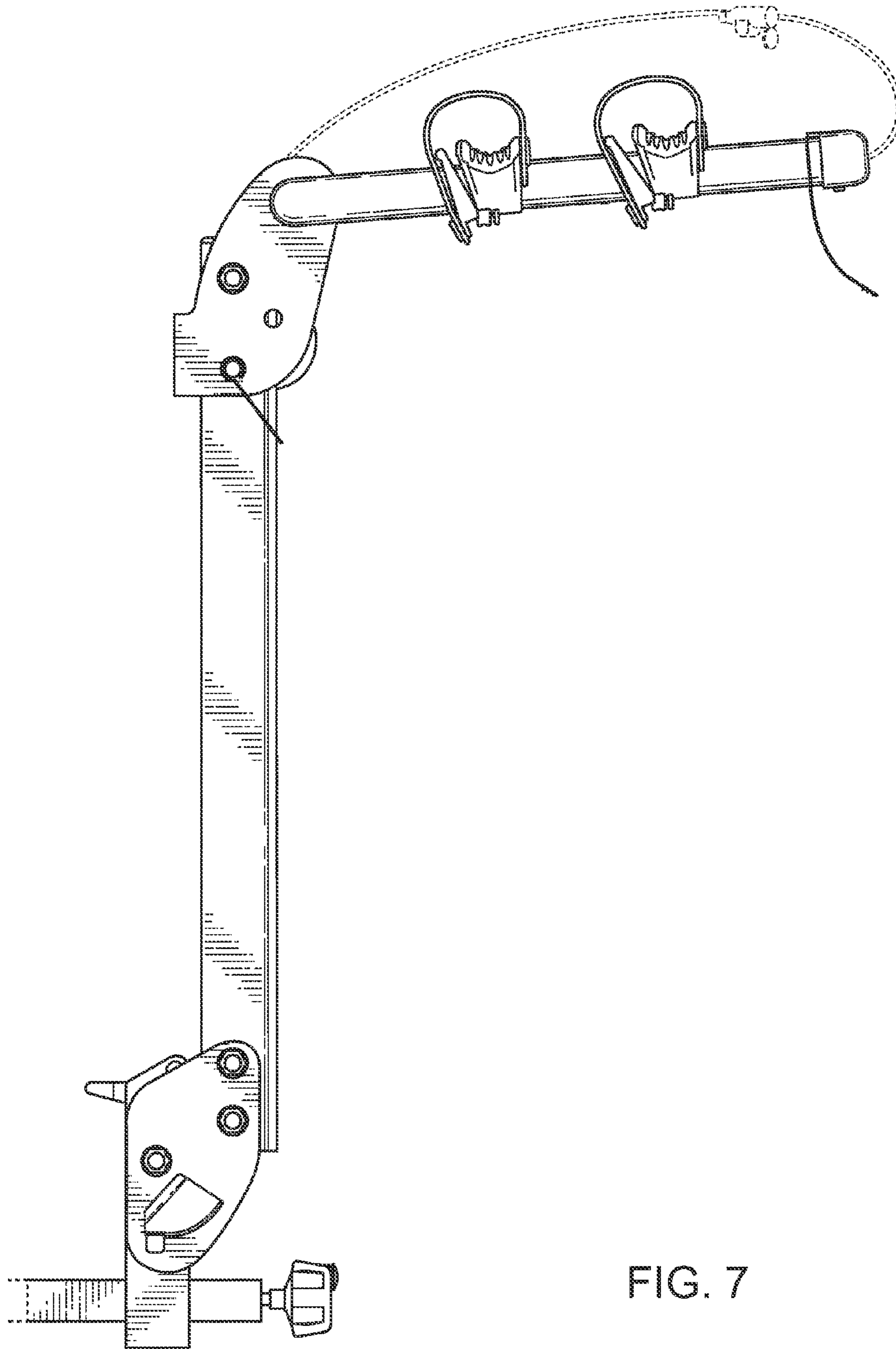


FIG. 7

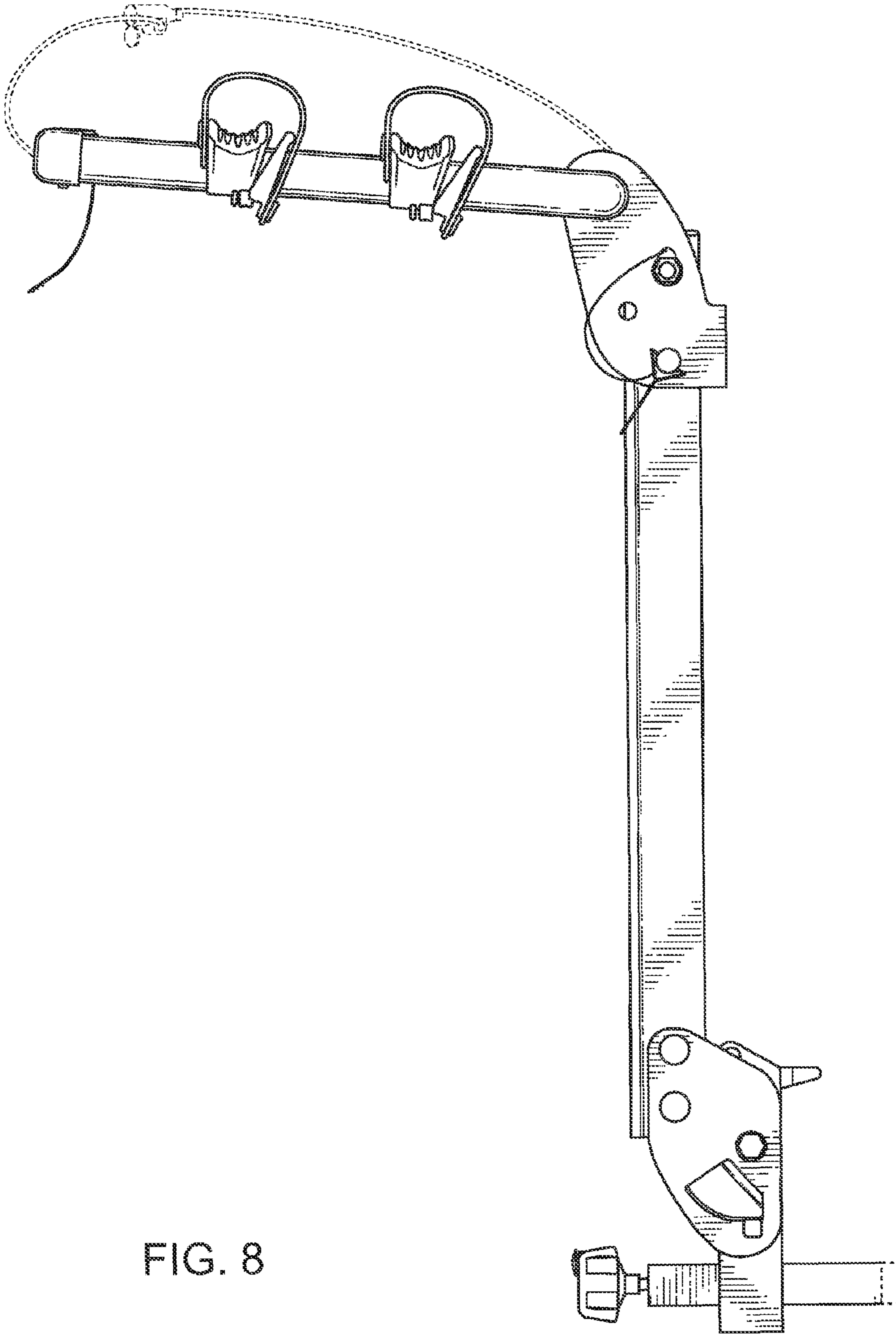


FIG. 8

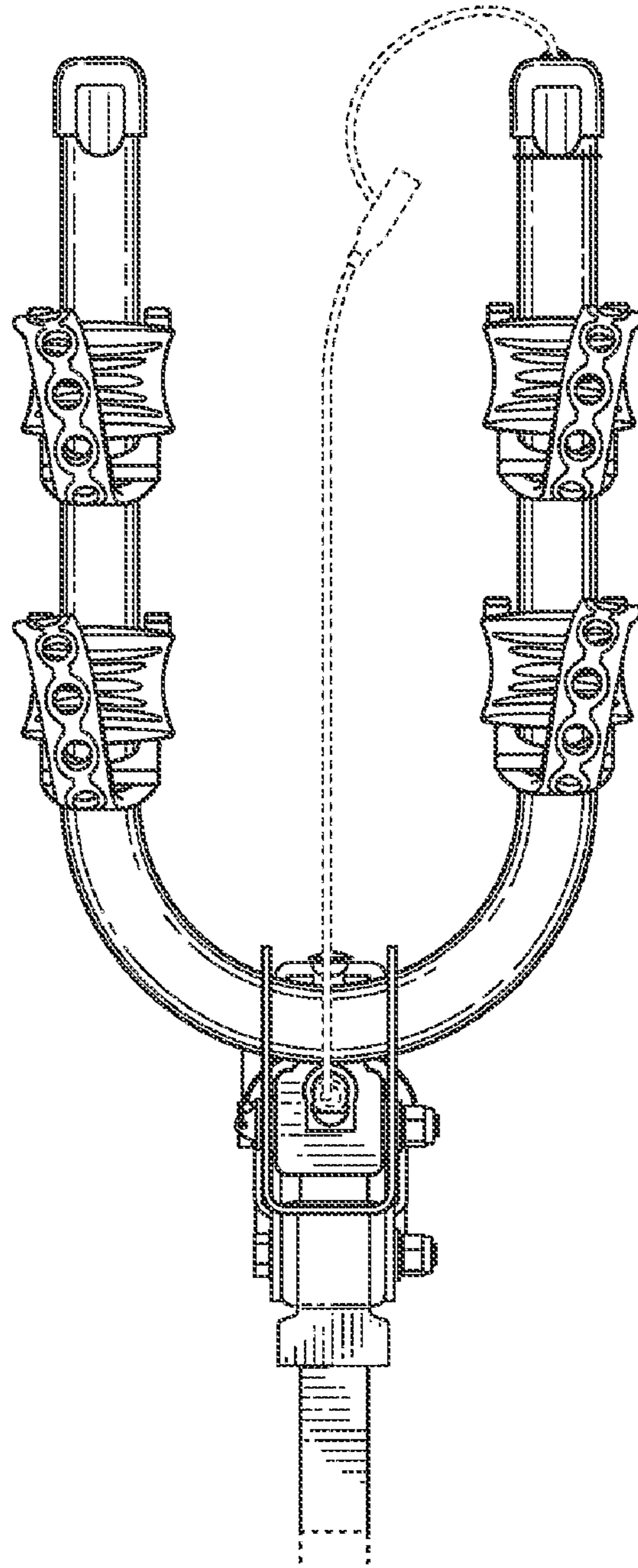


FIG. 9

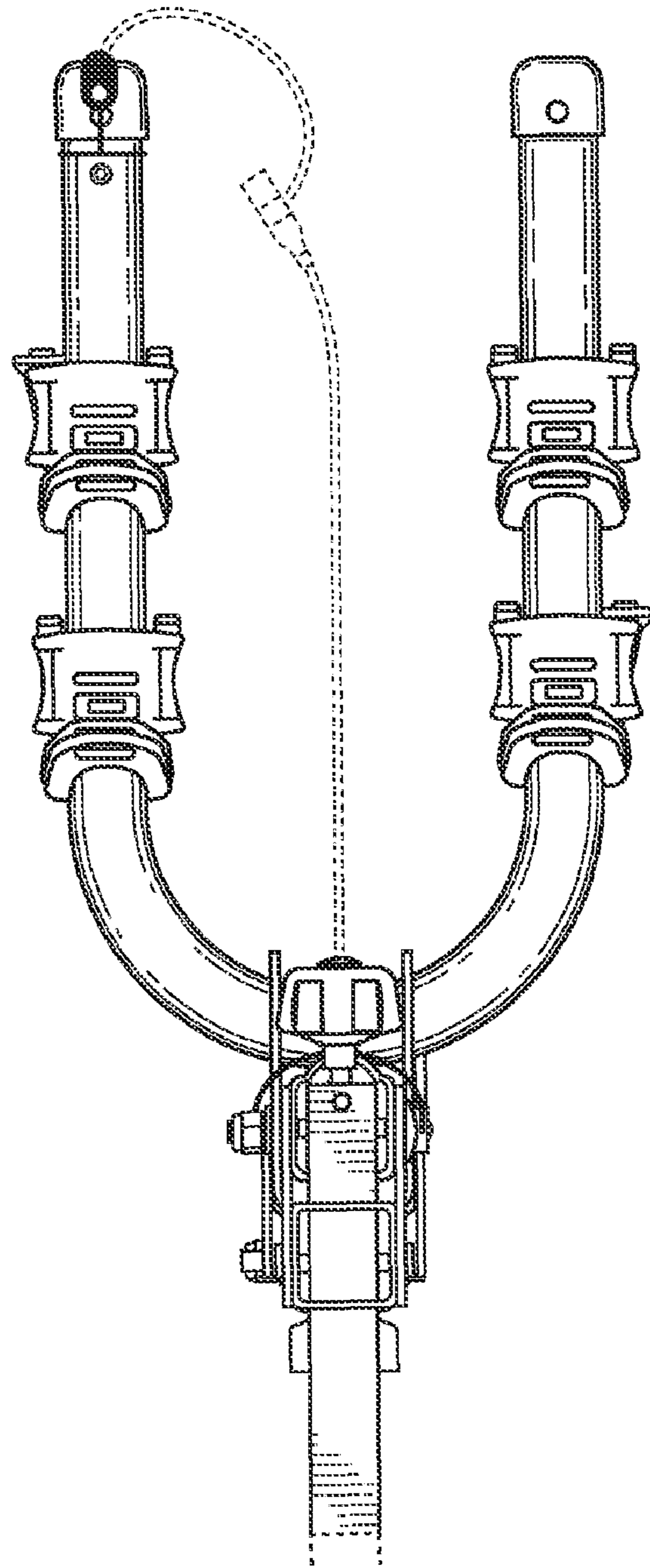


FIG. 10

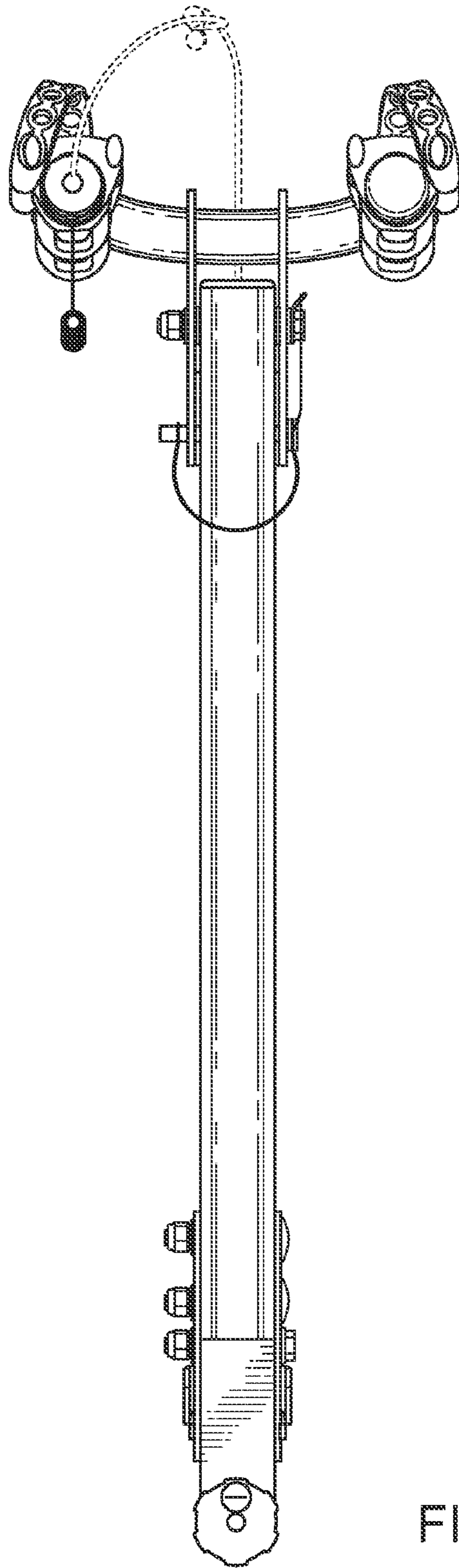


FIG. 11

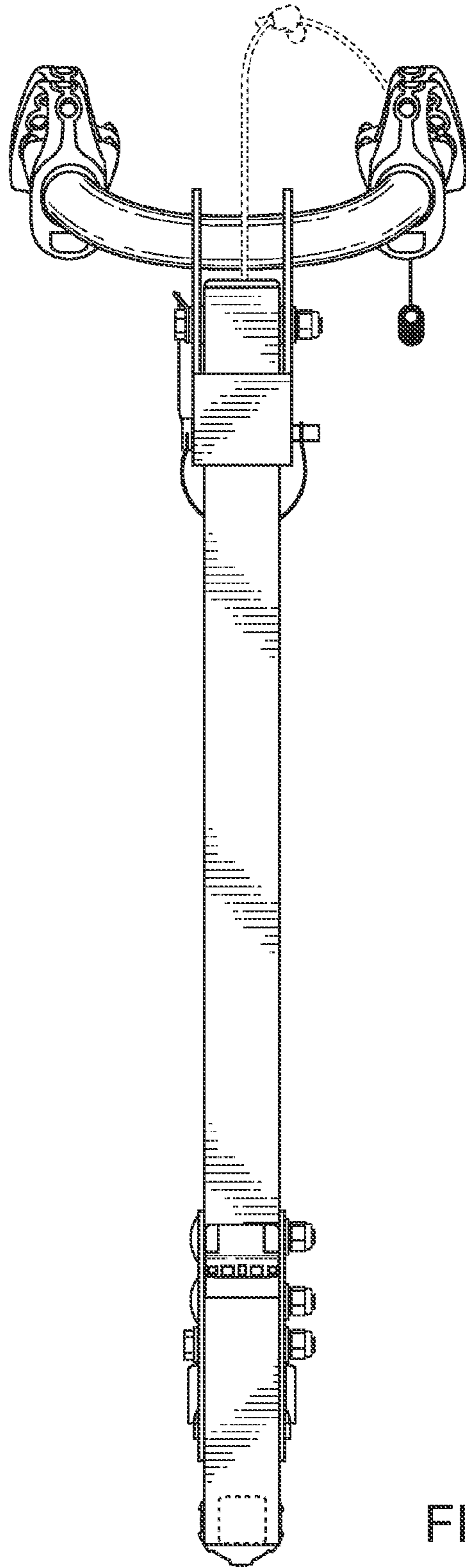


FIG. 12

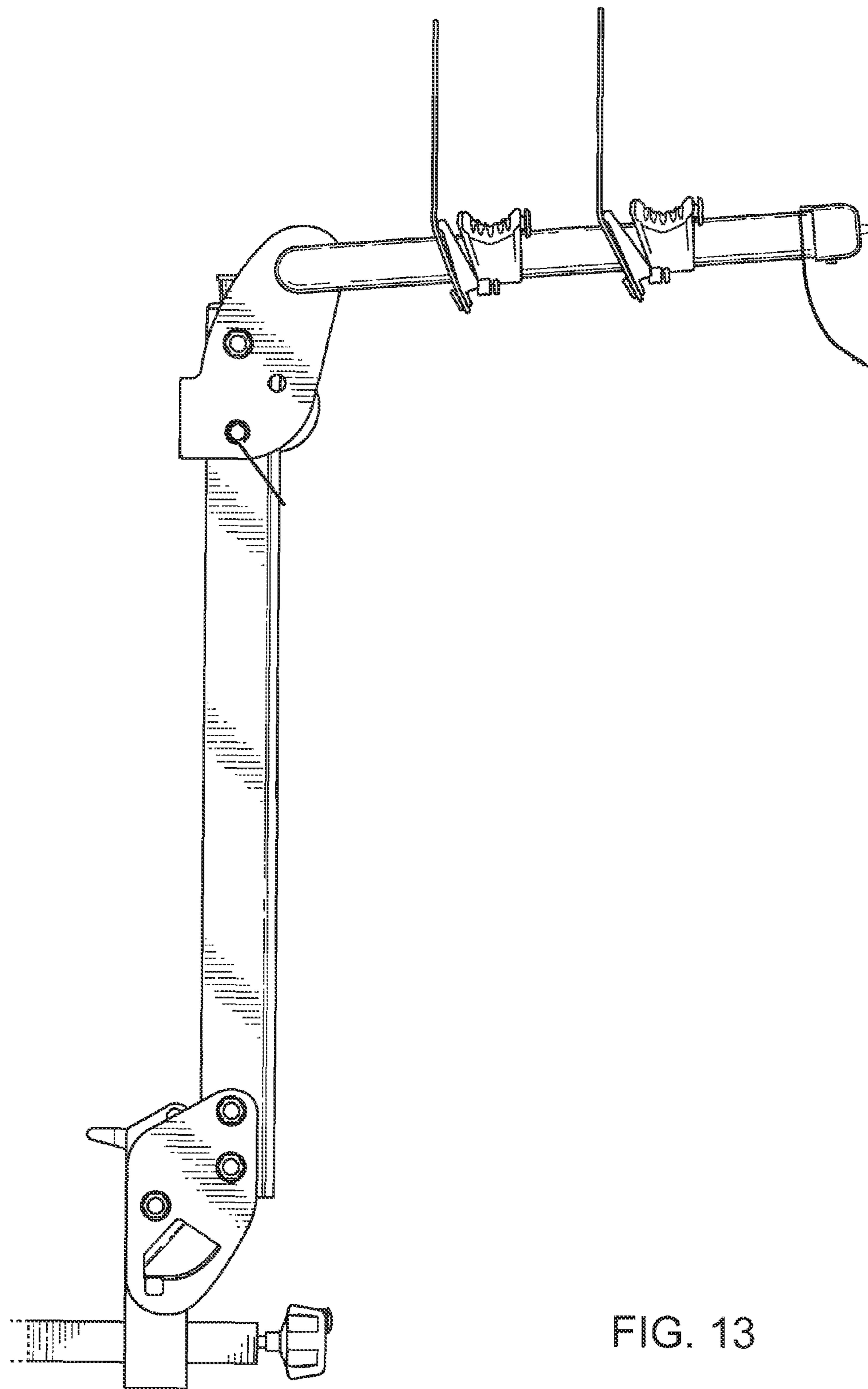


FIG. 13

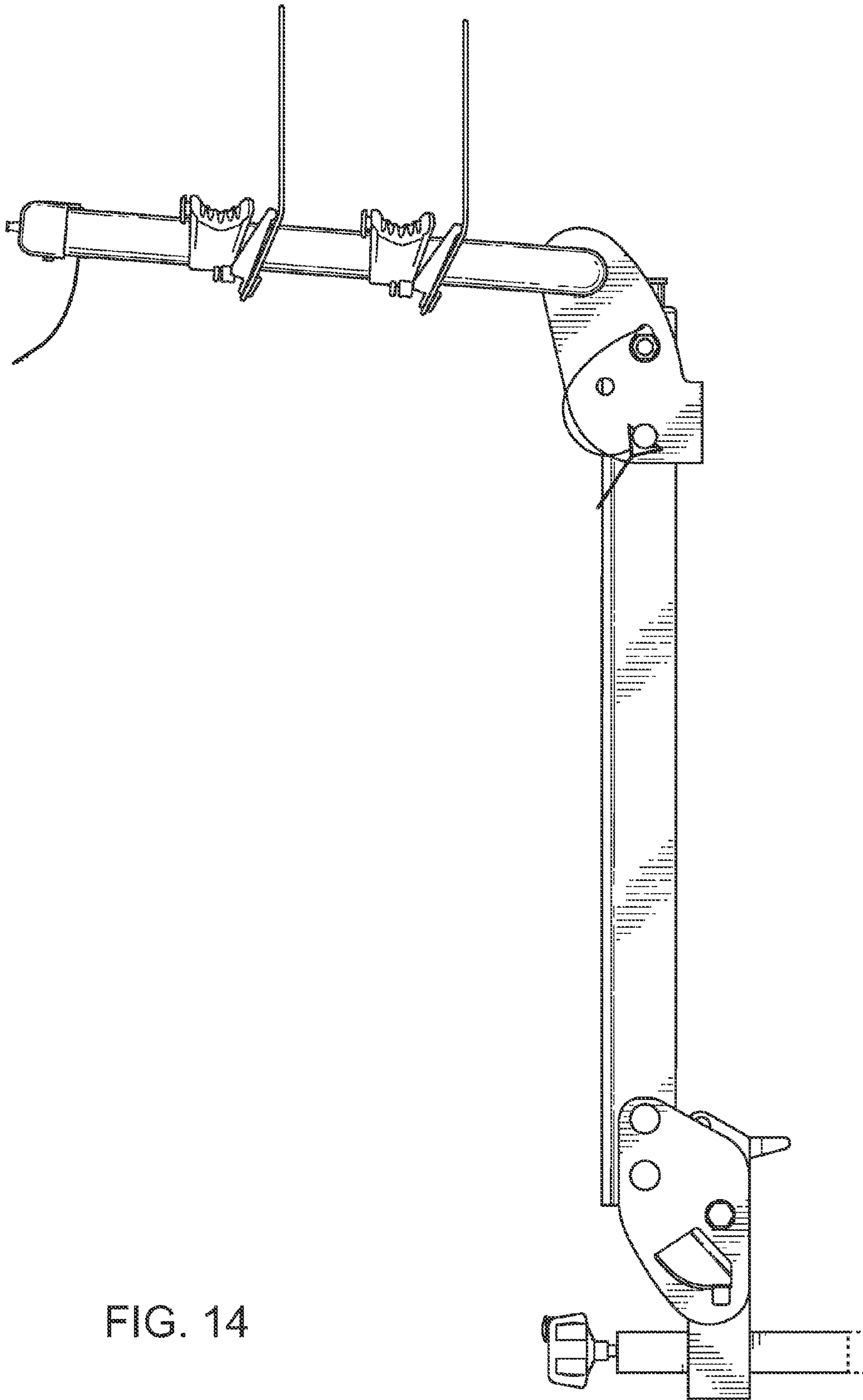


FIG. 14

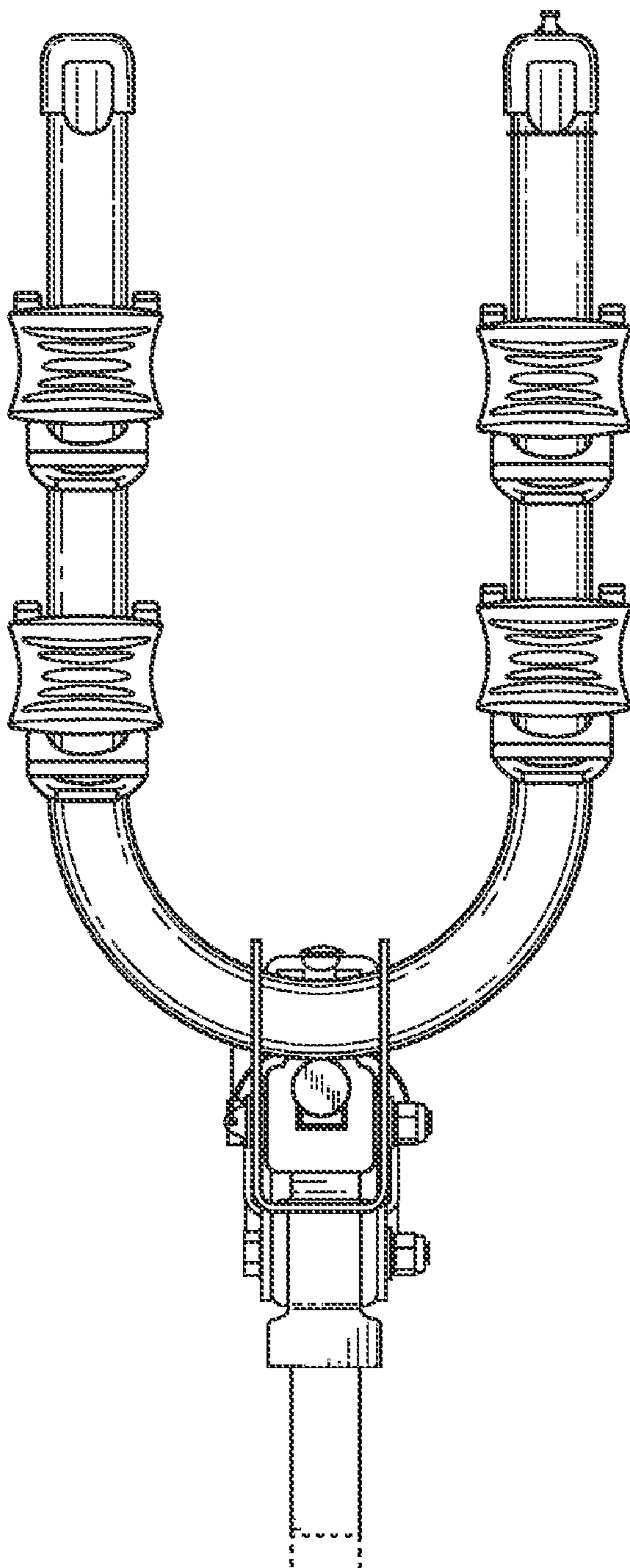


FIG. 15

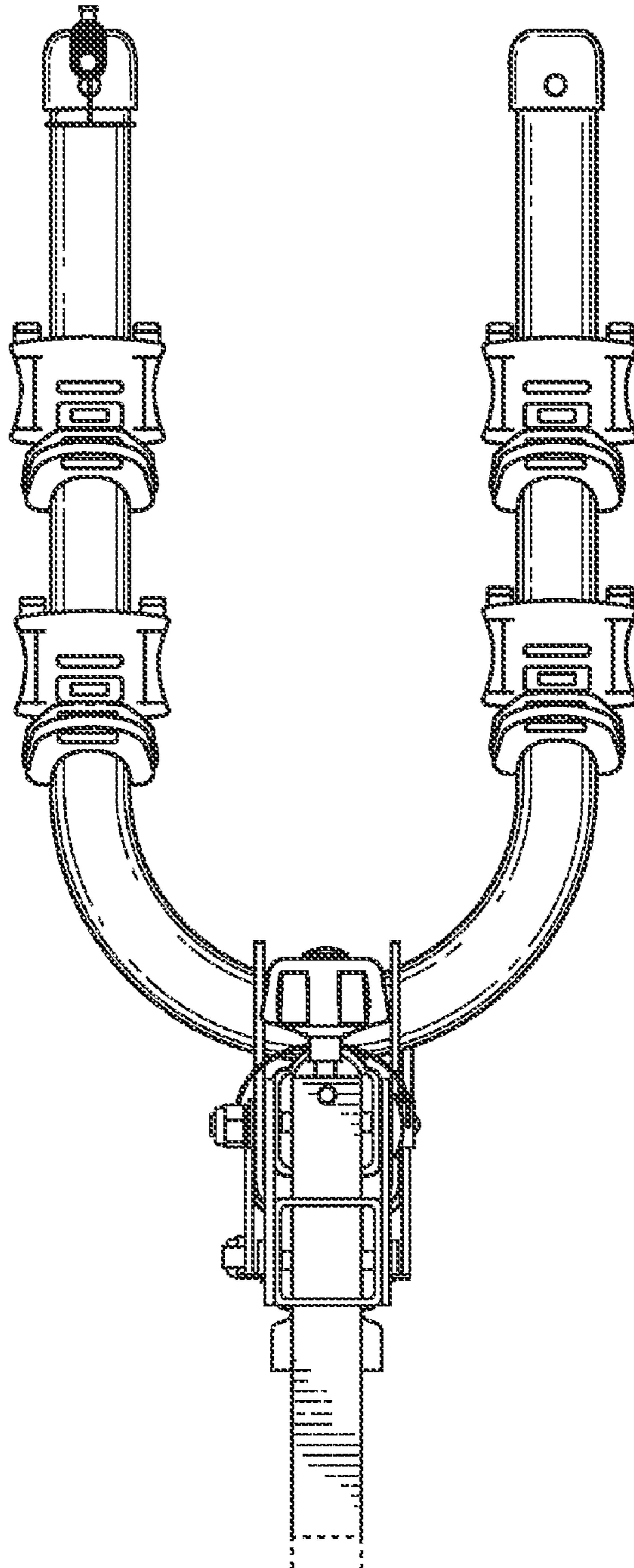


FIG. 16

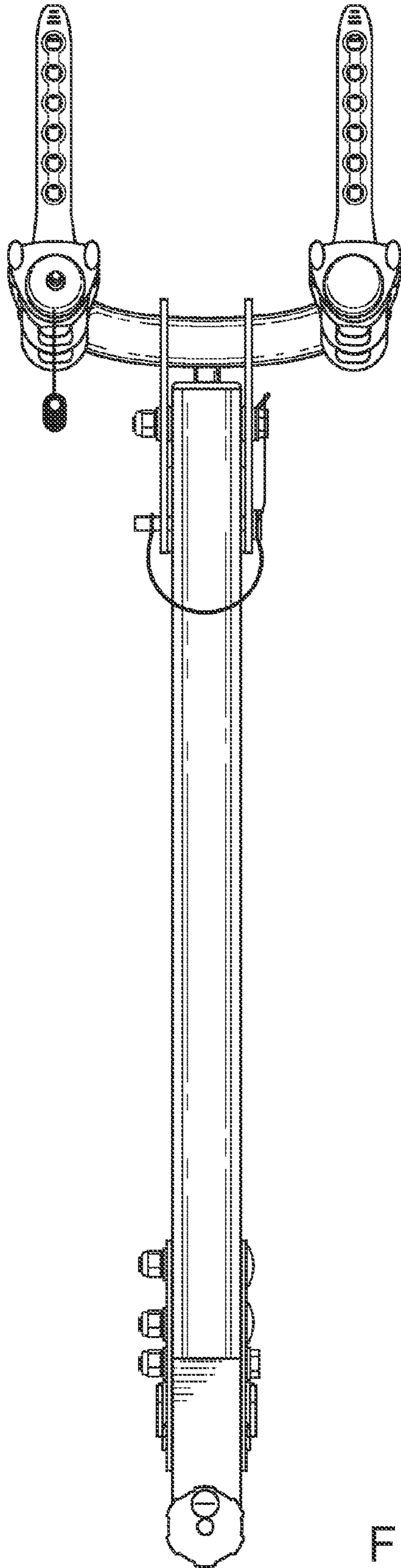


FIG. 17

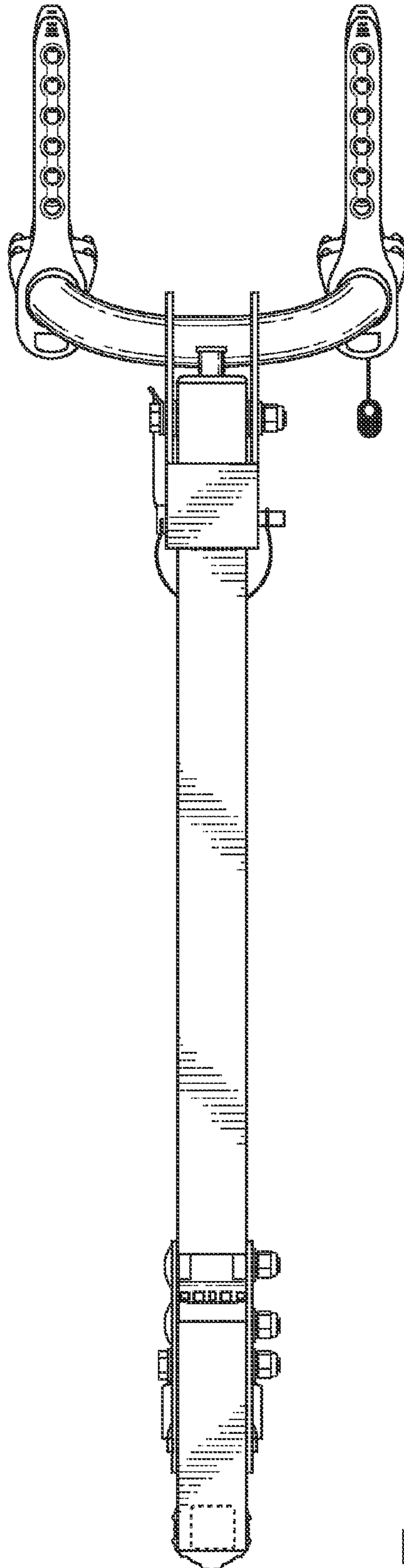


FIG. 18