



US00D625245S

(12) **United States Design Patent**  
**Hans et al.**

(10) **Patent No.:** **US D625,245 S**

(45) **Date of Patent:** **\*\* Oct. 12, 2010**

(54) **WHEEL OR WHEEL COVER**

(75) Inventors: **Bernhard Hans**, Kirchberg (DE);  
**Daniel Krisch**, Schwaikheim (DE)

(73) Assignee: **Daimler AG**, Stuttgart (DE)

(\*\*) Term: **14 Years**

(21) Appl. No.: **29/363,206**

(22) Filed: **Jun. 7, 2010**

(30) **Foreign Application Priority Data**

Feb. 17, 2010 (EM) ..... 001670894-0002

(51) **LOC (9) Cl.** ..... **12-16**

(52) **U.S. Cl.** ..... **D12/211**

(58) **Field of Classification Search** ..... D12/204-213;  
301/37.101, 64.101, 65, 64.201  
See application file for complete search history.

(56) **References Cited**

**U.S. PATENT DOCUMENTS**

- D474,440 S \* 5/2003 Oh ..... D12/211
- D480,036 S \* 9/2003 Laengerer ..... D12/211
- D506,172 S \* 6/2005 Pfeiffer ..... D12/211
- D516,988 S \* 3/2006 Laengerer ..... D12/211

- D524,711 S \* 7/2006 Marji ..... D12/209
- D525,932 S \* 8/2006 Hettler ..... D12/211
- D546,263 S \* 7/2007 Hernandez ..... D12/211
- D580,336 S \* 11/2008 Chung ..... D12/211
- D585,353 S \* 1/2009 Scheu ..... D12/211
- D597,014 S \* 7/2009 Nissl ..... D12/211
- D604,685 S \* 11/2009 Zhou et al. .... D12/211
- D610,064 S \* 2/2010 Dilber et al. .... D12/211
- D617,723 S \* 6/2010 Zhao ..... D12/211

\* cited by examiner

*Primary Examiner*—Stacia Cadmus

(74) *Attorney, Agent, or Firm*—Crowell & Moring LLP

(57) **CLAIM**

The ornamental design for a wheel or wheel cover, as shown and described.

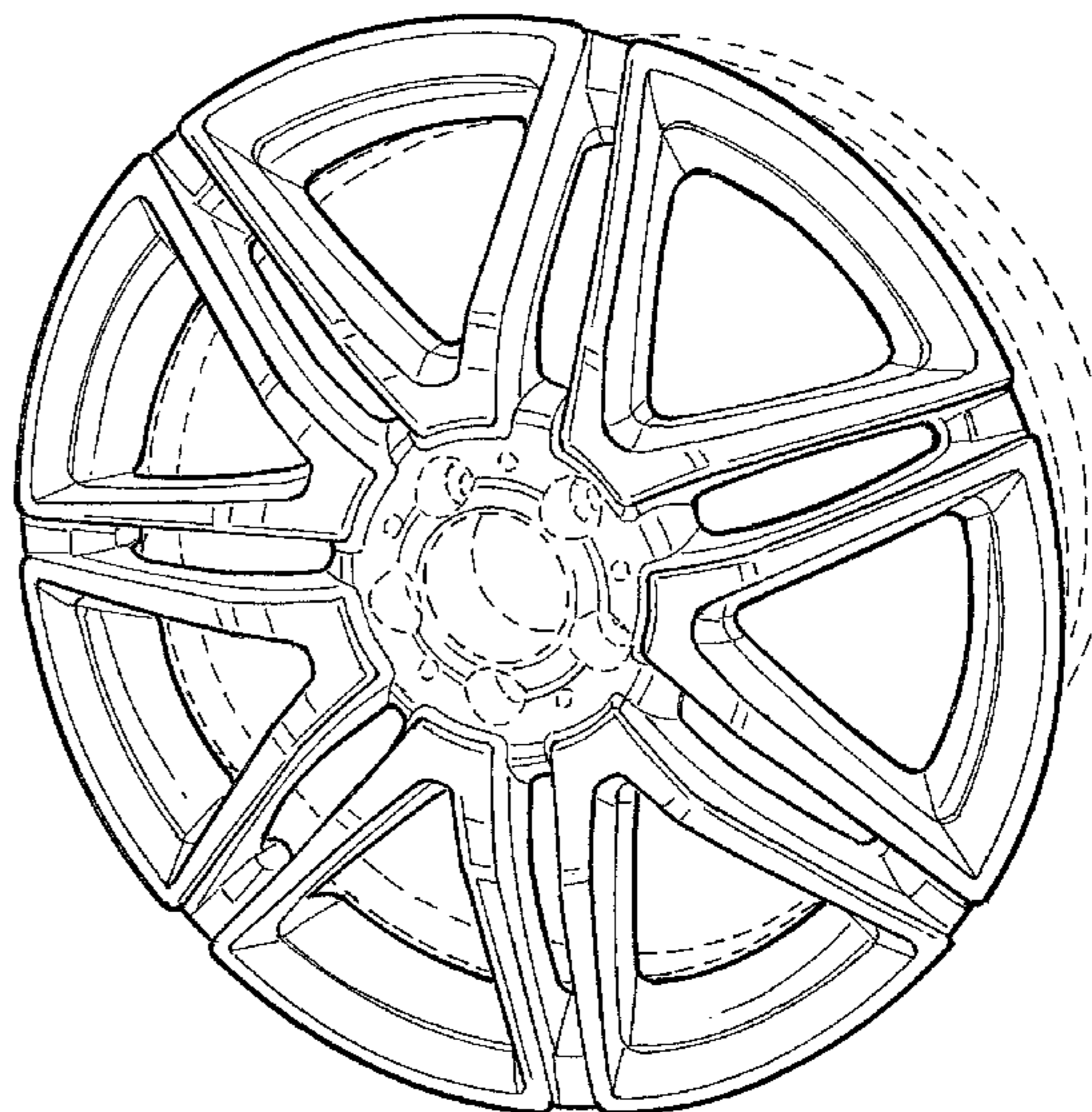
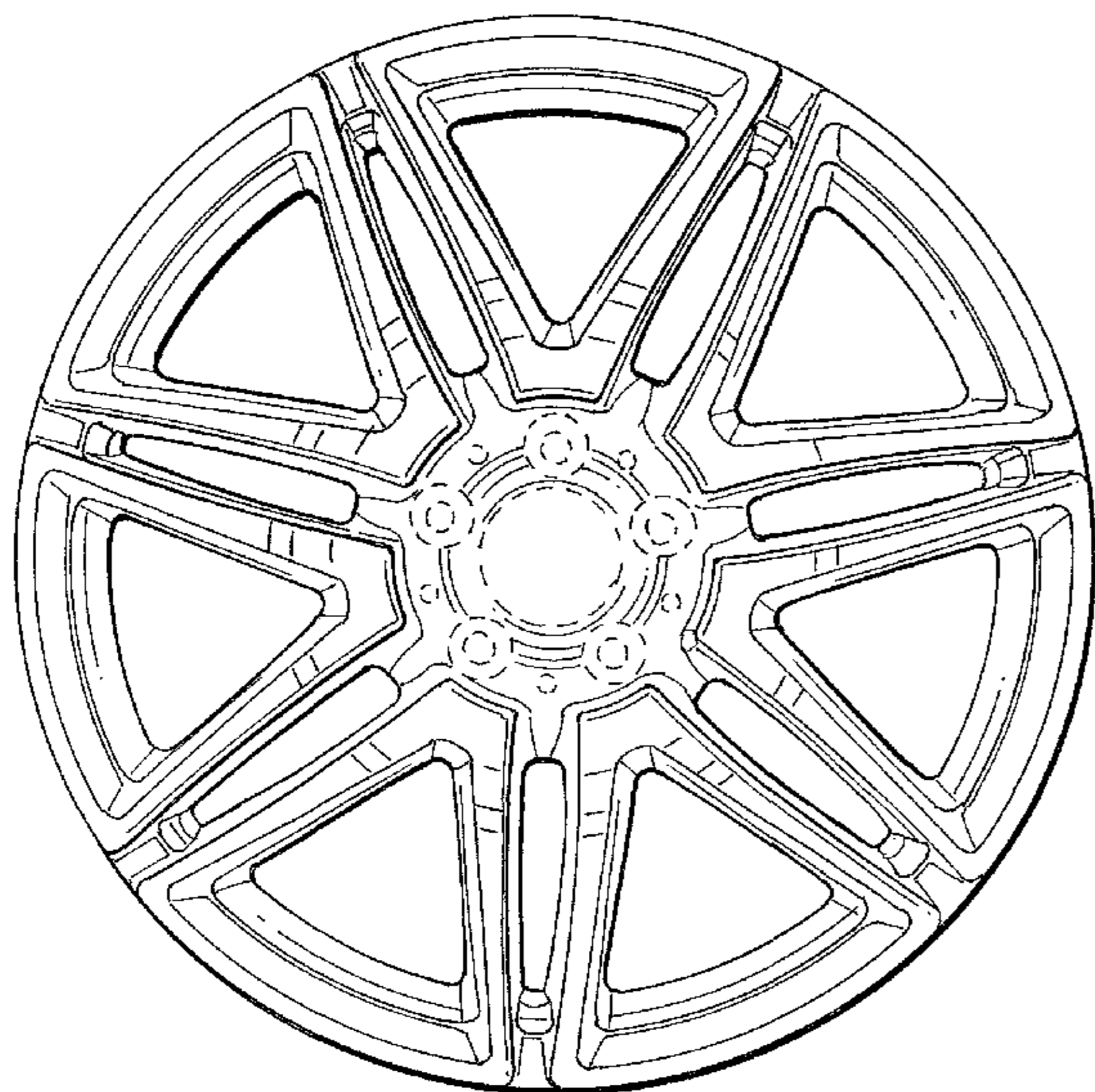
**DESCRIPTION**

FIG. 1 is a front view of a wheel or wheel cover according to our design; and,

FIG. 2 is a perspective view thereof.

The broken line showing of the rear of the rim and the bolt holes and center hole in the central hub area is included for the purpose of illustrating environment and forms no part of the claimed design.

**1 Claim, 1 Drawing Sheet**



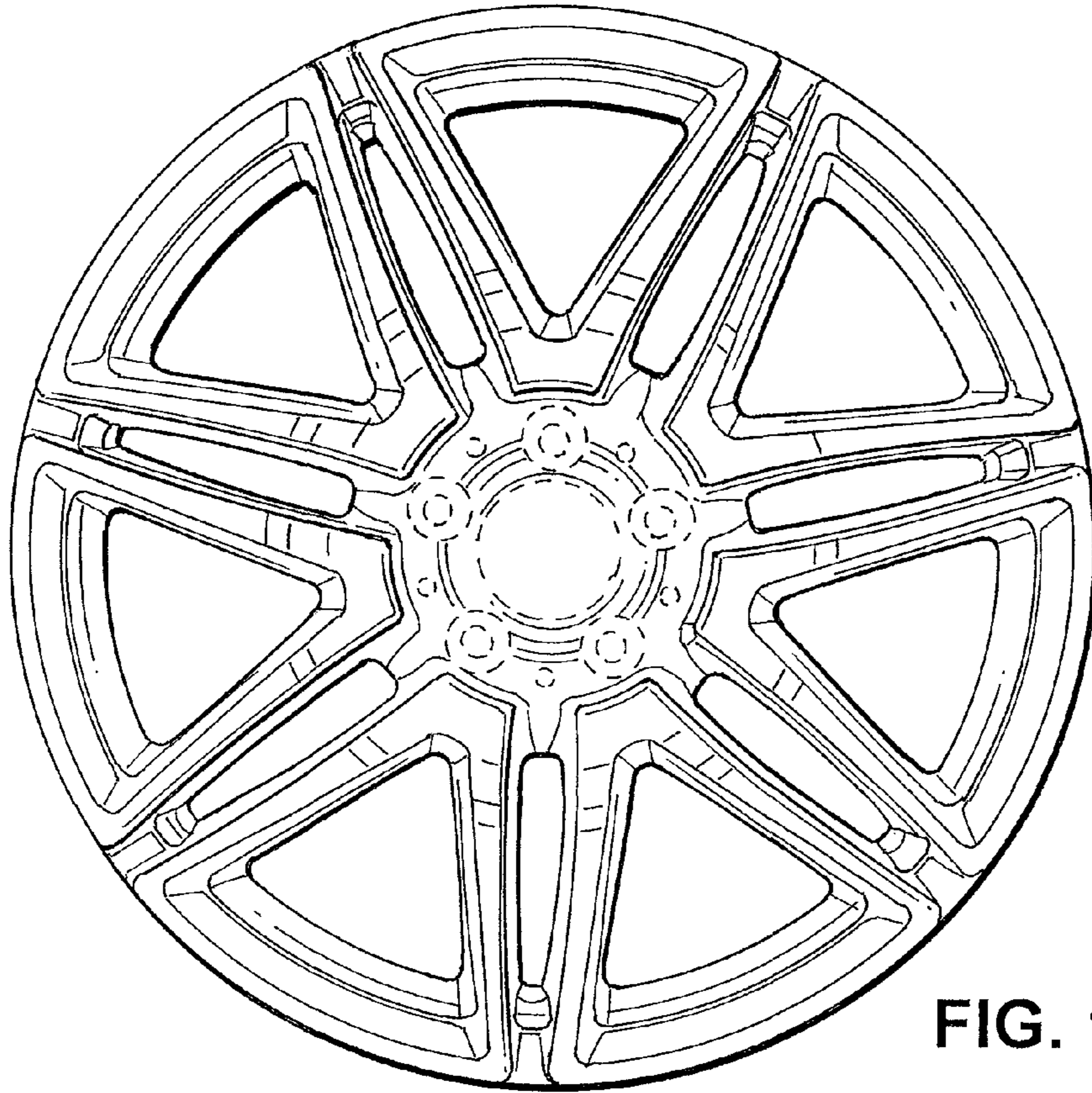


FIG. 1

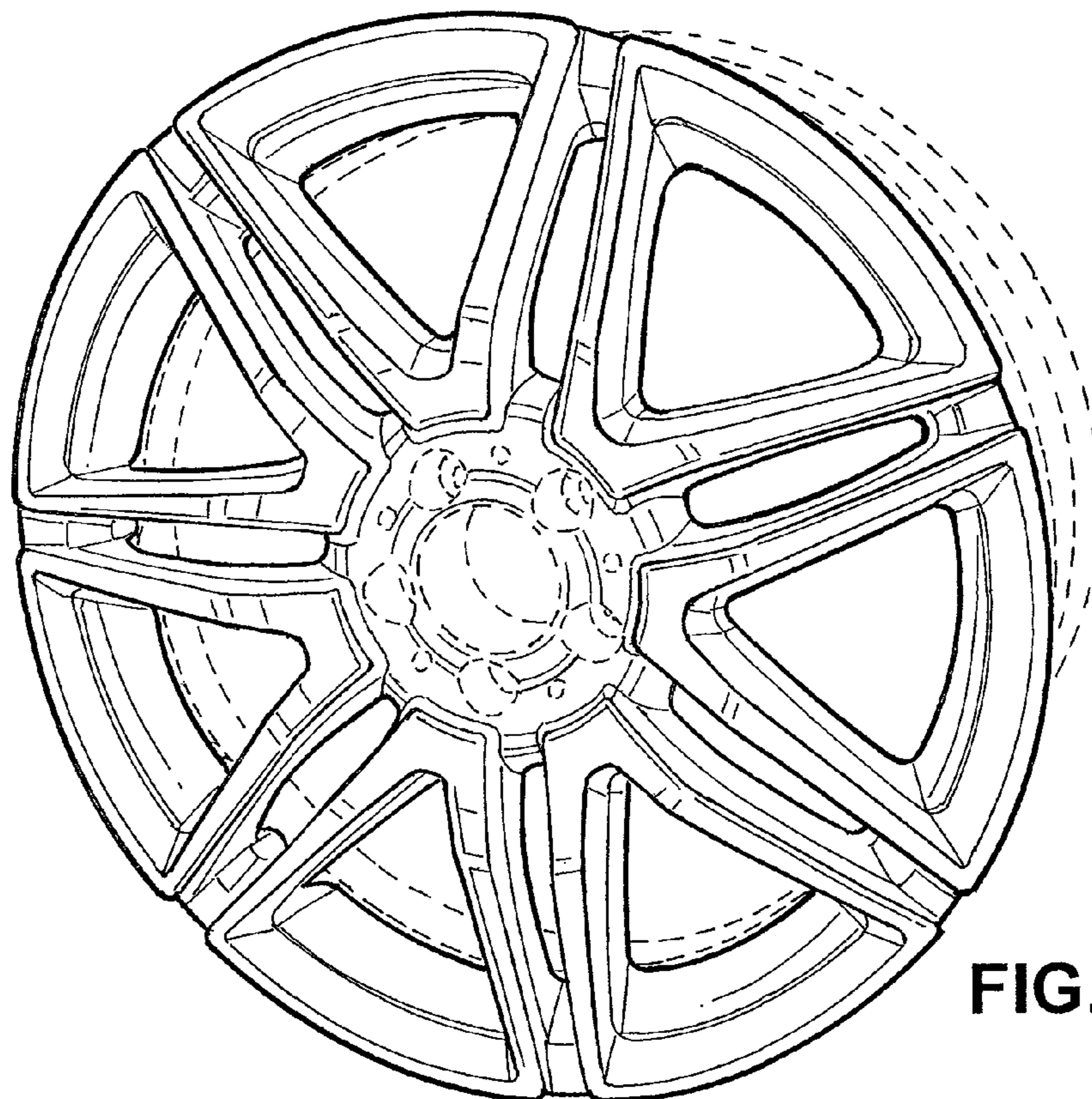


FIG. 2